

HOGGI[®]



CE

SUPRA
Active-Wheelchair
for kids & adolescents
Spare parts catalogue

GB

HOGGI[®] - *Partnering together to mobilise kids*

Model identification

When ordering spare parts, please always indicate the following basic data to ensure smooth delivery:

1) Serial number of the product

2) Frame width

3) Frame colour

Article numbers which have (-xxx) at the end must be completed with a code number for the frame color.

Frame colours	Colour code
Orange	(-023)
White	(-022)
Black	(-001)

Upholstery colours	Colour code
Nylon 7575 Supratex, black	(-320)
Orest check black	(-322)

Accessories colou	Colour code
Orest check black	(-322)

Index	Page
Model identification _____	4
Component group overview _____	6
Spare parts _____	7
Spare parts for accessories _____	42

Label:

Modellidentifikation



A = Frame variation / Frame size



B = Seat width



C = Colour code



D = Load capacity



E = Serial number

Index

Component group or accessories	Page
Component group overview	6
Main frame, lateral frame, stabiliser bar	7
Main frame SUPRA-S	8
Main frame SUPRA-light	9
Seat cover	10
Seat panel	11
Axle tube, rear frame	12
Front fork retainer	13
Castor fork	14
Backrest bearing	15
Backrest frame SUPRA light, backrest fixed	16
Backrest frame SUPRA, backrest fixed	17
Back rest lock	18
Adaptable back cover	19
Backrest panel trough-shaped	20
Telescopic tubes for back rest height adjustment	21
Single push handle, for back rest height adjustment	22
Push bar (bottom part)	23
High push handles	24
Push-bar adapter	25
One-hand push bar with S-shaped handle	26
Foot rest, fixation set for short lower leg length,	27
Foot rest with persistent swingaway foot board	28
Foot rest with swingaway single foot boards	29

Index

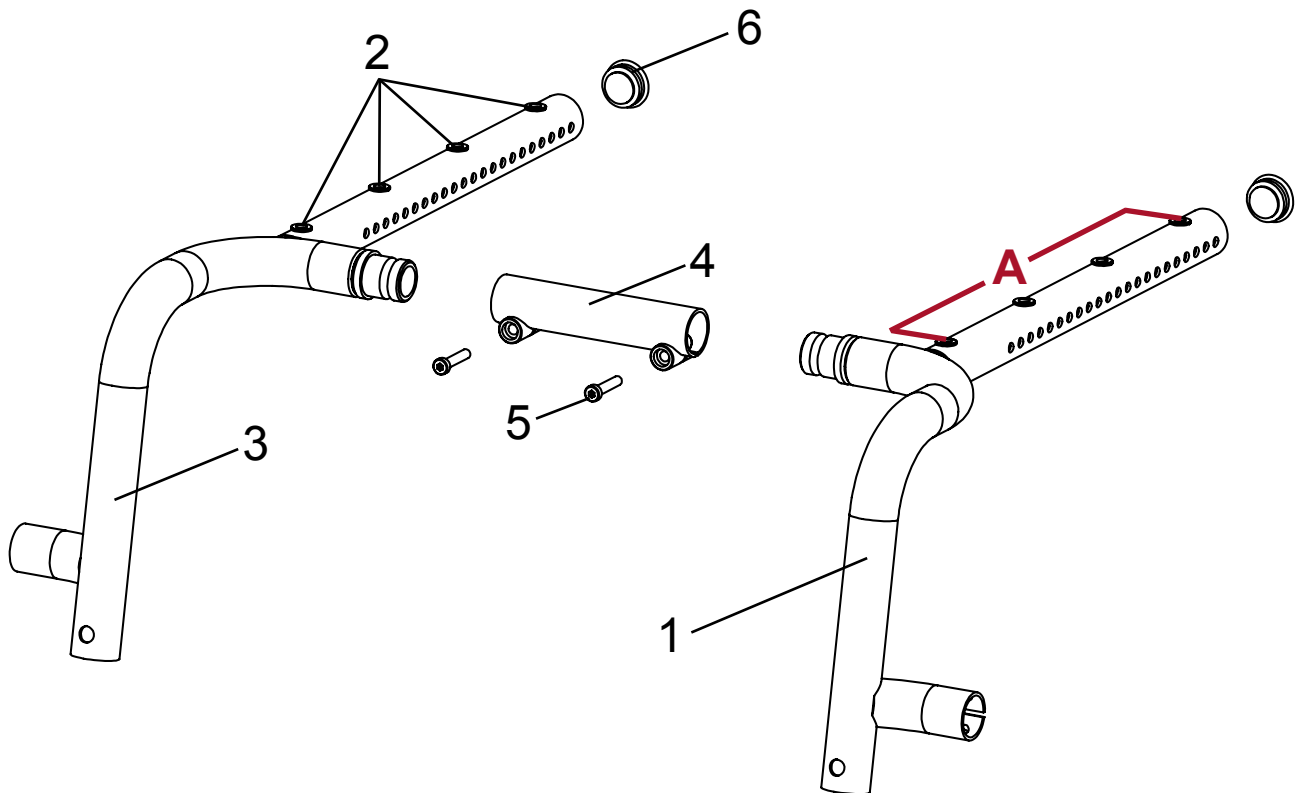
Component group or accessories	Page
Cover for clothes	30
Spoke guard	31
Spoke guard with integrated brake system	32
Spoke guard (first version)	33
Brake lever	34
Brake level support	35
Clamping unit, brake cable SUPRA	36
HOGGI light brakes	37
Front wheels	38
Rear wheels	39
Rear wheels with drumbrakes	40
Push-rim cover	41
Calf protector	42
Anti-tip, swing away	43
Tip assist	44
Seat cushion	45
Spoke guard	46
Your notes	47

Component group overview



Pos	Component group	Page
1	SUPRA frame size 1 SUPRA frame size 2 SUPRA frame size 3 SUPRA - S frame size 2 SUPRA - S frame size 3 SUPRA - light	7 7 7 8 8 9
2	Seat cushion	45
2.1	Seat cover / seat panel	10
3	Rear frame, axle tube	12
4	Front fork retainer	13
5	Castor forks	14
6	Backrest bearing	15
7	Rear frame / Rear frame fixed	16 / 17
8	Backrest cover with Velcro fasteners / Backrest panel	19
9	Foot rests	27
10	Spoke guard / Cover for clothes	30
11	Brakes	34
12	Front wheels	38
13	Rear wheels	39
14	Push rim	41
15	Anti-tip	43
16	Telescopic tubes/Push handle /Push bar	20 -25

Spare parts

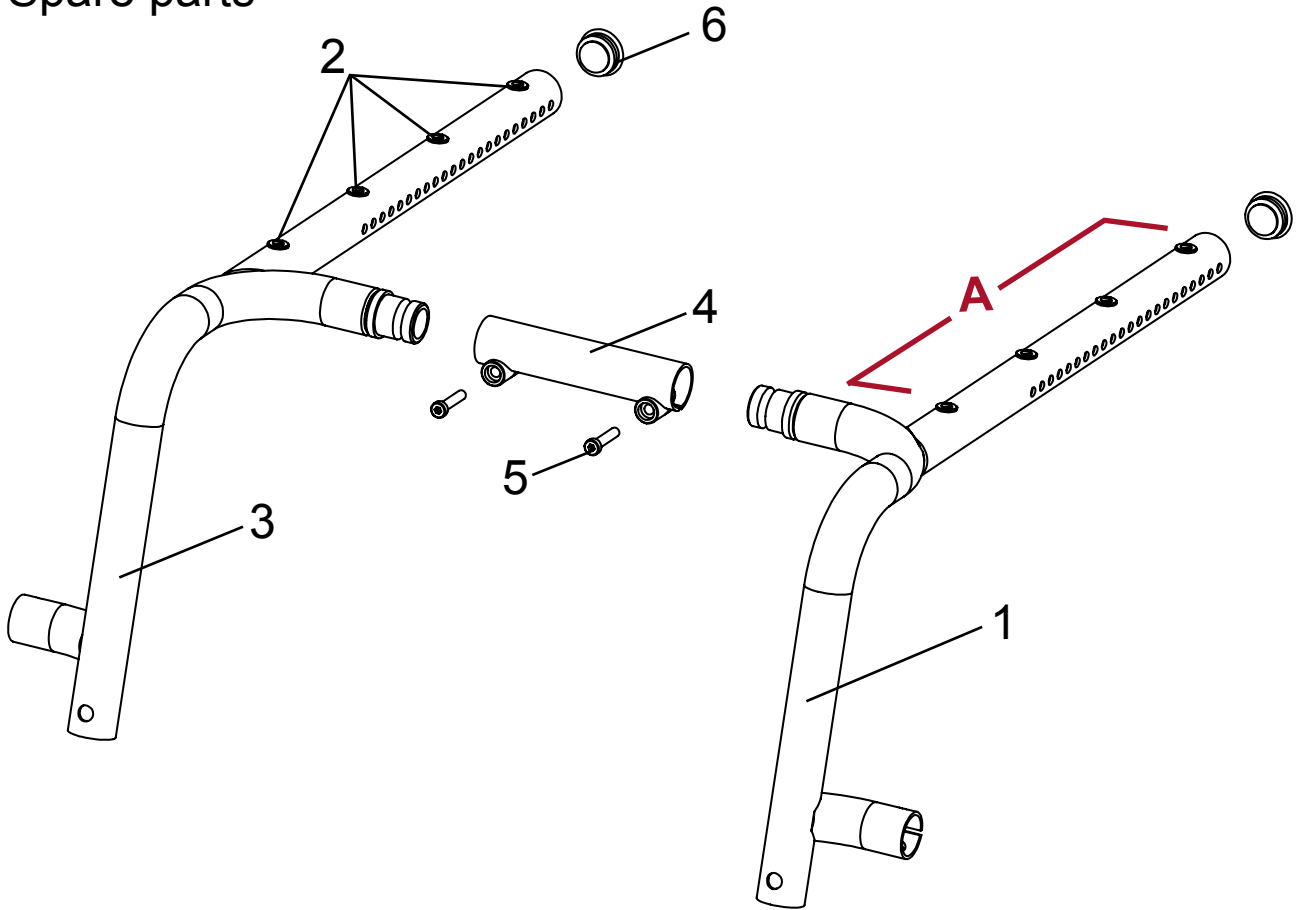


Pos	Article number	Article description	Quantity	Unit
1-6	3251-10SBE-xxx	Main frame SUPRA, size 1 (SW 24 - 40)	1	Pc.
	3252-10SBE-xxx	Main frame SUPRA, size 2 (SW 24 - 40)	1	Pc.
	3253-10SBE-xxx	Main frame SUPRA, size 3 (SW 24 - 40)	1	Pc.
1+2	3251-1110E-xxx	Lateral frame, left, size 1	1	Pc.
	3252-1110E-xxx	Lateral frame, left, size 2	1	Pc.
	3253-1110E-xxx	Lateral frame, left, size 3	1	Pc.
2+3	3251-1120E-xxx	Lateral frame, right, size 1	1	Pc.
	3253-1120E-xxx	Lateral frame, right, size 2	1	Pc.
	3252-1120E-xxx	Lateral frame, right, size 3	1	Pc.
4+5	3251-12SBE-xxx	Stabiliser, complete	1	Pc.
4	3251-12SB-xxx	Stabiliser	1	Pc.
5	1022-0630	Hexagon socket head cap screw zp DIN/ISO 7984 M6x30	2	Pc.
6	1141-0016	Lamellenstopfen	2	Pc.

Please mention seat width (SW) and colour when you order!

A = ca. 30 cm = Size 1
A = ca. 34 cm = Size 2
A = ca. 40 cm = Size 3

Spare parts

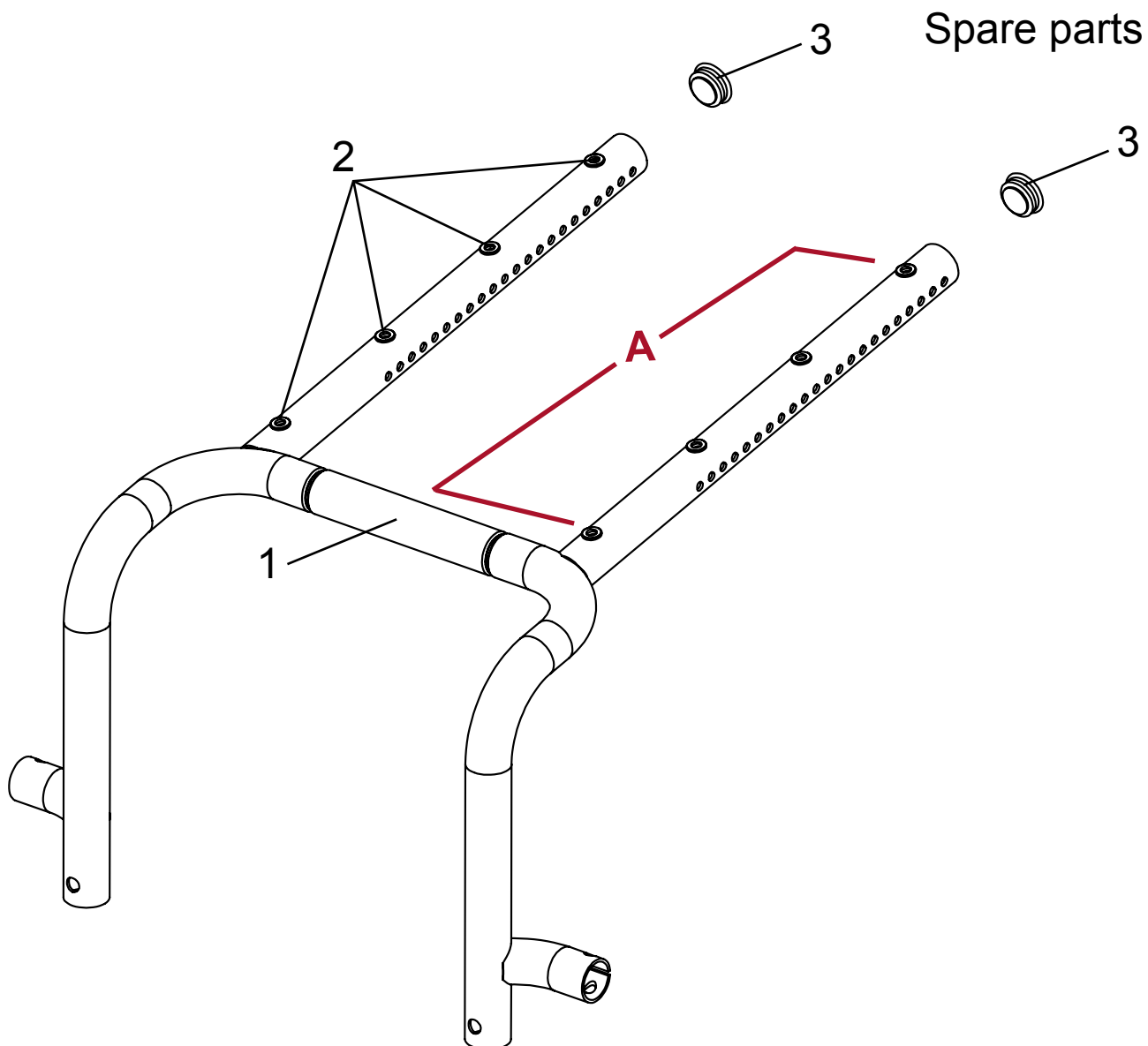


Pos	Article number	Article description	Quantity	Unit
1-6	3255-10SBE-xxx	Main frame SUPRA-S, size 2 (SW 30 - 40)	1	Pc.
1-6	3256-10SBE-xxx	Main frame SUPRA-S, size 3 (SW 30 - 40)	1	Pc.
1+2	3255-1110E-xxx	Lateral frame without abduction, left, size 2	1	Pc.
	3256-1110E-xxx	Lateral frame without abduction, left, size 3	1	Pc.
2+3	3255-1120E-xxx	Lateral frame without abduction, right, size 2	1	Pc.
	3256-1120E-xxx	Lateral frame without abduction, right, size 3	1	Pc.
4+5	3251-12SBE-xxx	Stabiliser*	1	Pc.
4	3251-12SB-xxx	Stabiliser	1	Pc.
5	1022-0630	Hexagon socket head cap screw zp DIN/ISO 7984 M6x30	2	Pc.
6	1141-0016	Ribbed insert	2	Pc.

*Please subtract the value 6 from the seatwidth (SW) to get the size for the SUPRA-S stabiliser.

A = ca. 34 cm = Size 2

A = ca. 40 cm = Size 3



Spare parts

Pos	Article number	Article description	Quantity	Unit
1-2	3257-1000	Main frame SUPRA-light, size 1 (SW 24 - 40)	1	Pc.
1-2	3258-1000	Main frame SUPRA-light, size 2 (SW 24 - 40)	1	Pc.
1-2	3259-1000	Main frame SUPRA-light, size 3 (SW 24 - 40)	1	Pc.
3	1141-0016	Ribbed insert	2	Pc.

Please mention seat width (SW) and colour when you order!

A = ca. 30 cm = Size 1
 A = ca. 34 cm = Size 2
 A = ca. 40 cm = Size 3

Spare parts

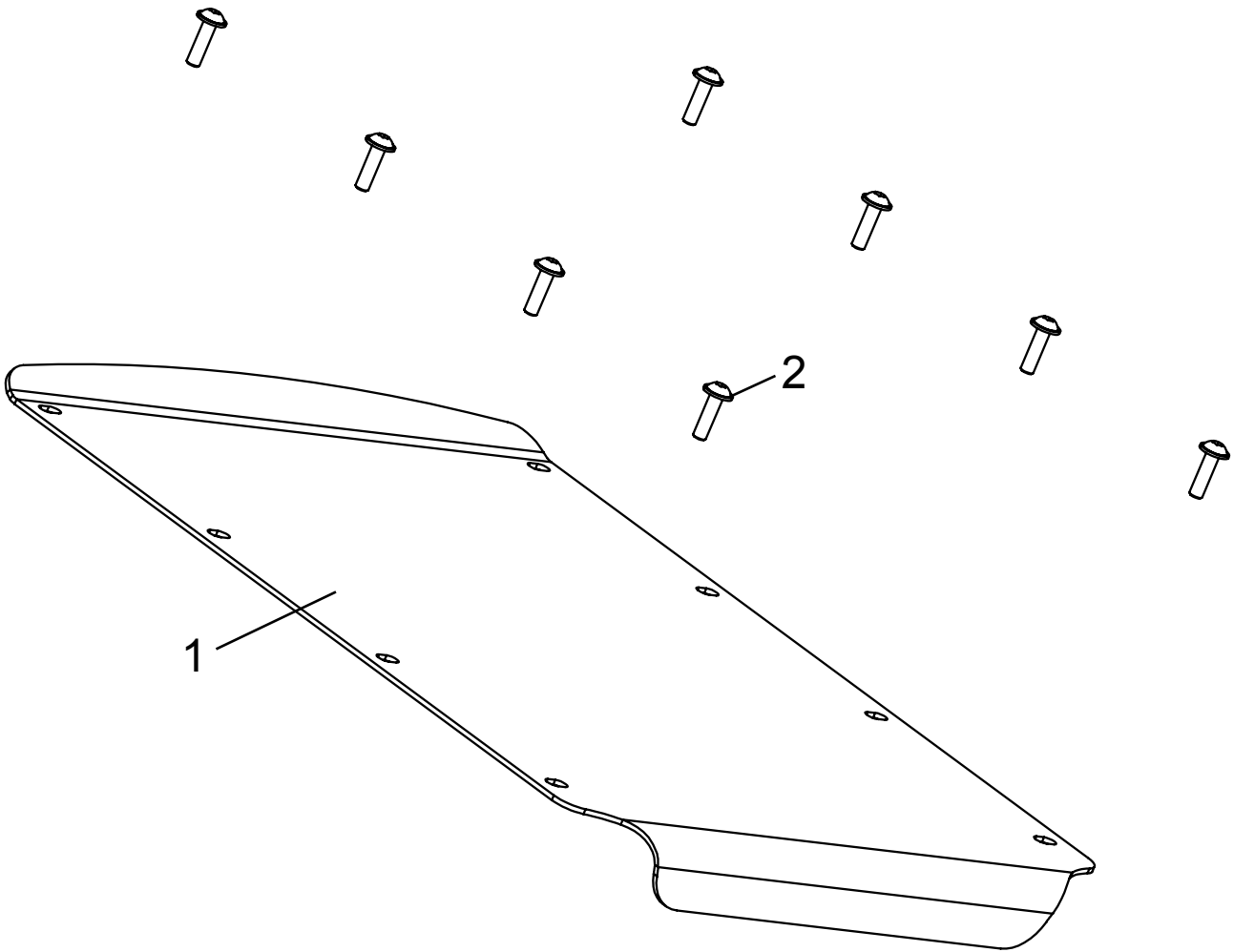


Pos	Article number	Article description	Quantity	Unit
1-3	3251-31SBE-320	Seat cover, size 1, Seat width: standard 24 - 30 cm	1	Pc.
	3251-31SBE-320	Seat cover, size 1, Seat width: custom made 32 - 40 cm	1	Pc.
	3252-31SBE-320	Seat cover, size 2, Seat width: standard 28 - 34 cm	1	Pc.
	3252-31SBE-320	Seat cover, size 2, Seat width: standard 24 - 30 cm 24, 26, 36 - 40 cm	1	Pc.
	3253-31SBE-320	Seat cover, size 3, Seat width: standard 32 - 40 cm	1	Pc.
	3253-31SBE-320	Seat cover, size 3, Seat width: custom made 24 - 30 cm	1	Pc.
1	3251-32X0-320	Seat cover with pocket; Nylon black, size 1	1	Pc.
	3252-32X0-320	Seat cover with pocket; Nylon black, size 2	1	Pc.
	3253-32X0-320	Seat cover with pocket; Nylon black, size 3	1	Pc.
2	3251-3011-006	Cord edge for seat, size 1, anodised	2	Pc.
	3251-3012-006	Cord edge for seat, size 2, anodised	2	Pc.
	3251-3013-006	Cord edge for seat, size 3, anodised	2	Pc.
3	1030-0514	Button head socket screw with flange zp M5x14 (Size 3 with 10 pieces)	8	Pc.

X :

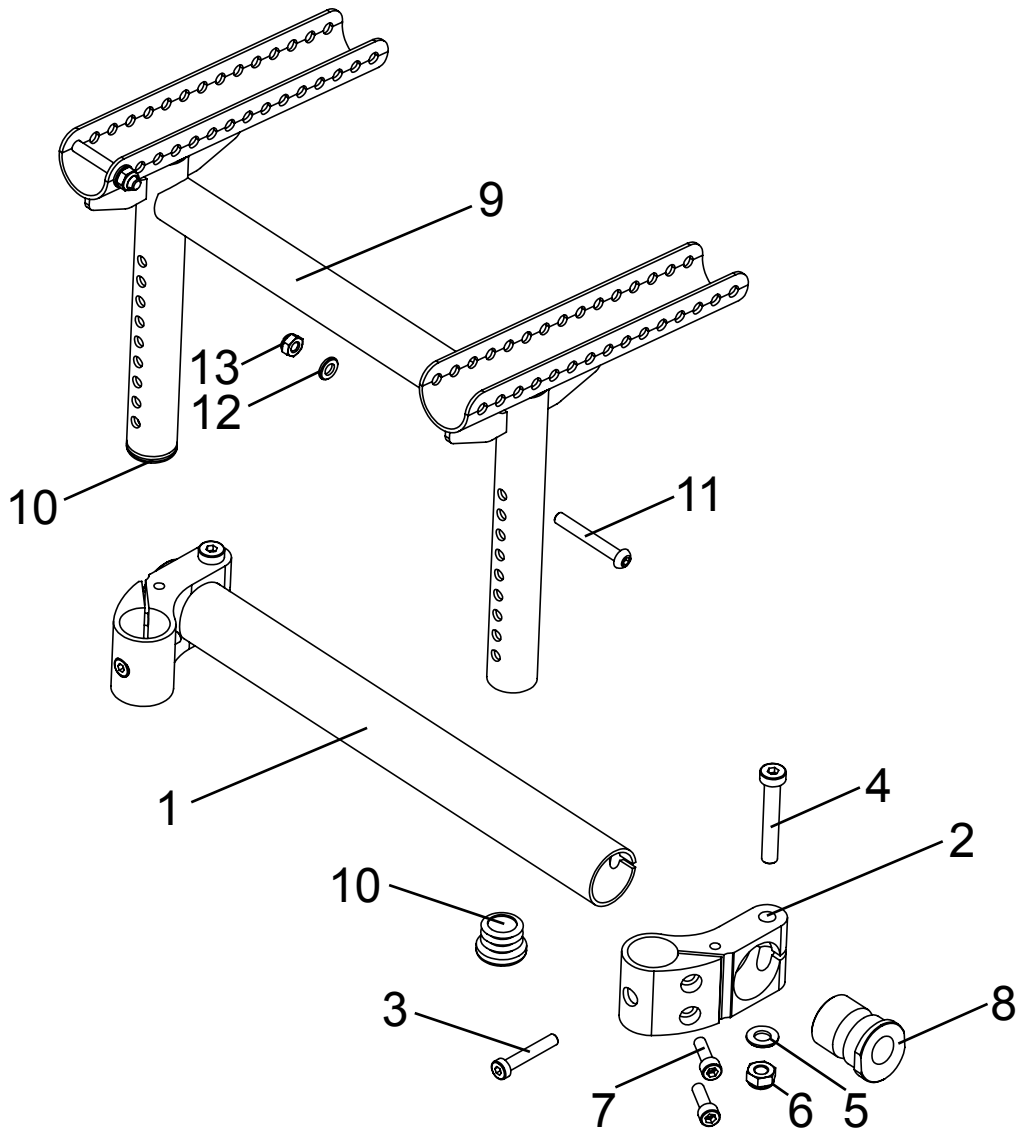
SW 24 = 1, SW 26 = 2, SW 28 = 3, SW 30 = 4, SW 32 = 5, SW 34 = 6, SW 36 = 7, SW 38 = 8, SW 40 = 9

Spare parts



Pos	Article number	Article description	Quantity	Unit
1-2	3251-34SBE	Seat panel size 1 (SW 24 - 30)	1	Pc.
	3252-34SBE	Seat panel size 2 (SW 28 - 34)	1	Pc.
	3253-34SBE	Seat panel size 3 (SW 32 - 40)	1	Pc.
1	3251-35SB-001	Seat panel size 1, black	1	Pc.
	3252-35SB-001	Seat panel size 2, black	1	Pc.
	3253-35SB-001	Seat panel size 3, black	1	Pc.
2	1030-0514	Button head socket screw with flange zp M5x14 (Size 3 with 10 pieces)	8	Pc.

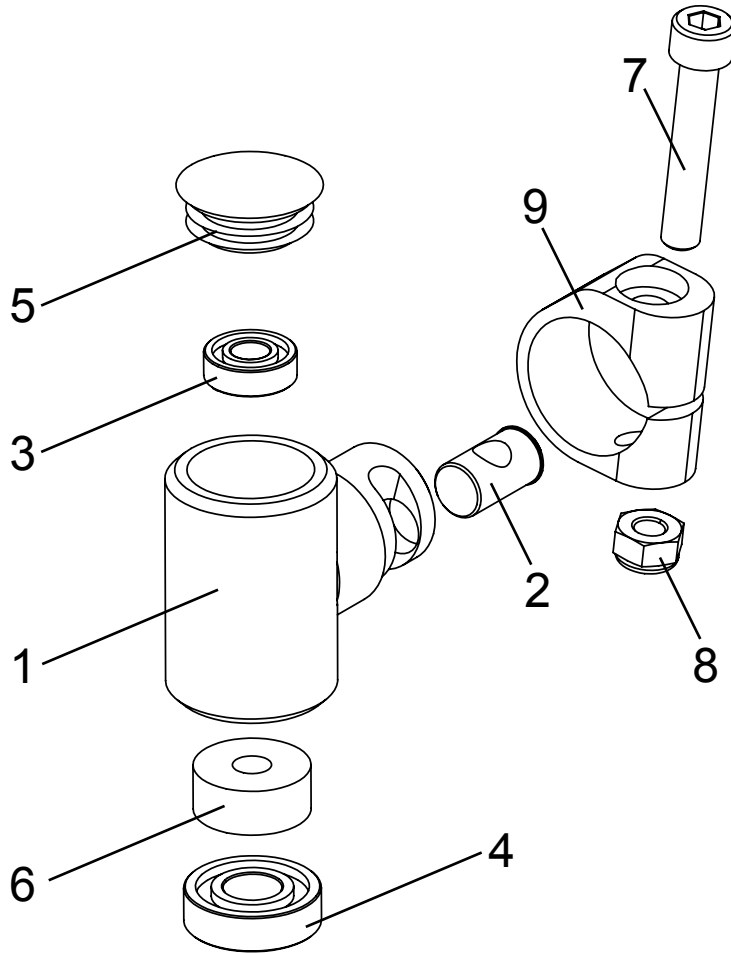
Spare parts



Pos	Article number	Article description	Quantity	Unit
1	3240-14SB-006	Axle tube*	1	Pc.
2	3251-1411-006	Binder	2	Pc.
3	1022-0635	Cylinder head screw DIN 7984 M6x35	2	Pc.
4	1022-0850	Cylinder head screw DIN 7984 M6x50	2	Pc.
5	1051-0008	Washer A8,4 zp DIN/ISO 125 A8,4	2	Pc.
6	1042-0008	Hexagon nut self-locking zp DIN/ISO 985 M8	2	Pc.
7	1021-0620	Hexagon socket head cap screw zp DIN/ISO 912 M6x20	4	Pc.
8	3240-1372-006	Adapter housing 3°, anodised	2	Pc.
	3240-1352-006	Adapter housing 6°, anodised	2	Pc.
	3240-1362-006	Adapter housing 9°, anodised	2	Pc.
9-13	3251-16SB	Rear axle frame, complete	1	Pc.
9	3251-16SB-006	Rear axle frame, anodised	1	Pc.
10	1141-0015	Ribbed insert GL 25x1-2.5	2	Pc.
11	1029-0645	Button head socket screw zp DIN/ISO 7380 M6x45	2	Pc.
12	1051-0006	Washer A6,4 zp DIN/ISO 125 A6,4	2	Pc.
13	1042-0006	Hexagon nut self-locking zp DIN/ISO 985 M6	2	Pc.

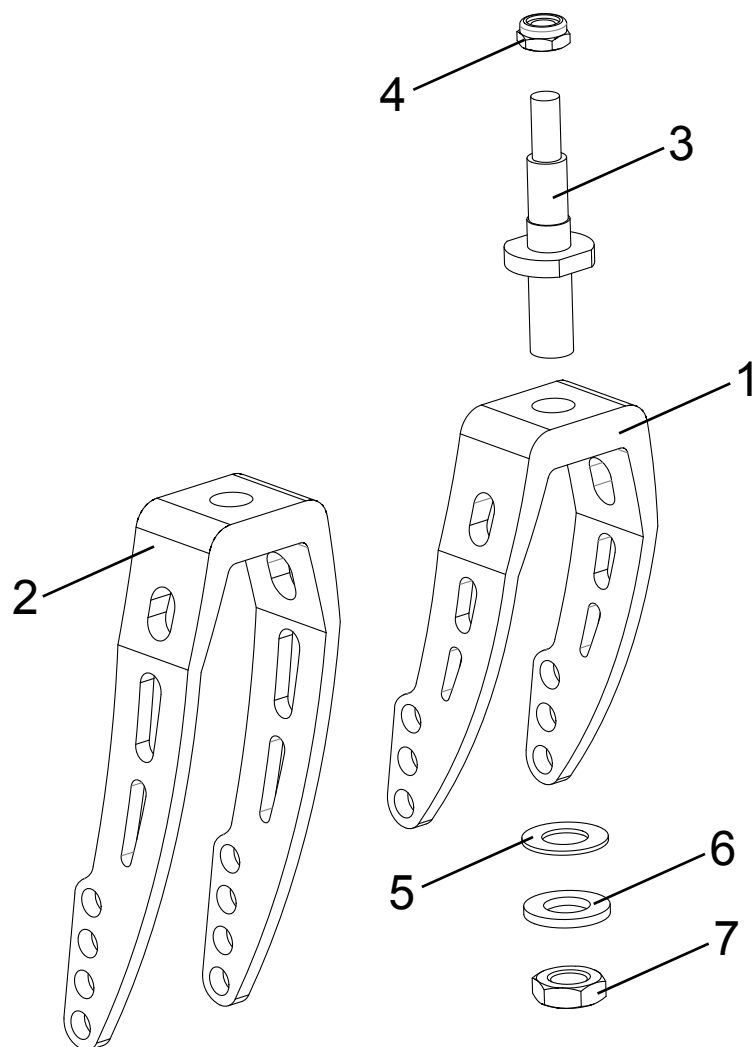
*Please subtract the value 2 from the seatwidth (SW) to get the length for the SUPRA axle tube.

Spare parts

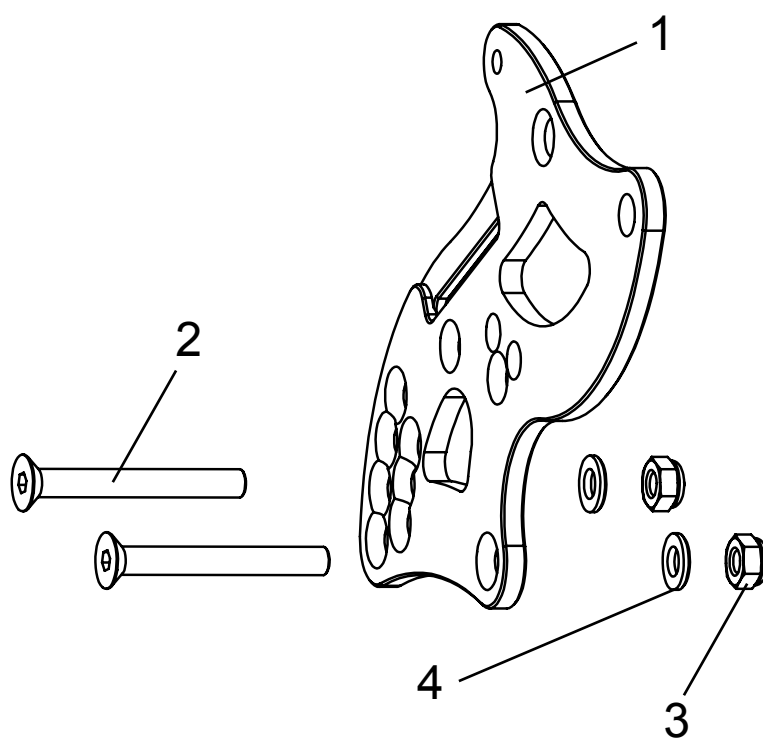


Pos	Article number	Article description	Quantity	Unit
1-9	3251-1150E	Steering fork adaptor, left	1	Pc.
	3251-1160E	Steering fork adaptor, right	1	Pc.
1	3251-1151-007	Steering fork adaptor, left	1	Pc.
	3251-1161-007	Steering fork adaptor, right	1	Pc.
2	3251-1155	Adjustment rotor	1	Pc.
3	1090-0001	Grooved ball bearing 619-8 ZZ D19xd8x6 (698 ZZ)	1	Pc.
4	1090-0005	Grooved ball bearing 6001 2RS D28xd12x8	1	Pc.
5	1141-0016	Ribbed insert SFL 30	1	Pc.
6	3240-1172	Abrasive sleeve	1	Pc.
7	1021-0845	Cylinder head screw zp DIN/ISO 912 M8x45	1	Pc.
8	1042-0008	Hexagon nut self-locking zp DIN/ISO 985 M8	1	Pc.
9	3251-1182-007	Clamp, black anodised	1	Pc.

Spare parts

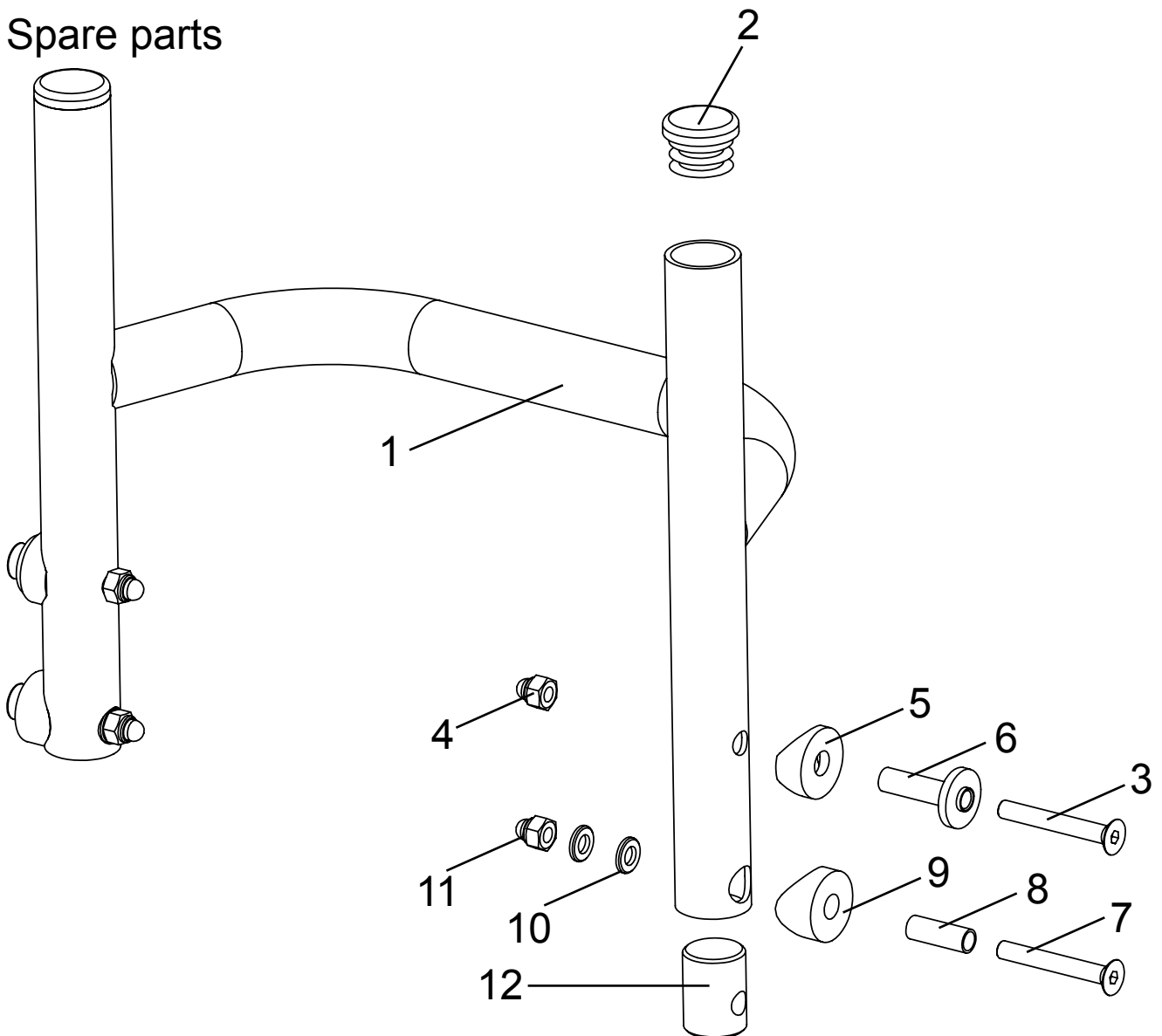


Pos	Article number	Article description	Quantity	Unit
1	1281-0010	Wheel fork aluminum, short, CLASSIC 150	1	Pc.
2	1281-0011	Wheel fork aluminum CLASSIC 200	1	Pc.
3	1205-0007	Wheel fork axle	1	Pc.
4	1042-0008	Hexagon nut self-locking zp DIN/ISO 985 M8	1	Pc.
5	1052-0012	Spring washer B12 zp DIN/ISO 137 B12	1	Pc.
6	1051-0012	Washer A13 zp DIN/ISO 125 A 13	1	Pc.
7	1043-0012	Hexagon nut zp DIN/ISO 4035 M12	1	Pc.



Pos	Article number	Article description	Quantity	Unit
1-4	3251-2010E	Backrest bracket left	1	Pc.
	3251-2020E	Backrest bracket right	1	Pc.
1	3251-2011-006	Backrest bracket left, anodised	1	Pc.
	3251-2021-006	Backrest bracket right, anodised	1	Pc.
2	1024-0650	Hexagon socket countersunk head screw zp DIN/ISO 7991 M6x50	2	Pc.
3	1042-0006	Hexagon nut self-locking zp DIN/ISO 985 M6	2	Pc.
4	1051-0006	Washer A6,4 zp DIN/ISO 125 A6,4	2	Pc.

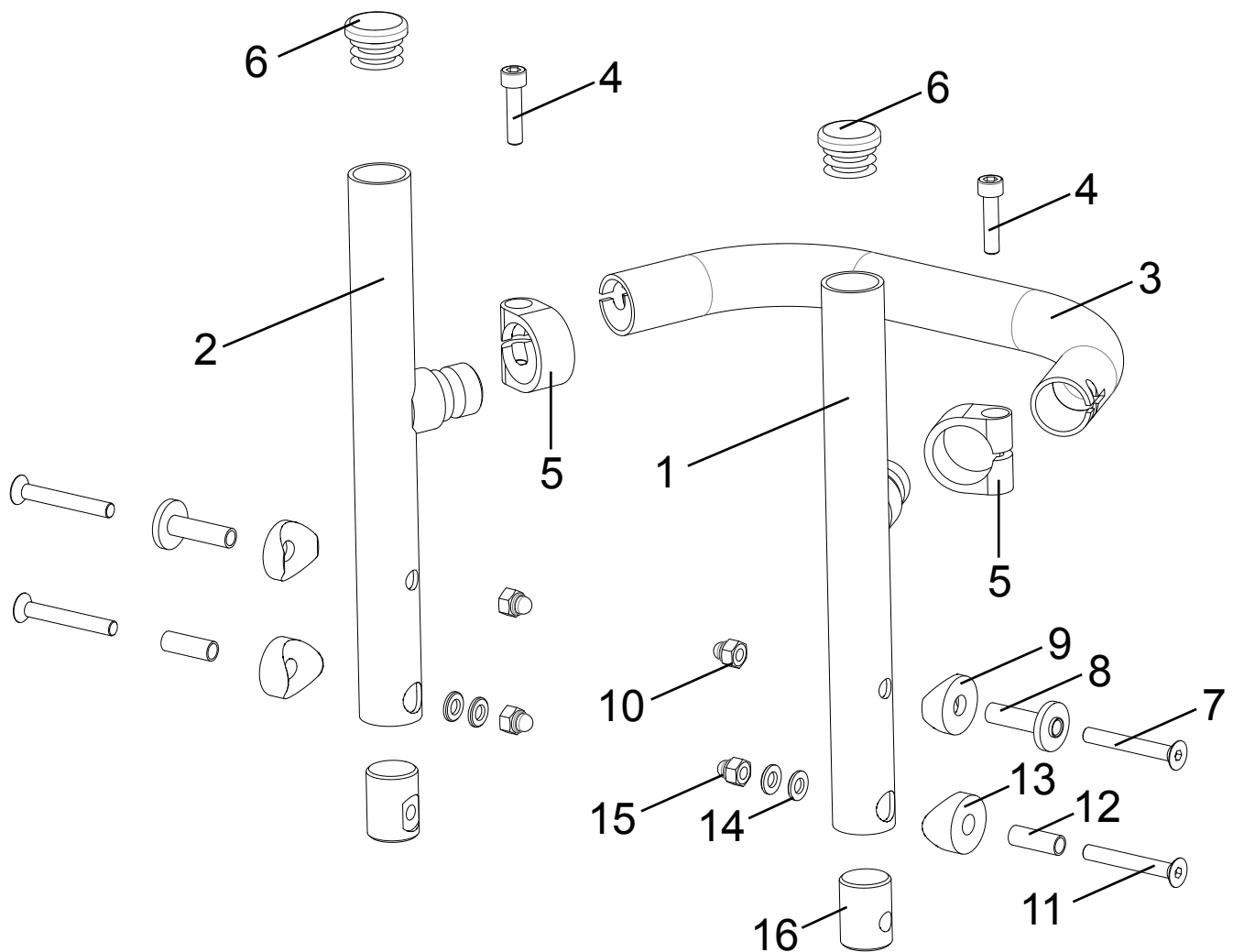
Spare parts



Pos	Article number	Article description	Quantity	Unit
1-6	3257-31SBE*	Backrest frame SUPRA light in frame colour BH: 20 cm	1	Set
	3257-32SBE*	Backrest SUPRA light in frame colour BH: 25 cm	1	Set
	3257-33SBE*	Backrest SUPRA light in frame colour BH: 30 cm	1	Set
2	1141-0015	Ribbed insert GL 25x1-2.5	2	Pc.
3	1024-0645	Hexagon socket countersunk head screw zp DIN/ISO 7991 M6x45	4	Pc.
4	1044-0006	Hexagonal domed cap nut self-locking zp DIN/ISO 986 M6	4	Pc.
5	1111-0012	Saddle washer PA black 24x8.4x3	2	Pc.
6	3251-2137	Shoulder bushing	2	Pc.
7-12	3251-2801E	Backrest, fixed (retro fit)	1	Set
7	1024-0645	Hexagon socket countersunk head screw zp DIN/ISO 7991 M6x45	2	Pc.
8	1114-0012	Bushing zp 8x0,8x22,5	2	Pc.
9	1111-0014	Saddle washer PA black 24x8.4x6	2	Pc.
10	1051-0006	Washer A6,4 zp DIN/ISO 125 A6,4	4	Pc.
11	1044-0006	Hexagonal domed cap nut self-locking zp DIN/ISO 986 M6	2	Pc.
12	3251-2135	Block D8	2	Pc.

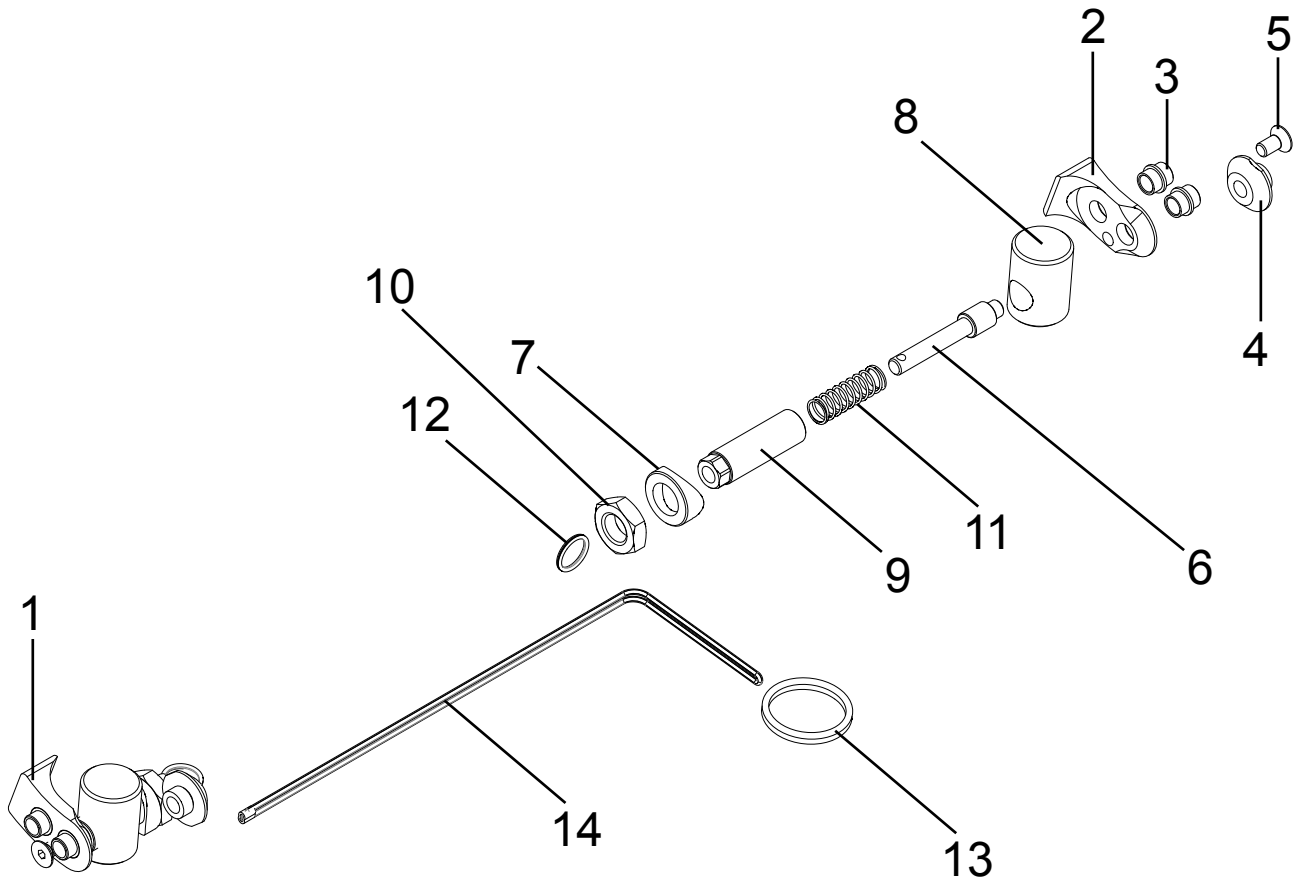
Please mention seat width (SW) and colour when you order!
BH = Backrest height

Spare parts



Pos	Article number	Article description	Quantity	Unit
1-10	3251-21SBE	Backrest frame, BH: 20 cm	1	Set
	3251-22SBE	Backrest frame, BH 25 cm	1	Set
	3251-23SBE	Backrest frame, BH 30 cm	1	Set
1	3251-2110-001	Back bracket BH: 20 cm left, black	1	Pc.
	3251-2210-001	Back bracket BH: 25 cm left, black	1	Pc.
	3251-2310-001	Back bracket BH: 30 cm left, black	1	Pc.
2	3251-2120-001	Back bracket BH: 20 cm right, black	1	Pc.
	3251-2220-001	Back bracket BH: 25 cm right, black	1	Pc.
	3251-2320-001	Back bracket BH: 30 cm right, black	1	Pc.
3	3251-27SB-001	Cross brace	1	Pc.
4	1021-0630	Hexagon socket head cap screw zp DIN/ISO 912 M6x30	2	Pc.
5	3240-5553-006	Clamping ring, anodised	2	Pc.
6	1141-0015	Ribbed insert GL 25x1-2.5	2	Pc.
7	1024-0645	Hexagon socket countersunk head screw zp DIN/ISO 7991 M6x45	4	Pc.
8	3251-2137	Shoulder bushing	2	Pc.
9	1111-0012	Saddle washer PA black 24x8.4x3	2	Pc.
10	1044-0006	Hexagonal domed cap nut self-locking zp DIN/ISO 986 M6	4	Pc.
11-16	3251-2801E	Backrest fixed (retro fit)	1	Set
11	1024-0645	Hexagon socket countersunk head screw zp DIN/ISO 7991 M6x45	2	Pc.
12	1114-0012	Bushing zp 8x0,8x22,5	2	Pc.
13	1111-0014	Saddle washer PA black 24x8.4x6	2	Pc.
14	1051-0006	Washer A6,4 zp DIN/ISO 125 A6,4	4	Pc.
15	1044-0006	Hexagonal domed cap nut self-locking zp DIN/ISO 986 M6	2	Pc.
16	3251-2135	Block D8	2	Pc.

Spare parts



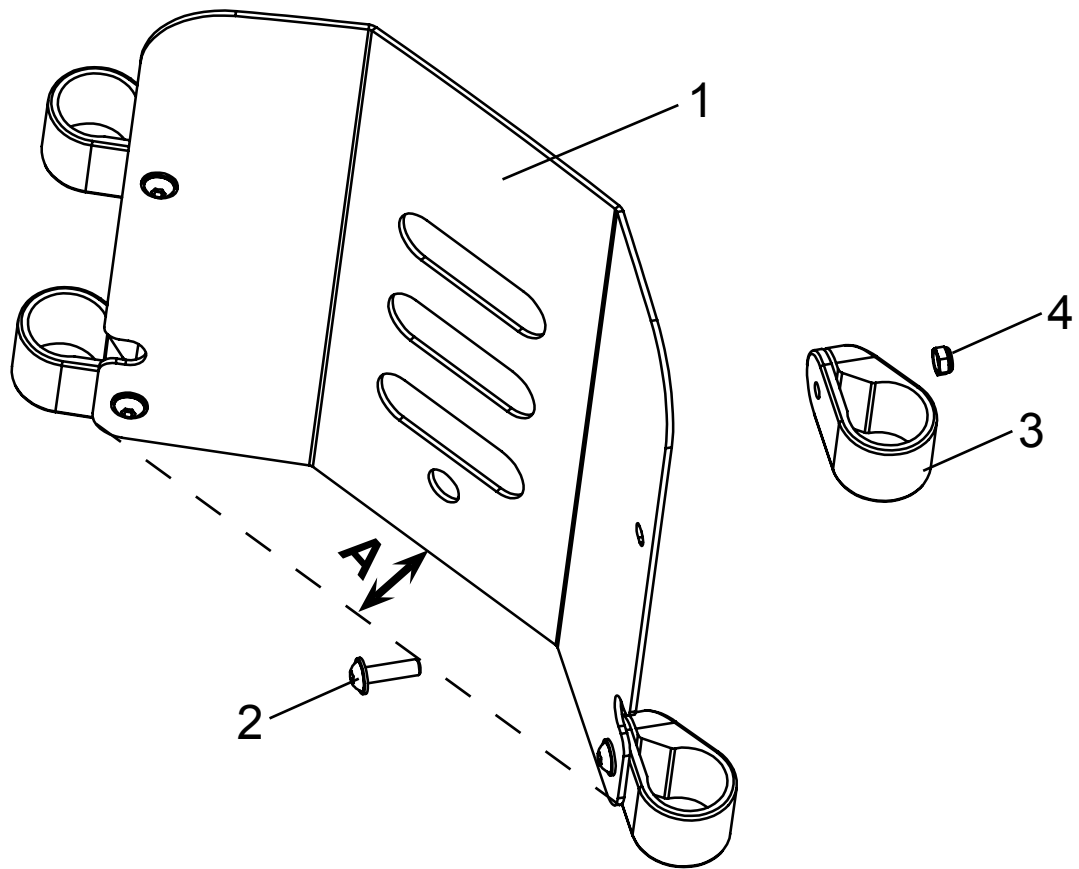
Pos	Article number	Article description	Quantity	Unit
1-15	3251-28SBE	Back rest lock with additional relax position	1	Pc.
1	3251-2013	Lock bracket, left	1	Pc.
2	3251-2014	Lock bracket, right	1	Pc.
3	3251-2015	Fit bushing	4	Pc.
4	3251-2016	Lock bushing	2	Pc.
5	1024-0510	Hexagon socket countersunk head screw zp DIN/ISO 7991 M5x10	2	Pc.
6	3301-1817	Locking pin	2	Pc.
7	3251-2812	Saddle washer, 20x12x3	2	Pc.
8	3251-2833	Block	2	Pc.
9	3251-2831	Bolt housing	2	Pc.
10	1040-0012	Hexagon nut zp DIN/ISO 439/B M12x1,25 (fine pitch thread)	2	Pc.
11	1131-0036	Compression spring D-127d 0,8x8,3x29	2	Pc.
12	1129-0012	Key ring 16x1,3	2	Pc.
13	1129-0035	Key ring 25,5x3,7	1	Pc.
14	3251-29SB	Cable for backrest lock	1	Pc.



Pos	Article number	Article description	Quantity	Unit
1-3	3251-26SBE-320	Adaptable back cover, BH: 20 - 25 cm (including Velcro fasteners)	1	Pc.
	3252-26SBE-320	Adaptable back cover, BH: 25 - 35 cm (including Velcro fasteners)	1	Pc.
	3253-26SBE-320	Adaptable back cover, BH: 30 - 40 cm (including Velcro fasteners)	1	Pc.
1	3251-73SB-320	Backrest cushion BH: 20 - 25 cm	1	Pc.
	3252-73SB-320	Backrest cushion BH: 25 - 35 cm	1	Pc.
	3253-73SB-320	Backrest cushion BH: 30 - 40 cm	1	Pc.
2+3	1500-0010	Loop strap black 16 mm self adhesive A glue	0,5	m
	1500-0009	Back to Back on roll black 20mm	1	m
	1500-0015	Back to Back on roll black 30 mm	1	m

**The number of the Velcro fasteners depends on the backrest height.
Please mention the backrest height (BH) when you order!
BH = Backrest height**

Spare parts



Pos	Article number	Article description	Quantity	Unit
1-7	3251-36SBE	Back panel, trough shaped, BH: 25	1	Set
	3252-36SBE	Back panel, trough shaped, BH: 35	1	Set
	3253-36SBE	Back panel, trough shaped, BH: 45	1	Set
1	3251-37SB-001	Backrest panel 25	1	Pc.
	3252-37SB-001	Backrest panel 35	1	Pc.
	3253-37SB-001	Backrest panel 45	1	Pc.
2	1030-0518	Button head socket screw with flange zp M5x18	4	Pc.
3	3245-3311	Gripper clamp	4	Pc.
4	1042-0005	Hexagon nut self-locking zp DIN/ISO 985 M5	4	Pc.

Lowness of cavity:

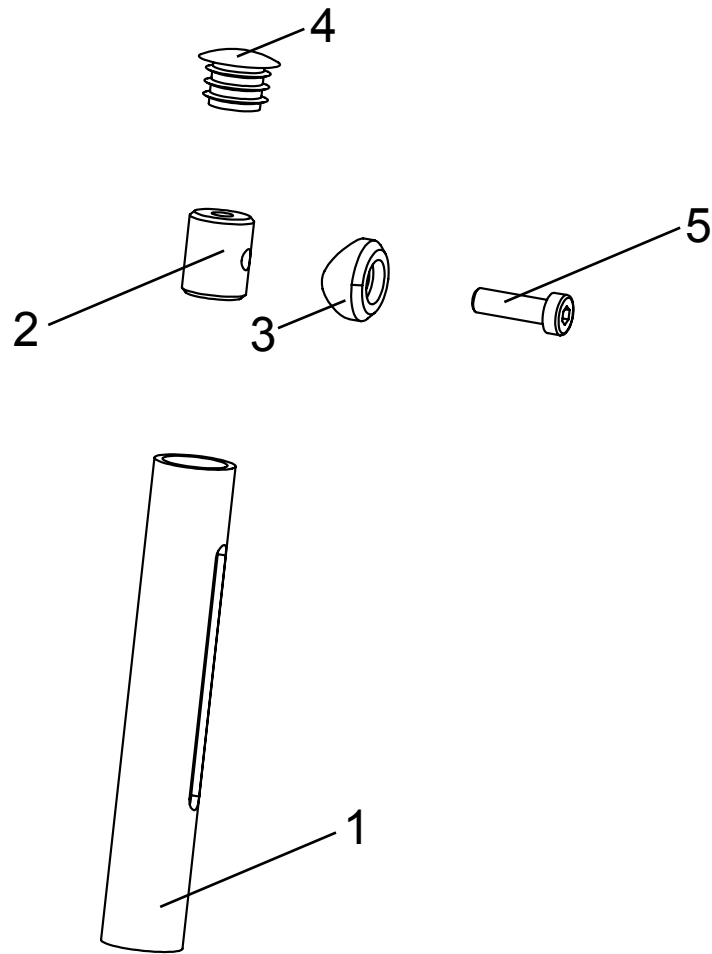
A= 3,5 cm (SW 24 - 28)

A= 4,5 cm (SW 30 - 34)

A= 5,5 cm (SW36 - 40)

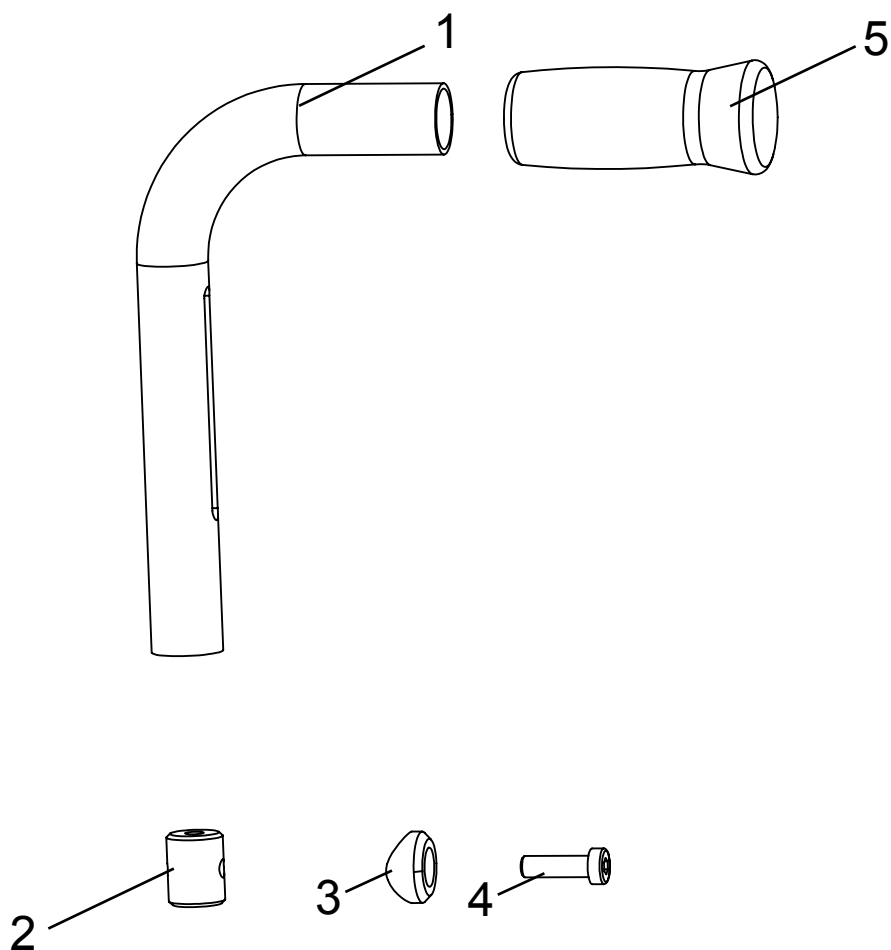
SW = Seat width

Spare parts



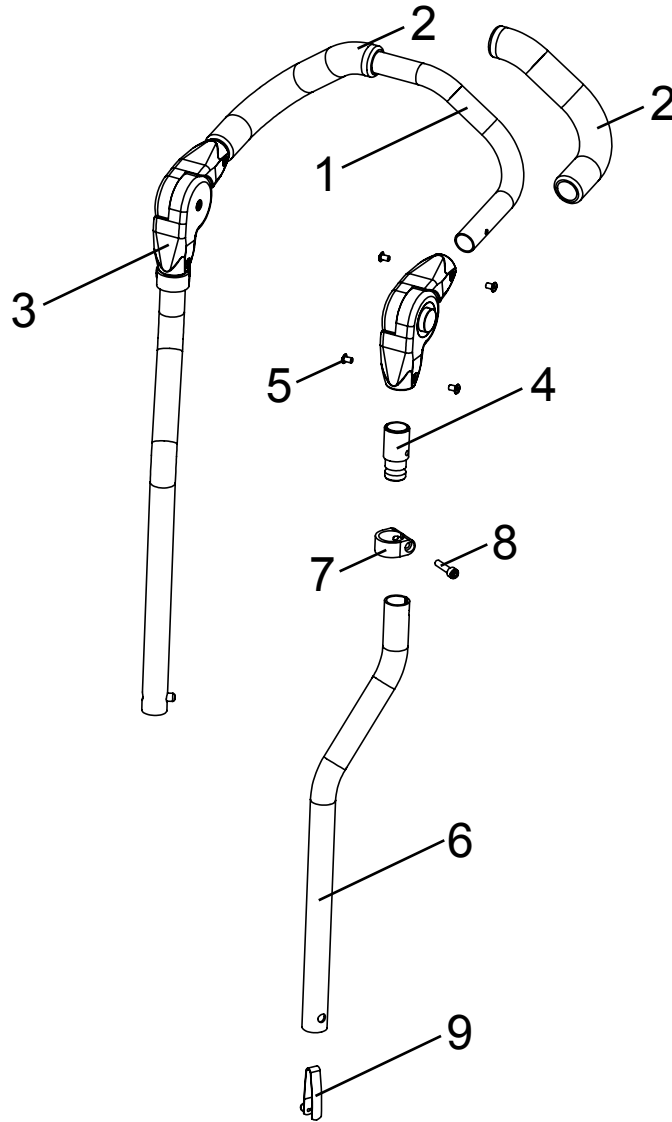
Pos	Article number	Article description	Quantity	Unit
1-5	3251-2165	Telescopic tubes for back rest height adjustment of 5 cm	1	Set
	3251-2175	Telescopic tubes for back rest height adjustment of 10 cm	1	Set
1	3251-2161-001	Telescopic tube size 1	2	Pc.
	3251-2171-001	Telescopic tube size 2	2	Pc.
2	3251-2162-008	Clamping block	2	Pc.
3	3251-2163	Saddle washer 20x6,2x5	2	Pc.
4	1141-0006	Ribbed insert SFL 20x0,8-2,5	2	Pc.
5	1022-0620	Hexagon socket head cap screw zp DIN/ISO 7984 M6x20	2	Pc.

Spare parts



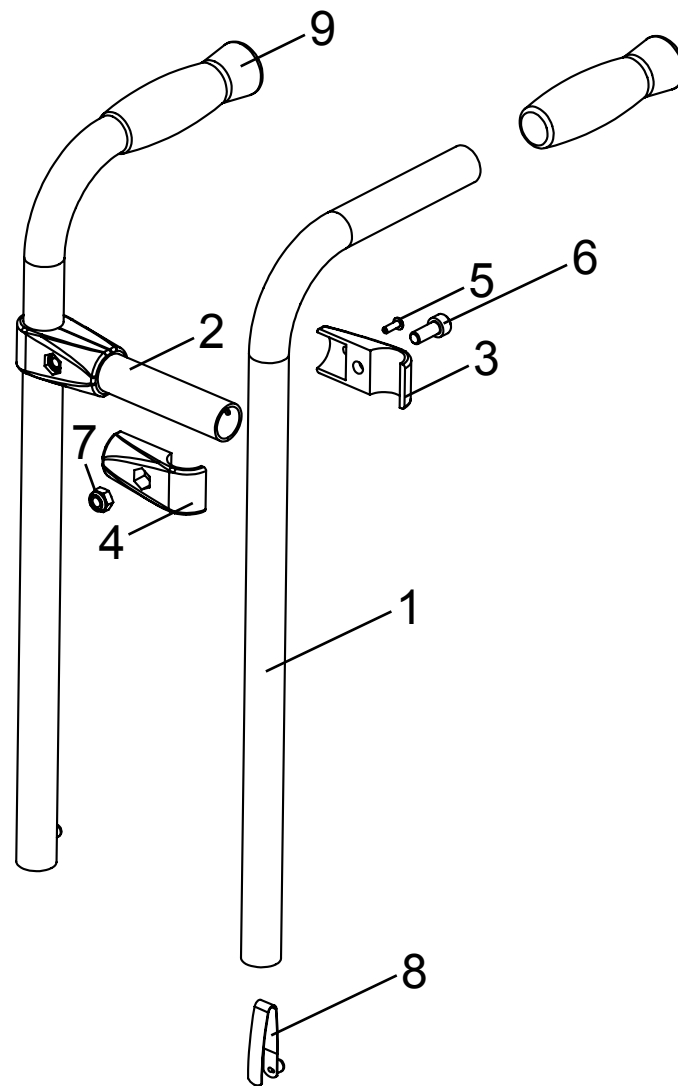
Pos	Article number	Article description	Quantity	Unit
1-5	3251-5101	Single push handles size 1, standard, for backrest height adjustment of 5 cm	1	Set
	3251-5102	Single push handles size 2, standard, for backrest height adjustment of 10 cm	1	Set
1	3251-5111-001	Single push handle, standard, size 1, black	2	Pc.
	3251-5121-001	Single push handle, standard, size 2, black	2	Pc.
2	3251-2162-008	Clamping block	2	Pc.
3	3251-2163	Saddle washer 20x6,2x5	2	Pc.
4	1022-0620	Hexagon socket head cap screw zp, DIN/ISO 7984 M6x20	2	Pc.
5	1143-0008	Handle grip EVA black d20 x 120	2	Pc.

Spare parts



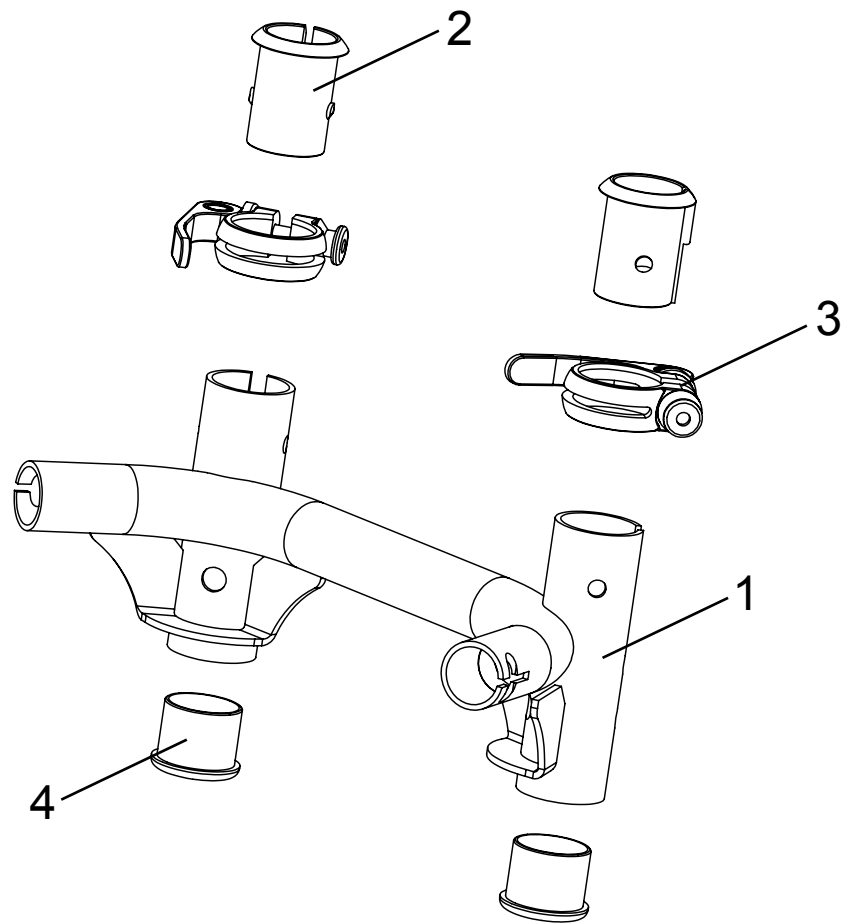
Pos	Article number	Article description	Quantity	Unit
1-11	3251-52SB	Push bar	1	Pc.
1-6	3240-5552-002	Push bar upper part	1	Pc.
2	1143-0001	Handle grip EVA black d30 x 260	2	Pc.
3	1129-0009	Ratchet joint 25x22	1	Pair
4	3240-5554	Coupling binder	2	Pc.
5	1062-0508	Blind rivet St/St DIN/ISO 7337 F5x8	8	Pc.
6-10	3240-5510E	Push bar (bottom part)	1	Pc.
6	3240-5551-006	Push bar bottom part, anodised	2	Pc.
7	3240-5553-006	Clamping ring, anodised	2	Pc.
8	1021-0625	Hexagon socket head cap screw zp DIN/ISO 912 M6x25	2	Pc.
9	1134-0006	Snap button B 141 7,7x9,4	2	Pc.
10	3251-53SBE	Push bar adapter(see explosion on page 25)	1	Pc.

Spare parts



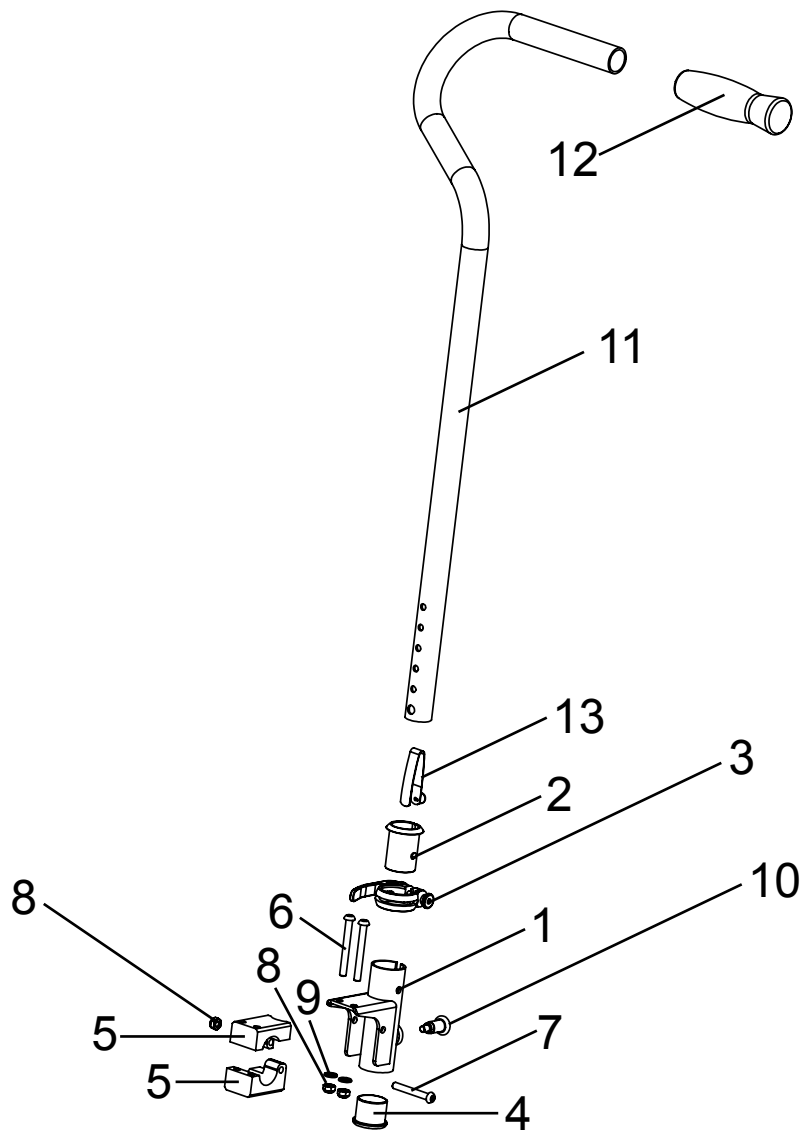
Pos	Article number	Article description	Quantity	Unit
1-10	3251-57SB	High push handles	1	Pc.
1	3240-5311-006	Bent tube push handle long, anodised	2	Pc.
2	3251-58SB	Querrohr	1	Pc.
3	1145-0001-001	Rohrverbinderhälfte T-90° 25/25 mit Bohrung 4,2	2	Pc.
4	1145-0002-001	Rohrverbinderhälfte T-90° 25/25	2	Pc.
5	1062-0412	Blind rivet St/St DIN/ISO 7337 F4x12	2	Pc.
6	1021-0820	Hexagon socket head cap screw zp DIN/ISO 912 M8x20	2	Pc.
7	1042-0008	Hexagon nut self-locking zp DIN/ISO 985 M8	2	Pc.
8	1134-0006	Snap button B 141 7,7x9,4	2	Pc.
9	1143-0005	Handle grip PVC, black, d25 x 120	2	Pc.
10	3251-53SBE	Push bar adapter (see explosion on page 25)	1	Pc.

Spare parts



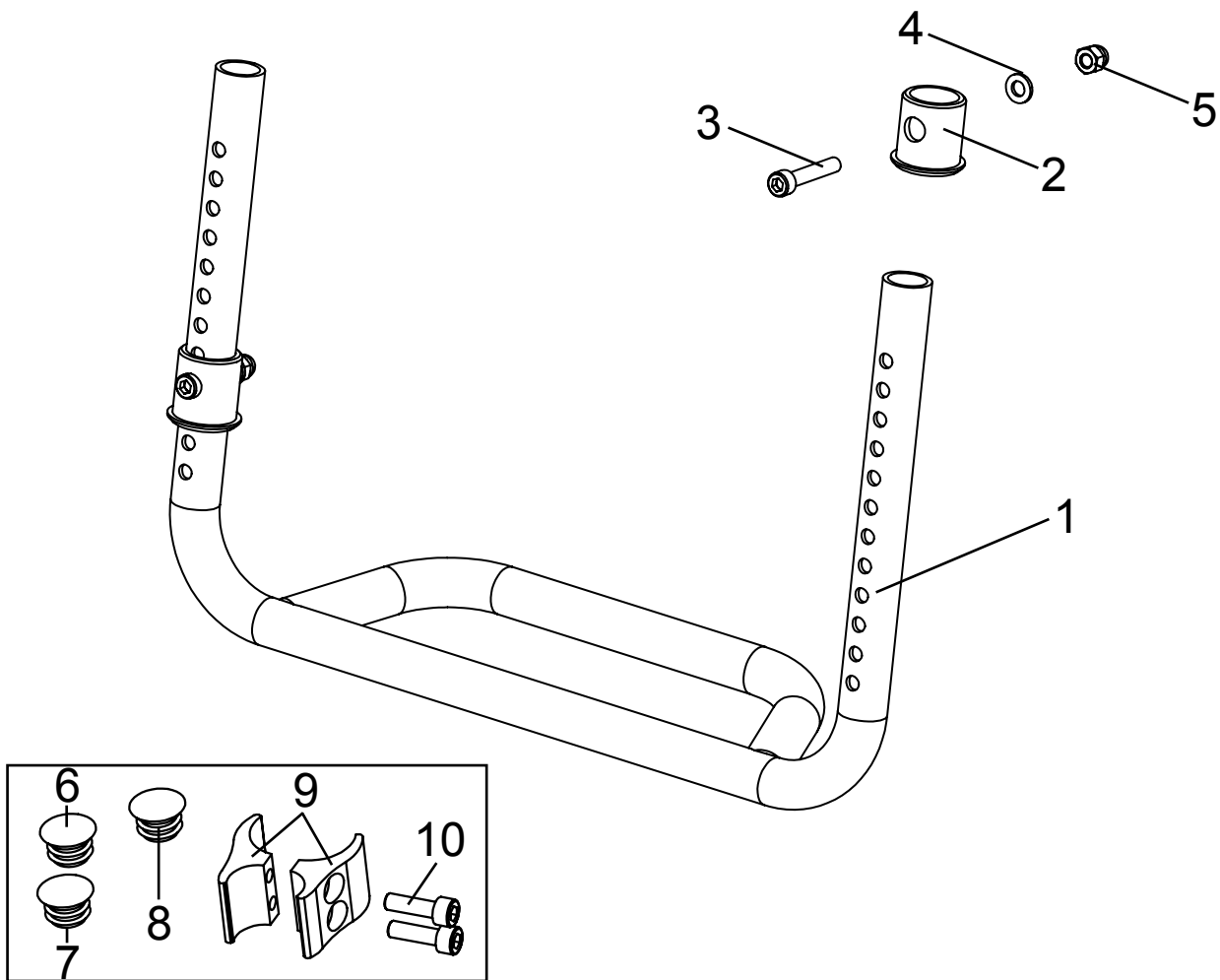
Pos	Article number	Article description	Quantity	Unit
1-4	3251-53SBE	Push bar adapter	1	Pc.
1	3251-54SB-001	Push bar adapter, black	1	Pc.
2	3301-1240	Clamp bushing	2	Pc.
3	1129-0007	Saddle clamp with quick-release, D 31,8 left	2	Pc.
4	3301-1530	Flange bushing	2	Pc.

Spare parts



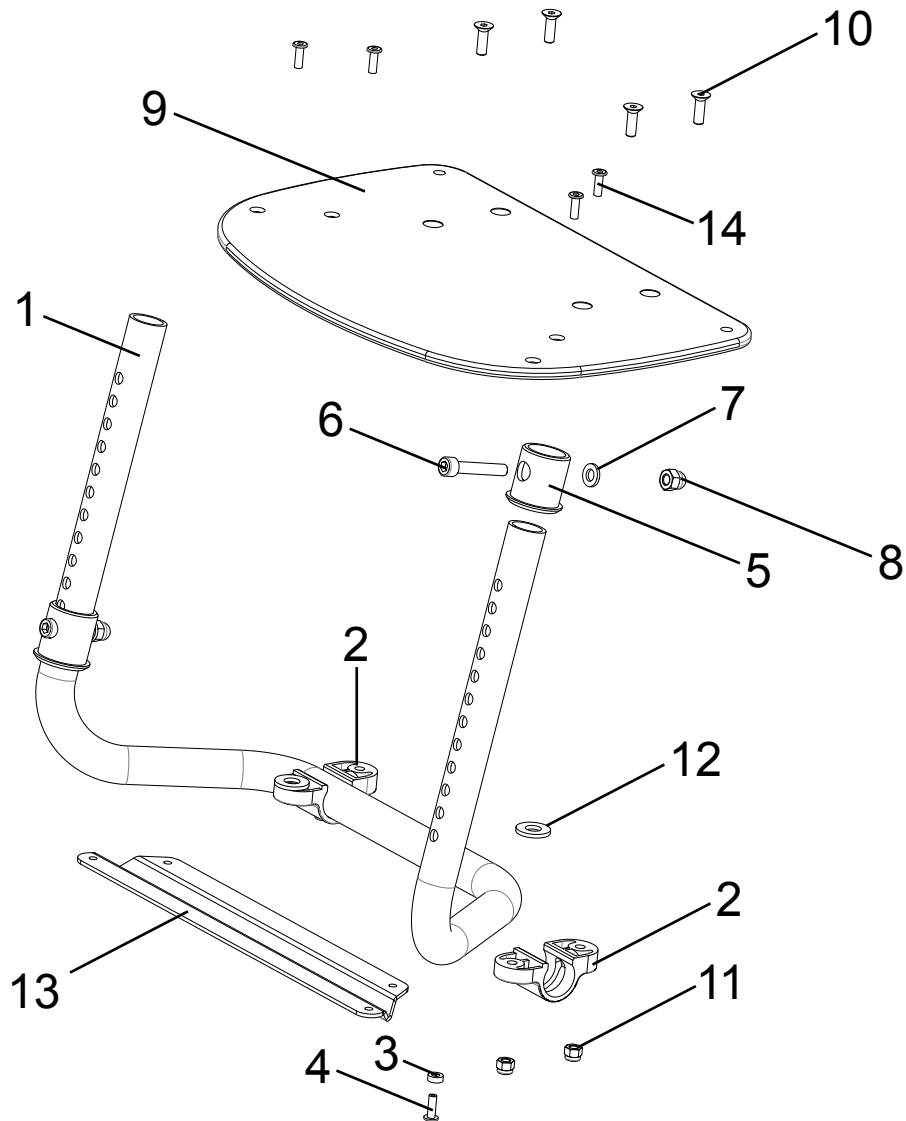
Pos	Article number	Article description	Quantity	Unit
1-13	3251-5501	One-hand push bar with S-shaped handle	1	Pc.
1	3251-5510-001	Push bar adapter, black	1	Pc.
2	3301-1240	Clamp bushing	1	Pc.
3	1129-0007	Saddle clamp with quick-release D 31,8 left	1	Pc.
4	3301-1530	Flange bushing	1	Pc.
5	3251-5521-006	Clamp (upper part), anodised	2	Pc.
6	1029-0655	Button head socket screw zp DIN/ISO 7380 M6x55	2	Pc.
7	1029-0645	Button head socket screw zp DIN/ISO 7380 M6x45	1	Pc.
8	1042-0006	Hexagon nut self-locking zp DIN/ISO 985 M6	3	Pc.
9	1051-0006	Washer A6,4 zp DIN/ISO 125 A6,4	2	Pc.
10	1127-0010	Lock pin ZS-10x1-OA-KS d6xM10xS10x31	1	Pc.
11	3251-5561-006	Push bar S form	1	Pc.
12	1143-0005	Handle grip PVC black d25 x 120	1	Pc.
13	1134-0006	Snap button B 141 7,7x9,4	1	Pc.

Spare parts



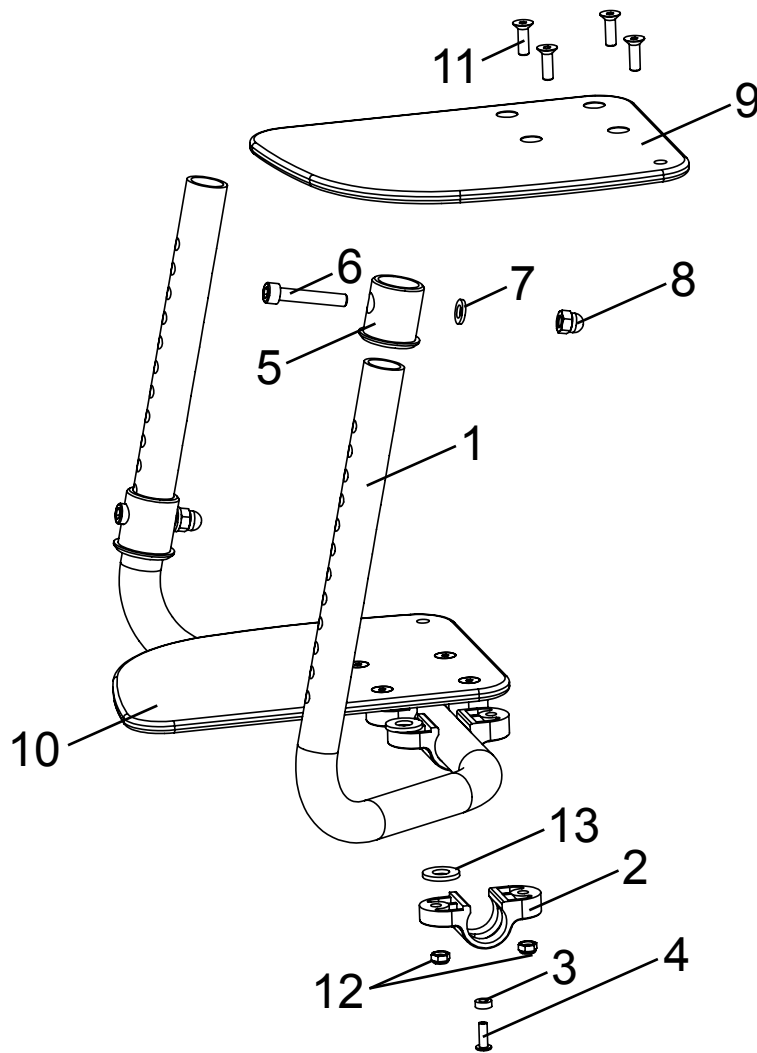
Pos	Article number	Article description	Quantity	Unit
1-5	3251-39SBE	Footrest bracket	1	Pc.
1	3251-40SB-006	Footrest bracket	1	Pc.
2	3251-2811	Guiding bushing	2	Pc.
3	1021-0635	Hexagon socket head cap screw zp DIN/ISO 912 M6x35	2	Pc.
4	1051-0006	Washer A6,4 zp DIN/ISO 125 A6,4	2	Pc.
5	1044-0006	Hexagonal domed cap nut self-locking zp DIN/ISO 986 M6	2	Pc.
6-10	3251-3910E	Retrofit to short lower leg length, (min. 15 cm)	1	Set
6	1141-0006	Ribbed insert SFL 20x0,8-2,5	2	Pc.
7	1141-0016	Ribbed insert SFL 30 30x0,8-2,5	2	Pc.
8	1141-0001	Ribbed insert SFL 14x0,8-2	2	Pc.
9	3251-4313-007	Clamp, black anodised	1	Pc.
10	1021-0620	Hexagon socket head cap screw zp DIN/ISO 912 M6x20	2	Pc.

Spare parts



Pos	Article number	Article description	Quantity	Unit
1-12	3251-45SB	Footrest with persistent swingaway foot board	1	Pc.
1	3251-46SB-006	Footrest bracket	1	Pc.
2	3251-4612	Footrest bearing	2	Pc.
3	1112-0010	Spacer PA black 8x4,3x3	2	Pc.
4	1062-0412	Blind rivet St/St DIN/ISO 7337 F4x12	2	Pc.
5	3251-2811	Guiding bushing	2	Pc.
6	1021-0635	Hexagon socket head cap screw zp DIN/ISO 912 M6x35	2	Pc.
7	1051-0006	Washer A6,4 zp DIN/ISO 125 A6,4	2	Pc.
8	1044-0006	Hexagonal domed cap nut self-locking zp DIN/ISO 986 M6	2	Pc.
9	3251-49SB	Footrest, standard	1	Pc.
10	1024-0516	Hexagon socket countersunk head screw zp DIN/ISO 7991 M5x16	4	Pc.
11	1042-0005	Hexagon nut self-locking zp DIN/ISO 985 M5	4	Pc.
12	1113-0035	Washer PA 18x8,4x2 black	2	Pc.
13	3251-47SB-001	Footrest cross beam SW 30 (starting from SW 30)	1	Pc.
14	1063-0410	Blind rivet St/St DIN/ISO 7337 S4x10	4	Pc.

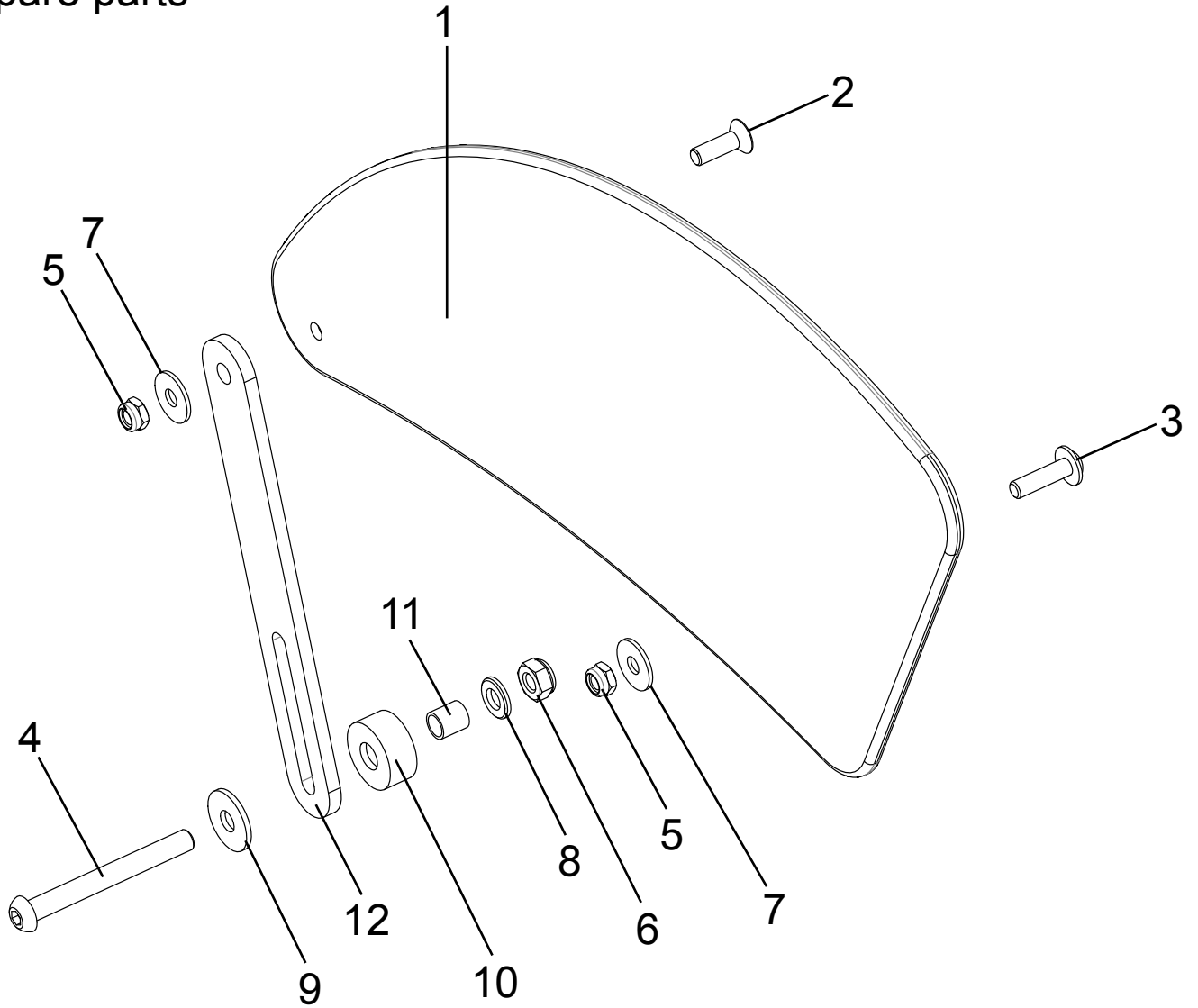
Spare parts



Pos	Article number	Article description	Quantity	Unit
1-13	3251-60SBE	Foot rest with swingaway single foot boards	1	Pc.
1	3251-46SB-006	Footrest bracket	1	Pc.
2	3251-4612	Footrest bearing	4	Pc.
3	1112-0010	Spacer PA black 8x4,3x3	2	Pc.
4	1062-0412	Blind rivet St/St DIN/ISO 7337 F4x12	2	Pc.
5	3251-2811	Guiding bushing	2	St.
6	1021-0635	Hexagon socket head cap screw zp DIN/ISO 912 M6x35	2	Pc.
7	1051-0006	Washer A6,4 zp DIN/ISO 125 A6,4	2	Pc.
8	1044-0006	Hexagonal domed cap nut self-locking zp DIN/ISO 986 M6	2	Pc.
9	3251-62SB-015	Single footrest, left, black, fine structure	1	Pc.
10	3251-64SB-015	Single footrest, right, black, fine structure	1	Pc.
11	1024-0516	Hexagon socket countersunk head screw zp DIN/ISO 7991 M5x16	8	Pc.
12	1042-0005	Hexagon nut self-locking zp DIN/ISO 985 M5	8	Pc.
13	1113-0035	Washer PA 18x8,4x2 black	4	Pc.

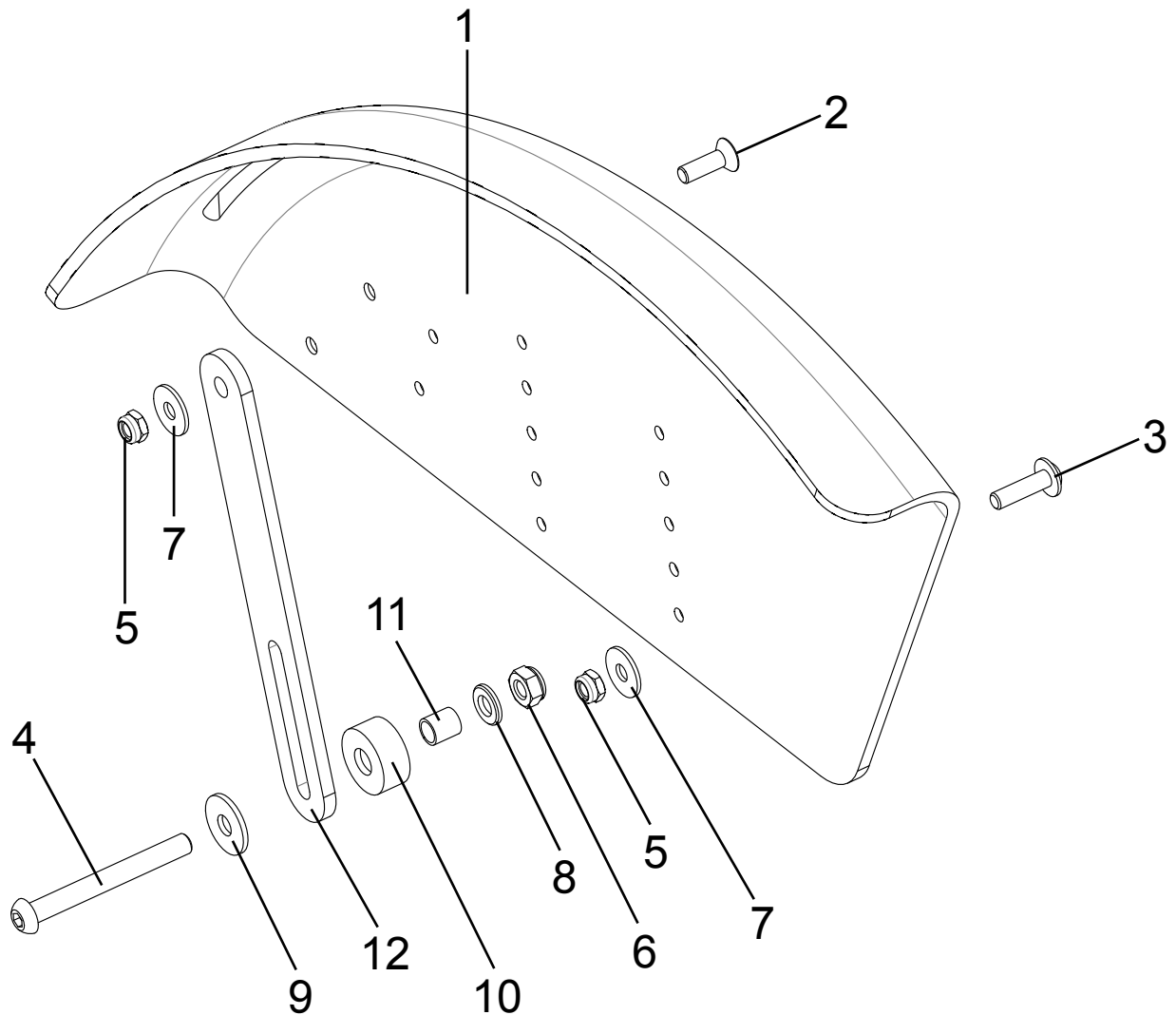
Only available from SW 28 to 40.

Spare parts



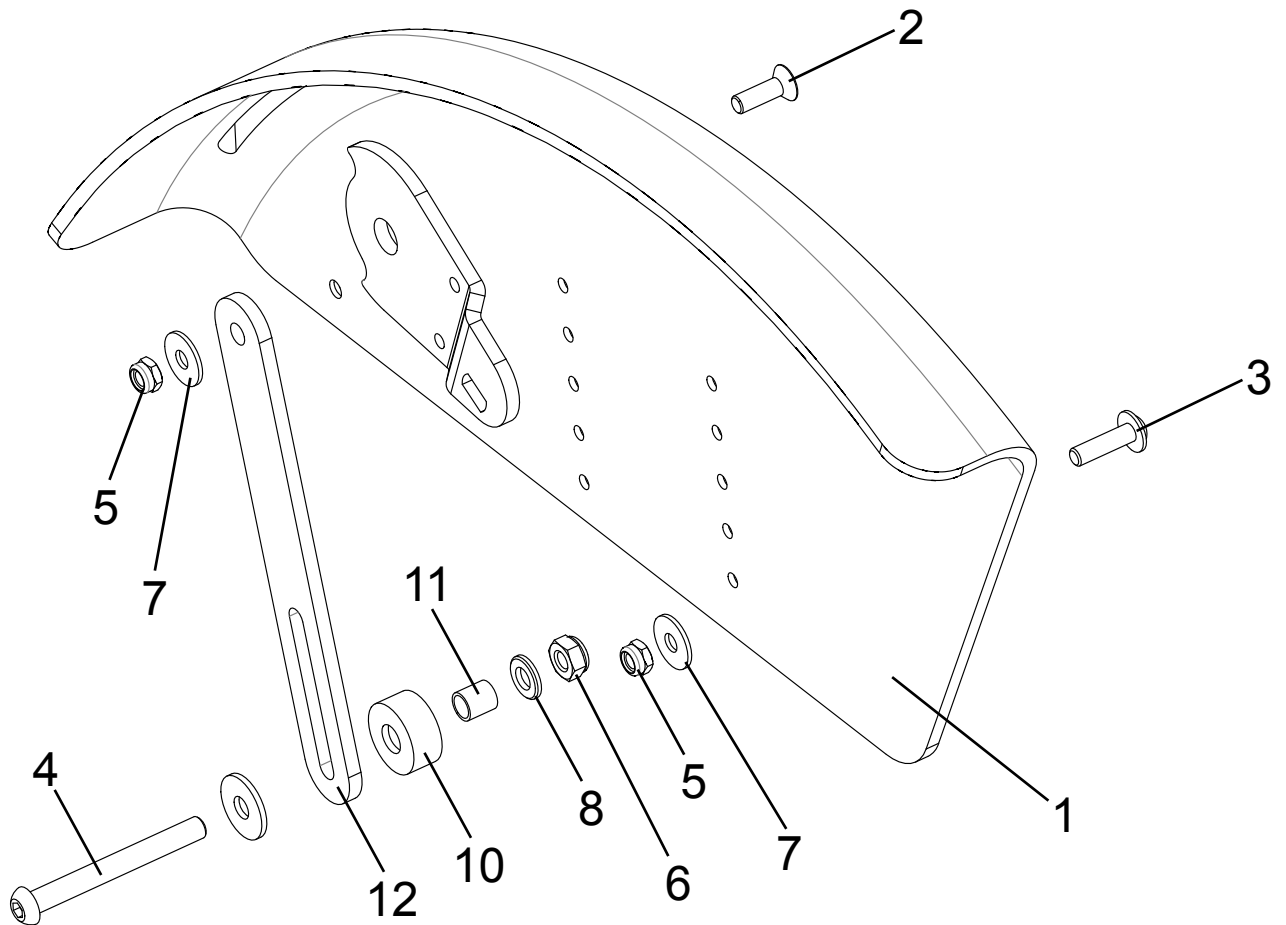
Pos	Article number	Article description	Quantity	Unit
1-12	3257-1602E	Cover for clothes, side guards plane 20" and 22"	1	Set
	3257-1604E	Cover for clothes, side guards plane 24"	1	Pc.
1	3257-1631	Side guard, ABS 22", left	1	Pc.
	3257-1641	Side guard, ABS 22", right	1	Pc.
	3257-1651	Side guard, ABS, 24", left	1	Pc.
	3257-1661	Side guard, ABS, 24", right	1	Pc.
2	1024-0516	Hexagon socket countersunk head screw zp DIN/ISO 7991 M5x16	2	Pc.
3	1030-0518	Button head socket screw with flange zp M5x18	2	Pc.
4	1029-0655	Button head socket screw zp DIN/ISO 7380 M6x55	2	Pc.
5	1042-0005	Hexagon nut self-locking zp DIN/ISO 985 M5	4	Pc.
6	1042-0006	Hexagon nut self-locking zp DIN/ISO 985 M6	2	Pc.
7	1055-0005	Washer A5,3 zp DIN/ISO 9021 A5,3	4	St.
8	1055-0006	Washer zp A6,4 zp DIN/ISO 9021 A6,4	2	St.
9	1051-0006	Washer A6,4 zp DIN/ISO 125 A6,4	2	St.
10	3231-1518	Distance bearing	2	St.
11	1114-0055	Bushing	2	St.
12	3251-1683-002	Bar, spoke guard, silver, long version (14,5 cm)	2	St.
	3251-1682-002	Bar, spoke guard, silver, short version (12 cm), (not pictured)	2	St.

Spare parts



Pos	Article number	Article description	Quantity	Unit
1-12	3251-1600E	Spoke guards 20"	1	Set
	3251-1602E	Spoke guards 22"		
	3251-1604E	Spoke guards 24"		
1	3251-1611	Spoke guard, left, 20"	1	Pc.
	3251-1621	Spoke guard, right, 20"	1	Pc.
	3251-1631	Spoke guard, left, 22"	1	Pc.
	3251-1641	Spoke guard, right, 22"	1	Pc.
	3251-1651	Spoke guard, left, 24"	1	Pc.
	3251-1661	Spoke guard, right, 24"	1	Pc.
2	1024-0516	Hexagon socket countersunk head screw zp DIN/ISO 7991 M5x16	2	Pc.
3	1030-0514	Button head socket screw with flange zp M5x14	2	Pc.
4	1029-0655	Button head socket screw zp DIN/ISO 7380 M6x55	2	Pc.
5	1042-0005	Hexagon nut self-locking zp DIN/ISO 985 M5	4	Pc.
6	1042-0006	Hexagon nut self-locking zp DIN/ISO 985 M6	2	Pc.
7	1055-0005	Washer A5,3 zp DIN/ISO 9021 A5,3	4	Pc.
8	1055-0006	Washer zp A6,4 zp DIN/ISO 9021 A6,4	2	Pc.
9	1051-0006	Washer A6,4 zp DIN/ISO 125 A6,4	2	Pc.
10	3231-1518	Distance bearing	2	Pc.
11	1114-0055	Bushing 8x0,8x8,7	2	Pc.
12	3251-1683-002	Bar, spoke guard, silver, long version (14,5 cm)	2	Pc.
	3251-1682-002	Bar, spoke guard, silver, short version (12 cm), (not pictured)	2	Pc.

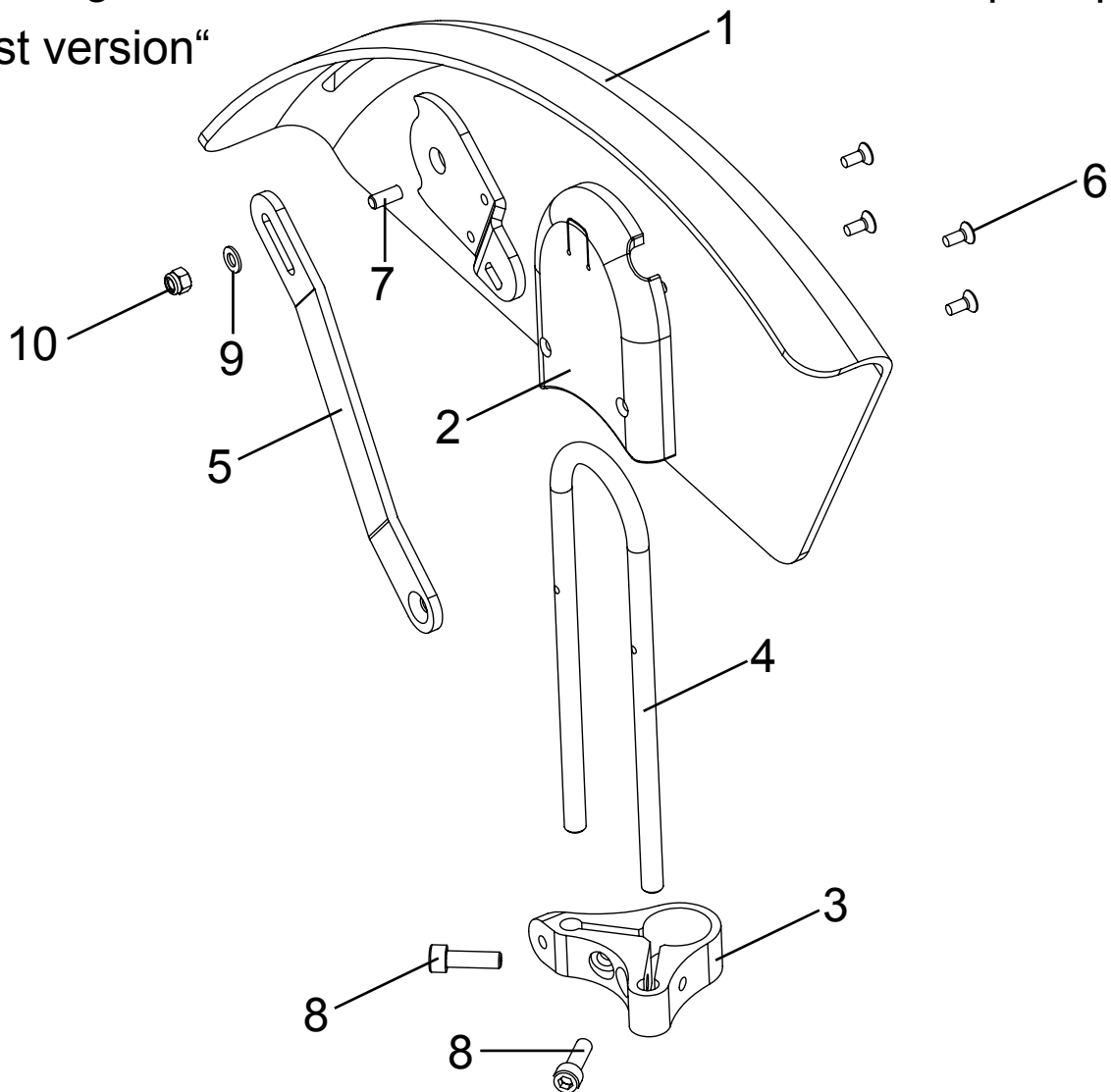
Spare parts



Pos	Article number	Article description	Quantity	Unit
1-12	3251-1690E	Spoke guards 20" with integrated wheel lock levers	1	Set
	3251-1692E	Spoke guards 22" with integrated wheel lock levers		
	3251-1694E	Spoke guards 24" with integrated wheel lock levers		
1	3251-1611E	Spoke guard, left 20" with base plate for brake lever	1	Pc.
	3251-1621E	Spoke guard, right 20" with base plate for brake lever	1	Pc.
	3251-1631E	Spoke guard, left 22" with base plate for brake lever	1	Pc.
	3251-1641E	Spoke guard, right 22" with base plate for brake lever	1	Pc.
	3251-1651E	Spoke guard, left 24" with base plate for brake lever	1	Pc.
	3251-1661E	Spoke guard, right 24" with base plate for brake lever	1	Pc.
2	1024-0516	Hexagon socket countersunk head screw zp DIN/ISO 7991 M5x16	2	Pc.
3	1030-0514	Button head socket screw with flange zp M5x14	2	Pc.
4	1029-0655	Button head socket screw zp DIN/ISO 7380 M6x55	2	Pc.
5	1042-0005	Hexagon nut self-locking zp DIN/ISO 985 M5	4	Pc.
6	1042-0006	Hexagon nut self-locking zp DIN/ISO 985 M6	2	Pc.
7	1055-0005	Washer A5,3 zp DIN/ISO 9021 A5,3	4	Pc.
8	1055-0006	Washer zp A6,4 zp DIN/ISO 9021 A6,4	2	Pc.
9	1051-0006	Washer A6,4 zp DIN/ISO 125 A6,4	2	Pc.
10	3231-1518	Distance bearing	2	Pc.
11	1114-0055	Bushing 8x0,8x8,7	2	Pc.
12	3251-1683-002	Bar, spoke guard, silver, long version (14,5 cm)	2	Pc.
	3251-1682-002	Bar, spoke guard, silver, short version (12 cm)	2	Pc.
(not pictured)	3251-17x0E	Brake lever, left, right (wxplosion see page 34)	respectively 1	Pc.
(not pictured)	3240-17x0E	Brake lock lever, left, right (explosion siehe page 35)	respectively 1	Pc.
(not pictured)	3251-1730E	Clamp, black, with screws (explosion see page 35)	respectively 1	Pc.
(not pictured)	1209-0024E	Brake cable SUPRA (explosion see page 36)	1	Set

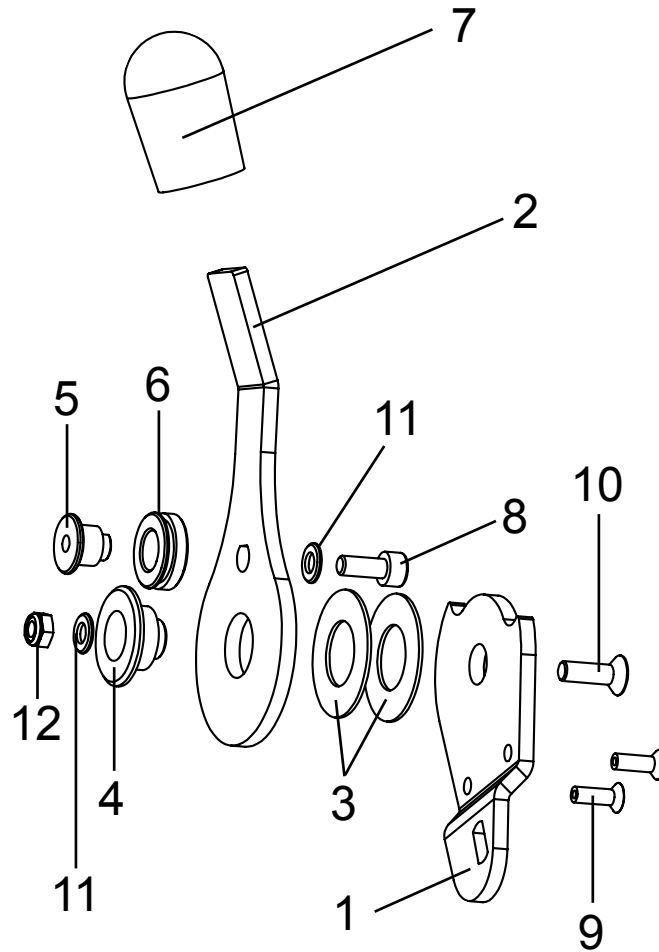
Wheel guard „first version“

Spare parts



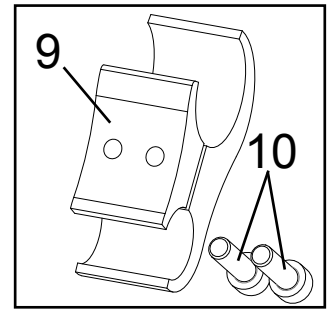
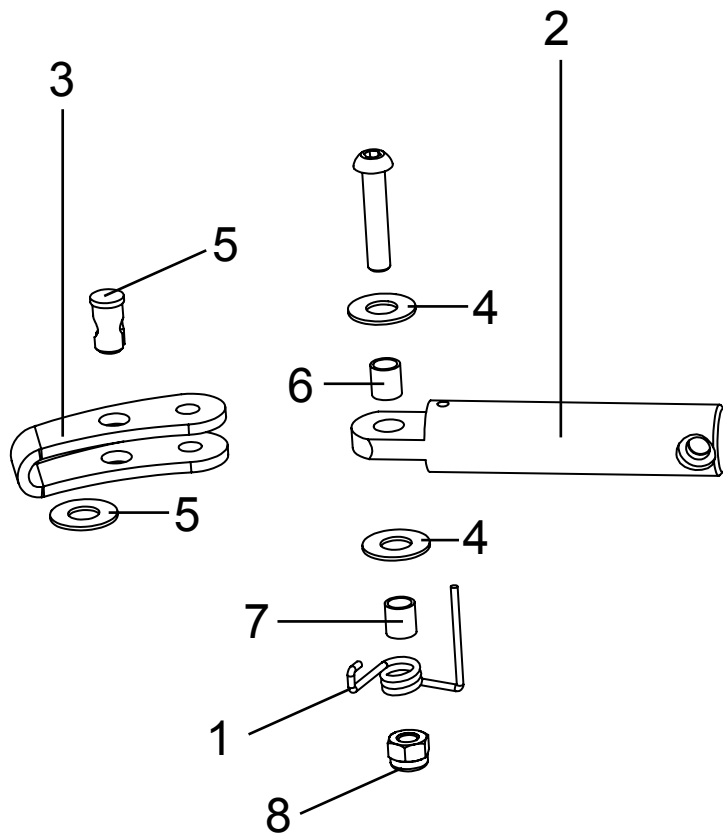
Pos	Article number	Article description	Quantity	Unit
1	3251-1611E	Spoke guard, left 20" with base plate for brake lever	1	Pc.
	3251-1621E	Spoke guard, right 20" with base plate for brake lever	1	Pc.
	3251-1631E	Spoke guard, left 22" with base plate for brake lever	1	Pc.
	3251-1641E	Spoke guard, right 22" with base plate for brake lever	1	Pc.
	3251-1651E	Spoke guard, left 24" with base plate for brake lever	1	Pc.
	3251-1661E	Spoke guard, right 24" with base plate for brake lever	1	Pc.
2	3240-1681	Adapter for wheel guard	1	Pc.
3	3251-1681-006	Support for spoke guard, anodised	1	Pc.
	3240-1691-006	U-bracket 120 anodised (18,5 cm)	1	Pc.
4	3240-1692-006	U-bracket 150 anodised (21 cm)	1	Pc.
	3240-1671-002	Strut, silver 20", (17,5 cm)	1	Pc.
5	3240-1672-002	Strut, silver 22", (19,5 cm)	1	Pc.
	3240-1675-002	Strut, silver 24", (22 cm)	1	Pc.
6	1039-0006	Tapping screw with countersunk head	4	Pc.
7	1024-0516	Hexagon socket countersunk head screw zp DIN/ISO 7991 M5x16	1	Pc.
8	1021-0616	Hexagon socket head cap screw zp DIN/ISO 912 M6x16	2	Pc.
9	1055-0005	Washer A5,3 zp DIN/ISO 9021 A5,3	1	Pc.
10	1042-0005	Hexagon nut self-locking zp DIN/ISO 985 M5	1	Pc.

Spare parts



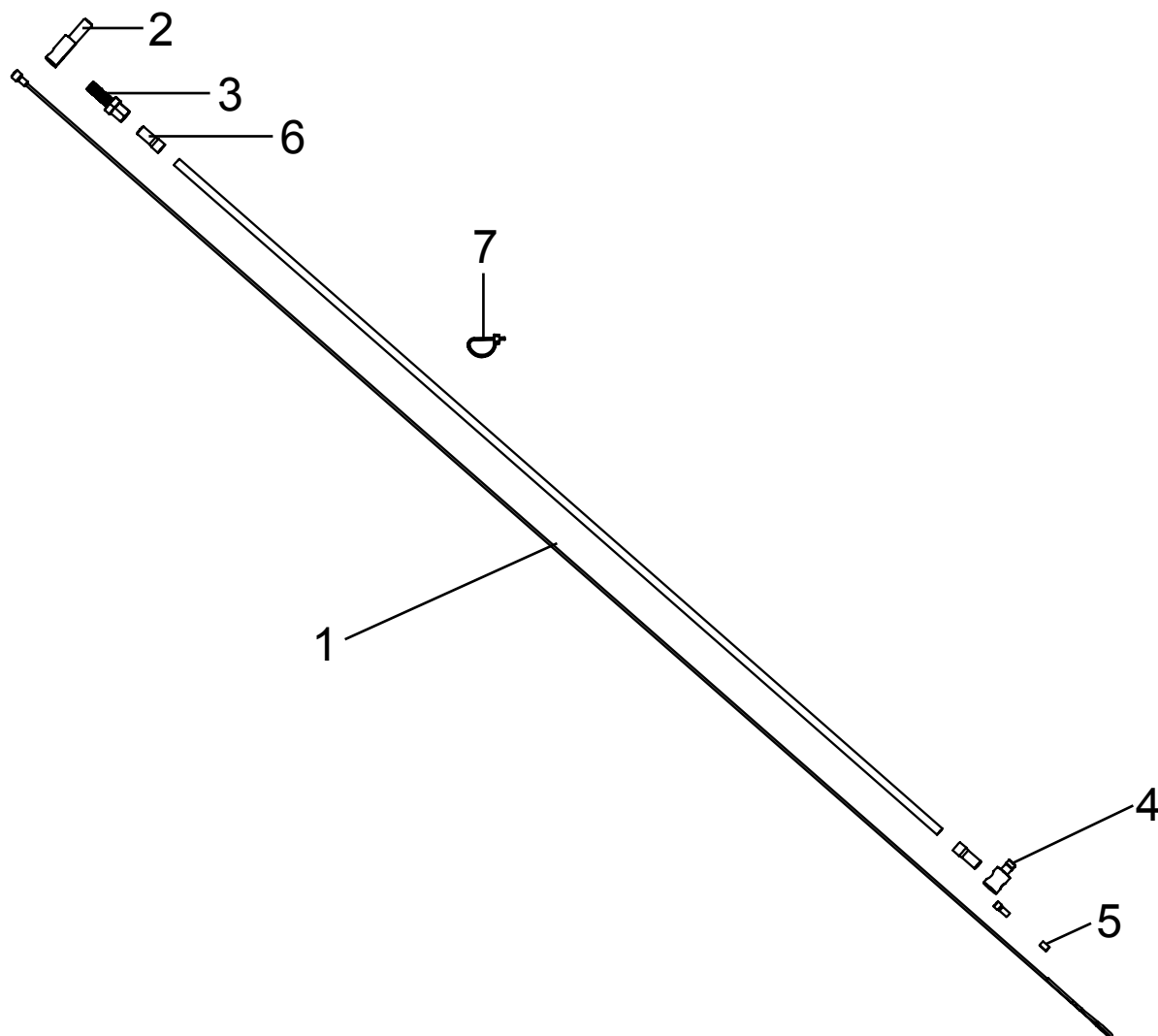
Pos	Article number	Article description	Quantity	Unit
1-12	3240-1740E	Brake lock lever, left	1	Pc.
	3240-1750E	Brake lock lever, right	1	Pc.
1	3251-1741	Base plate brake lock lever, left	1	Pc.
	3240-1751	Base plate brake lock lever, right	1	Pc.
2	3240-1742-002	Brake lock lever, silver	1	Pc.
3	1113-0048	Washer PA natural 16,5x32x1	2	Pc.
4	3240-1743	Lever bearing	1	Pc.
5	3240-1745	Cable support	1	Pc.
6	3240-1747	Cable roll	1	Pc.
7	3251-1744	SBO rubber grip for brake lever	1	Pc.
8	1021-0512	Cylinder head screw zp DIN 912, M5x12	1	Pc.
9	1063-0412	Blind rivet St/St DIN/ISO 7337 S4x12	2	Pc.
10	1024-0516	Hexagon socket countersunk head screw zp DIN/ISO 7991 M5x16	1	Pc.
11	1051-0005	Washer A5,3 zp DIN/ISO 125 A5,3	2	Pc.
12	1042-0005	Hexagon nut self-locking zp DIN/ISO 985 M5	1	Pc.

Spare parts



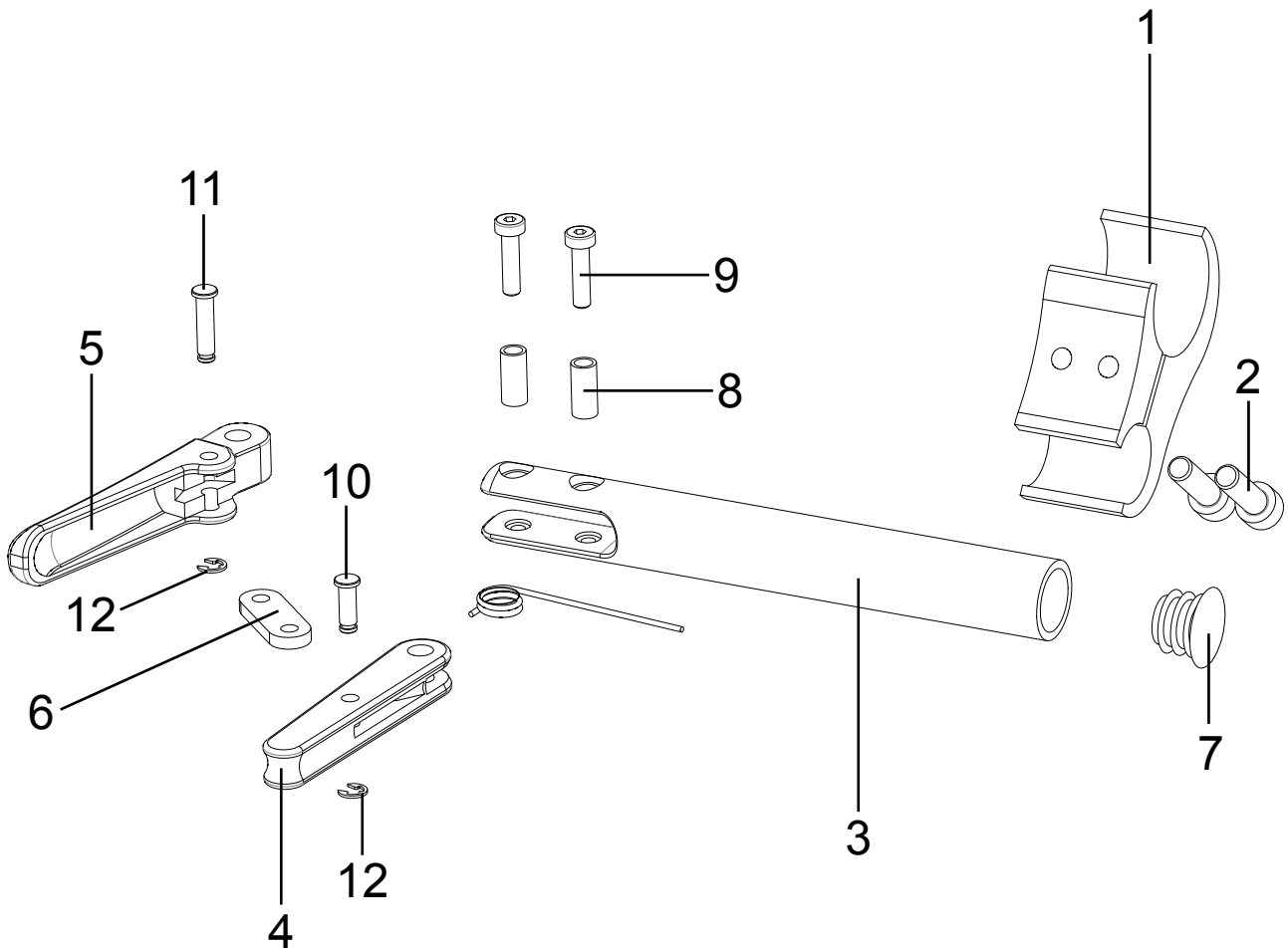
Pos	Article number	Article description	Quantity	Unit
1-8	3240-1710E 3240-1720E	Brake, left Brake, right	1	Pc.
1	3240-1761 3240-1762	Retaining spring, left Retaining spring, right	1 1	Pc. Pc.
2	3240-1711-006	Brake lever bracket, anodised	1	Pc.
3	3240-1712-006	Brake lock lever, anodised	1	Pc.
4	1113-0003	Washer PA 18x8,4x1 black	3	Pc.
5	1099-0014	Ball end cable holder 9/8x15,5 mm hole-4mm	1	Pc.
6	1114-0055	Bushing 8x0,8x8,7	2	Pc.
7	1029-0630	Button head socket screw zp DIN/ISO 7380 M6x30	1	Pc.
8	1042-0006	Hexagon nut self-locking zp DIN/ISO 985 M6	1	Pc.
9-10	3251-1730E	Clamp 30-19, black, with screws	1	Set
9	3251-1733-007	Clamp, 30-19 Fräsgruppe, black anodised	1	Pc.
10	1021-0620	Hexagon socket head cap screw zp DIN/ISO 912 M6x20	1	Pc.

Spare parts



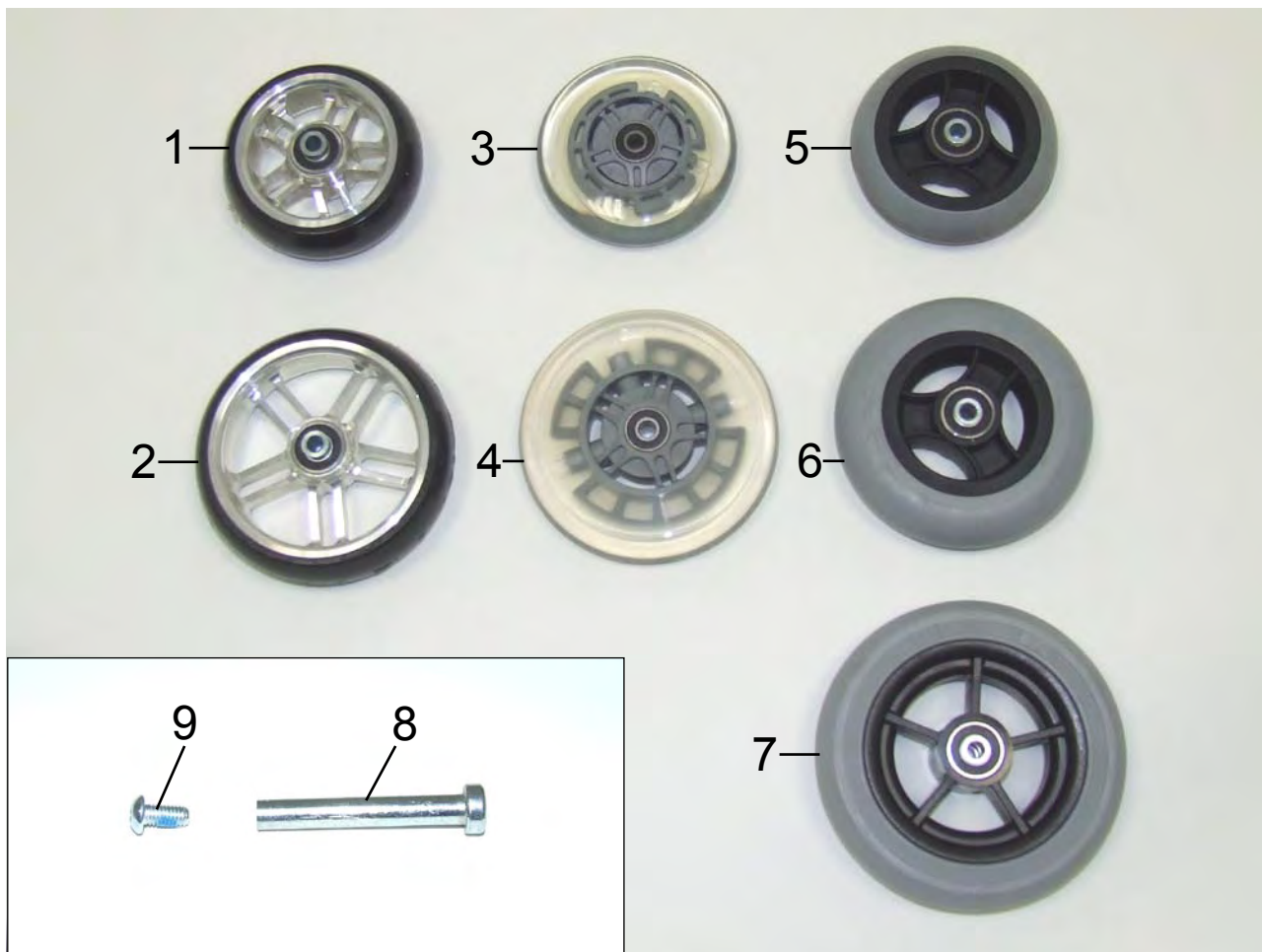
Pos	Article number	Article description	Quantity	Unit
1-7	1209-0024E	Brake cable SUPRA	1	Set
1	1209-0012	Bowden cable	1	Pc.
2	3240-1713	Cross bolt	1	Pc.
3	1099-0003	Adjusting screw with nut M6x20/30	1	Pc.
4	3240-1748	Bearing	1	Pc.
5	1089-0005	Cable clamp	1	Pc.
6	1209-0007	End cap aluminium U-BA-S for Bowdencable wire	2	Pc.
7	1089-0004	Cable tie, black, 5x180	1	Pc.

Spare parts



Pos	Article number	Article description	Quantity	Unit
1-13	3257-1700	HOGGI light wheel locks	1	Set
1	3251-1733-007	Clamp, 30-19, black anodised	2	Pc.
2	1021-0620	Hexagon socket head cap screw zp DIN/ISO 912 M6x20	4	Pc.
3	3257-1711	Support brake lever	2	Pc.
4	3257-1712	Brake lever	2	Pc.
5	3257-1713	Control lever	2	Pc.
6	3257-1714	Knee lever	2	Pc.
7	1141-0005	Ribbed insert SFL 19x0,8-2,5	2	Pc.
8	1114-0009	Bushing zp D8x0,8x13	4	Pc.
9	1022-0416	Zylinderschraube m ISK verz niedriger Kopf DIN/ISO 7984 M4x16	4	Pc.
10	3257-1716	Security pin 10	2	Pc.
11	3257-1715	Security pin 15	2	Pc.
12	1081-0003	Security washer DIN/ISO 6799 verz. 3,2	4	Pc.
13	1133-0020	Leg spring 1,25 x 9,25 x 2,25	2	Pc.

Spare parts



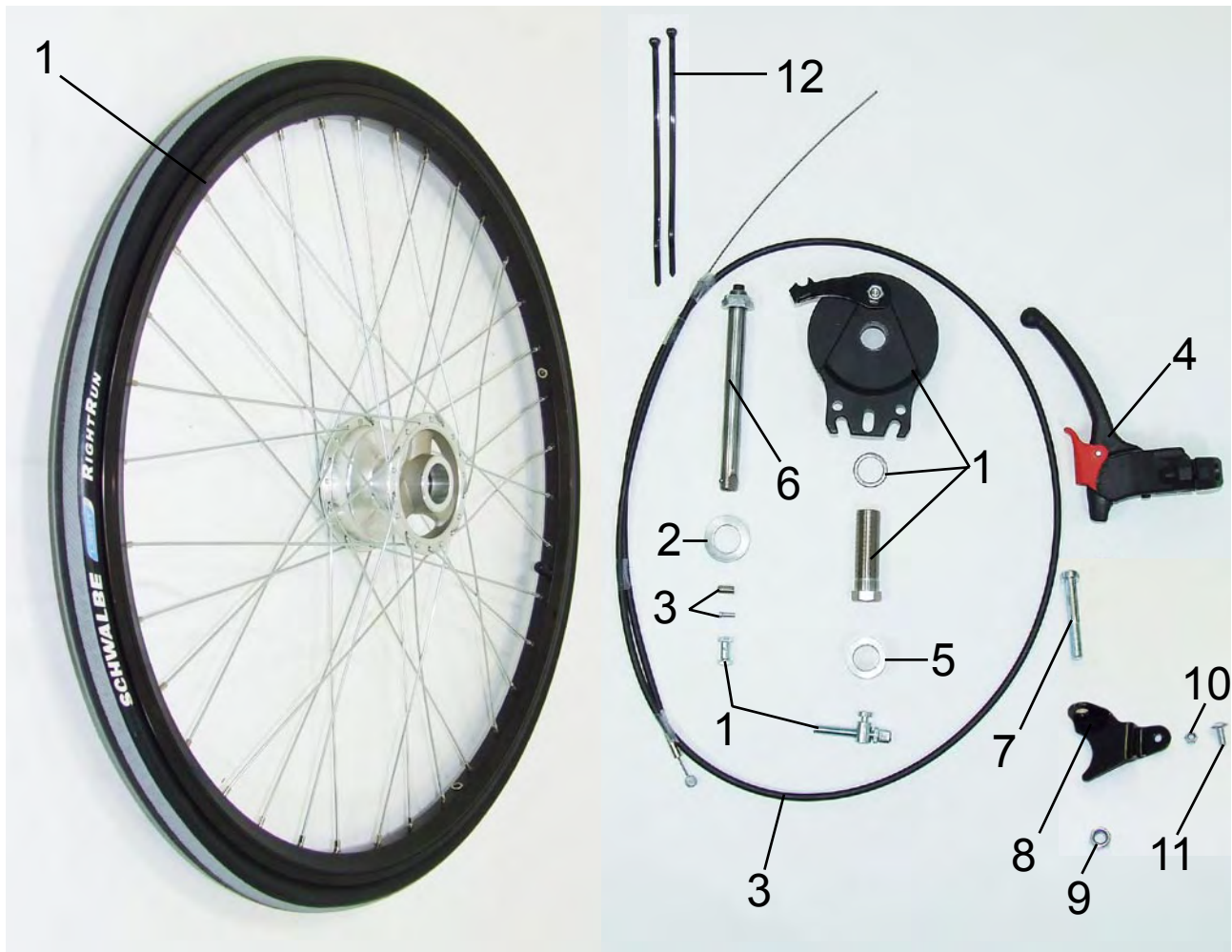
Pos	Article number	Article description	Quantity	Unit
1	1221-0001	PU-front castor with design aluminium rim 100x32	2	Pc.
2	1221-0002	PU-wheels with aluminium design rim 125x32	2	Pc.
3	1249-0005	Skater wheels with illuminating 100x24	2	Pc.
4	1249-0006	Skater wheel with illuminating diode 125x24	2	Pc.
5	1250-0002	Front castor with solid rubber tires 100x32	2	Pc.
6	1250-0003	Front castor with solid rubber tires 125x32	2	Pc.
7	1250-1440	Front castor with solid rubber tires 140x40	2	Pc.
8	1205-0009	Wheel axle L54	2	Pc.
9	1029-6001	Button head socket screw, zp,Tufflock DIN/ISO 7380 M6x12	2	Pc.



Pos	Article number	Article description	Quantity	Unit
1	1211-0007	Pneumatic wheel 20"x1 HOGGI light w/o push rims	2	Pc.
	1211-0008	Pneumatic wheel 22"x1 Hoggi light w/o push rims	2	Pc.
	1211-0009	Pneumatic wheel 24"x1 Hoggi light without push rims	2	Pc.
	1221-0009	Rear wheels with PU-tires 20"x1 3/8 HOGGI light w/o push rims	2	Pc.
	1221-0010	Rear wheels with PU-tires 22"x1 HOGGI light w/o push rims	2	Pc.
	1221-0011	Rear wheels with PU-tires 24"x1 HOGGI light w/o push rims	2	Pc.
2	1205-0010	Adapter with nut M16x1 for quick-release-axle 12/45 mm	2	Pc.
3	1205-0014	Quick release axle 12 x 98 mm	2	Pc.
(not pictured)	1201-0003	Tube for wheel 20x1	2	Pc.
	1201-0004	Tube for wheel 22x1	2	Pc.
	1201-0005	Tube for wheel 24x1	2	Pc.
(not pictured)	1201-0006	Rim band 20"	2	Pc.
	1201-0007	Rim band 22"	2	Pc.
	1201-0008	Rim band 24"	2	Pc.
(not pictured)	1200-0003	Tire for wheel 20x1" grey (Schwalbe Puncture Protection)	2	Pc.
	1200-0006	Tire for wheel 22x1" RightRun HS387 Light	2	Pc.
	1200-0007	Tire for wheel 24x1" RightRun HS387 Light	2	Pc.
(not pictured)	1203-0005	PU-tire 20x1 3/8" grey	2	Pc.
	1203-0006	PU-tire 22x1" grey	2	Pc.
	1203-0007	PU-tire 24x1" grey	2	Pc.

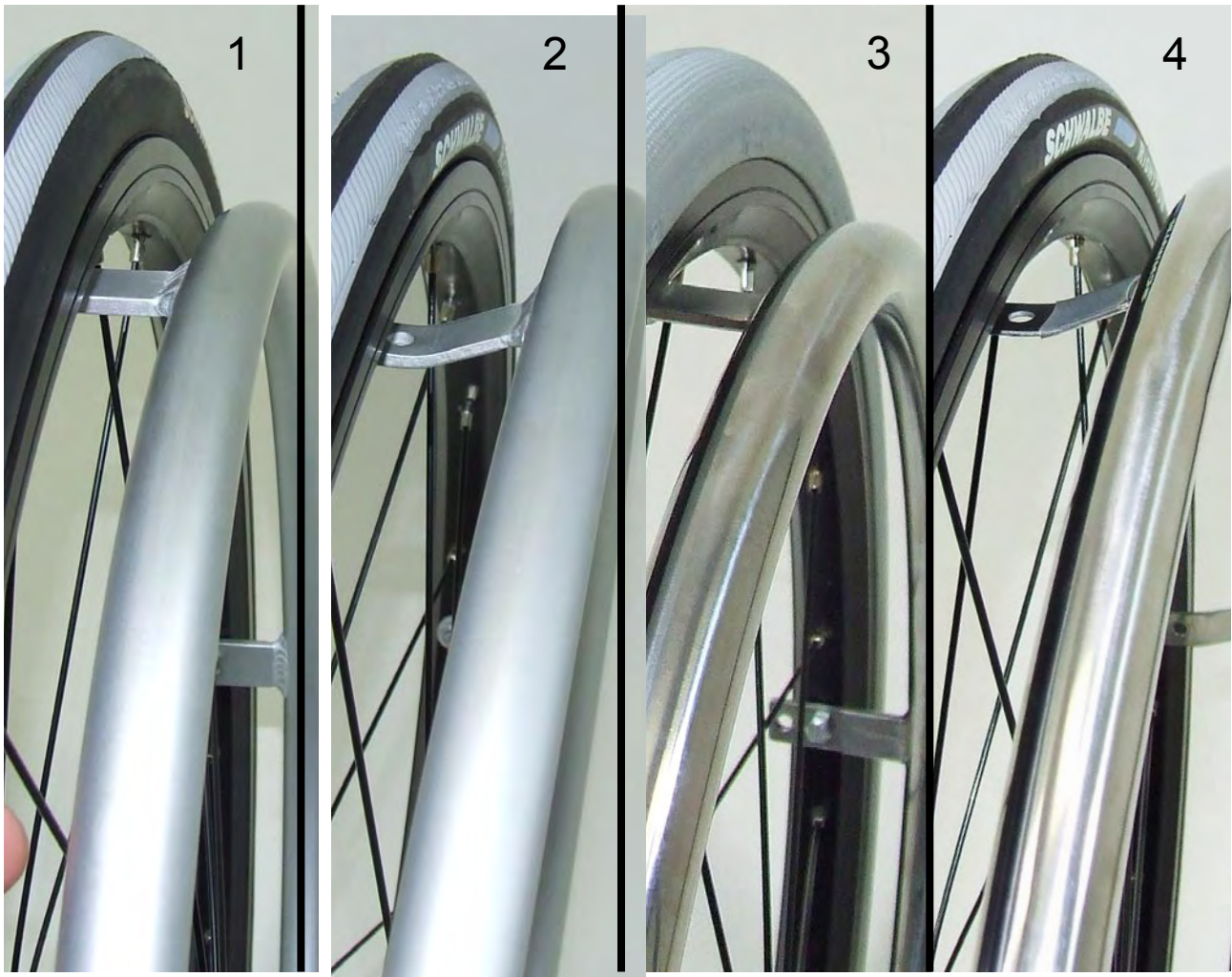
(push rims please see page 20)

Spare parts



Pos	Article number	Article description	Quantity	Unit
1	1219-0013	Pneumatic wheel 20"x1 „HOGGI light“ with drumbrake, left, w/o push rims	1	Pc.
	1219-0014	Pneumatic wheel 20"x1 „HOGGI light“ with drumbrake, right w/o push rim	1	Pc.
	1219-0015	Pneumatic wheel 22"x1 „HOGGI light“ with drumbrake, left, w/o push rim	1	Pc.
	1219-0016	Pneumatic wheel 22"x1 „HOGGI light“ with drumbrake, right, w/o push rim	1	Pc.
	1219-0017	Pneumatic wheel 24"x1 „HOGGI light“ with drumbrake, left, w/o push rims	1	Pc.
	1219-0018	Pneumatic wheel 20"x1 „HOGGI light“ with drumbrake, right, w/o push rims	1	Pc.
	1221-0003	PU-wheel 20"x1 3/8 „HOGGI light“ with drum brake, left, w/o push rim	1	Pc.
	1221-0004	PU-wheel 20"x1 3/8 „HOGGI light“ with drum brake, right, w/o push rim	1	Pc.
	1221-0005	PU-wheel 22"x1 3/8 „HOGGI light“ with drum brake, left, w/o push rim	1	Pc.
	1221-0006	PU-wheel 20"x1 3/8 „HOGGI light“ with drum brake, right, w/o push rim	1	Pc.
	1221-0007	PU wheels 24" with drum brakes, left, w/o push rims	1	Pc.
	1221-0008	PU-Rad 24"x1 „HOGGI light“ mit Trommelbr. rechts, ohne Greifreifen	1	Pc.
2	1052-0016	Spring washer B16 zp DIN/ISO 137 B16	2	Pc.
3	1209-0001	Bowden wire set 1,5m	2	Pc.
4	1209-0008	Brake lever 80° manually locking 22 mm (for push-bar)	2	Pc.
	1209-0026	Brake lever 36° manually locking 25 mm (for push-handle)	2	Pc.
5	1205-0015	Spacer bushing 25x16.2x15	2	Pc.
	1205-0016	Spacer bushing 25x16.2x20	2	Pc.
6	1205-0022	Quick release axle 12 x 108 mm stainless steel	2	Pc.
7	1205-0855	Zylinderschraube mit ISK verzinkt, niedriger Kopf, M8 x 55	2	Pc.
8	1205-0024-001	Braking armature support, left	1	Pc.
(ohne Abb.)	1205-0025-001	Braking armature support, right	1	Pc.
9	1042-0008	Hexagon nut self-locking zp DIN/ISO 985 M8	2	Pc.
10	1042-0005	Hexagon nut self-locking zp DIN/ISO 985 M5	2	Pc.
11	1030-0518	Button head socket screw with flange zp M5x18	2	Pc.
12	1209-0001	Bowden wire set 1,5 m	2	Pc.

Spare parts



Pos	Article number	Article description	Quantity	Unit
1	1204-0006	Aluminiumgreifreifen 20", silber eloxiert, Anbau „standard“	2	Pc.
	1204-0007	Aluminiumgreifreifen 22", silber eloxiert, Anbau „standard“	2	Pc.
	1204-0008	Aluminiumgreifreifen 24", silber eloxiert, Anbau „standard“	2	Pc.
2	1204-0019	Aluminiumgreifreifen 20", silber eloxiert, Anbau „hoch“	2	Pc.
	1204-0020	Aluminiumgreifreifen 22", silber eloxiert, Anbau „hoch“	2	Pc.
	1204-0021	Aluminiumgreifreifen 24", silber eloxiert, Anbau „hoch“	2	Pc.
3	1204-0009	Edelstahl-Greifreifen 20", Anbau „standard“	2	Pc.
	1204-0010	Edelstahl-Greifreifen 22", Anbau „standard“	2	Pc.
	1204-0011	Edelstahl-Greifreifen 24", Anbau „standard“	2	Pc.
4	1204-0022	Edelstahl-Greifreifen 20", Anbau „hoch“	2	Pc.
	1204-0023	Edelstahl-Greifreifen 22", Anbau „hoch“	2	Pc.
	1204-0024	Edelstahl-Greifreifen 24", Anbau „hoch“	2	Pc.

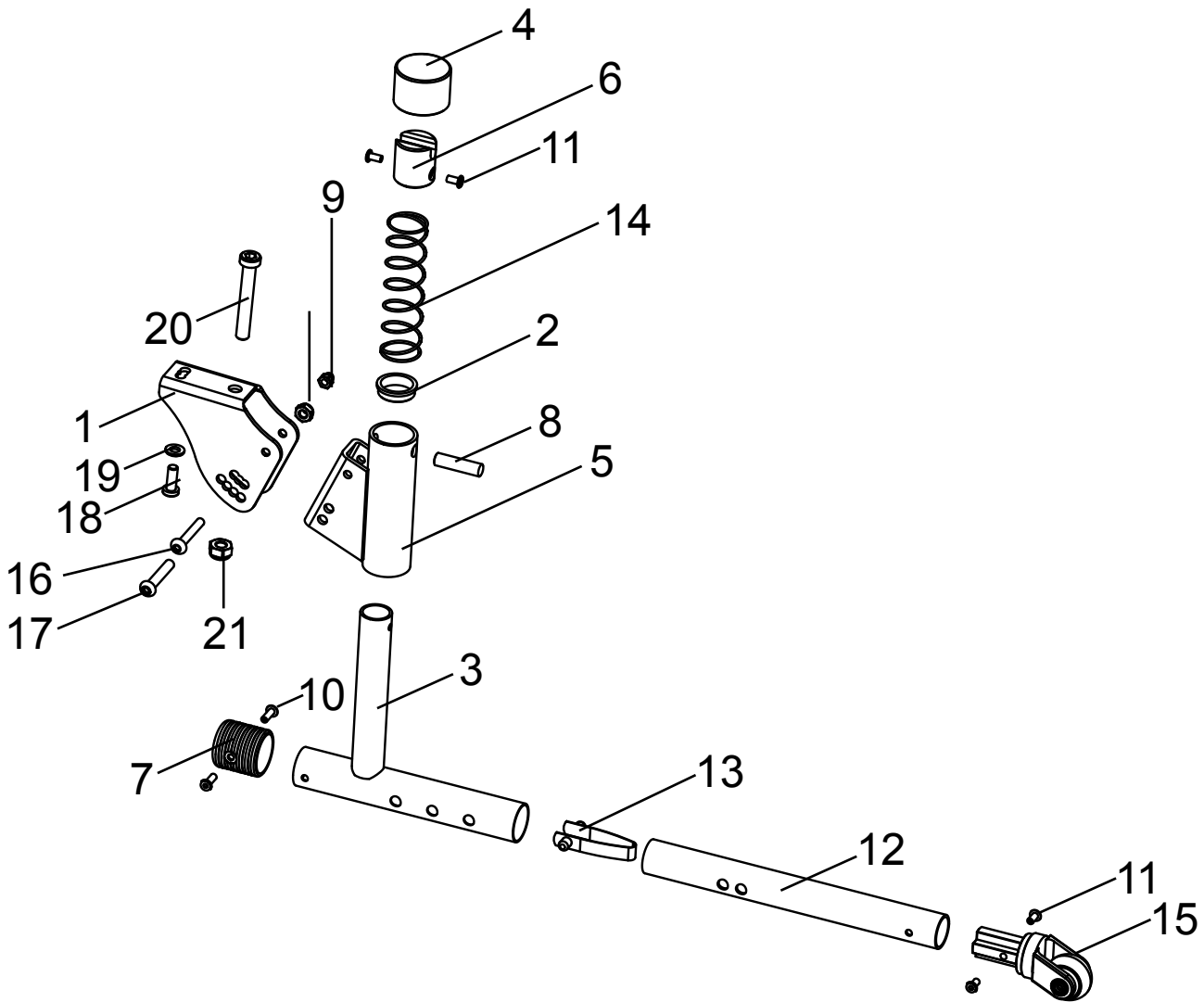
(push rims 20" and 22" with 4 clips, push rim 24" with 6 clips)

Spare parts for accessories



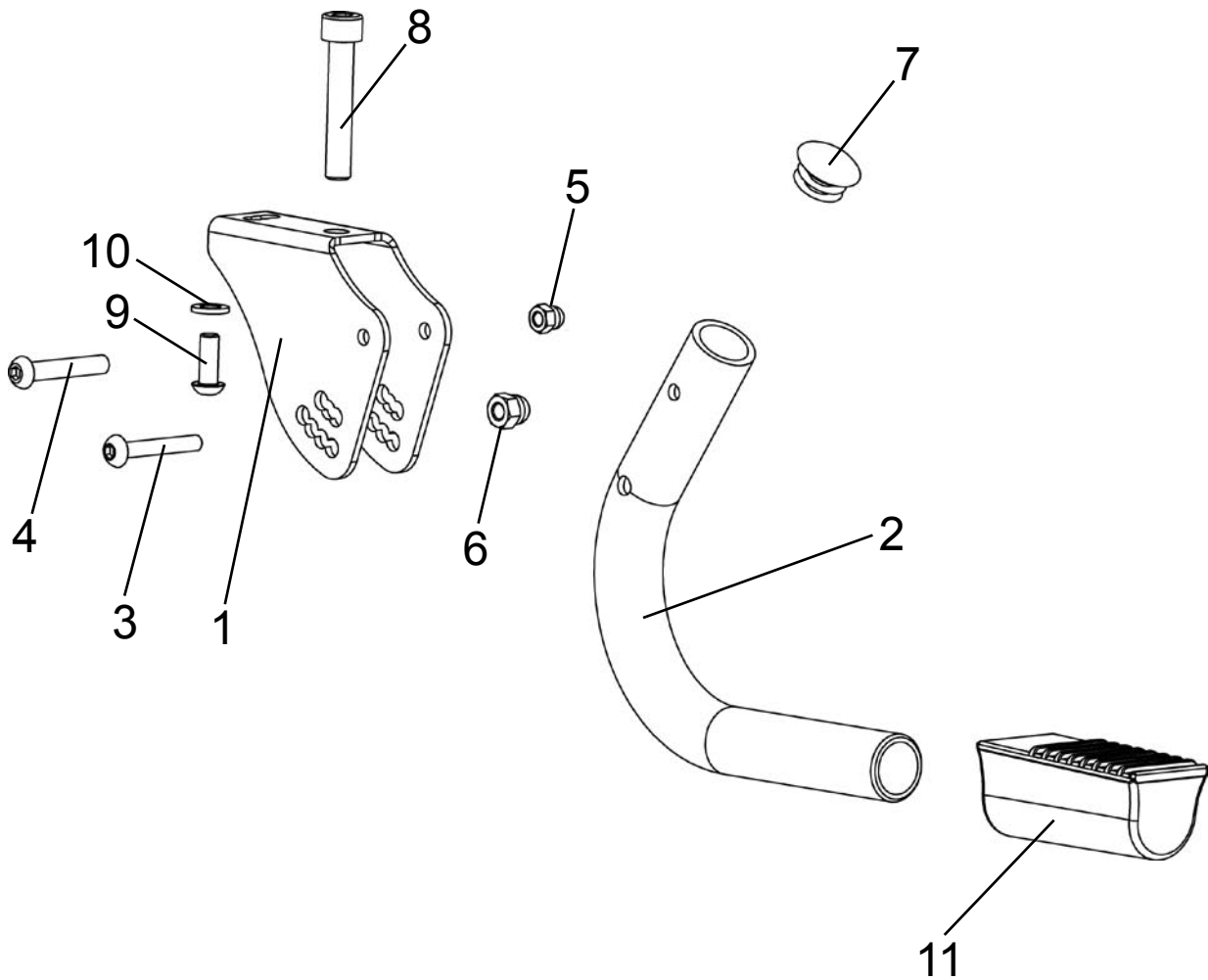
Pos	Article number	Article description	Quantity	Unit
1	3251-2901	Calf strap size 1, suits to SW 24 - 28 cm	1	Pc.
	3251-2902	Calf strap size 2, suits to SW 30 - 34 cm	1	Pc.
	3251-2903	Calf strap size 3, suits to SW 30 - 34 cm	1	Pc.

Spare parts for accessories



Pos	Article number	Article description	Quantity	Unit
1-21	3251-1801	Anti tip, swingaway, left	1	Pc.
	3251-1802	Anti tip, swingaway, right	1	Pc.
1	3251-1811-001	Retainer	1	Pc.
2	3251-1831	Guiding bushing	1	Pc.
3	3251-1845-002	Rotable arm	1	Pc.
4	3251-1832	Cover cap	1	Pc.
5	3251-1823-001	Swing unit, black	1	Pc.
6	3251-1846	Counter bearing	1	Pc.
7	3251-1847	Cap	1	Pc.
8	1071-0830	Parallel pin DIN/ISO 7 6M8x30	1	Pc.
9	1042-0005	Hexagon nut self-locking zp DIN/ISO 985 M5	1	Pc.
10	1062-0412	Blind rivet St/St DIN/ISO 7337 F4x12	2	Pc.
11	1062-0408	Blind rivet St/St DIN/ISO 7337 F4x8	4	Pc.
12	3251-1851-006	Anti-tip tube, anodised	1	Pc.
13	1134-0008	Snap button D-131	1	Pc.
14	1131-0063	Compression D-206B	1	Pc.
15	1249-0007	Insertion fork and castor	1	Pc.
16	1029-0535	Button head socket screw zp DIN/ISO 7380 M5x35	1	Pc.
17	1029-0635	Button head socket screw zp DIN/ISO 7380 M6x35	1	Pc.
18	1021-0616	Hexagon socket head cap screw zp DIN/ISO 912 M6x16	1	Pc.
19	1051-0006	Washer A6,4 zp DIN/ISO 125 A6,4	1	Pc.
20	1021-0855	Hexagon socket head cap screw zp DIN/ISO 912 M8x55	1	Pc.
21	1042-0008	Hexagon nut self-locking zp DIN/ISO 985 M8	1	Pc.
22	1042-0006	Hexagon nut self-locking zp DIN/ISO 985 M6	1	Pc.

Spare parts for accessories



Pos	Article number	Article description	Quantity	Unit
1-11	3251-1901	Tip assist, left	1	Pc.
	3251-1902	Tip assist, right	1	Pc.
1	3251-1811-001	Retainer	1	Pc.
2	3251-1910-002	Tube bar for anti-tip	1	Pc.
3	1029-0535	Button head socket screw zp DIN/ISO 7380 M5x35	1	Pc.
4	1029-0635	Button head socket screw zp DIN/ISO 7380 M6x35	1	Pc.
5	1044-0005	Hexagonal domed cap nut self-locking zp DIN/ISO 986 M5	1	Pc.
6	1044-0006	Hexagonal domed cap nut self-locking zp DIN/ISO 986 M6	1	Pc.
7	1141-0008	Ribbed insert SFL 22x0,8-3,0	1	Pc.
8	1021-0845	Cylinder head screw zp DIN/ISO 912 M8x45	1	Pc.
9	1021-0616	Hexagon socket head cap screw zp DIN/ISO 912 M6x16	1	Pc.
10	1051-0006	Washer A6,4 zp DIN/ISO 125 A6,4	1	Pc.
11	7000-0068	Pedal D22 72x33 mm	1	Pc.
12	1042-0008	Hexagon nut self-locking zp DIN/ISO 985 M8	1	Pc.
13	1051-0008	Washer A8,4 zp DIN/ISO 125 A8,4	1	Pc.

Spare parts for accessories

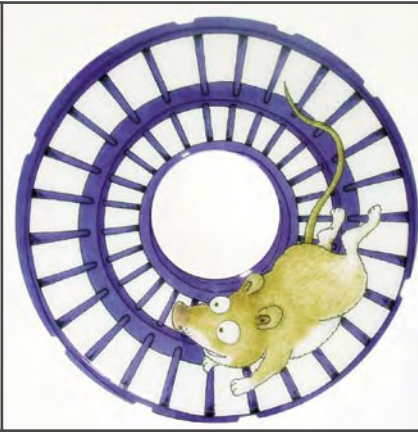


Pos	Article number	Article description	Quantity	Unit
1	3251-71SB-322	Seat cushion 3 cm thick, „standard SW“ 24 cm - 30 cm, black checked pattern	1	Pc.
	3251-71SB-322	Seat cushion 3cm thick, „non standard SW“ 32 cm - 40 cm, black checked pattern	1	Pc.
	3252-71SB-322	Seat cushion 3 cm thick, „standard SW“ 28 cm - 34 cm, black checked pattern	1	Pc.
	3252-71SB-322	Seat cushion 3 cm thick, „non standard SW“ 24, 26, 36 cm - 40 cm, black checked pattern	1	Pc.
	3253-71SB-322	Seat cushion 3 cm thick,„standard SW“ 32 cm - 40 cm, black checked pattern	1	Pc.
	3253-71SB-322	Seat cushion 3 cm thick,„non standard SW“ 24 cm - 30 cm, black checked pattern	1	Pc.

Spare parts for accessories



Wonderland - Designcode: 202



Mouse - Designcode: 203



Waterworld - Designcode: 204



Train - Designcode: 205



Dragon - Designcode: 206



Circus - Designcode: 207



Pos	Article number	Article description	Quantity	Unit	
1-2	1204-1012	Spoke guards 20", transparent	1	Set	
	1204-1013	Spoke guards 22", transparent	1	Set	
	1204-1014	Spoke guards 24", transparent	1	Set	
	1204-1018	Spoke guards 22" for drum brakes, transparent	1	Set	
	1204-1019	Spoke guards 24" for drum brakes, transparent	1	Set	
	1204-1013-xxx	Spoke guards 22", bedruckt	1	Set	
	1204-1014-xxx	Spoke guards 24", bedruckt	1	Set	
	1204-1018-xxx	Spoke guards 22" for drum brakes, bedruckt	1	Set	
	1204-1019-xxx	Spoke guards 24" for drum brakes, bedruckt	1	Set	
	1 (not pictured)	1204-0012	Spoke guards 20", transparent	2	Pc.
		1204-0031	Spoke guards 22", transparent	2	Pc.
		1204-0032	Spoke guards 24", transparent	2	Pc.
		1204-0033	Spoke guards 22" for drum brakes, transparent	2	Pc.
		1204-0034	Spoke guards 24" for drum brakes, transparent	2	Pc.
1204-0031-xxx		Spoke guards 22", bedruckt	2	Pc.	
1204-0032-xxx		Spoke guards 24", bedruckt	2	Pc.	
1204-0033-xxx		Spoke guards 22" for drum brakes, bedruckt	2	Pc.	
2 (not pictured)	1204-0034-xxx	Spoke guards 24" for drum brakes, bedruckt	2	Pc.	
	1205-0020	Mounting clips for spoke guards, PA black	12	Pc.	
	1205-0033	Mounting clips for spoke guards, PA transparent	12	Pc.	

xxx = Please complete the designcode!

Your notes:

Hersteller:

HOGGI GmbH
Eulerstraße 27

D - 56235 Ransbach-Baumbach

Fon: (+49) 26 23 / 92 499-0 · Fax: (+49) 26 23 / 92 499-99
info@hoggi.de · www.hoggi.de