



*Shaping better lives.*

**SHUTTLE**  
**DISCOVERY**

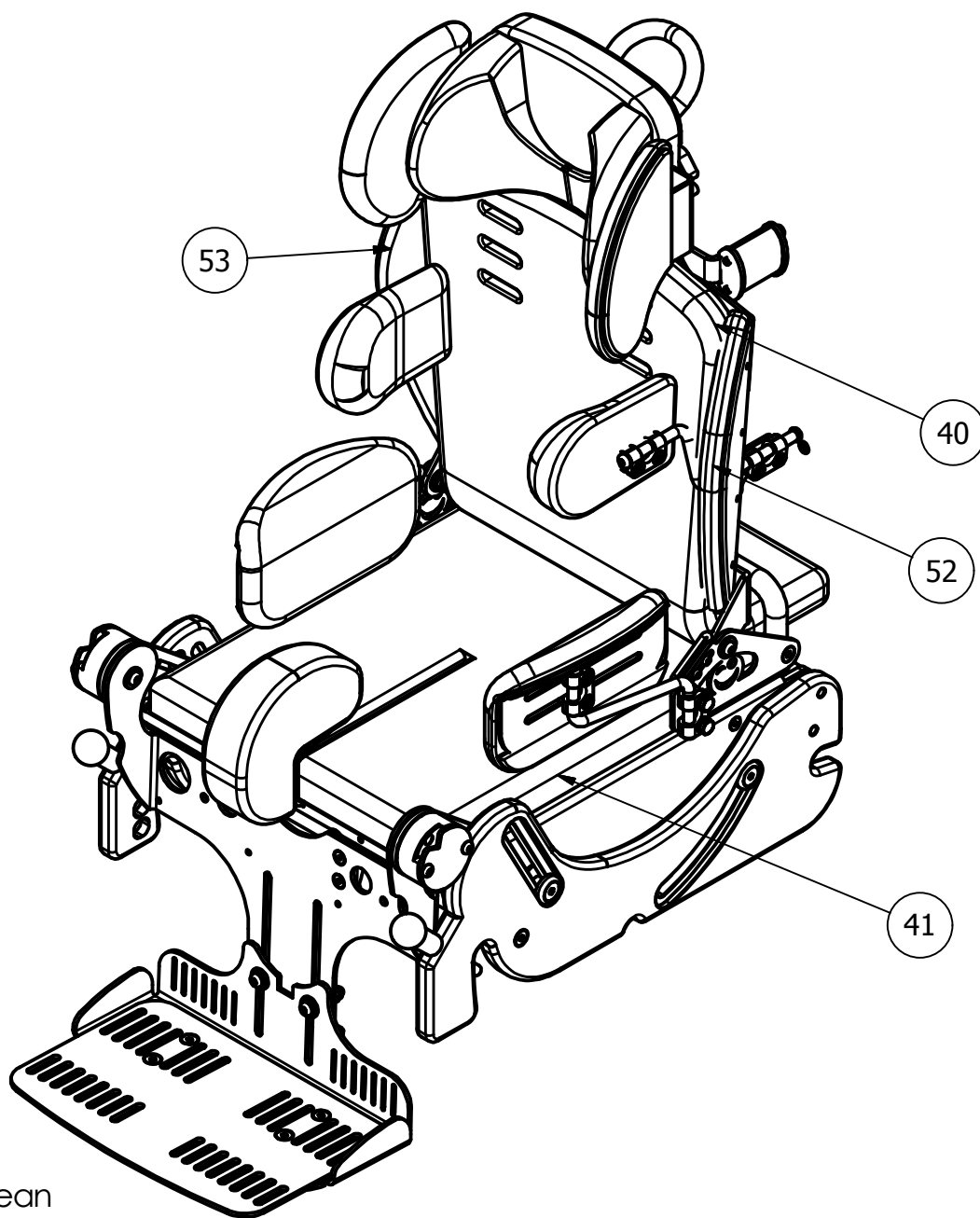
***Spares List***



[www.shuttlediscovery.com](http://www.shuttlediscovery.com)

*Patents Pending*

## Seat & Backrest Padding

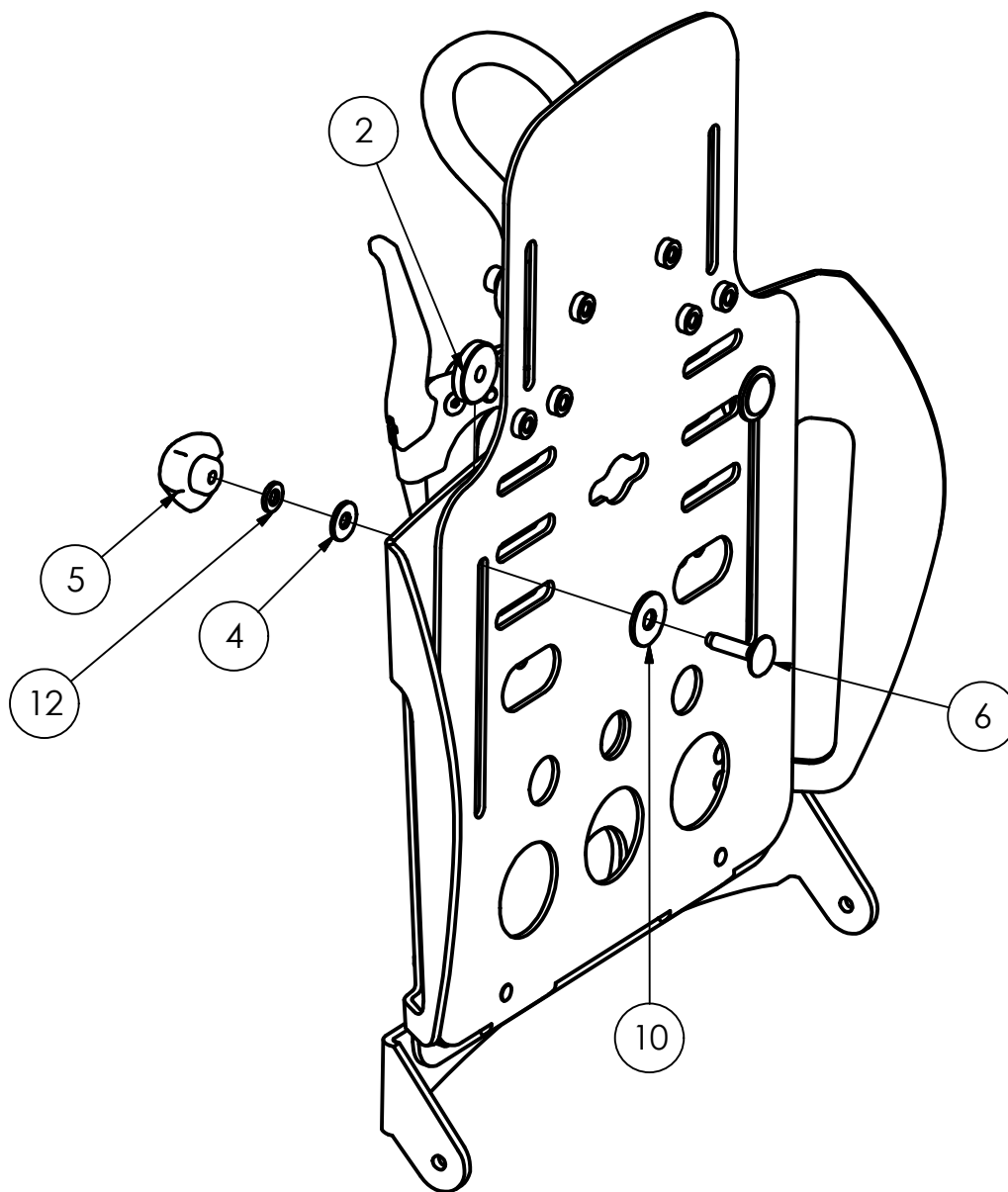


- 060 : Ocean
- 028 : Calypso
- 030 : Mango
- 099 : Jet Black
- 209 : Ink Black Dartex

### PARTS LIST

ITEM	QTY	STOCK NUMBER	DESCRIPTION
40	1	2006-2400-0XX	Padding Backrest Assembly- Black
41	1	2006-0400-0XX	Seat Cushion Complete - Black
52	1	2006-2431-099	Backrest Wing LH Cover only in Black
52	1	2006-2441-300	Backrest Wing LH Foam
53	1	2006-2432-099	Backrest Wing RH cover in Black
53	1	2006-2442-300	Backrest Wing foam inner

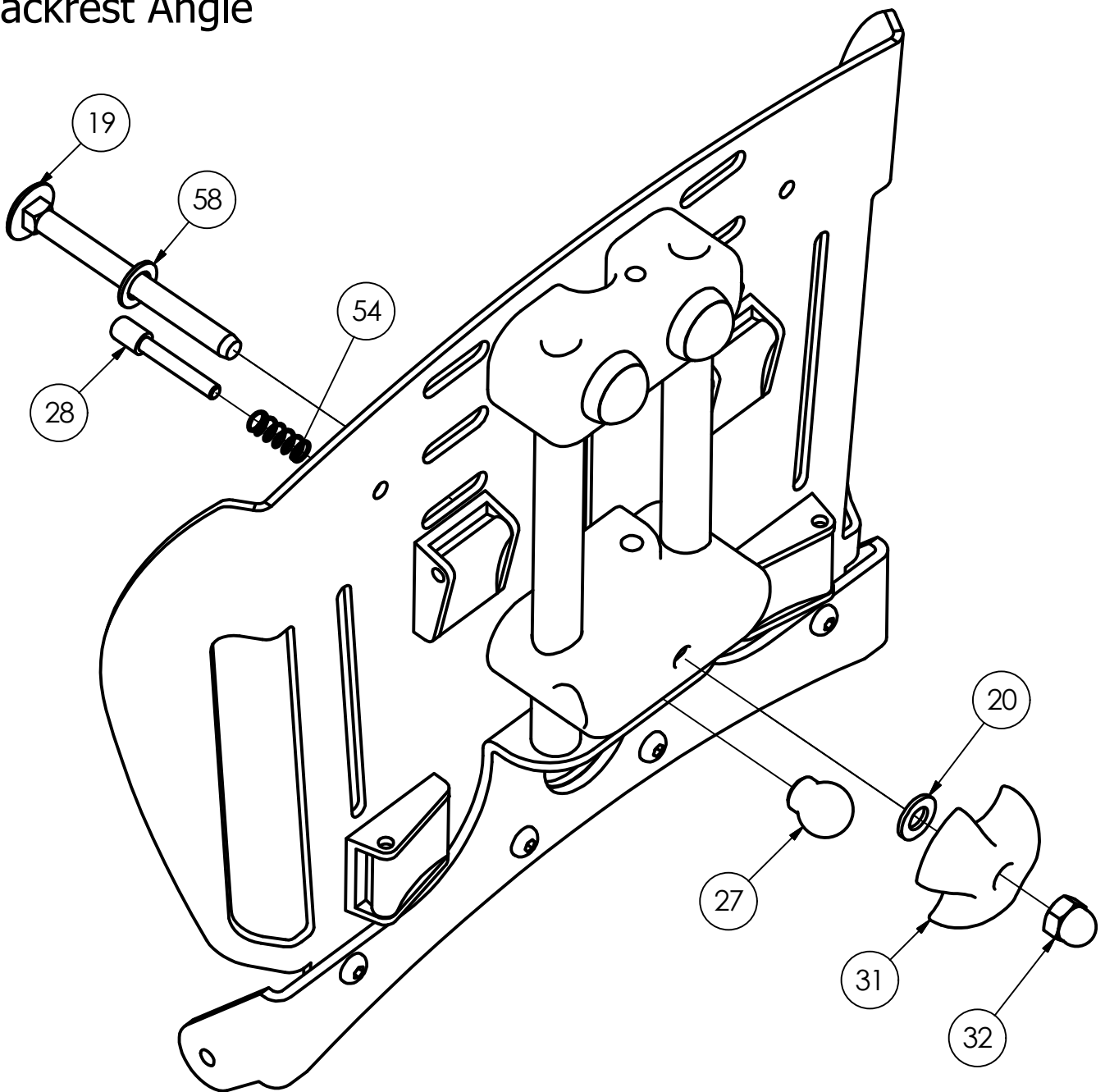
## Backrest Height



### PARTS LIST

ITEM	QTY	STOCK NUMBER	DESCRIPTION
2	2	2006-2156-000	Plastic washer 25OD 1
4	2	2006-9005-000	Plastic washer OD 15.8 x ID 6.448 X 1.5T
5	2	2006-9101-000	Lobe Knob 1138
6	2	2006-9218-000	M6 X 25 Coach Bolt, ZP
10	2	2006-9010-000	M8 Plastic washer OD 22 x 8.0ID x 1.6T
12	2	2006-9210-000	M6X12.5X1.2 Light flat washer, ZP

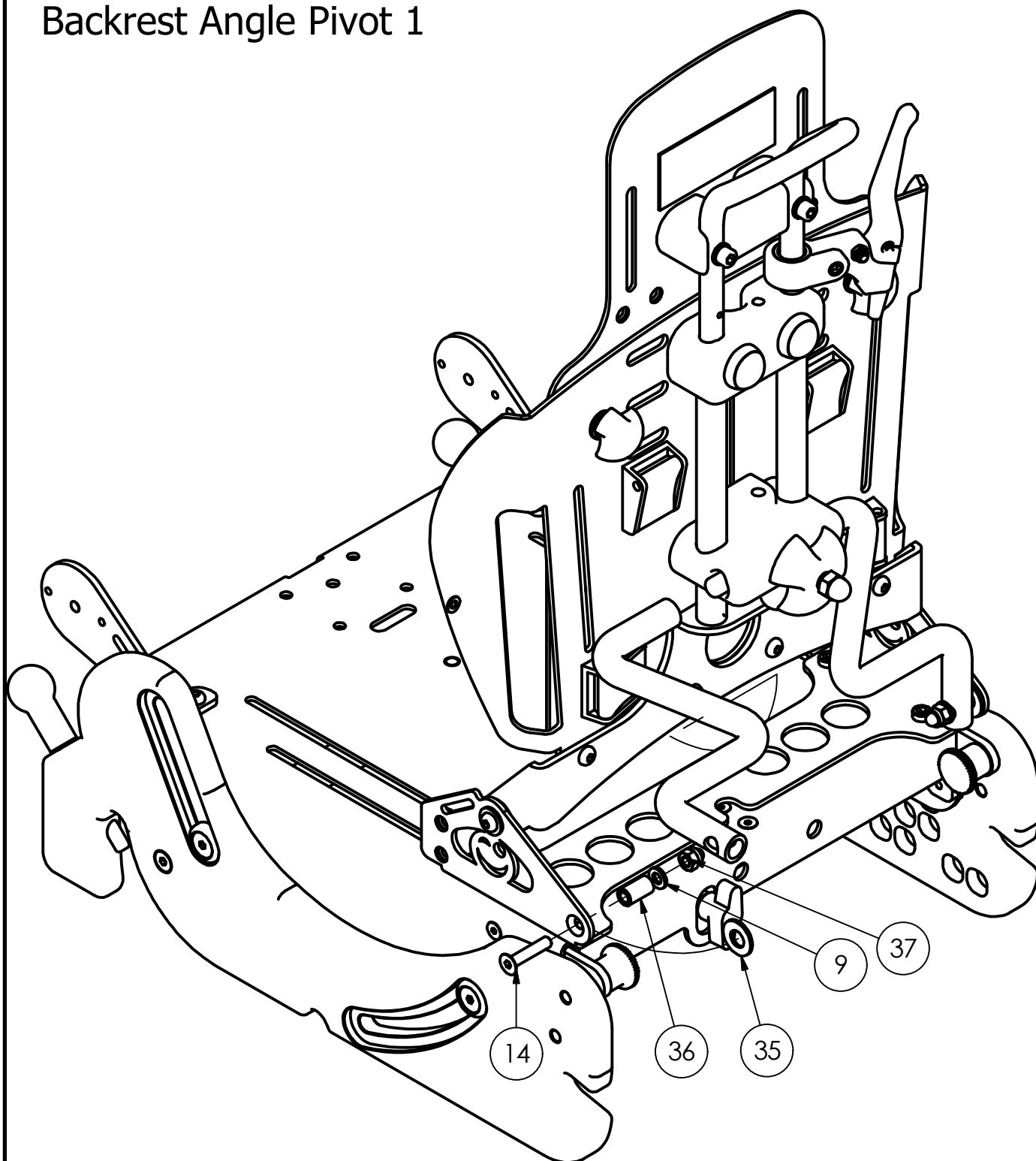
## Backrest Angle



### PARTS LIST

ITEM	QTY	STOCK NUMBER	DESCRIPTION
19	1	2006-9220-000	M8 X 90 Coach bolt , ZP
20	1	2006-9211-000	M8X16X1.2 Light flat washer, ZP
27	1	2006-2133-000	Backrest Stop Knob
28	1	2006-2134-000	Backrest Locking Pin
31	1	2006-9102-000	Lobe Knob 1138 M8 X 50 MM
32	1	0054-NTND-M6ZP	M6 Nut nyloc dome locknut
54	1	2005-0206-018	Spring 7.8 mm OD x 28 MM Long x 11 Turns
58	1	2006-9020-000	NordLock Zpg 10mm

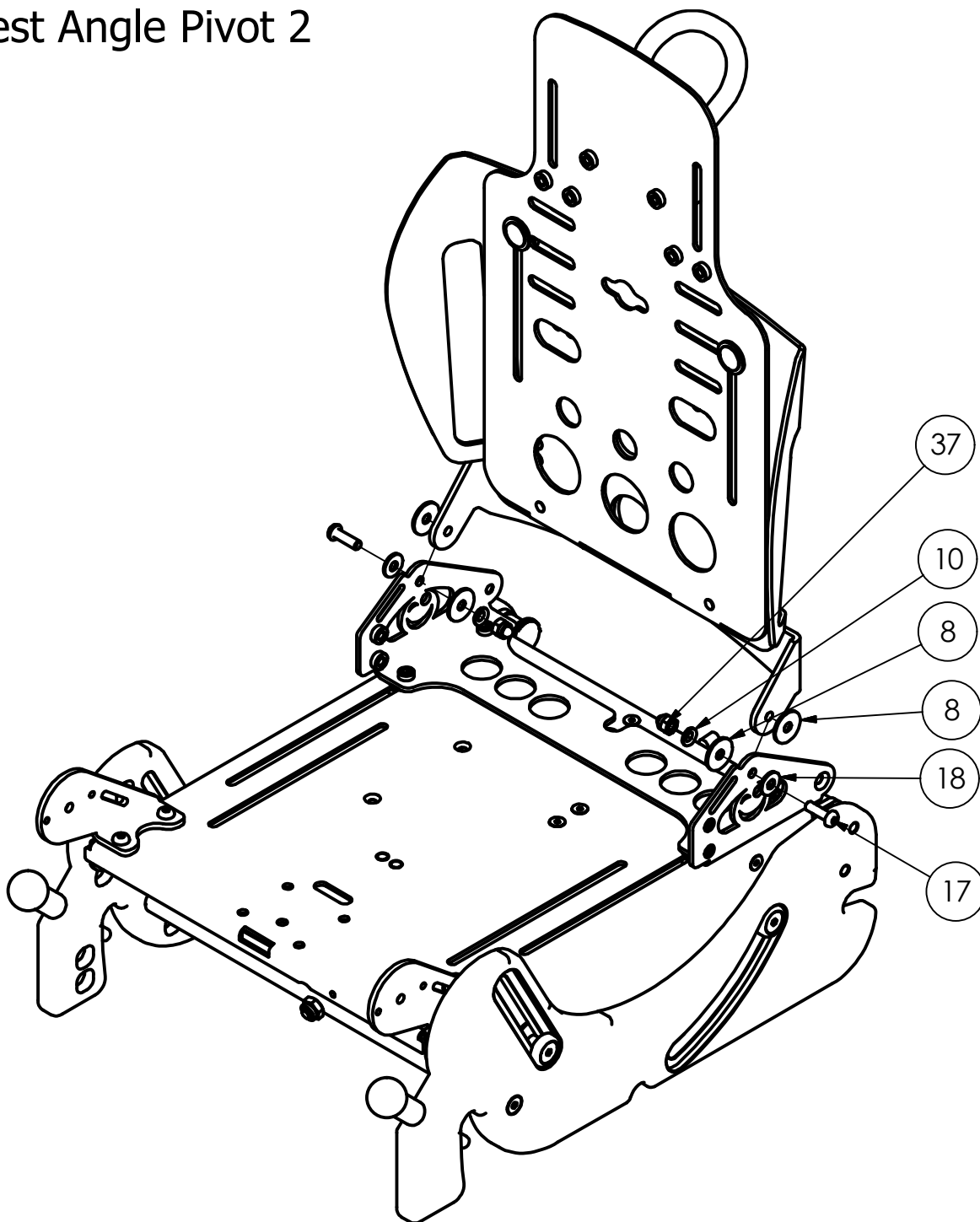
## Backrest Angle Pivot 1



### PARTS LIST

ITEM	QTY	STOCK NUMBER	DESCRIPTION
9	4	2006-9210-000	M6X12.5X1.2 Light flat washer, ZP
14	2	2006-9227-000	M6 X 30 Countersunk socket head screw, ZP
35	2	2006-9009-000	M10 plastic washer OD 20.5 x ID 10.1 X 1.65T
36	2	2006-2136-100	Bronze Bush For Bow Tube
37	2	0054-NTND-M6ZP	M6 Nyloc dome locknut, ZP

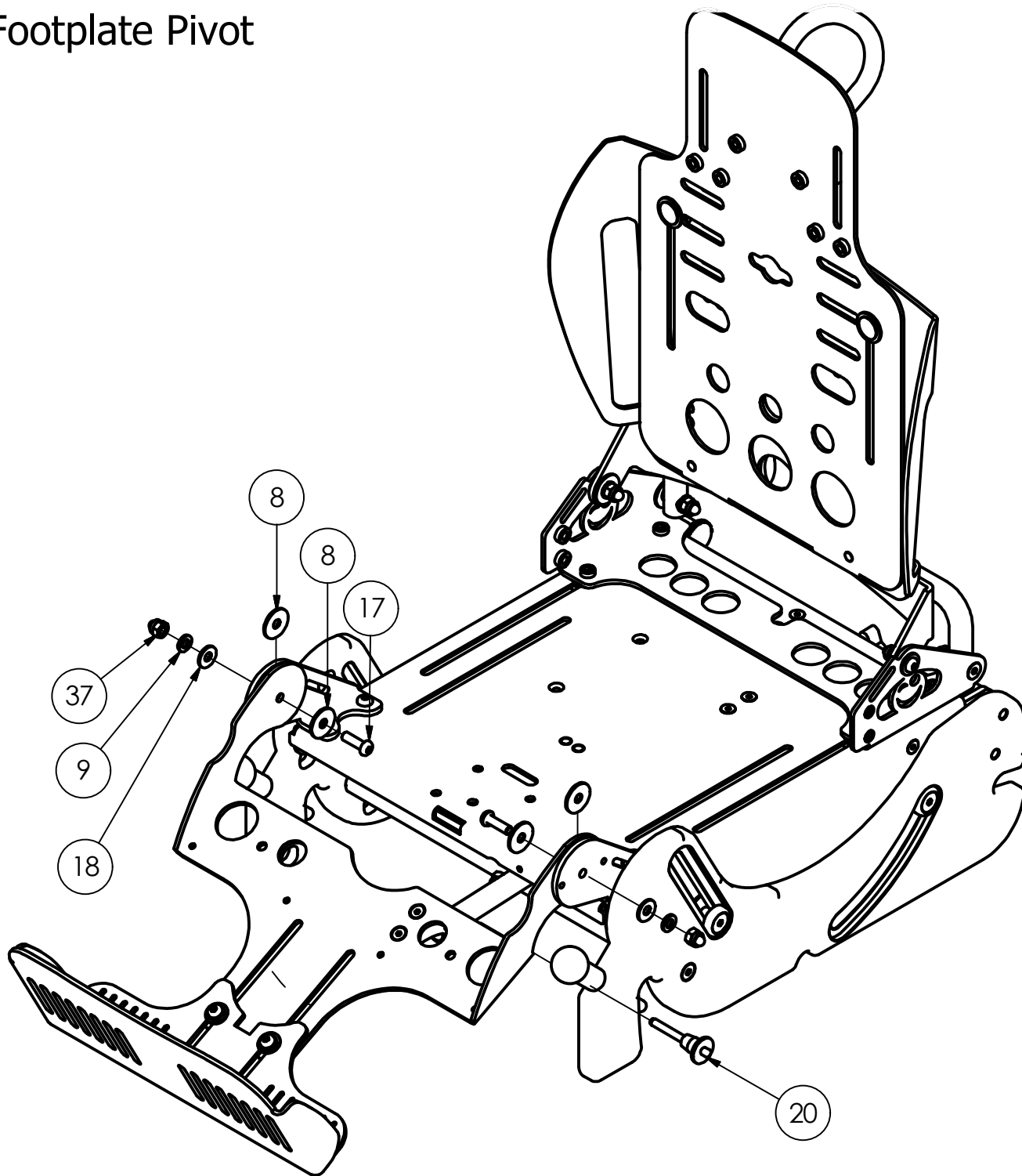
## Backrest Angle Pivot 2



### PARTS LIST

ITEM	QTY	STOCK NUMBER	DESCRIPTION
8	8	2006-9004-000	M6 Plastic washer OD 22 x 6.5ID x 1.6T
10	2	2006-9213-000	M6 Spring washer, ZP
17	4	2006-9244-000	M6 X 20 Button head socket screw, ZP
18	4	2006-9005-000	Plastic washer OD 15.8 x ID 6.448 X 1.5T
37	2	0054-NTND-M6ZP	M6 Nyloc dome locknut

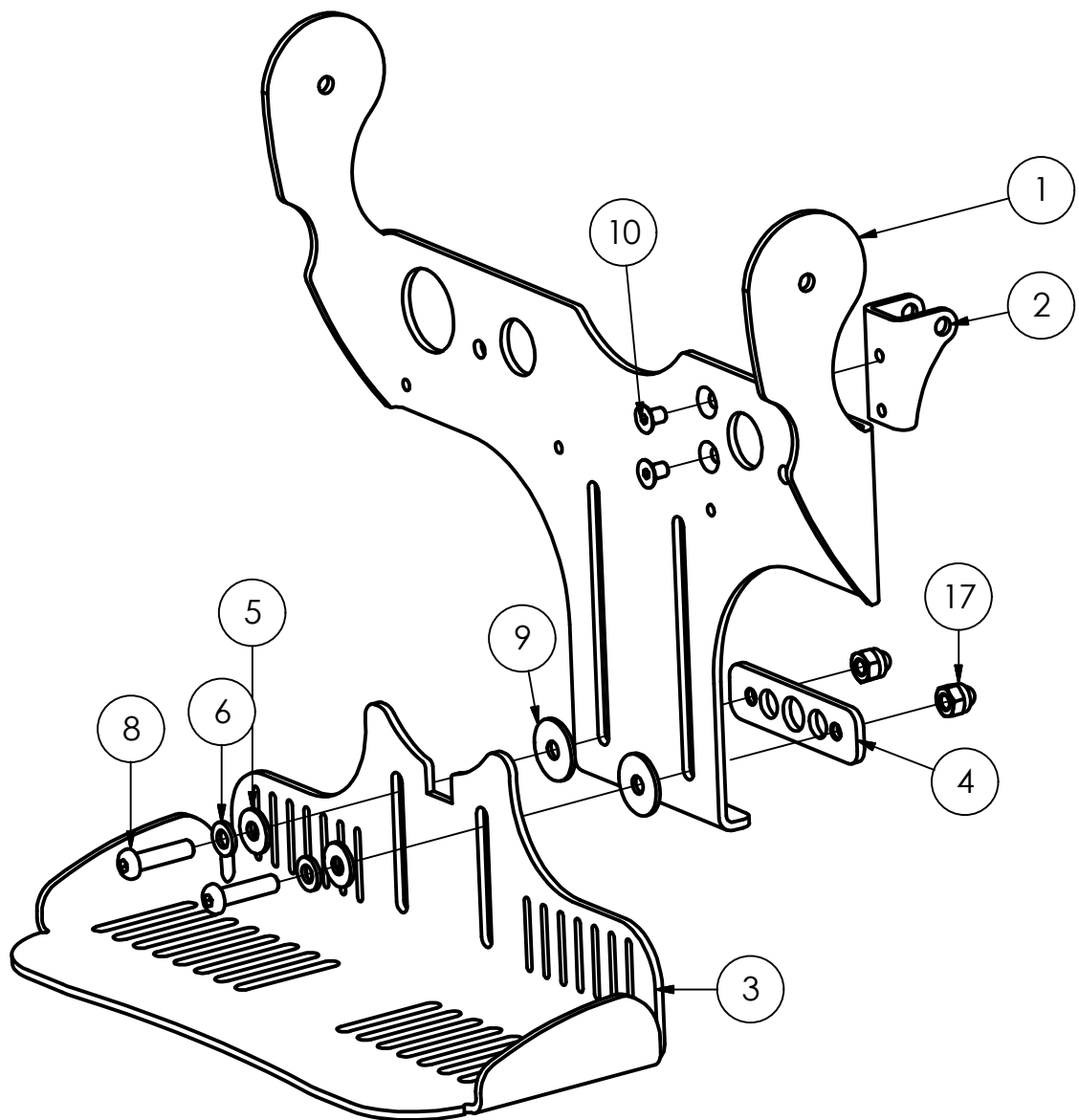
## Footplate Pivot



### PARTS LIST

ITEM	QTY	STOCK NUMBER	DESCRIPTION
8	4	2006-9004-000	M6 Plastic washer OD 22 x 6.5ID x 1.6T
9	2	2006-9210-000	M6X12.5X1.2 Light flat washer, ZP
17	2	2006-9244-000	M6 X 20 Button head socket screw, ZP
18	2	2006-9005-000	Plastic washer OD 15.8 x ID 6.448 X 1.5T
20	1	2005-5112-000	Quick Release Pin 6.0 x 25 mm Grip
37	2	0054-NTND-M6ZP	M6 Nyloc dome locknut, ZP

## Lower Footplate

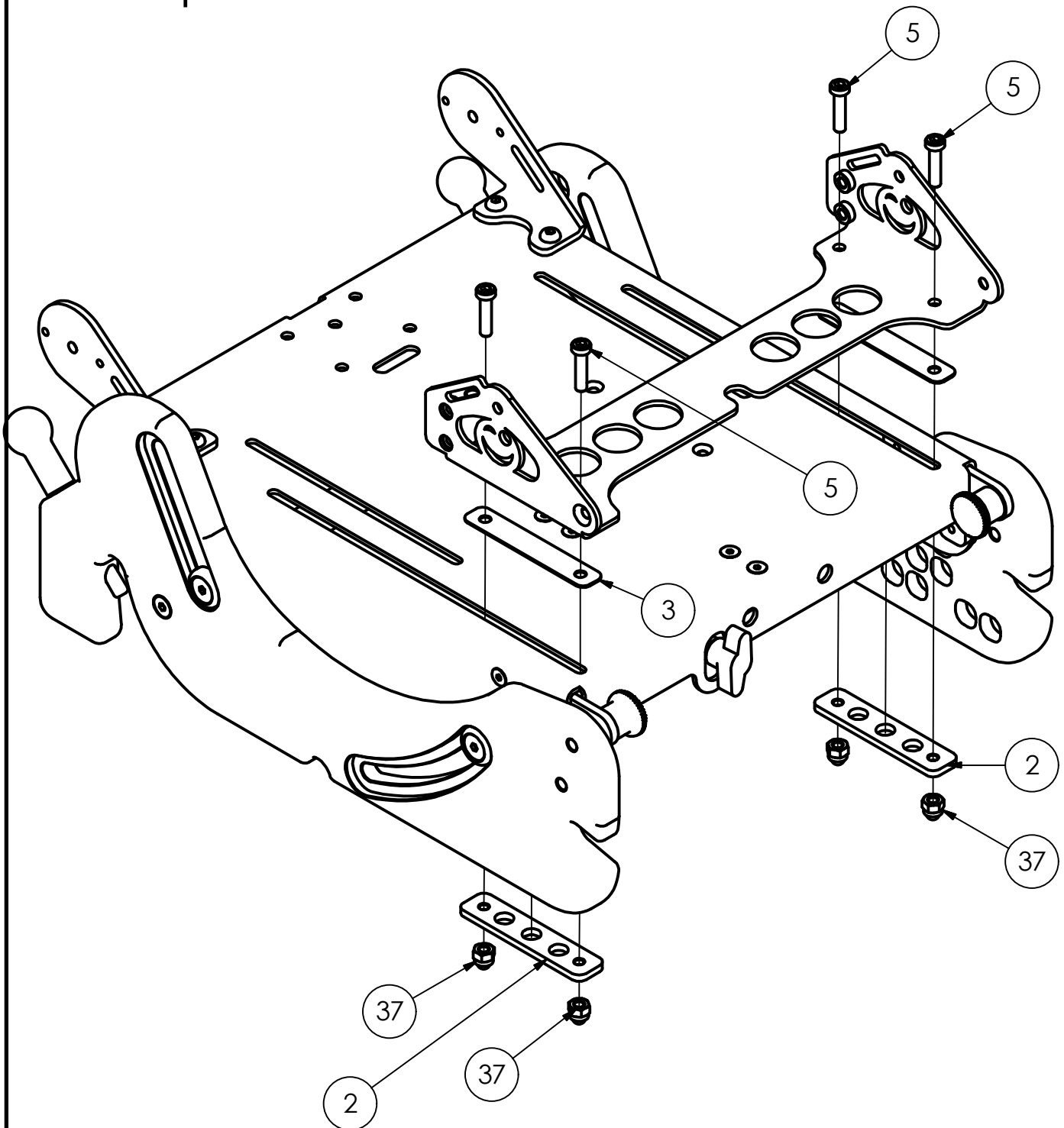


### PARTS LIST

ITEM	QTY	STOCK NUMBER	DESCRIPTION
1	1	2006-5101-000	Footrest Hinge Cross Bracket
2	1	2006-5102-000	Footplate Angle Bracket
3	1	2006-5103-000	Lower Footplate
4	1	2006-5104-000	Footplate Height Clamping Plate
5	2	2006-9005-000	Plastic washer OD 15.8 x ID 6.448 X 1.5T
6	2	2006-9210-000	M6X12.5X1.2 light flat washer, ZP
8	2	2006-9245-000	M6 X 25 Button head socket screw, ZP
9	2	2006-9004-000	M6 Plastic washer OD 22 x 6.5ID x 1.6T
10	2	2006-9225-000	M5 X 8 Countersunk Head socket screw, ZP
17	2	0054-NTND-M6ZP	M6 Nyloc dome locknut, ZP



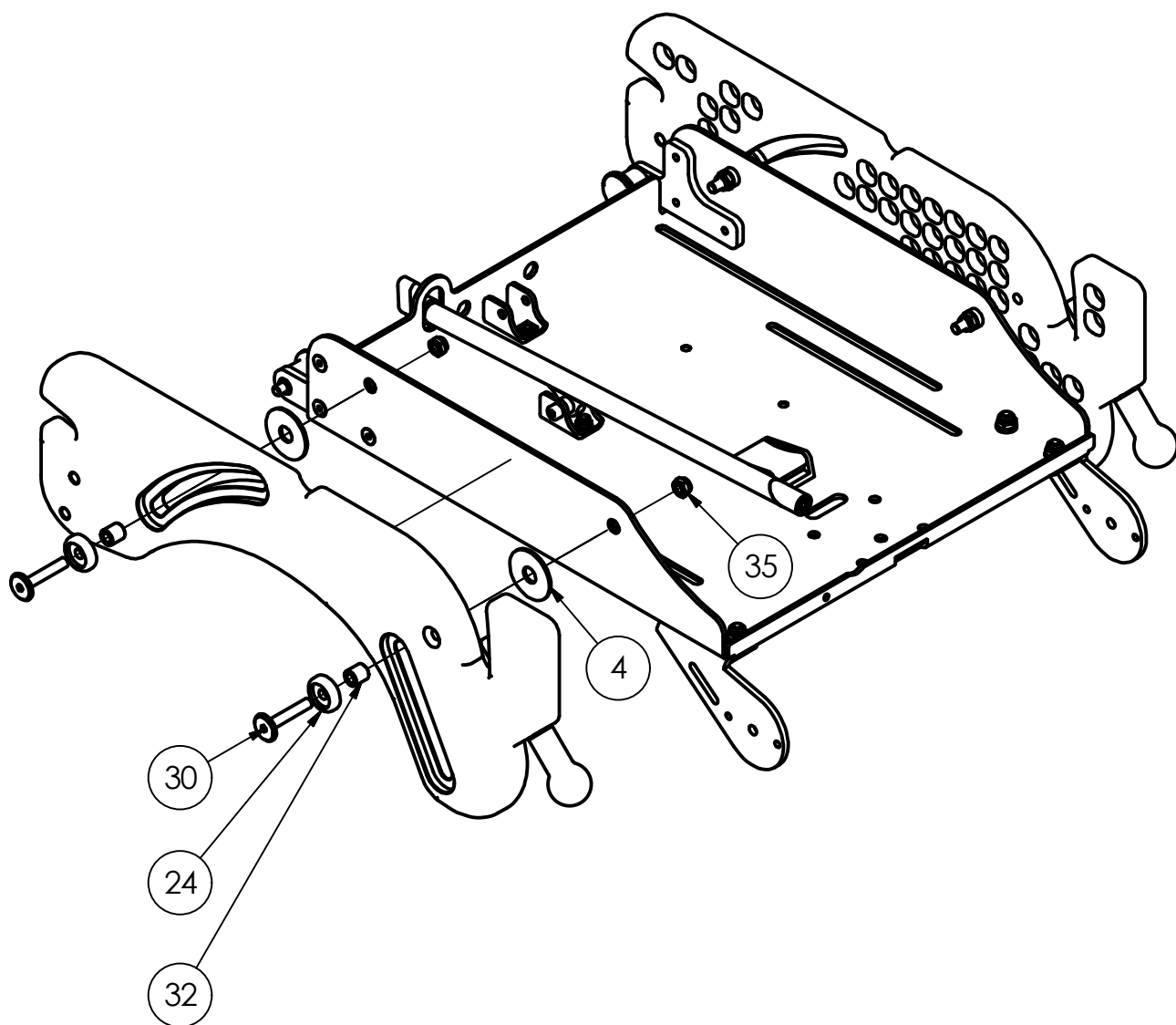
## Seat Depth



### PARTS LIST

ITEM	QTY	STOCK NUMBER	DESCRIPTION
2	2	2006-2112-000	Seat Depth Clamping Plate
3	2	2006-2113-000	Seat Depth PTFE Spacer
5	4	2006-9221-000	M6 X 25 Low head cap socket head, ZP
37	4	0054-NTND-M6ZP	M6 nyloc dome locknut, ZP

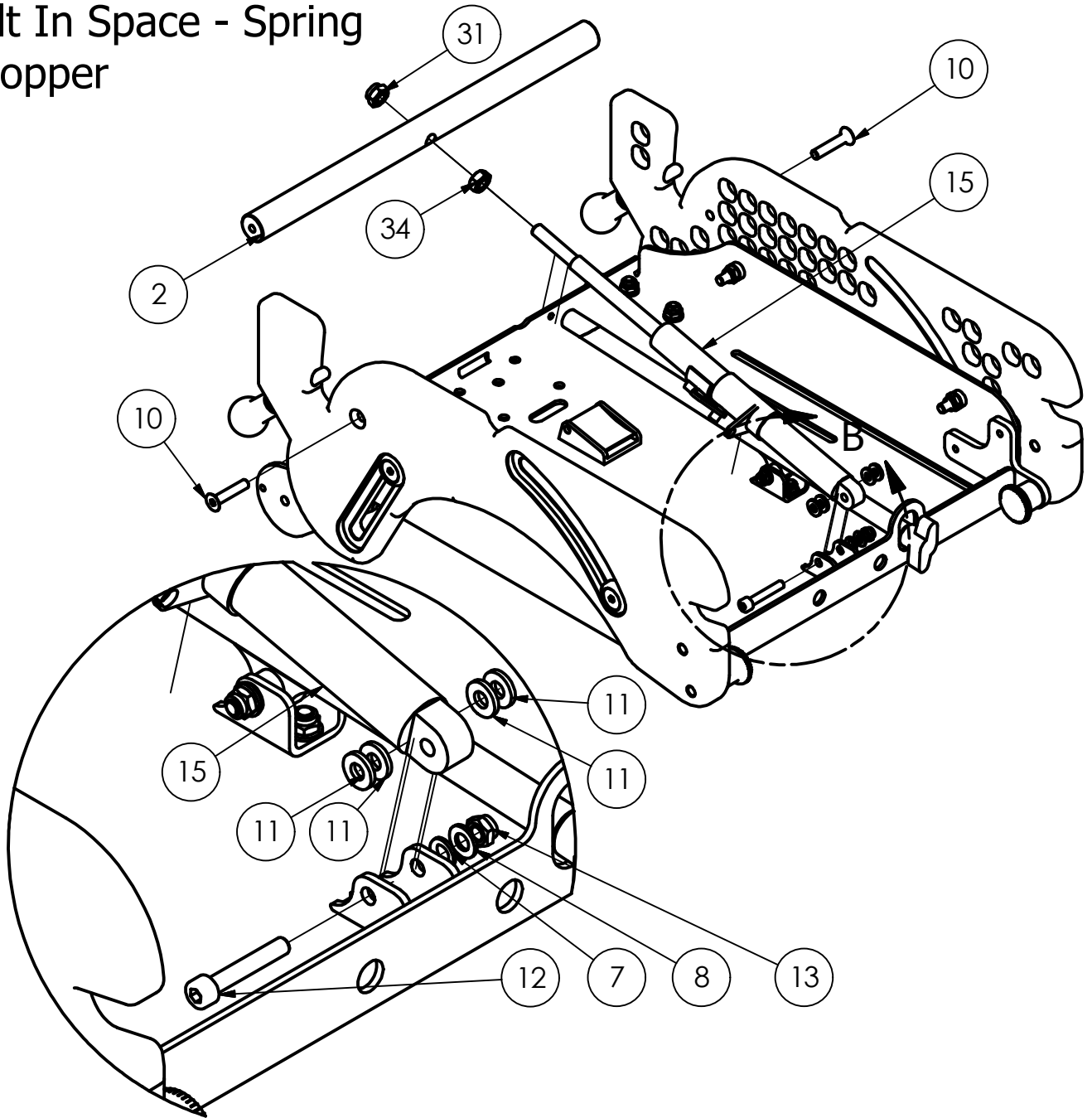
## Tilt In Space Sides



### PARTS LIST

ITEM	QTY	STOCK NUMBER	DESCRIPTION
4	4	2006-9002-000	Plastic washer OD 32.4x 10.2ID x 1.6T
24	4	2006-0216-000	Tilt in Space Spacer
30	4	2006-9265-000	M6 Joint Connector Bolt x 35mm
32	4	2006-0215-000	Bronze Bush
35	4	2006-9234-000	M6 Nyloc Nut

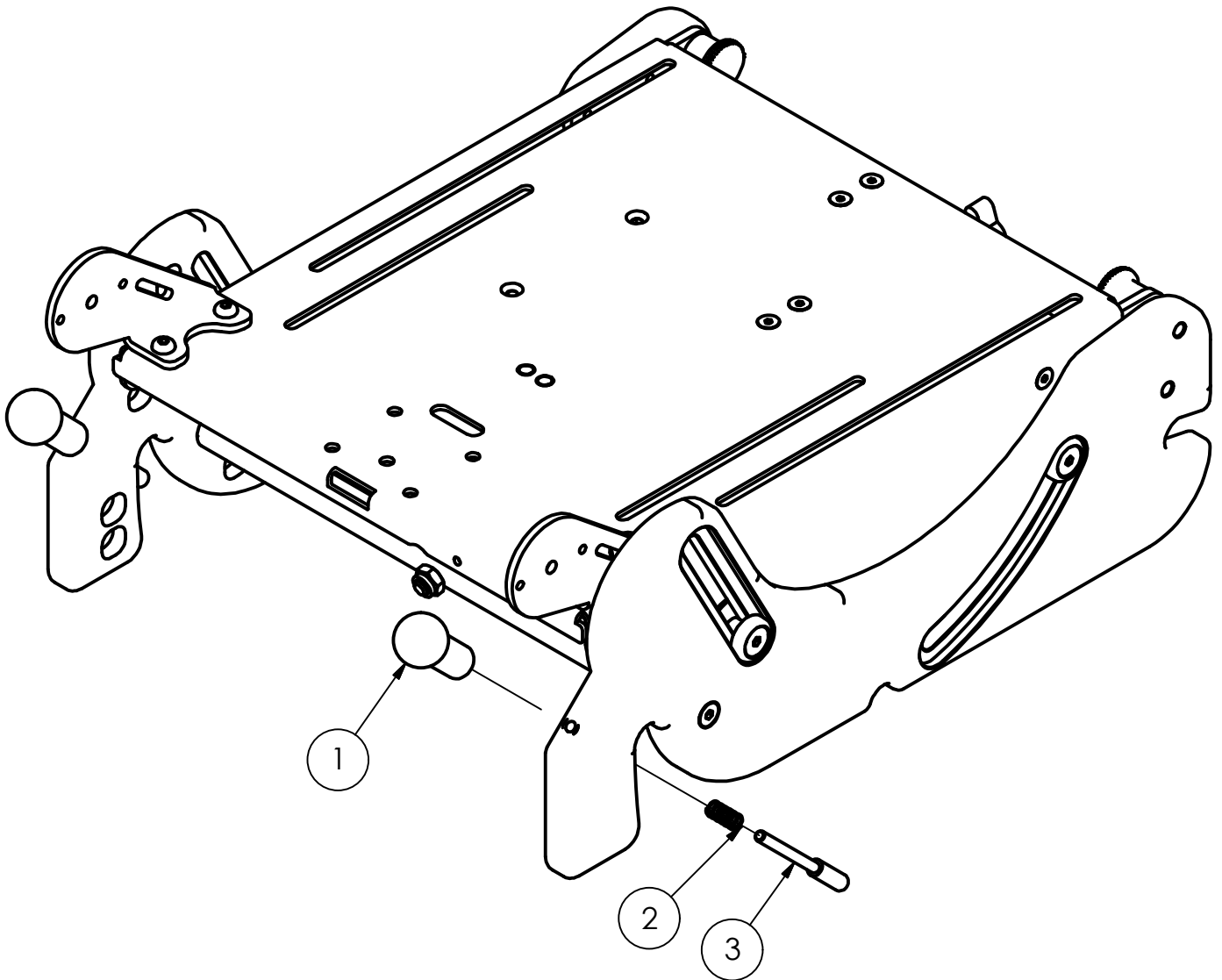
## Tilt In Space - Spring Stopper



### PARTS LIST

ITEM	QTY	STOCK NUMBER	DESCRIPTION
2	1	2006-2018-000	Tilt In Space tie Rod
7	1	2006-9212-000	M5 spring washer, ZP
8	1	2006-9209-000	M5 X10X0.9 Light flat washer, ZP
10	2	2006-9227-000	M6 X 30 Countersunk head socket screw, ZP
11	4	2006-9003-000	Plastic washer 11 OD x 5.1 ID x 1.6 T
12	1	2006-9236-000	M5 X 30 Cap head socket screw, ZP
13	1	2006-9233-000	M5 NYLOC NUT , ZP
15	1	2006-0229-000	Spring stopper adjuster
31	1	2006-9251-000	M8 nyloc nut , ZP
34	1	2006-9250-000	M8 Hex nut, ZP

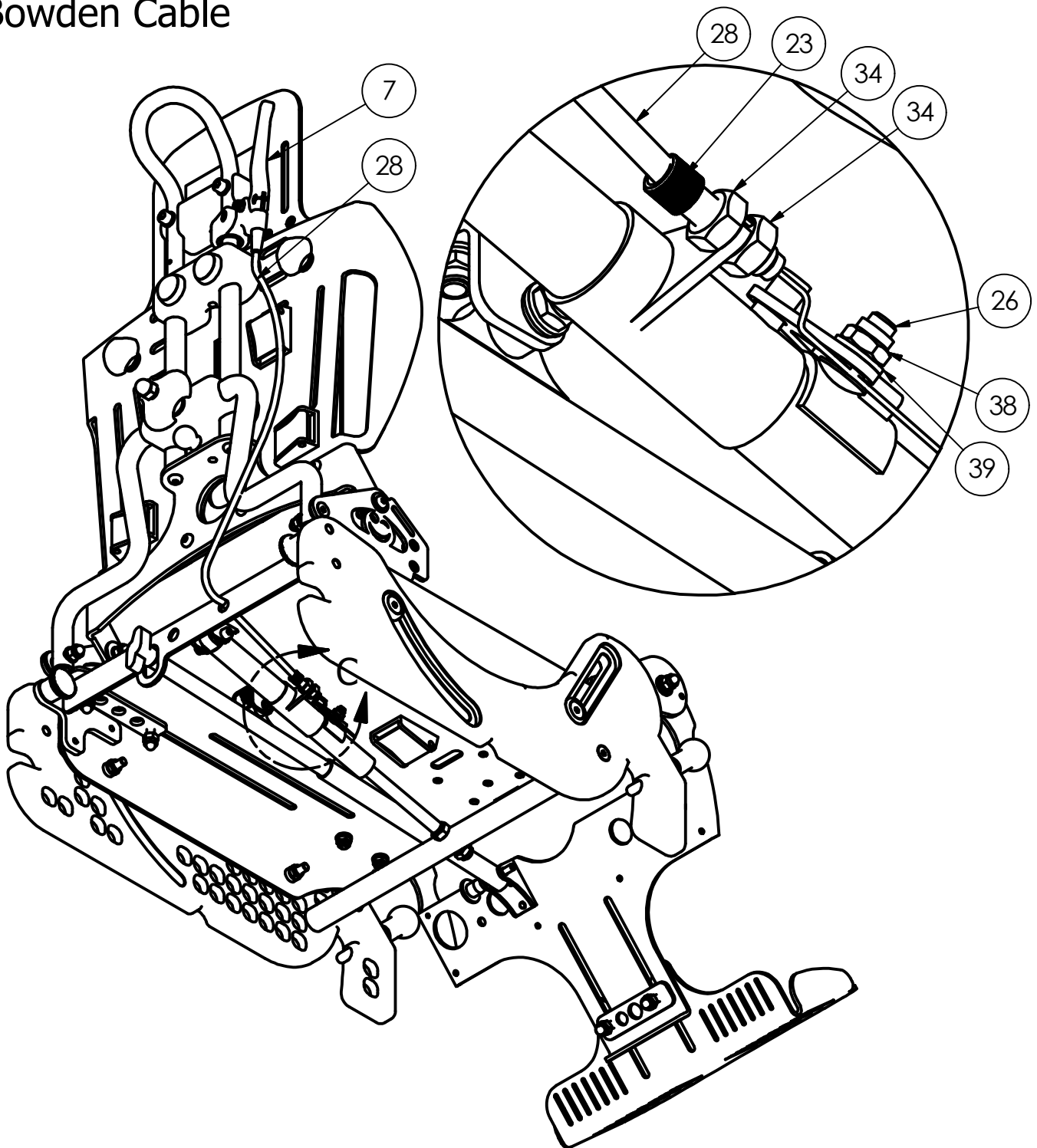
## Mounting Plungers



### PARTS LIST

ITEM	QTY	STOCK NUMBER	DESCRIPTION
1	2	2006-0215-000	Release Knob
2	2	2006-0217-000	Locking Pin
2	2	2005-0206-018	Spring 7.8 MM OD X 28 MM Long X 11 Turns

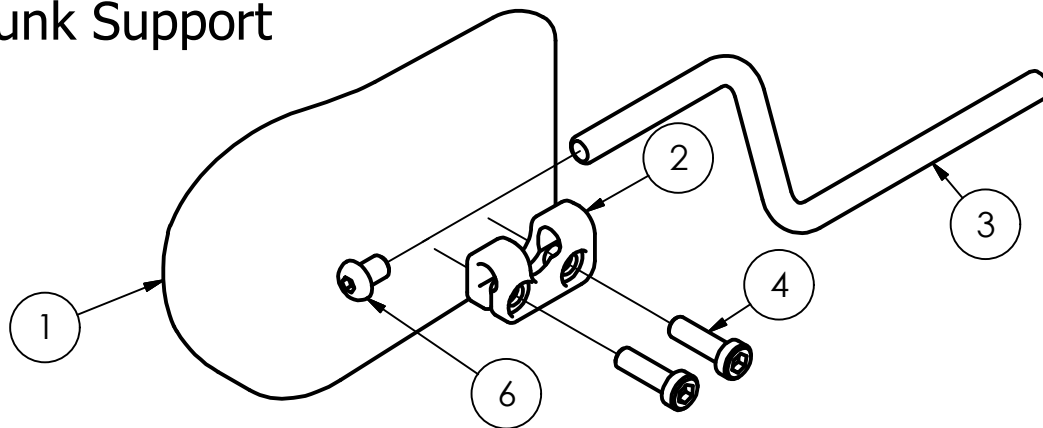
## Bowden Cable



### PARTS LIST

ITEM	QTY	STOCK NUMBER	DESCRIPTION
7	1	2006-2161-000	Actuation Lever
23	1	2006-2162-000	Cable inner adjuster
26	1	2006-2163-000	Cable inner bolt
28	1	2006-2164-000	Bowden Inner & Outer Cable
34	2	2006-9234-000	M6 Hex nut, ZP
38	1	2006-9233-000	M5 nyloc nut, ZP
39	1	2006-9209-000	M5 X10X0.9 light flat washer, ZP

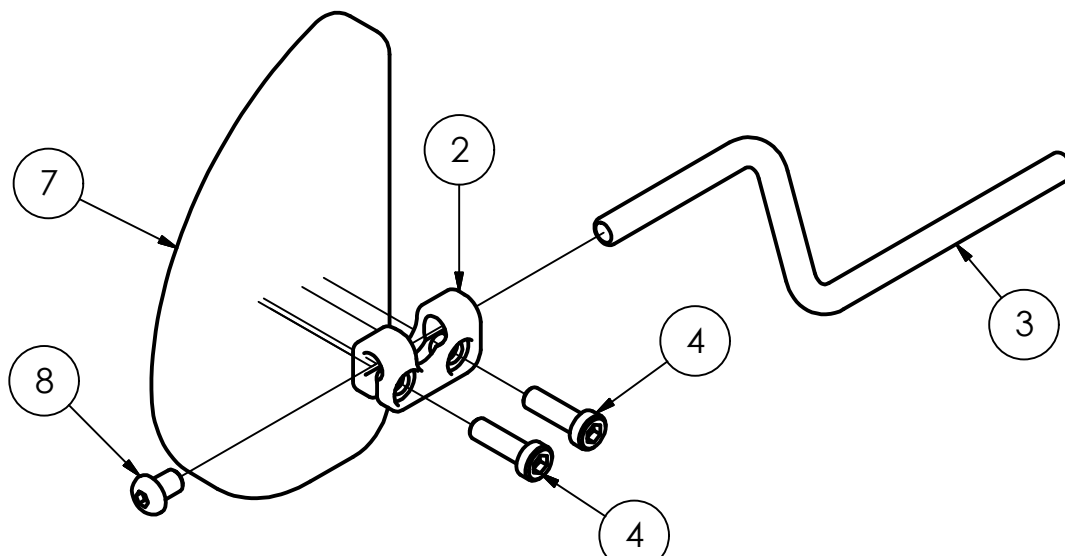
## Trunk Support



### PARTS LIST

ITEM	QTY	STOCK NUMBER	DESCRIPTION
1	2	2006-3051-000	Trunk Support Moulded Assembly
2	2	2006-1112-000	8mm Clamping Bracket
3	2	2006-3042-000	Trunk Angle Bar
4	4	2006-9201-000	M6 X 20 Low cap head socket screw, ZP
6	2	2006-9240-000	1/4" X 3/8" Button Socket Head Screw
7	1	2006-3071-099	Lateral Cover Pair( Black Spacer Fabric)

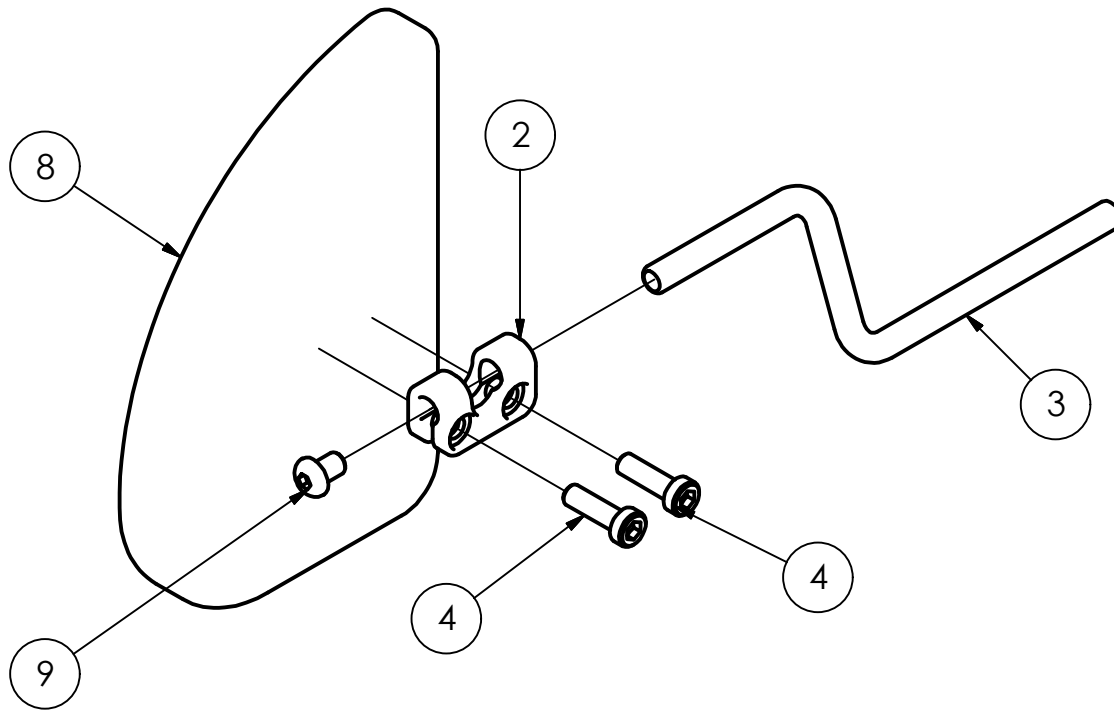
## Trunk Support Small Teardrop



### PARTS LIST

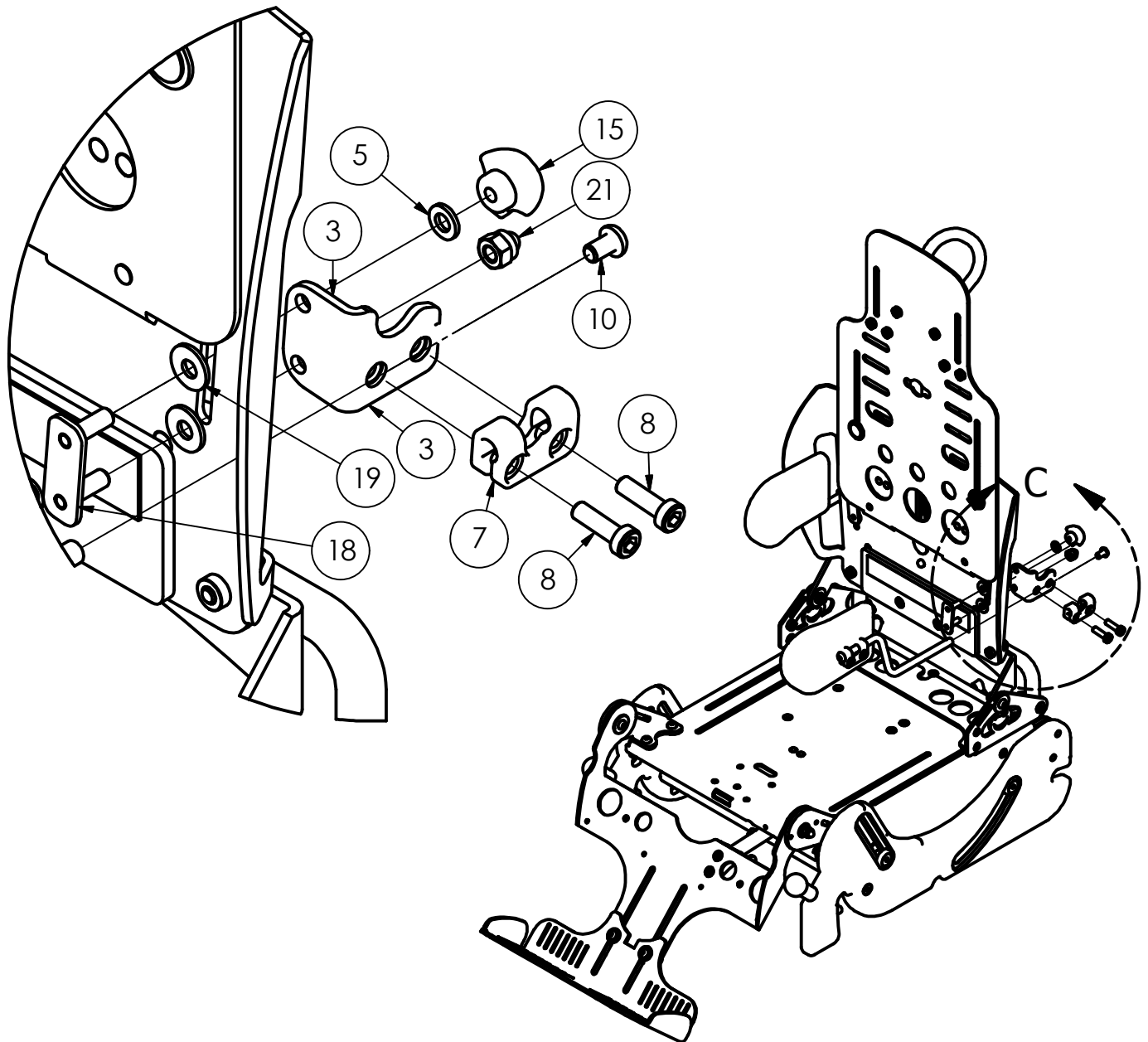
ITEM	QTY	STOCK NUMBER	DESCRIPTION
2	2	2006-1112-000	8mm Clamping Bracket
3	2	2006-3042-000	Trunk Angle Bar
4	4	2006-9201-000	M6 X 20 Low cap Head socket screw, ZP
6	2	2006-3141-000	Small Teardrop Lateral Plate
7	2	2006-3151-000	Trunk Support Teardrop Small Lateral Foam
8	1	2006-9240-000	1/4" X 3/8" Button Socket Head Screw, ZP
9	1	2006-3165-099	Small Reardrop LHS Lateral Covers Pair (Black Spacer Fabric)
10	1	2006-3166-099	Small Reardrop RHS Lateral Covers Pair (Black Spacer Fabric)

## Trunk Support Medium Teardrop



PARTS LIST			
ITEM	QTY	STOCK NUMBER	DESCRIPTION
2	2	2006-1112-000	8mm Clamping Bracket
3	2	2006-3042-000	Trunk Angle Bar
4	4	2006-9201-000	M6 X 20 Low cap socket head Screw, ZP
6	2	2006-3142-000	Teardrop Lateral Plate, Medium
8	2	2006-3152-000	Trunk Support Teardrop Medium Lateral Foam
9	4	2006-9240-000	1/4" X 3/8" Button Socket Head Screw
10	1	2006-3167-099	Medium Teardrop LHS Lateral Covers (Black Spacer Fabric)
11	1	2006-3168-099	Medium Teardrop RHS Lateral Covers (Black Spacer Fabric)

## Trunk Support Backrest Mounting

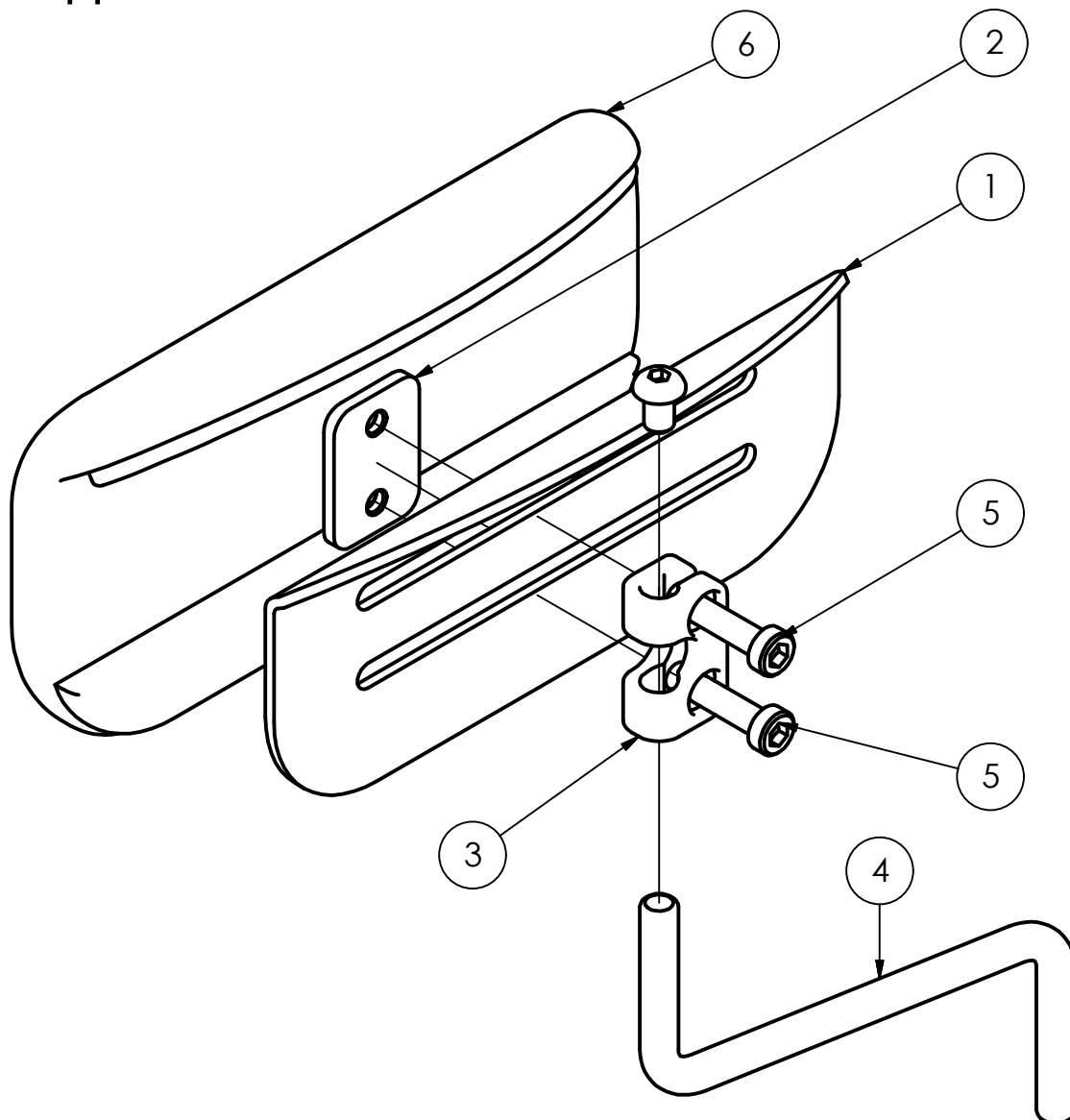


### PARTS LIST

ITEM	QTY	STOCK NUMBER	DESCRIPTION
3	1	2006-3043-000	Trunk Support Height Bracket LHS & RHS
5	2	2006-9210-000	M6X12.5X1.2 Light flat washer, ZP
7	2	2006-1112-000	8mm Clamping Bracket
8	4	2006-9201-000	M6 X 20 Low cap socket headscrew, ZP
10	2	2006-9241-000	M6 X 10 Button socket head screw,ZP
15	2	2006-9103-000	Lobe knob 1138
18	2	1253-0031-100	Spex 20mm Clamping Plate
19	4	2006-9005-000	OD 15.8 x ID 6.448 X 1.5T Plastic Washer
21	2	0054-NTND-M6ZP	M6 Nyloc dome locknut, ZP



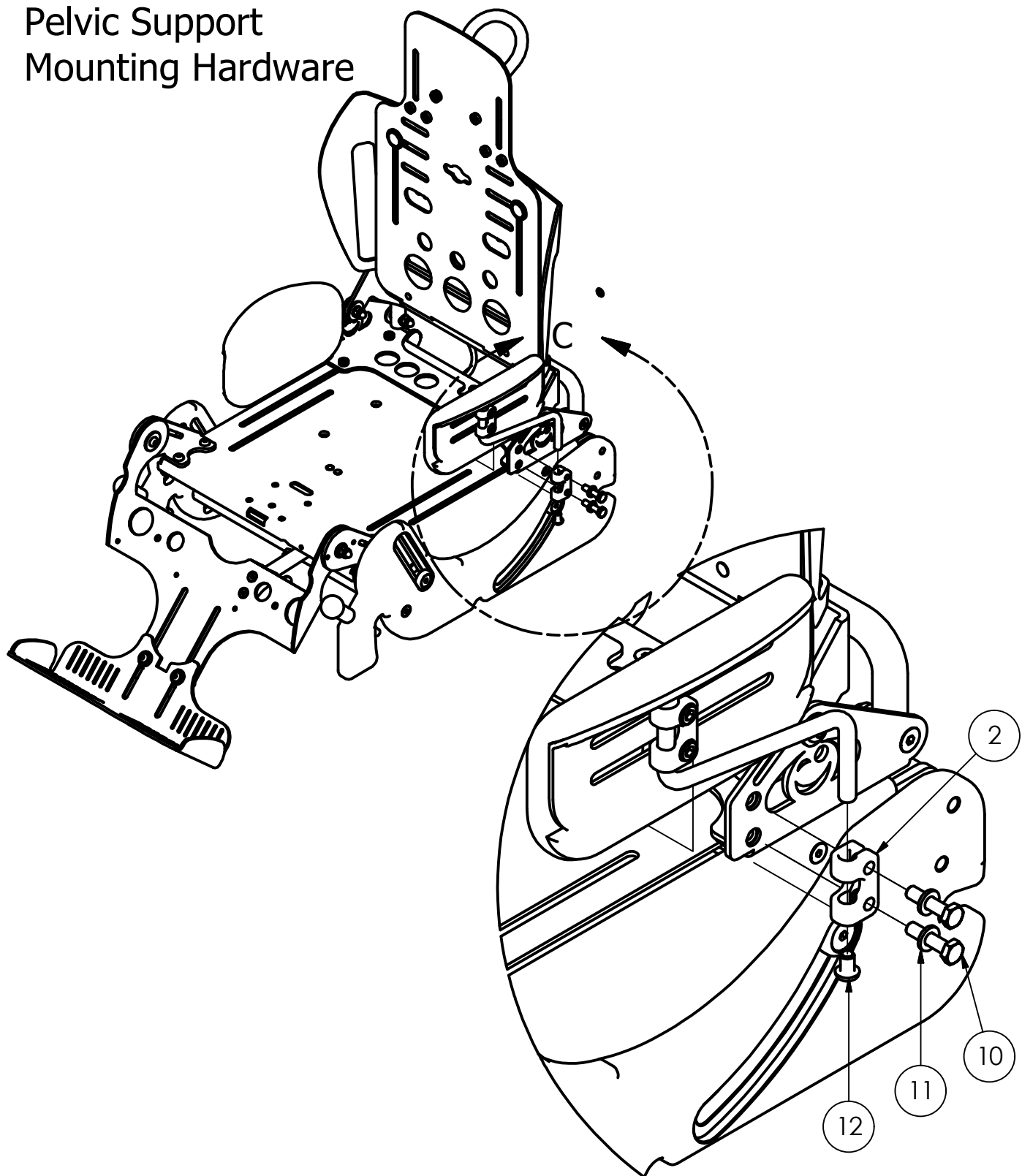
## Pelvic Support



### PARTS LIST

ITEM	QTY	STOCK NUMBER	DESCRIPTION
1	2	2006-1111-000	Pelvic support curved plate
2	2	2006-1113-000	Clamping plate
3	2	2006-1112-000	8mm Clamping Bracket
4	2	2006-1114-000	Pelvic Angle Bar
5	2	2006-9201-000	M6 X 20 Low cap head socket screw, ZP
6	1	2006-1051-000	Pelvic support Padding Foam & Cover ( Black Spacer Fabric)
7	2	2006-9240-000	1/4" X 3/8" Button Socket Head Screw

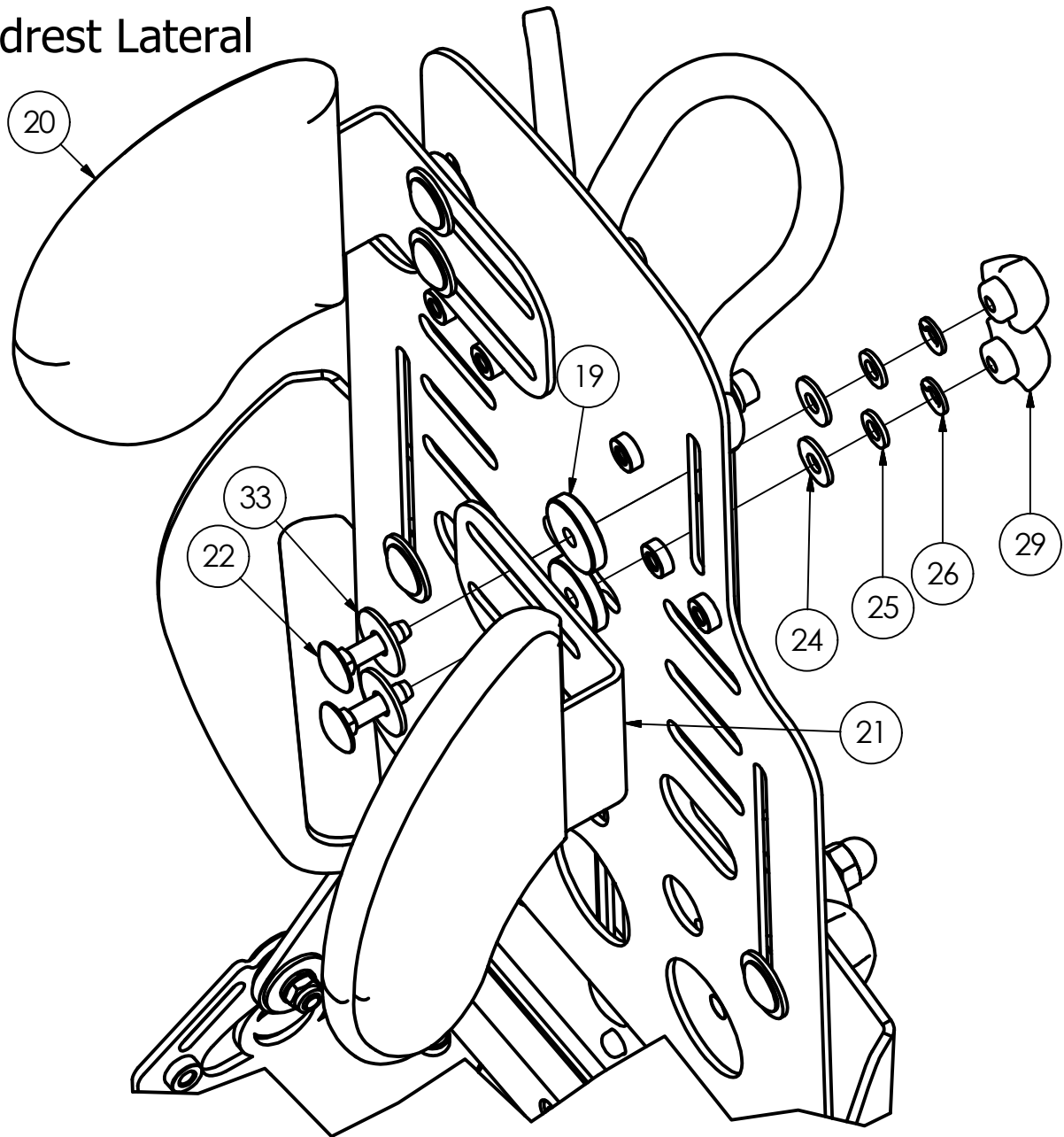
## Pelvic Support Mounting Hardware



### PARTS LIST

ITEM	QTY	STOCK NUMBER	DESCRIPTION
2	2	2006-1112-000	8mm Clamping Bracket
10	4	0052-1BSH-M6X25BK	M6 X 25 Hexagon head screws
11	4	2006-9210-000	M6X12.5X1.2 Light flat washer, ZP
12	2	2006-9240-000	1/4" x 3/8" Button Socket Head Screw

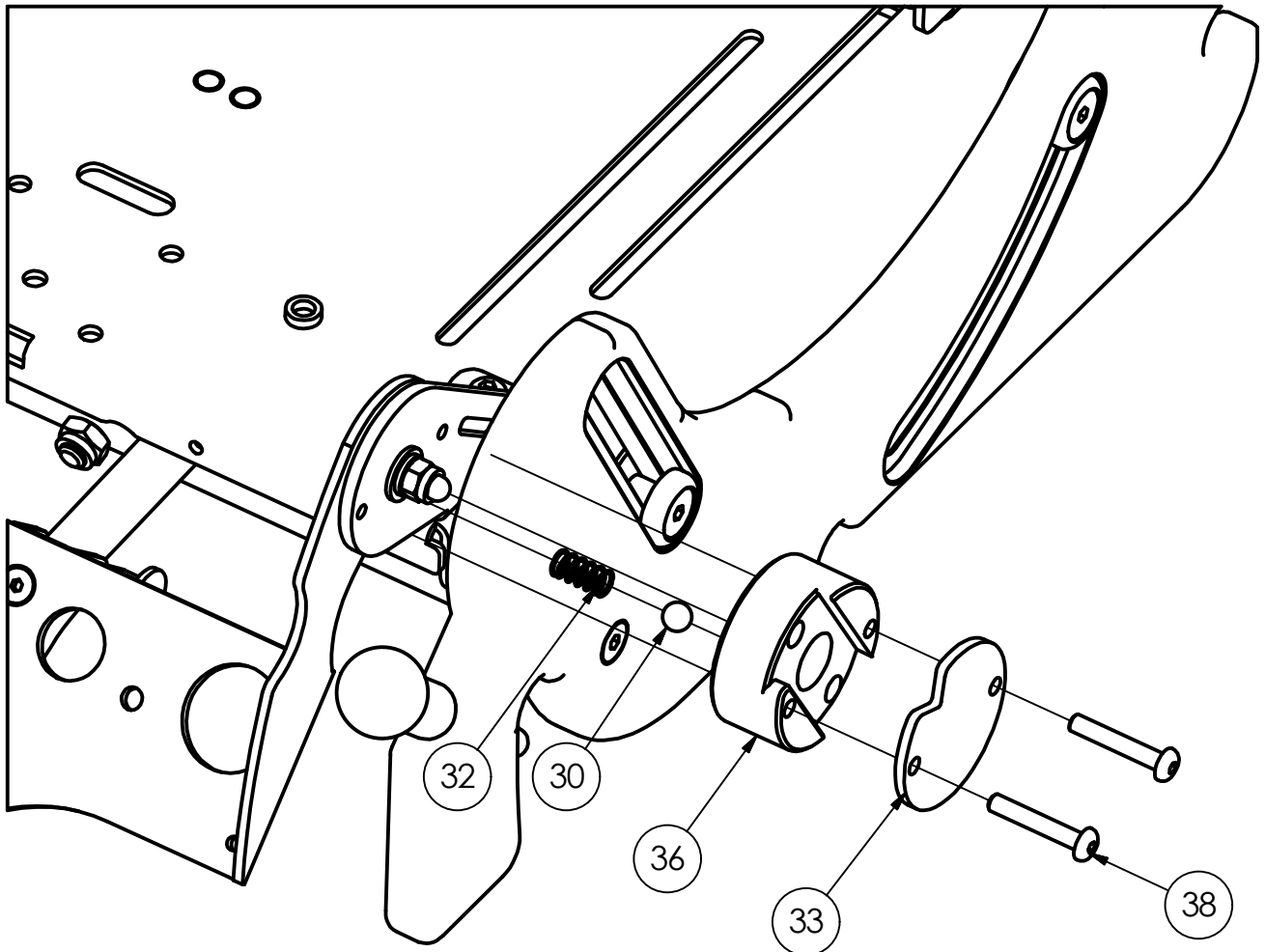
## Headrest Lateral



### PARTS LIST

ITEM	QTY	STOCK NUMBER	DESCRIPTION
19	4	2006-2156-000	Plastic washer 25OD 1
20	1	2006-4464-000	Headrest Sides Assembly RHS
21	1	2006-4463-000	Headrest Sides Assembly LHS
22	4	2006-9218-000	M6 X 25 Coach blot, ZP
24	4	2006-9005-000	OD 15.8 x ID 6.448 X 1.5T
25	4	2006-9210-000	M6X12.5X1.2 Light flat washer, ZP
26	4	2006-9213-000	M6 Spring washer, ZP
29	4	2006-9103-000	M6 Lobe knob 1138
33	4	2006-9010-000	M8 Plastic washer OD 22 x 8.0ID x 1.6T
34	1	2006-4483-000	Headrest Lateral Foam & Covers LHS ( Black Spacer Fabric)
34	1	2006-4484-000	Headrest Lateral Foam & Covers RHS ( Black Spacer Fabric)

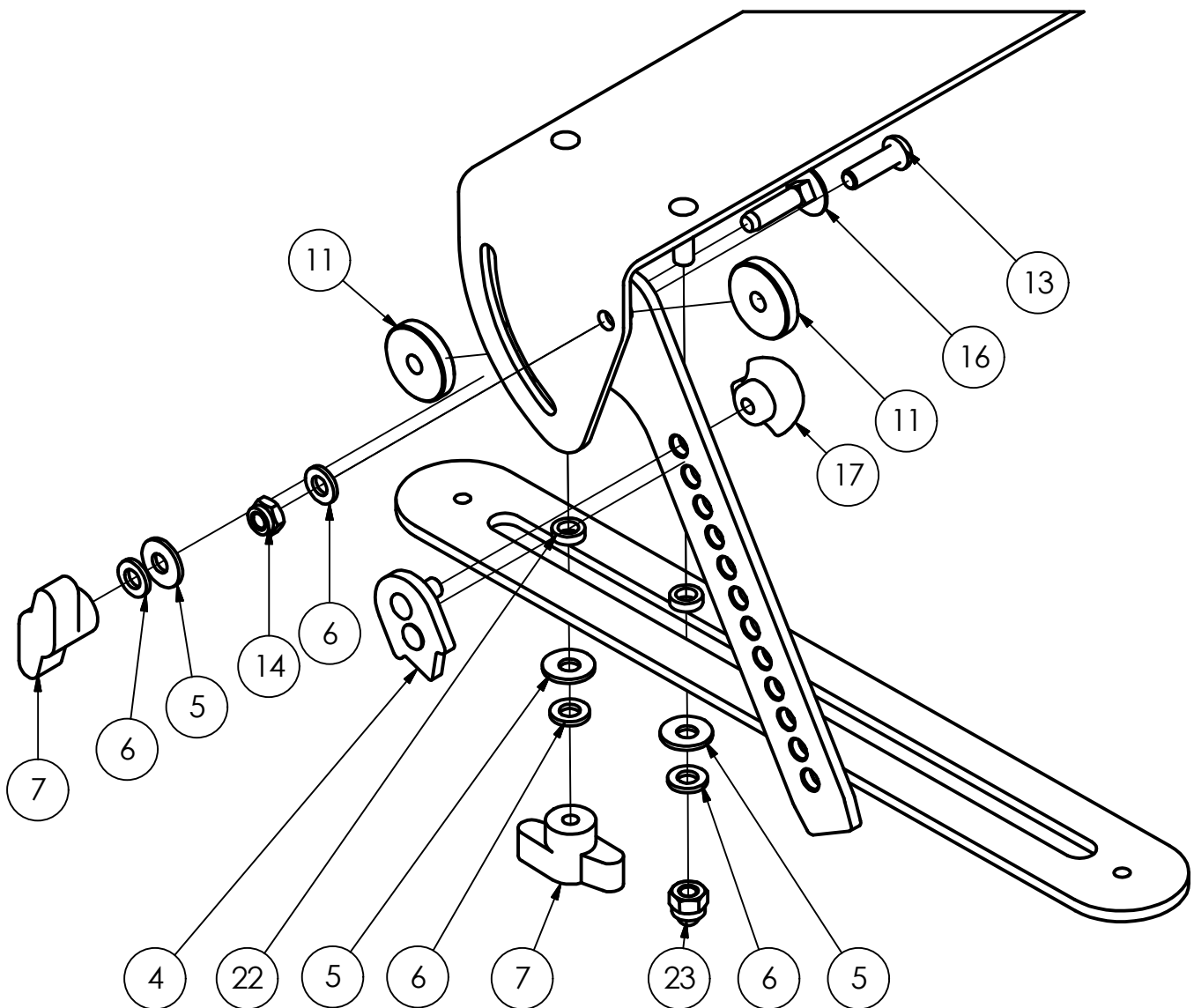
## Tray Mount



### PARTS LIST

ITEM	QTY	STOCK NUMBER	DESCRIPTION
30	2	2006-7067-000	Plastic ball bearing 7.9375MM
32	2	2006-7068-000	Tray Tension Spring Dia10 x 0.8 x 15mm
33	2	2006-7064-000	Tray Height Outer Plate
36	1	2006-7065-000	Tray height block_LHS & RHS
38	4	2006-9268-000	M5 X 30 Button head socket screw, ZP

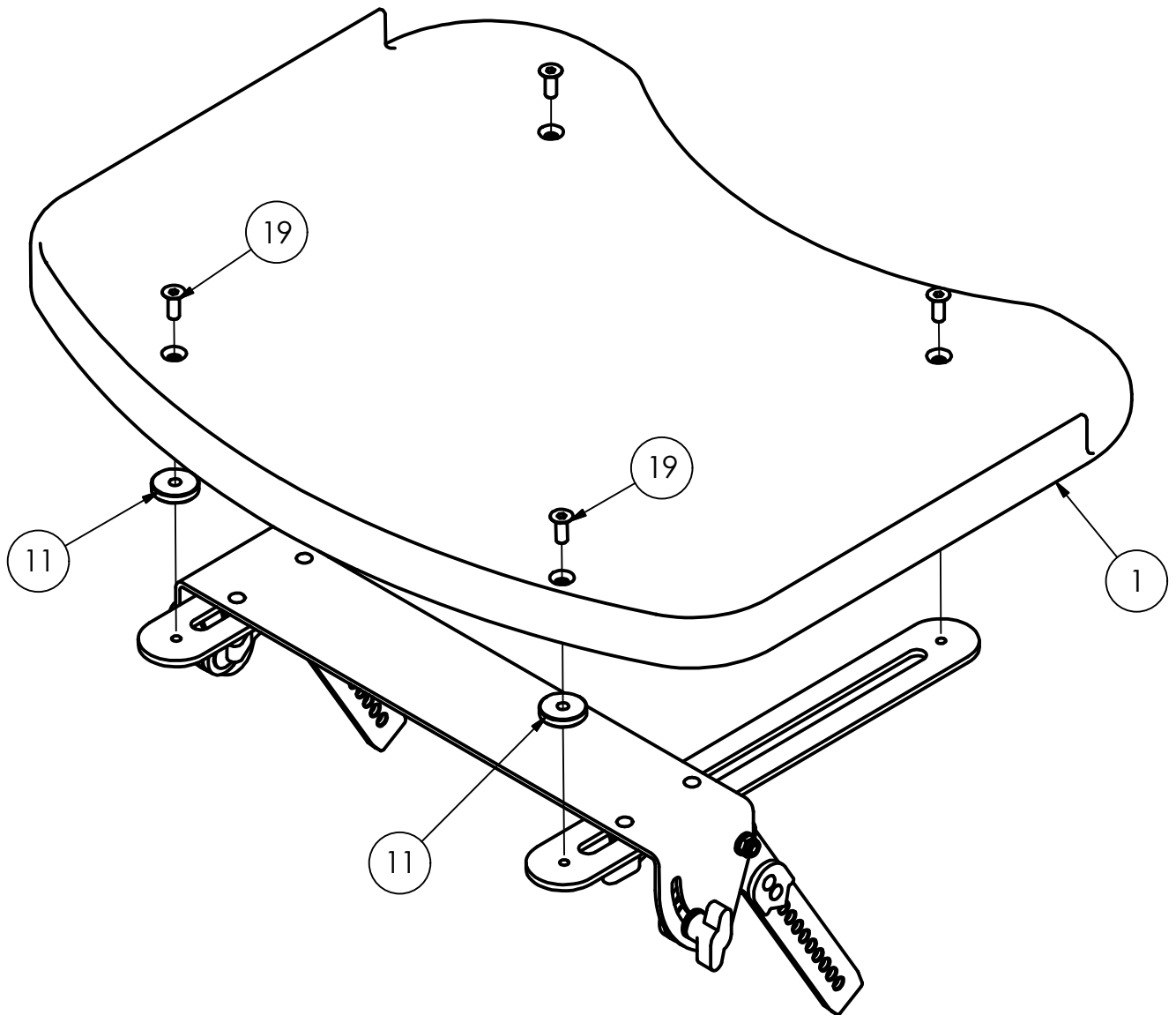
## Tray Adjustment Assembly



### PARTS LIST

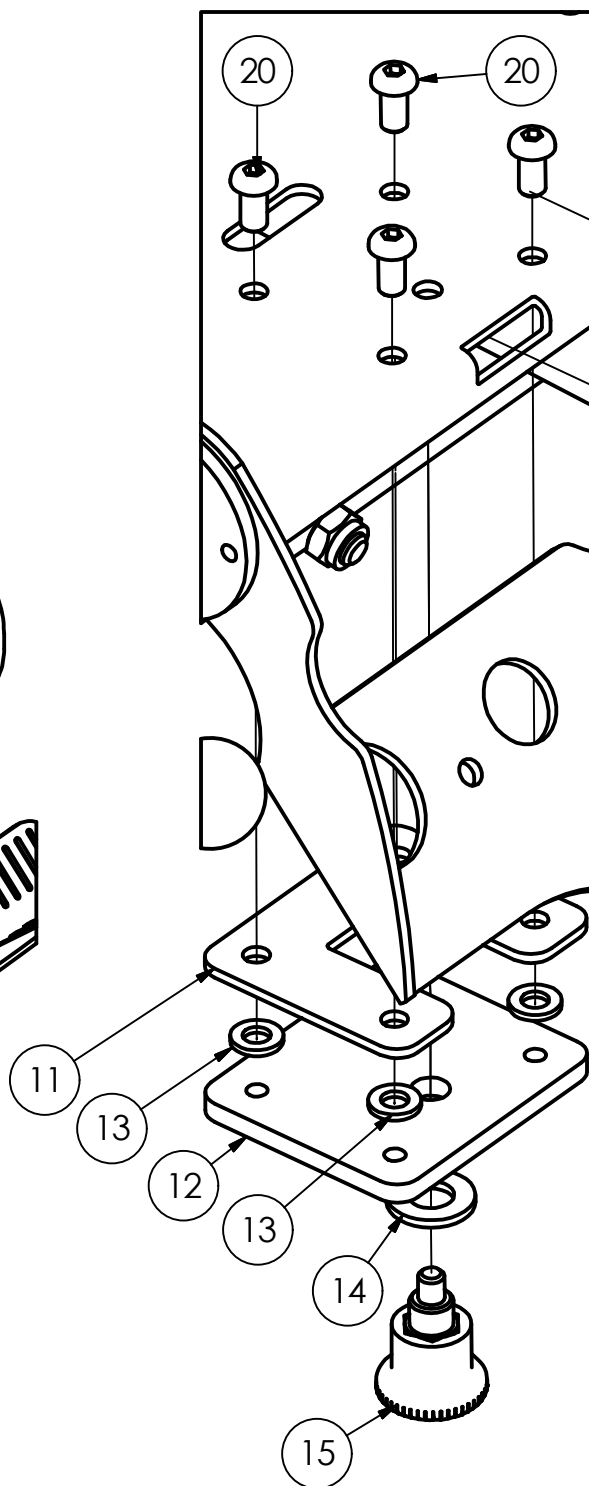
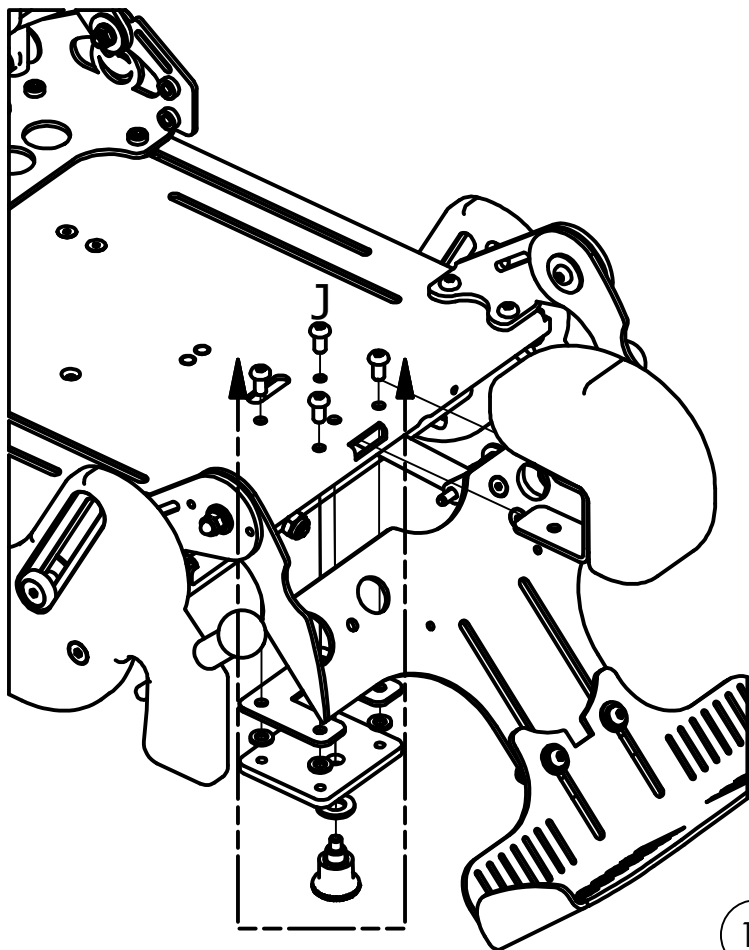
ITEM	QTY	STOCK NUMBER	DESCRIPTION
4	2	2006-7074-000	Tray Height stop Assembly
5	6	2006-9005-000	OD 15.8 x ID 6.448 X 1.5T
6	8	2006-9210-000	M6X12.5X1.2 Light flat washer, ZP
7	4	2006-9301-000	M6 Wingnut black plastic knob
11	4	2006-2156-000	Plastic washer 25OD 1
13	2	2006-9244-000	M6 X 20 Button head socket screw, ZP
14	2	2006-9234-000	M6 Nyloc nut, ZP
16	2	2006-9218-000	M6 X 25mm Coach bolt, ZP
17	2	2006-9103-000	LOBE KNOB 1138
22	4	01-6NE03	M6 Plastic washer 10OD x 6.3 ID x 3 MM T
23	2	0054-NTND-M6ZP	M6 Nyloc dome locknut M6 ZP

## Tray Top



PARTS LIST			
ITEM	QTY	STOCK NUMBER	DESCRIPTION
1	1	2006-7001-013	Tray Top
11	2	2006-2156-000	Plastic washer 25OD 1
19	4	2006-9203-000	M6 X 16 Countersunk head socket screw, ZP

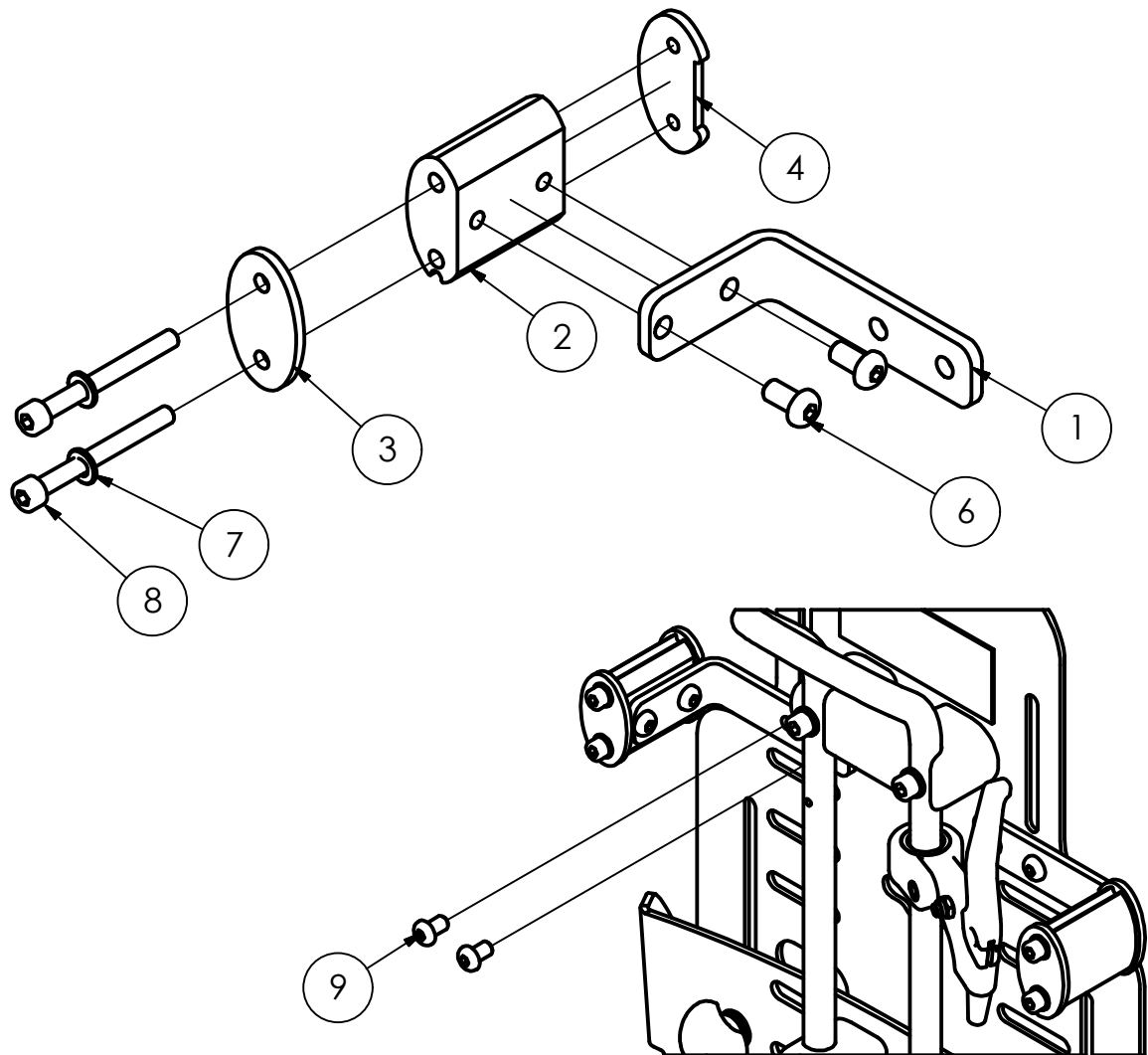
## Abduction Mounting Assembly



### PARTS LIST

ITEM	QTY	STOCK NUMBER	DESCRIPTION
11	1	2006-1631-000	Abduction top plate
12	1	2006-1632-000	Abduction Bottom Plate
13	4	2006-9210-000	M6X12.5X1.2 Light flat washer, ZP
14	1	2006-9207-000	M10X19X1.6 Flat washer, ZP
15	1	2006-9303-000	Mini indexing plunger
20	4	2006-9242-000	M6 X 12 Button head socket screw, ZP

## Sunhood Mounting bracket

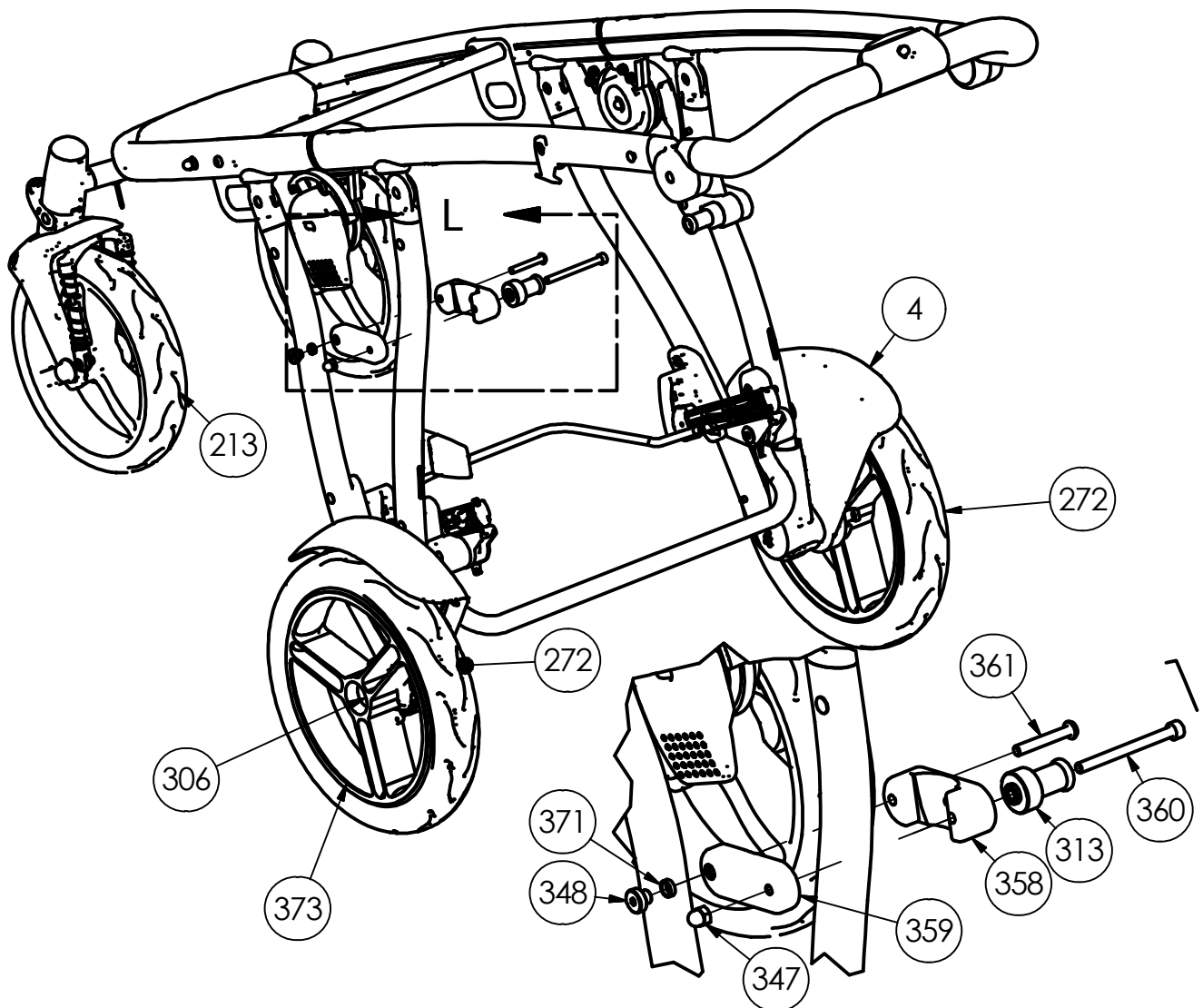


### PARTS LIST

ITEM	QTY	STOCK NUMBER	DESCRIPTION
1	2	2006-7512-100	Sunhood mounting bracket
2	2	2006-7517-000	Sun hood Plastic profile
3	2	2006-7514-100	Sun hood profile top plate
4	2	2006-7513-000	Sunhood profile lower plate
6	4	2006-9242-000	M6 X 12 Button Socket head screws, ZP
7	4	2006-9209-000	5mm Form B Washer
8	4	2006-9257-000	M5 X 50 Cap Socket Head, ZP
9	4	2006-9241-000	M6 x 10 Button Socket head screws



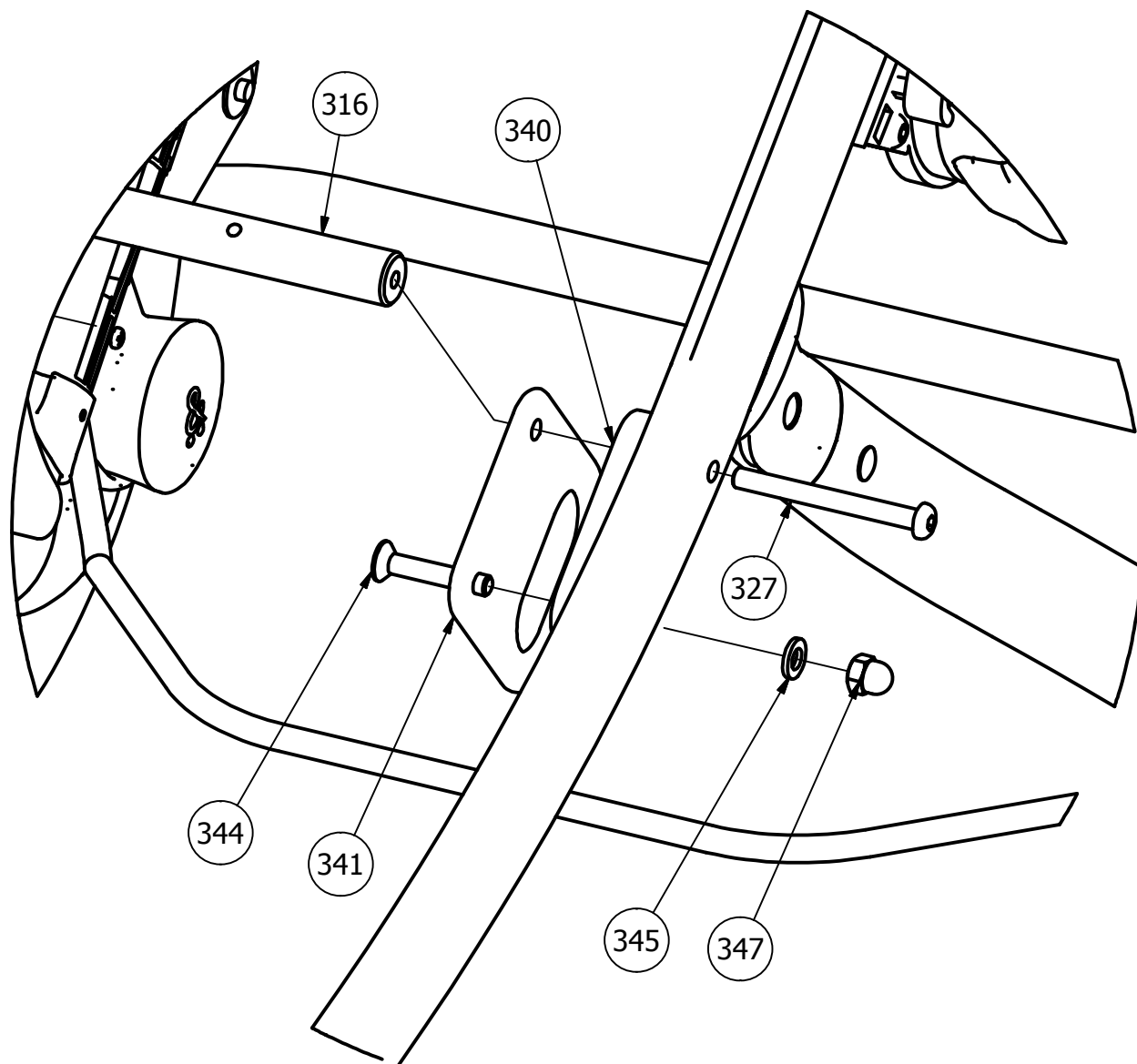
## Verve Ver 2 Frame Rear mounting peg



### PARTS LIST

ITEM	QTY	STOCK NUMBER	DESCRIPTION
4	1	2006-9560-100	RHS & LHS Rear Wheel guard, Pair
213	2	2006-9840-100	Front Wheel
272	2	2006-9810-100	Rear Wheel
306	2	2006-9530-100	Rear Wheel axle
313	2	2006-0146-100	Rear Mounting Peg For Version 2 Frame
373	1	2006-9820-100	12" Inner Tube Set
347	3	0054-NTND-M6ZP	M6 Hexagon Domed Nyloc Nuts
348	2	2006-0140-000	Qstraint Peg
358	1	2006-0147-100	Verve Rear Plate Inner - P&T Version 2 Frame Pair
359	1	2006-0148-100	Verve Rear Plate Outer - P&T Version 2 Frame Pair
360	1	2006-9239-000	M6 X 70 Cap Socket Head screw, ZP
361	2	2006-9238-000	M6 X 40 Cap Socket Head scew, ZP
371	2	2006-0136-100	Verve 3 point belt spacer

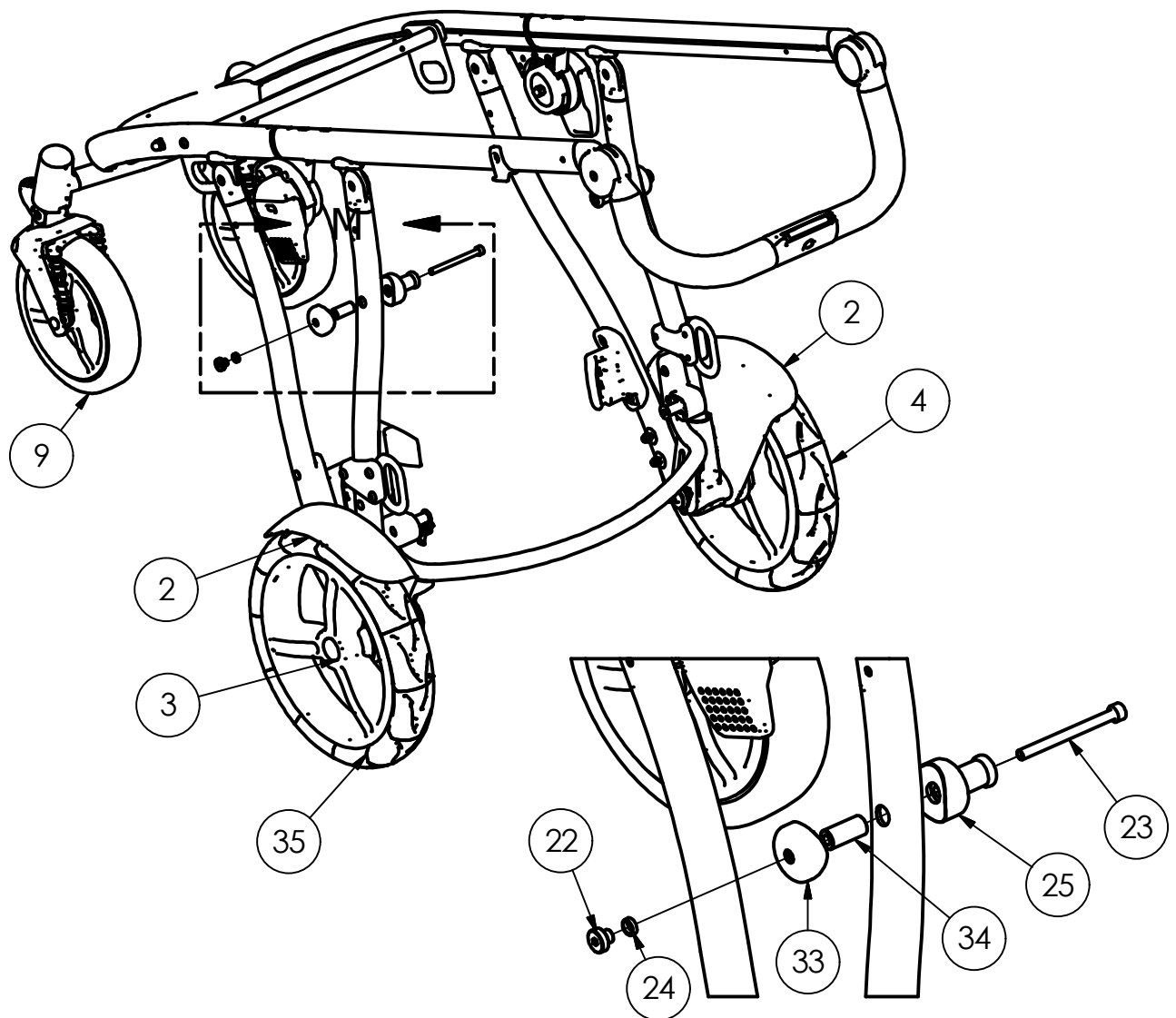
## Verve Ver 2 Frame Front mounting



### PARTS LIST

ITEM	QTY	STOCK NUMBER	DESCRIPTION
316	1	2006-0134-100	Verve Front Mounting Bar VER 3
327	2	2006-9248-000	M6 X 60 Button Socket Head screw, ZP
340	1	2006-0145-100	Front frame Spacer for Ver 2 Frame LHS & RHS
341	1	2006-0138-LHS	Verve Front Securement Plate LHS
341	1	2006-0138-RHS	Verve Front Securement Plate RHS
344	2	2006-9228-000	M6 X 35 Countersunk Socket head screw,ZP
345	2	2006-9210-000	M6X12.5X1.2 Light flat washer,ZP
347	2	0054-NTND-M6ZP	M6 Nyloc dome locknut,ZP

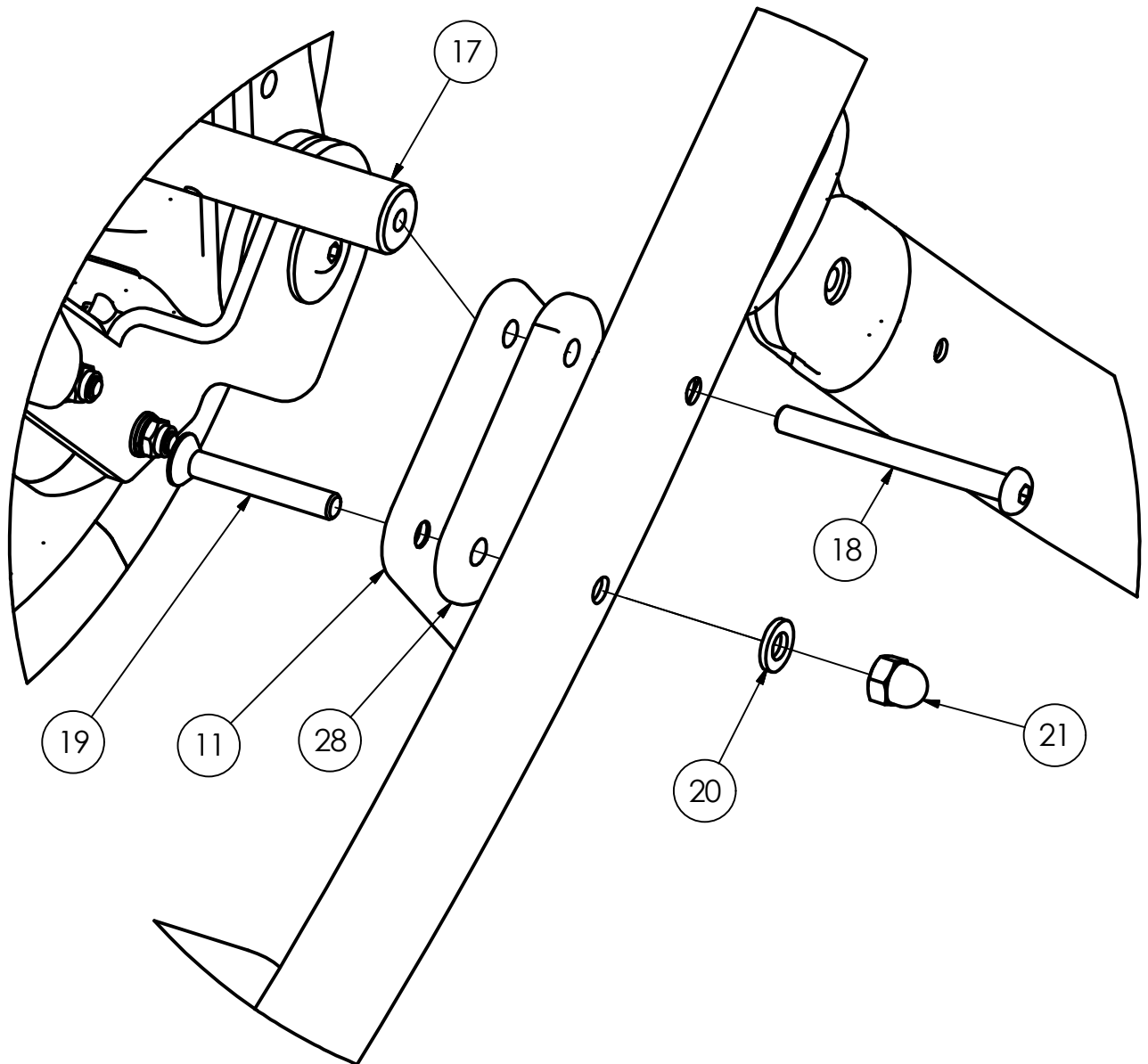
## Verve Ver 3 Frame Rear mounting peg



### PARTS LIST

ITEM	QTY	STOCK NUMBER	DESCRIPTION
2	1	2006-9560-100	RHS & LHS Wheel guard
3	2	2006-9530-100	Rear Wheel axle
4	2	2006-9810-100	Rear Wheel
9	2	2006-9850-000	Front Wheel
22	2	2006-0140-100	Qstraint Peg
23	2	2006-9239-100	M6 X 70 Cap Socket Head Screw, ZP
24	2	2006-0136-100	Verve 3 point belt spacer
25	1	2006-0133-100	Verve Rear mounting peg, Each
33	1	2006-0132-100	Verve Rear mounting outer Saddle Each
34	2	2006-0135-100	Verve Inner Frame Spacer
35	1	2006-9820-100	12" Inner Tube Set

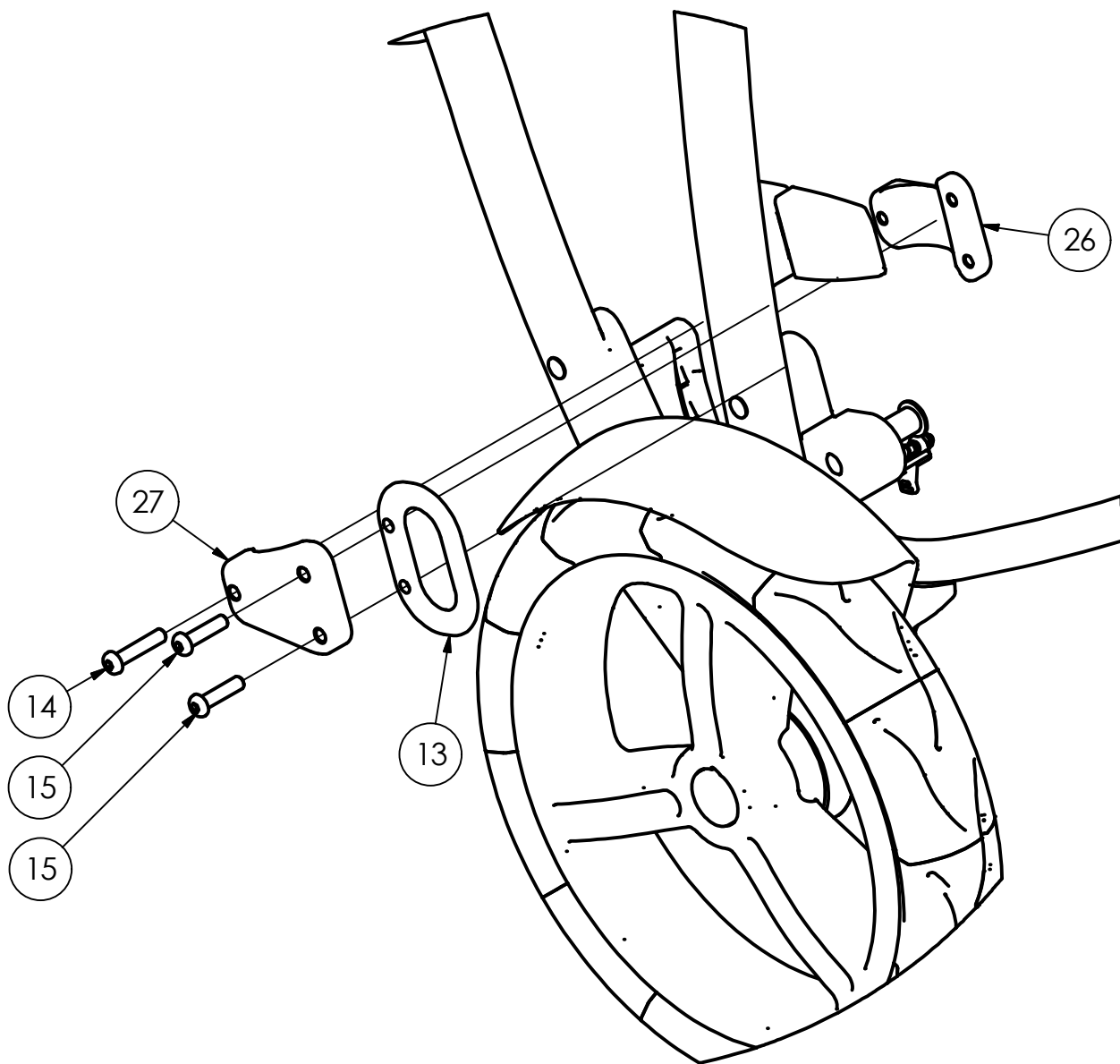
## Verve Ver 3 Frame Front mounting



### PARTS LIST

ITEM	QTY	STOCK NUMBER	DESCRIPTION
11	1	2006-0138-LHS	Verve Front Securement Plate LHS
55	1	2006-0138-RHS	Verve Front Securement Plate RHS
17	1	2006-0134-100	Verve Front Mounting Bar VER 3
18	2	2006-9248-000	M6 X 50 Button head Socket Screw,ZP
19	2	2006-9204-000	M6 X 40 Countersunk Socket Screw,ZP
20	2	2006-9210-000	M6X12.5X1.2 Light flat washer,ZP
21	2	2006-9214-000	M6 Nyloc Domed Nut
28	1	2006-0139-LHS	Verve Front Frame Spacer LHS
56	1	2006-0139-RHS	Verve Front Frame Spacer RHS

## Verve Ver 3 & Ver 2 Securement Bracket



### PARTS LIST

ITEM	QTY	STOCK NUMBER	DESCRIPTION
13	2	2006-0137-100	Verve Rear Securement Plate
14	2	2006-9247-000	M6 X 30 Button socket head screws,ZP
15	4	2006-9245-000	M6 X 25 Button socket head screws,ZP
26	1	2006-0131-LHS	Verve Rear Inner Clamp LHS
26	1	2006-0131-RHS	Verve Rear Inner Clamp RHS
27	1	2006-0130-LHS	Verve Rear Outer clamp LHS
27	1	2006-0130-RHS	Verve Rear Outer clamp RHS