

ETHOS

USER INSTRUCTION MANUAL & WARRANTY
MANUAL DE INSTRUCCIONES Y GARANTÍA



I. INTRODUCTION

Thank you for purchasing an Ethos wheelchair!

Please do not use this wheelchair without first reading this entire manual. BEFORE riding, you should be trained in the safe use of this chair by an Assistive Technology Practitioner (ATP) or clinical professional.

If you have any questions or concerns about any aspect of this wheelchair, this manual, or the service provided by us or your retail supplier, please do not hesitate to contact us by telephone at:

715-254-0991

In writing at:

Ki Mobility
5201 Woodward Drive
Stevens Point, WI 54481
U.S.A

Or via email at:

sales@kimobility.com

Or via our Authorized EU Representative:

James Leckey Design
19C Ballinderry Road
Lisburn
BT28 2SA
Phone: 0800 318265 (UK) or 1800 626020 (ROI)
www.leckey.com



II. TABLE OF CONTENTS

La Versión en Español comienza en la página 32

I. INTRODUCTION	
II. TABLE OF CONTENTS	
III. NOTICE - READ BEFORE USE	
A. Your Safety and Stability	3
IV. WARNINGS	
A. Signal Words.....	3
B. General Warnings.....	4
C. Positioning Belts or Harnesses	5
D. Riding Your Wheelchair	5
E. Power Drives.....	6
F. Ascending Stairs	6
G. Descending Stairs	7
H. Transfers.....	7
I. Your Wheelchair and the Environment.....	7
J. Modifying your Wheelchair	8
K. Wheelchair Stability	8
L. Aftermarket Seating	9
V. SET UP & USE OF YOUR WHEELCHAIR	
A. Your Ethos & It's Parts	10
B. Transit Use.....	11
C. Height Adjustable T-Arm	14
D. Swing Away Armrests	15
E. Rear Wheels.....	16
F. Optional Dynamic Footplate	16
G. Optional Dynamic Footplate	17
H. Optional Angle Adjustable Footplate.....	17
I. Wheel Locks	18
J. Anti-Tips	19
K. Upholstery Fabric	21
L. Calf Strap Mount.....	21
M. Backrest	22
N. Changing Elastomers	23
O. Setting Toe to Zero	26
P. Cushion Installation	27
VI. MAINTENANCE	
A. Inspecting Your Wheelchair.....	28
B. Routine Maintenance	29
C. Cleaning.....	30
D. Storage.....	30
VII. WARRANTY	31

III. NOTICE - READ BEFORE USE

A. Your Safety and Stability

Ki Mobility manufactures many different wheelchairs that might meet your needs. You should consult an Assistive Technology Professional when selecting which model would best meet your particular requirements and how the wheelchair should be set up and adjusted. Final selection of the type of wheelchair, options and adjustments rests solely with you and your medical professional. The options you choose and the set-up and adjustment of the wheelchair have a direct impact on its stability. Factors to consider that affect your safety and stability are:

- a. Your personal abilities and capabilities including strength, balance and coordination.
- b. The types of hazards and obstacles you might encounter during your day.
- c. The specific dimensions, options and set up. In particular, the seat height, seat depth, seat angle, back angle, size and position of the rear wheels and size and position of the front casters.

IV. WARNINGS

A. Signal Words

Within this manual you will find what are referred to as “Signal” words. These words are used to identify and convey the severity of varying hazards. Before using this chair you, and each person who may assist you, should read this entire manual. Please note the Signal word and consider any warnings, cautions or dangers. Make sure to follow all instructions and use your chair safely. The Signal word refers to a hazard or unsafe practice that may cause severe injury or death to you or to other persons. The “Warnings” are in two main categories, as follows:

WARNING – Warning indicates a potentially hazardous situation which, if not avoided, could result in serious injury or death.

CAUTION – Caution indicates a potentially hazardous situation which, if not avoided, could result in injury or damage to your wheelchair.

These signal words will be placed throughout the manual, where appropriate to highlight the hazardous situation. Refer to the following list for hazardous situations that will apply to the general use of this wheelchair.

WARNING

WARNING: Failure to comply with all of the instructions in this manual or using the wheelchair in a manner not stated in this manual could result in serious injury or death.

IV. WARNINGS

B. General Warnings

WARNING

WARNING: Do not exceed weight limit of chair:

	Standard
Ethos	275 lbs (125 kg)

Limits refer to combined weight in pounds of user and all items carried. Exceeding weight limit may damage your chair or may increase your risk of falling or tipping over. A tip-over or fall could result in serious injury or death.

- Do not use chair for weight training. The movement of the additional weight alters the chair's center of gravity increasing your risk of tipping over. A tip-over could result in damage to your chair or in serious injury or death.
- Keep tires inflated to correct tire pressure. Using a chair without properly inflated tires may affect its stability, increasing your risk of tipping over. A tip-over could result in damage to your chair or in serious injury or death to you or others. Correct tire pressure is indicated on the side wall of the tire. Your wheelchair provider can determine if your tires are inflatable if you are unsure.
- Underinflated tires may cause your wheel locks to not function properly. Failure of the wheel locks to hold your chair may result in a loss of control or fall. This can result in serious injury or death.
- Avoid ramps or slopes inclined more than 9 degrees. Steep slopes increase your risk of falling or tipping over. A tip-over or fall could result in damage to your chair or in serious injury or death to you or others. Do not use chair on ramps or slopes tilted more than 9 degrees (about 2 inches rise/drop per linear-foot): neither up/down nor across.
- Avoid inclined surfaces slick or coated with ice, oil or water. Slippery inclines could result in falling or tipping over. A tip-over or fall could result in damage to your chair or in serious injury or death.
- Avoid leaning over the side or back of your wheelchair to extend your reach. Leaning over chair could change its center of gravity and cause an unstable situation resulting in a fall or tip-over. A tip-over or fall could result in damage to your chair or in serious injury or death.
- Do not lift wheelchair by its removable parts while occupied. Lifting a wheelchair by removable parts - e.g. armrests or footrests - while occupied could cause user to fall or lose control. A fall or loss of control could result in damage to your chair or in serious injury or death.

CAUTION

CAUTION: Avoid overtightening bolts and hardware that attach components to the frame. Overtightening could cause damage to the chair; affecting its durability and performance.

NOTE: If you are unsure how to properly tighten bolts or hardware, consult your authorized supplier.

IV. WARNINGS

C. Positioning Belts or Harnesses

WARNING

WARNING: Never leave a user who cannot maintain their own seated posture unattended when using positioning belts or harnesses. The user may slide down and become entangled in the belt or harness which may result in severe injury or death.

Positioning belts are designed to assist with proper positioning within the wheelchair. They are not designed as seat belts. Use positioning belts ONLY to help support the user's posture. Misuse of positioning belts may result in severe injury or death.

- Ensure the user does not slide underneath the positioning belt in the wheelchair seat. If this occurs, the user's breathing may be hampered causing death or serious injury.
- The positioning belt should have a snug fit; tight enough to hold their position, but not so tight as to restrict breathing. You should be able to slide your hand between the positioning belt and the user.
- **NEVER Use Positioning Belts:**
 - a. As a restraint. A restraint requires a doctor's order.
 - b. On a user who is unconscious.
 - c. As an occupant restraint in a motor vehicle. A positioning belt is not designed to replace a seat belt that is attached to the frame of a vehicle, which would be required of an effective seat belt. During a sudden stop, with the force of the stop, the user would be thrown forward. Wheelchair seat belts will not prevent this, and further injury may result from the belts or straps. See Transit Use (V. Set Up & Use of Your Wheelchair - Section B).

D. Riding Your Wheelchair

Your chair is designed for use on solid, flat surfaces such as concrete, asphalt and flooring. Use caution if you push your wheelchair on a wet or slick surface.

WARNING

WARNING: Avoid pushing or using your chair in sand, loose soil or over rough terrain. Use over such surfaces could cause a loss of stability and result in a fall or loss of control. A fall or loss of control could result in damage to your chair or in serious injury or death.

- Avoid using your wheelchair on a public road. Use of a wheelchair on a public road could result in serious injury or death. Wheelchairs are not legal for use on public roads in most states. If you find you must use a chair on a public road, be alert to the danger of motor vehicles.
- Avoid obstacles and road hazards. Obstacles and hazards - e.g. potholes, broken pavement - could cause a fall, tip-over or loss of control. A fall, tip-over, or loss of control could result in damage to your chair or in serious injury or death.
- Do not ride your wheelchair on an escalator. Use of a wheelchair on an escalator could cause a fall, tip-over or loss of control. A fall, tip-over or loss of control could result in damage to your chair or in severe injury or death.

IV. WARNINGS

D. Riding Your Wheelchair (Continued)

To minimize these risks:

1. Keep a lookout for danger-scan the area well ahead of your chair as you ride.
2. Make sure the floor areas where you live and work are level and free of obstacles.
3. Remove or cover threshold strips between rooms.
4. Install a ramp at entry or exit doors. Make sure there is not a drop off at the bottom of the ramp.
5. To Help Adjust Your Center of Balance:
 - a. Lean your upper body **FORWARD** slightly as you go **UP** over an obstacle.
 - b. Press your upper body **BACKWARD** as you go **DOWN** from a higher to a lower level.
6. If your chair has anti-tip tubes, lock them in place before you go **UP** over an obstacle.
7. Keep both of your hands on the handrims as you go over an obstacle.
8. Never push or pull on an object (such as furniture or a doorjamb) to propel your chair.
9. Do not operate your wheelchair on roads, streets or highways other than marked cross walks.
10. Do not attempt to push over obstacles without assistance.

E. Power Drives



WARNING: Do not attach unapproved external power drive systems to your chair. Use of an unapproved external power drive system could result in mechanical failure of the chair or cause a fall, tip-over or loss of control. A fall, tip-over or loss of control could result in damage to your chair or in severe injury or death.

Ki Mobility does not recommend the installation of power drive systems on any Ethos wheelchair. Ethos wheelchairs have not been designed or tested as power wheelchairs. If you add a power drive system to an Ethos wheelchair, be sure the manufacturer of the power drive system has validated and approved the combination of the power drive system and Ethos wheelchair as safe and effective.

F. Ascending Stairs

NOTE: Have at least two people, who have sufficient strength and skill to handle the weight of the user and wheelchair, assist when trying to go up a set of stairs in this wheelchair.

- Move the wheelchair and user backwards up the stairs.
- Position one person behind the user, one person in front. The person in front must hold onto a non-removable part of the wheelchair.
- The rear attendant tilts the chair back and they both lift together. Take one step at a time.
- This may require the anti-tips be flipped up or removed. Make sure the anti-tips are reattached or flipped back down before using the wheelchair.

IV. WARNINGS

G. Descending Stairs

NOTE: When descending a set of stairs the user should be facing forward.

- A person behind the user, who has sufficient strength and skill to handle the weight of the user and the wheelchair, should tilt the chair backward and let the chair down the stairs one step at a time on the rear wheels.
- This may require the anti-tips be flipped up or removed. Make sure the anti-tips are reattached or flipped back down before using the wheelchair.

H. Transfers

WARNING

WARNING: Be trained and assured that you can transfer on your own or have a person assist you. It is dangerous to transfer on your own. It requires good balance and agility. Be aware there is a point during every transfer when the wheelchair seat is not below you. Failure to perform a transfer properly can result in a fall that could result in severe injury or death.

A transfer requires good balance and stability. You should receive training from your therapist before attempting to do a transfer on your own.

NOTE: Before transferring out of your wheelchair every caution should be taken to reduce the gap between the two surfaces.

- Engage the wheel locks to lock the rear wheels.
- Rotate the casters forward to increase the wheelbase of the wheelchair.
- Remove or swing away the footrests.
- Have someone assist you unless you are well experienced in transfers.

I. Your Wheelchair and the Environment

CAUTION

CAUTION: Exposure to water or excessive moisture may cause the metal in the wheelchair to rust or corrode and the fabric to tear. Dry your chair as soon as possible if exposed to water.

- DO NOT USE YOUR WHEELCHAIR IN A SHOWER, POOL OR BODY OF WATER. This will cause your wheelchair to rust or corrode and eventually fail.
- Do not operate your wheelchair in sand. Sand can get into the wheel bearings and moving parts. This will cause damage and eventually will cause the wheelchair to fail.
- Make sure any ramp, slope or curb cut you may attempt to ride on is compliant with ADA guidelines. Riding across, up or down any slope that is too great may cause a loss of stability.

ADA Guidelines and more information about accessible design are available at: <http://www.ada.gov/>

IV. WARNINGS

J. Modifying your Wheelchair

CAUTION

CAUTION: Your wheelchair was engineered and manufactured under strict design controls. An integral part of this process is ensuring the various components work together correctly; they have been tested to various standards to ensure quality and are approved to work together. NO ONE SHOULD MODIFY THIS WHEELCHAIR EXCEPT BY ADJUSTING IT ACCORDING TO THIS MANUAL OR BY ADDING KI MOBILITY APPROVED OPTIONS. THERE ARE NO APPROVED OPTIONS THAT INVOLVE DRILLING OR CUTTING THE FRAME BY ANYONE OTHER THAN A TRAINED KI MOBILITY ASSOCIATE. Contact Ki Mobility or an authorized Ki Mobility supplier before adding any accessories or components not provided by Ki Mobility.

K. Wheelchair Stability

WARNING

WARNING: Assure chair is stable throughout the range of tilt angle change before using. This chair is equipped with a system to vary the tilt angle of the seat frame. Make sure the chair is stable throughout the range of tilt angle change to avoid instability and a possible tip-over. A tip-over could result in damage to your chair or in serious injury or death.

NOTE: Wheelchair set up should be done only by a qualified technician.

- During set up, include any accessories you use daily.
- Chair should be readjusted with changes in your weight or how you sit.
- Use anti-tips while you acclimate to changes in your chair set up.

To ensure proper stability of your wheelchair, you must make sure the center of gravity and the wheelchairs base of support is correct for your balance and abilities. Many factors can affect these two elements:

- Seat height
- Seat depth
- Back angle
- Seat angle
- Size and position of rear wheels
- Size and position of front casters
- Any seating system components

Generally, the most important factor is the position of the rear wheels for rearward stability. There are other actions than can have an adverse effect on your stability. You should consult with your wheelchair provider and clinicians familiar with your needs and capabilities in determining how this affects your use.

WARNING

WARNING: Take care when shifting your weight in your chair, adding weight to your chair or making changes to your chair. Changes to your Center of Gravity could change and affect the stability of your chair, which could result in a tip-over or a fall. A tip-over or fall could result in damage to your chair or in serious injury or death to you or to others. Changes to your Center of Gravity during your daily activities - such as dressing, carrying or reaching for objects, pushing up an incline - may occur many times a day. You should be aware of these activities and take precautions to minimize the risk of a fall, such as the use of anti-tips.

IV. WARNINGS

K. Wheelchair Stability (Continued)

WARNING

WARNING: Attempting a wheelie to get over a curb or obstacle is a hazardous maneuver. Do not attempt a wheelie unless you have been trained. This maneuver could lead to a fall. A fall could result in serious injury or death.

Some strategies to minimize your risk of falling

- Ensure anti-tips are in place and lean forward.
- Have an attendant behind you to provide assistance.

L. Aftermarket Seating

WARNING

WARNING: The installation of a cushion on a wheelchair could affect the center of gravity of the wheelchair. Changes in your center of gravity may affect your stability in your wheelchair, resulting in tipping over or falling from your wheelchair which may result in serious injury. Always review the instructions for use of your wheelchair to see if changes to the wheelchair may be needed to provide sufficient stability after adding a cushion.

- The integrity of your skin can be affected by many aspects of your daily life and medical condition, including the use of this product. Be sure to follow any skin care regimens established by your clinician. Consumers of this product should make sure their skin is inspected routinely for changes as directed by their clinician. Failure to do so could result in serious injury or death.

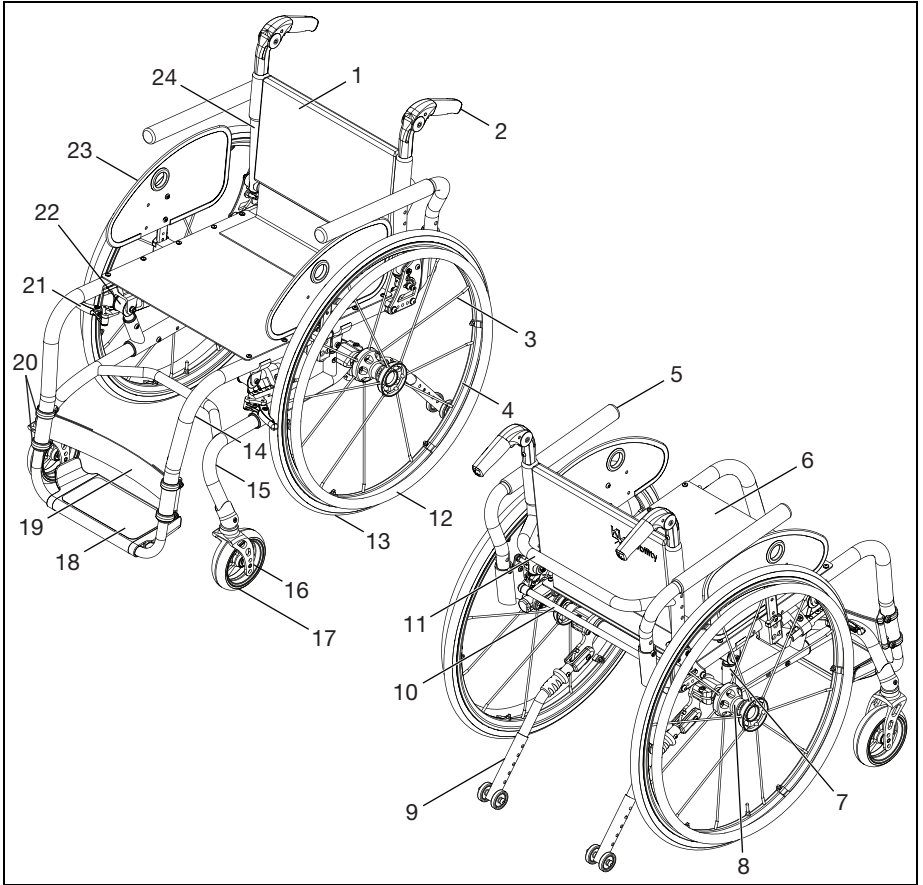
Selecting the Proper Seating Product

Ki Mobility recommends that you consult with a licensed clinician (i.e. Physician or therapist) trained in wheelchair seating and positioning before selecting any seating and positioning product. This will help ensure you receive the right product for your specific needs.

V. SET UP & USE OF YOUR WHEELCHAIR

A. Your Ethos & It's Parts

1. Inspect and maintain this chair. See Maintenance on page 28.
2. If you detect a problem, contact your authorized supplier immediately.
3. Have a complete inspection, safety check and service of your chair performed by an authorized supplier annually.



- | | | |
|------------------------|--|--|
| 1. Backrest Upholstery | 9. Anti-Tip | 17. Caster Wheel |
| 2. Push Handle | 10. Release Bar | 18. Footplate |
| 3. Spoke | 11. Rigidizer Bar | 19. Calf Strap |
| 4. Wheel Rim | 12. Handrim | 20. Calf Strap Mount |
| 5. Armrest | 13. Wheel | 21. Wheel Lock |
| 6. Seat Upholstery | 14. Seat Frame | 22. Intelligent Elastomer System (IES) |
| 7. ISO Tower | 15. Base Frame (Comprised of rear and front base frames) | 23. Side Guard |
| 8. Rear Wheel Hub | 16. Caster Fork | 24. Backrest Tube |

V. SET UP & USE OF YOUR WHEELCHAIR

B. Transit Use

WARNING

WARNING: Never use this wheelchair as a seat in a motor vehicle unless it has been equipped with the Transit Option. It is always safest to transfer out of your wheelchair onto a seat in a motor vehicle with appropriate seat and shoulder belts. Using this wheelchair as a seat in a motor vehicle, if not equipped with the transit option, could result in serious injury or death.

The wheelchair equipped with the Transit Option has been tested to and passed the RESNA WC-4:2012, Section 19: Wheelchairs used as seats in motor vehicles and ISO 7176-19:2008 Wheelchairs -- Part 19: Wheeled mobility devices for use as seats in motor vehicles. RESNA and ISO standards are designed to test the structural integrity of the wheelchair as a seat for use in a motor vehicle. These standards are also designed to create compatibility with Wheelchair Tie-down and Occupant Restraint Systems (WTORS).

Not all configurations of the Ethos wheelchairs are compatible with the Transit Option. Ki Mobility manages the configuration and does not offer the Ethos wheelchair except in compatible configurations. If you make changes to your Ethos wheelchair after you receive it, you should contact your wheelchair provider or Ki Mobility to make sure it is appropriate to continue to use your wheelchair as a seat in a motor vehicle.

Aftermarket seating may have replaced the original equipment seat and back support designed and tested as part of the Transit Option. Your wheelchair provider should tell you if the seating they provided is original equipment or replacement aftermarket seating. A complete system of wheelchair frame, seating, Wheelchair Tie-down and Occupant Restraint Systems and a properly equipped motor vehicle, that have all complied with the standards mentioned in this section, should be in place before using an Ethos wheelchair equipped with the Transit Option as a seat in a motor vehicle.

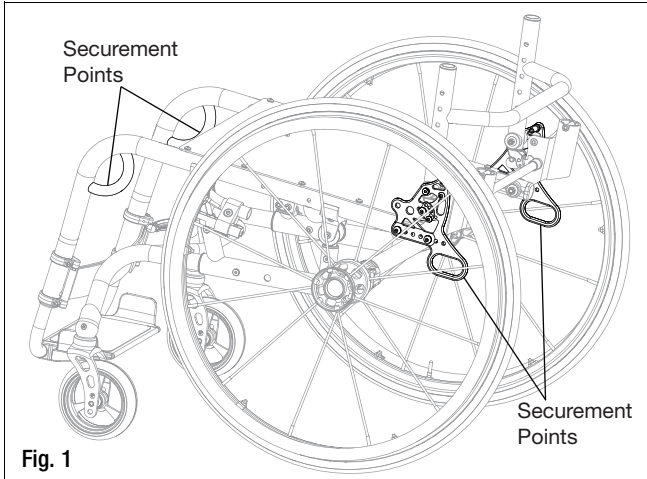
When using your wheelchair as a seat in a motor vehicle you should always observe the following instructions:

- The rider must be in a forward-facing position.
- The rider and all items carried must not weigh more than 275 lbs (125 kg).
- Backpacks and pouches should be removed and secured separately in the motor vehicle. In the event of an accident these items can become dangerous projectiles, which may injure or kill you or other occupants of the motor vehicle.
- The rider must use a Wheelchair Tie-down and Occupant Restraint System that complies with RESNA WC-4:2012, Section 18: Wheelchair tie-down and occupant restraint systems for use in motor vehicles or ISO 10542-1:2012 Technical systems and aids for disabled or handicapped persons -- Wheelchair tie-down and occupant-restraint systems -- Part 1: Requirements and test methods for all systems.

V. SET UP & USE OF YOUR WHEELCHAIR

B. Transit Use (Continued)

- Attach wheelchair tie-downs to the four securement points (two front, two rear) on the Ethos wheelchair with the Transit Option (Fig. 1) in accordance with the wheelchair tie-down manufacturer's instructions and RESNA WC-4:2012, Section 18 or ISO 10542-1:2012 - Part 1.



- Attach occupant restraints in accordance with the occupant restraint manufacturer's instructions and RESNA WC-4:2012, Section 18 or ISO 10542-1:2012, Part 1.
- Use of lap belts, chest straps, shoulder harnesses, any other positioning strap system or positioning accessory should not be used, or relied on as an occupant restraint, unless it is marked as such by the manufacturer in accordance with RESNA WC-4:2012, Section 18 or ISO 10542-1:2012, Part 1.
- Use of headrests, lateral supports or other positioning accessories should not be used, or relied on as an occupant restraint, unless it is marked as such by the manufacturer in accordance with RESNA WC-4:2012, Section 18 or ISO 10542-1:2012, Part 1 or RESNA WC-4:2012, Section 20: Wheelchair seating systems for use in motor vehicles or ISO 16840-4:2009 Wheelchair seating -- Part 4: Seating systems for use in motor vehicles.
- After being fitted and adjusted, the top of the original equipment back upholstery should be within 4 inches (10.16 cm) of the top of your shoulder.
- Any aftermarket seating should be tested to comply with RESNA WC-4:2012, Section 20 or ISO 16840-4:2009 - Part 4.
- Attach the seating to the wheelchair frame in accordance with the seating manufacturer's instructions and RESNA WC-4:2012, Section 20 or ISO 16840-4:2009 - Part 4.
- Aftermarket accessories such as trays, oxygen tank holders, oxygen tanks, IV poles, back packs, pouches and items not manufactured by Ki Mobility should be removed and secured separately in the motor vehicle. In the event of an accident, these items can become dangerous projectiles which may injure or kill you or other occupants of the motor vehicle.
- If the wheelchair has been involved in an accident, you should not continue to use it, as it may have suffered fatigue that may not be visible.

V. SET UP & USE OF YOUR WHEELCHAIR

B. Transit Use (Continued)

WARNING

WARNING: Remove and secure any items temporarily attached to the chair while in a motor vehicle. Leaving items attached to the vent tray, battery tray or oxygen tank holder and not securing them properly and separately in a motor vehicle could result in these items becoming dangerous projectiles in the event of an accident. Additionally, oxygen tanks contain a highly pressurized gas that vigorously accelerates combustion.

- When using this wheelchair as a seat in a motor vehicle, you must remove any items attached to the vent tray, battery tray or oxygen tank holder and properly secure them separately.
- If the chair is equipped with an oxygen tank holder never use the wheelchair as a seat in a motor vehicle.

NOTE: To obtain copies of RESNA or ISO standards please contact the standards organizations below:

RESNA

1700 N Moore St Ste 1540
Arlington, VA 22209
Phone: 703-524-6686
Fax: 703-524-6630
Email: technicalstandards@resna.org

ANSI/RESNA Standards:

RESNA WC-4:2012, Section 18:

Wheelchair tie-down and occupant restraint systems for use in motor vehicles.

RESNA WC-4:2012, Section 19:

Wheelchairs used as seats in motor vehicles.

RESNA WC-4:2012, Section 20:

Wheelchair seating systems for use in motor vehicles.

International Organization for Standardization (ISO)

BIBC II
Chemin de Blandonnet 8
CP 401
1214 Vernier, Geneva
Switzerland
Phone: +41 22 749 01 11
Fax: +41 22 733 34 30
Email: central@iso.org

ISO Standards:

ISO 10542-1:2012 Technical systems and aids for disabled or handicapped persons -- Wheelchair tie-down and occupant-restraint systems -- Part 1:

Requirements and test methods for all systems.

ISO 16840-4:2009 Wheelchair seating – Part 4:

Seating systems for use in motor vehicles.

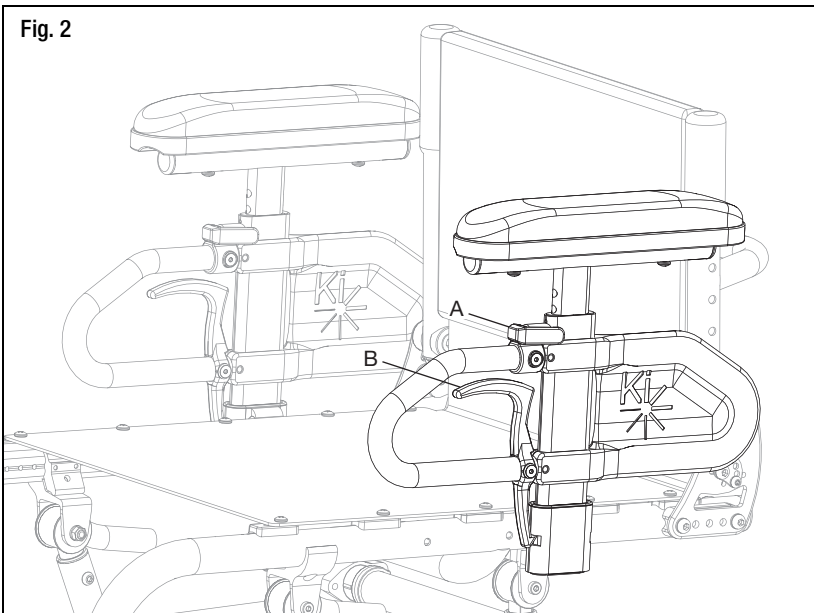
ISO 7176-19:2008 Wheelchairs – Part 19:

Wheeled mobility devices for use as seats in motor vehicles.

V. SET UP & USE OF YOUR WHEELCHAIR

C. Height Adjustable T-Arm

1. Installation
 - a. Slide the outer arm post into the receiver mounted to the wheelchair frame.
 - b. The armrest will automatically lock into place. Check to make sure the locking lever is as shown (Fig. 2:B).
2. Height Adjustment
 - a. Rotate release lever (Fig. 2:A).
 - b. Slide armrest pad up or down to desired height.
 - c. Return lever to locked position against arm post.
 - d. Push arm pad until upper arm locks firmly into place. Check to make sure the locking lever is as shown (Fig. 2:A).
3. Removing Armrest
 - a. Squeeze release lever (Fig. 2:B) and remove the armrest.



V. SET UP & USE OF YOUR WHEELCHAIR

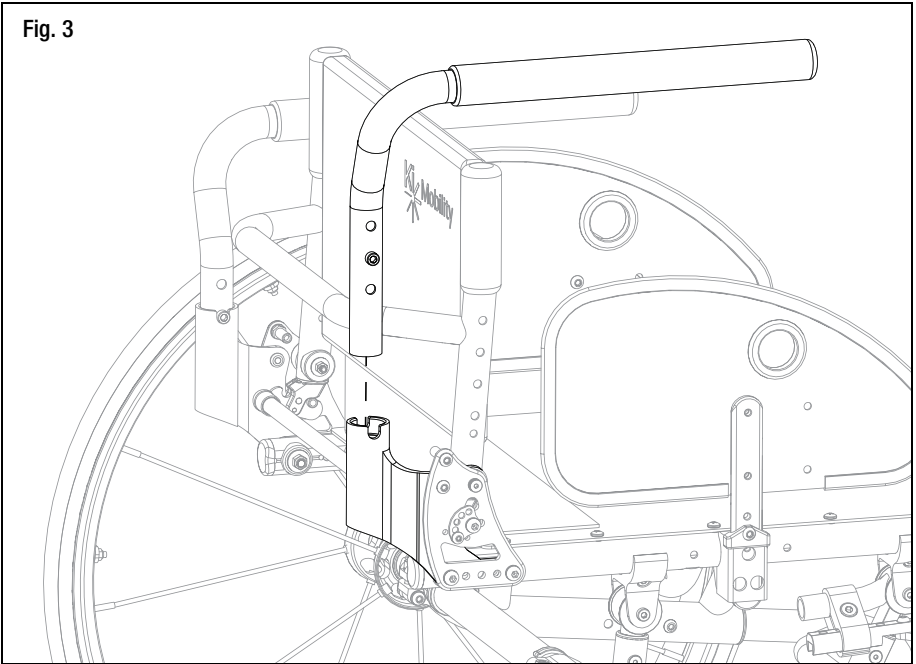
D. Swing Away Armrests

⚠ WARNING ⚠

WARNING: These arms offer only a lock against rotation and are designed to bear a downward force only. They will remove completely if pulled up on and cannot be used to lift or otherwise handle the chair. Failure to comply with the instructions above may result in the armrest accidentally disconnecting from the wheelchair and result in a fall or loss of control and may cause serious injury or death.

1. Installation (Fig. 3)
 - a. Slide armrest into the tube of the receiver that is mounted on rear side of frame.
2. Swinging Away
 - a. Lift armrest slightly so it is free of the receiver bolt. Rotate away from the chair.
3. Removing Armrest
 - a. Lift armrest straight out of receiver.

Fig. 3



V. SET UP & USE OF YOUR WHEELCHAIR

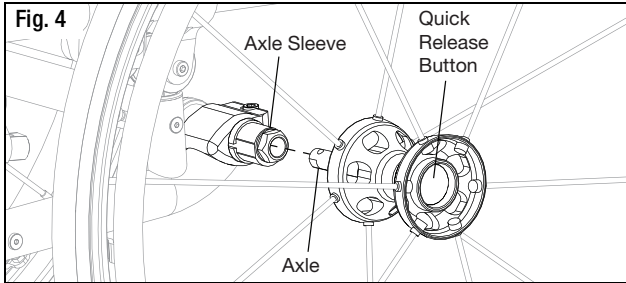
E. Rear Wheels

⚠ WARNING ⚠

WARNING: Before operating chair, assure the push button is completely extended and locking balls on the inside are fully engaged. Failure to do so may result in the wheel falling off, which could cause a fall or tip-over. A fall or tip-over could result in serious injury or death to you or others.

1. Installing Wheels (Fig. 4)

- Push in the quick release button on the axle to allow the locking balls to retract. Make note of the difference between the extended and depressed position of the axle release button and its effect on the locking balls on the other end of the axle.
- Insert the axle into the bearing housing on the wheel if it's separate.
- Push on quick release button again and slide axle into axle sleeve.
- Release the button to lock axle in sleeve. If release button does not fully extend and the locking balls do not move into the locked position after releasing the button, the axle length needs to be adjusted.



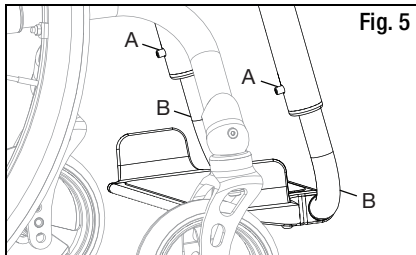
2. Removing Wheels

- Hold the wheel close to the hub and push in the button on the outside end of the axle.
- While still holding the button, pull the wheel and axle out of the axle sleeve.

F. Adjusting the Footrest

Height adjustment of your footrest

- Locate the set screw on each side of the frame (Fig. 5:A).
- Loosen the set screw on each side of the frame using a M3 Allen wrench. Do not remove.
- Adjust footrest tube up or down to achieve the desired height (Fig. 5:B).
- Ensure both sides are adjusted equally and retighten each set screw to 40 in./lbs (4.52 N*m).

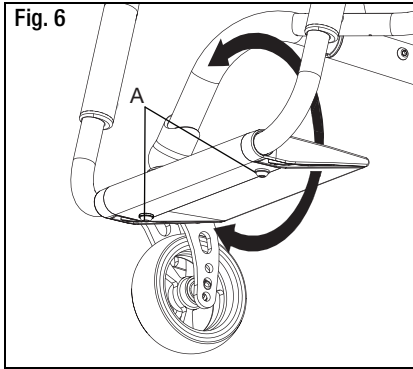


V. SET UP & USE OF YOUR WHEELCHAIR

G. Optional Dynamic Footplate

Angle adjustment of your footrest

1. Loosen the two screws (Fig. 6:A) on the bottom of the footrest using a 4mm Allen wrench.
2. Rotate footrest to desired angle and secure in place by retightening the two screws.



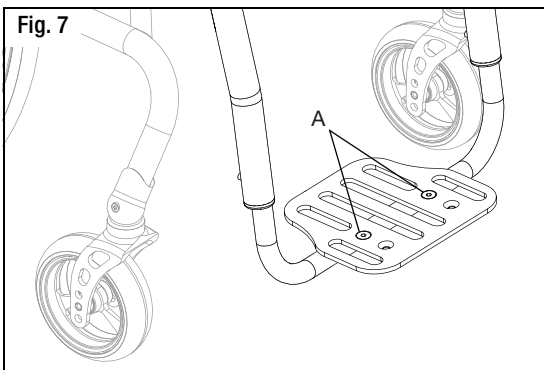
H. Optional Angle Adjustable Footplate

To adjust the angle of the optional angle adjustable footplates:

1. Loosen but do not remove, the two M6 screws (Fig. 7:A) securing the footplate to the footplate clamp with a 4mm Allen wrench.
2. Once loose, the footplate will easily rotate around the footrest extension tube.
3. Select the desired position and retighten the two M6 screws (Fig. 7:A) to 80 in./lbs (9.04 N*m).

Changing position of the optional aluminum flip-up footplate:

1. Remove both M6 screws from the footplate. There are M6 nylock nuts recessed on the underside of the clamp. Be sure to prevent these from falling as you loosen the screws.
2. Relocate the footplate once the screws are loose by rotating either forward or rearward, depending on desired angle. Once position is achieved, reinsert the screws into the appropriate holes.
3. Fit the nuts into the slot underneath the clamp and tighten the screws securely.

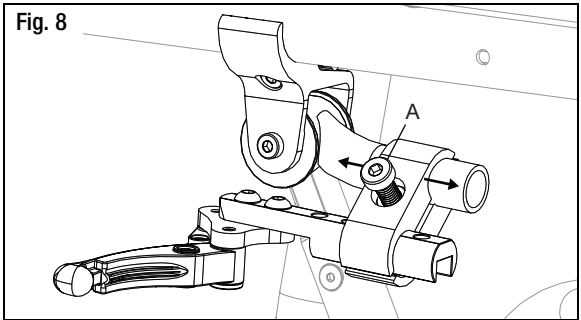


V. SET UP & USE OF YOUR WHEELCHAIR

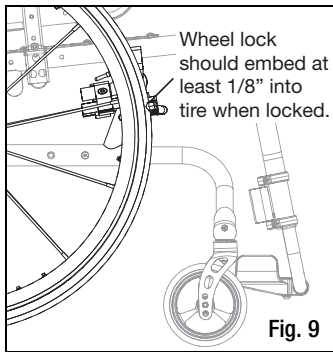
I. Wheel Locks

1. Adjusting Wheel Locks

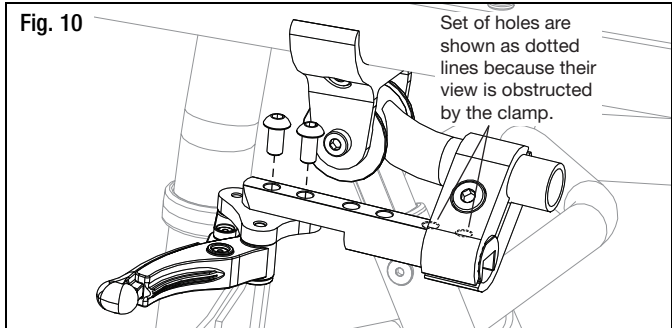
- a. Use a 6mm Allen wrench to loosen the clamp bolt (Fig. 8:A).
- b. Slide the wheel lock assembly forward or backward along the lock mount tube.
- c. Retighten clamp bolt when in correct position using a 6mm Allen wrench.



- d. Always test new wheel lock positioning before use. Wheel lock should embed approximately 1/8" into tire when engaged or in lock position. See Fig. 9.



NOTE: The wheel lock arm can be moved along the different sets of holes on the wheel lock bar. Use a 4mm Allen wrench to remove the two bolts, move to new position and reinstall bolts. See Fig. 10.



V. SET UP & USE OF YOUR WHEELCHAIR

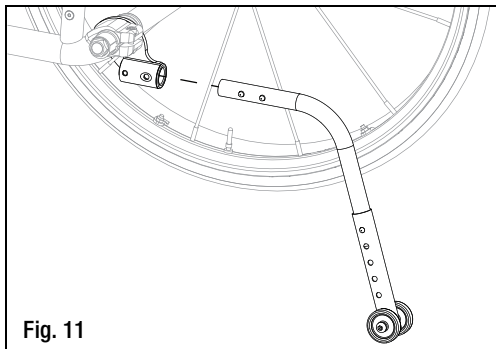
J. Anti-Tips

Anti-tip tubes help prevent your wheelchair from tipping over backwards. When adjusted properly, they provide a significant increase in rearward stability. Your stability can be affected by traversing uneven ground, a ramp, slope or other surface that changes your relationship to gravity. Your stability can also be affected by other forces acting on you and your wheelchair, such as someone pushing down or leaning on your push handles or other parts of your chair. This can happen to even the most experienced wheelchair user. People in your environment do not necessarily understand they are impacting your stability.

Standard Anti-Tip

1. Installing Standard Anti-Tips (Fig. 11)

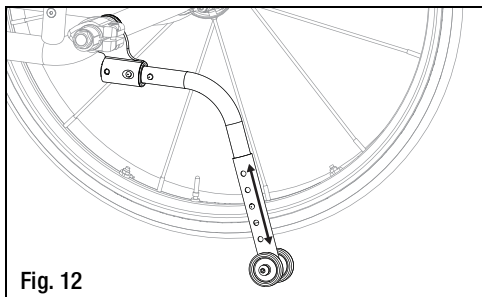
- a. Press the rear anti-tip release pin on the anti-tip tube so both release pins are drawn inside.
- b. Insert the anti-tip tube into receiver mounted on the camber tube.
- c. Turn the anti-tip tube down until release pin is positioned through the receiver mounting hole.
- d. Insert the second anti-tip tube the same way.



2. Adjusting Height of Wheel Extension (Fig. 12)

The anti-tip tube wheels may have to be raised or lowered to achieve proper clearance of 1 1/2" to 2" (3.81 to 5.08 cm).

- a. Press the anti-tip wheel release pin so the release pin is drawn inside.
- b. Raise or lower to any of the predrilled holes.
- c. Release pin.
- d. Adjust the second anti-tip tube wheel the same way. Both wheels should be at exactly the same height.



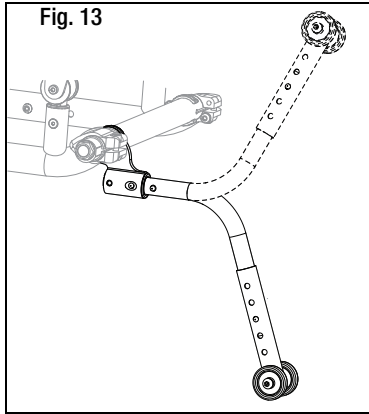
V. SET UP & USE OF YOUR WHEELCHAIR

J. Anti-Tips (Continued)

3. Turning Anti-Tip Tubes Up (Fig. 13)

Turn anti-tip tubes up when being pushed by an attendant, overcoming obstacles or climbing curbs.

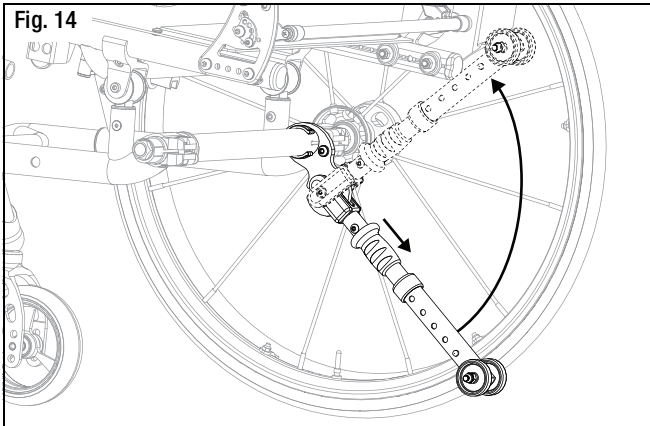
- a. Press the rear anti-tip tube release pin.
- b. Hold pin in and turn anti-tip tube up.
- c. Release pin.
- d. Repeat with second anti-tip tube.
- e. Remember to return anti-tip tubes to down position after completing maneuver.



User Activated Anti-Tip

1. Turning Anti-Tip Tubes Up (Fig. 14)

- a. Press the anti-tip wheel release pin so the release pin is drawn inside.
- b. Raise or lower to any of the predrilled holes.
- c. Release pin.
- d. Adjust the second anti-tip tube wheel the same way. Both wheels should be at exactly the same height.



V. SET UP & USE OF YOUR WHEELCHAIR

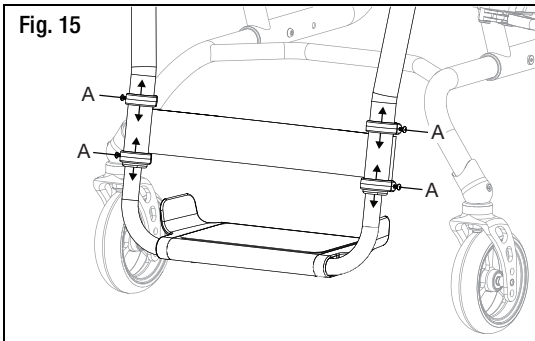
K. Upholstery Fabric

1. You must immediately replace seat and back upholstery that has worn through and shows signs of failing. If you fail to do so, the seat or back may fail.
2. The seat sling material will weaken over time. Look for fraying, thin spots or stretching of fabrics especially at edges and seams. This should be done weekly.
3. The repeated action of transferring to your wheelchair will weaken sling material and result in the need to inspect and replace the seat more often.
4. Be aware that laundering or excess moisture will reduce flame retardation of the fabric.
5. Contact your wheelchair provider if you have concerns about your seat or back, or feel it needs to be replaced.

L. Calf Strap Mount

Adjusting Height of the Calf Strap Mount

1. Loosen the four screws (Fig. 15:A) on the calf strap mount with a Philips screwdriver.
2. Move the calf strap mount up or down to desired height and secure in place by retightening the four screws (Fig. 15:A) with a Philips screwdriver.

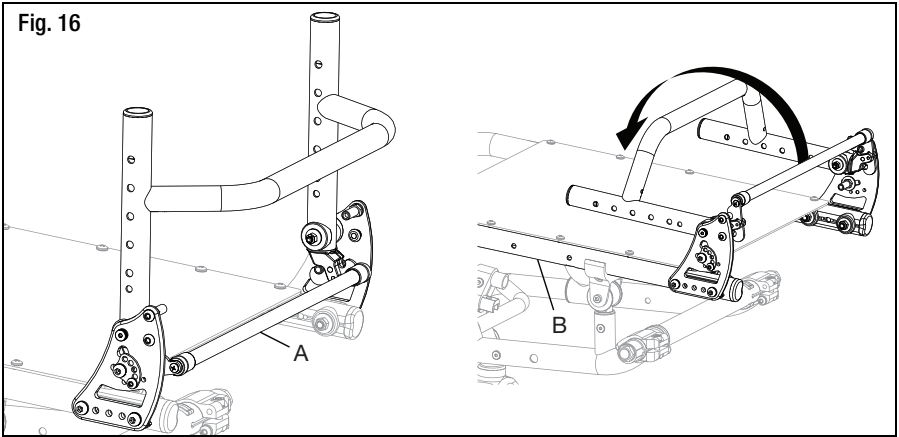


V. SET UP & USE OF YOUR WHEELCHAIR

M. Backrest

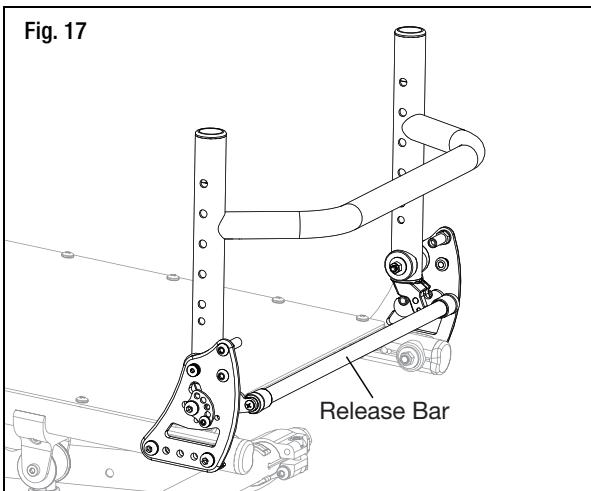
1. Folding Backrest

- a. Lift the back release bar (Fig. 16:A), located behind the back frame, to release the latch and fold downwards towards the seat frame (Frame 16:B). To latch back into place, pull the back release bar outward and the back will release and can be pushed into the upright position. The backrest will automatically latch onto the side frame.
- b. Ensure a solid engagement onto the latches by pulling back on the backrest frame into the upright position.



2. Relaxed Position (Fig. 17)

The Ethos backrest will also open into an extended position. Lean forward slightly to take the load off the latching pins and then pull up on the release bar and lean back into the relaxed position. Lock the back by pulling back tubes forward until the back locks with a click.



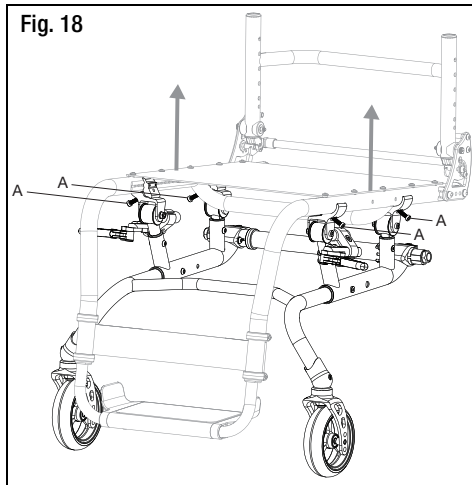
V. SET UP & USE OF YOUR WHEELCHAIR

N. Changing Elastomers

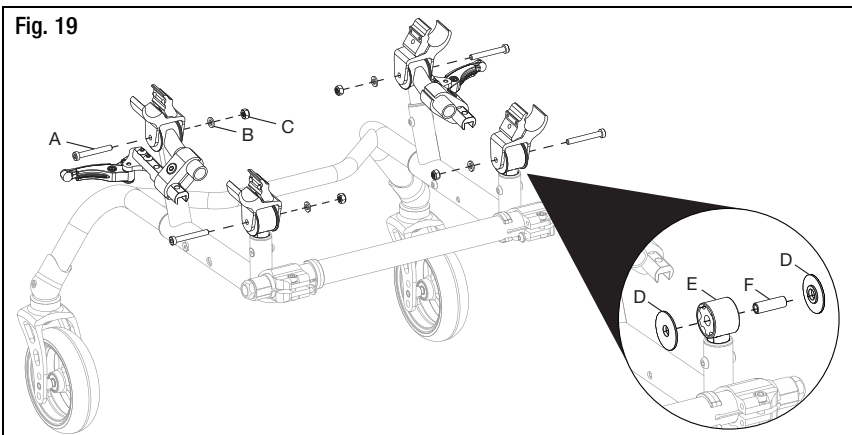
Included with your chair are elastomers in different densities from what was configured on chair at time of order. These have been provided to allow the ride experience to be optimized based on rider preference. For additional information on elastomer selection and tailoring your ride experience, please visit the Ethos product page at www.kimobility.com.

Elastomers can be changed or reconfigured. Follow the instructions below to complete this procedure. A chart is included in these instructions to help guide the user to the correct elastomers for their needs.

1. Loosen the four seat frame clamp bolts (Fig. 18:A) with a 5mm Allen wrench until the seat frame can be removed from the base frame.



2. Remove the seat frame clamps by removing bolt (Fig. 19:A), washer (Fig. 19:B) and nut (Fig. 19:C) from each clamp using a 4mm Allen wrench and a 10mm wrench. When the clamps come off, remove the two washers (Fig. 19:D) and insert (Fig. 19:F) on the elastomer (Fig. 19:E).

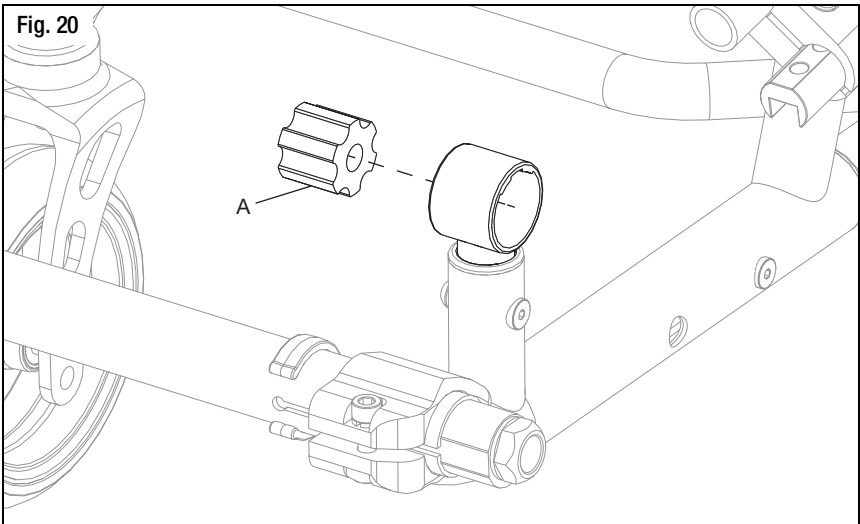


V. SET UP & USE OF YOUR WHEELCHAIR

N. Changing Elastomers (Continued)

- Push the elastomers (Fig. 20:A) that you are replacing, out of the tower and push in new elastomers. Ensure edges of elastomer line up with the groove inside the tower. See the chart below to help determine which elastomers suit the type of ride you desire, standard or firm, based on the user weight and the chair center of gravity. The elastomer part number and color are called out in the chart. See Fig. 20 for illustration.

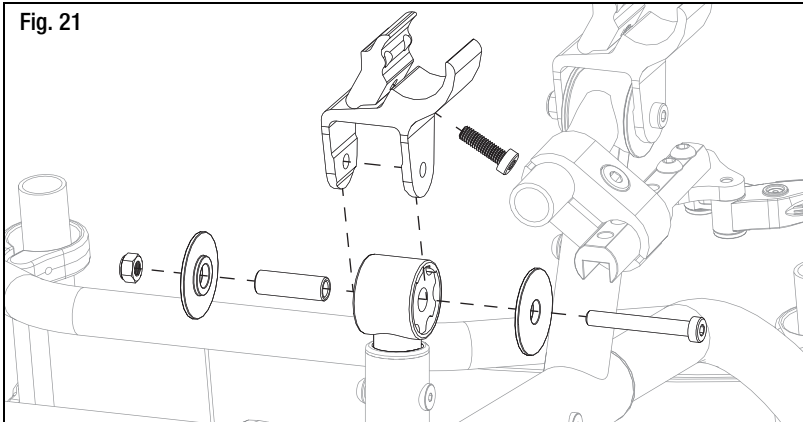
Standard Setup				
User Weight	Center of Gravity			
	-1.5 to 1	1.25 to 2	2.25 to 3	3.25 to 4.25
100-120 lb (45-54 kg)	003860 (BLUE)	003860 (BLUE)	003859 (RED)	003859 (RED)
121-165 lb (55-75 kg)	004544 (BLACK)	004544 (BLACK)	003860 (BLUE)	003860 (BLUE)
166-209 lb (75-95 kg)	004545 (GREEN)	004545 (GREEN)	004544 (BLACK)	004544 (BLACK)
210-275 lb (95-125 kg)	004545 (GREEN)	004545 (GREEN)	004544 (BLACK)	004544 (BLACK)
Firm Setup				
User Weight	Center of Gravity			
	-1.5 to 1	1.25 to 2	2.25 to 3	3.25 to 4.25
100-120 lb (45-54 kg)	004544 (BLACK)	004544 (BLACK)	003860 (BLUE)	003860 (BLUE)
121-165 lb (55-75 kg)	004545 (GREEN)	004545 (GREEN)	004544 (BLACK)	004544 (BLACK)
166-209 lb (75-95 kg)	004545 (GREEN)	004545 (GREEN)	004545 (GREEN)	004545 (GREEN)
210-275 lb (95-125 kg)	004545 (GREEN)	004545 (GREEN)	004545 (GREEN)	004545 (GREEN)



V. SET UP & USE OF YOUR WHEELCHAIR

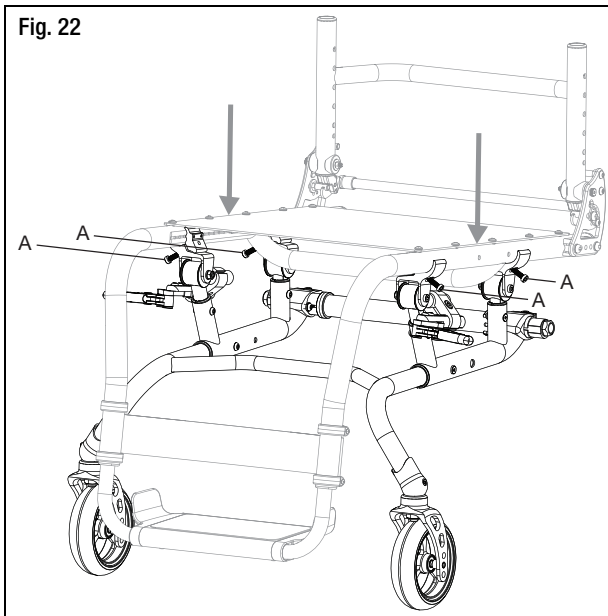
N. Changing Elastomers (Continued)

4. Reinstall seat frame clamp with bolt, two washers, insert and nut using a 4mm Allen wrench and a 10mm wrench. Install bolt back into the seat frame clamp top and leave loose so seat frame can still be installed. Repeat on other replaced elastomers. See Fig. 21.



5. Set seat frame assembly onto the seat frame clamps, adjust to the desired seat depth and secure in place by tightening the four seat frame clamp bolts (Fig .22:A) with a 4mm Allen wrench. Ensure detents on clamps align with the indents on the frame as you tighten.

NOTE: Ensure seat frame is correctly aligned and secured before user is seated.



V. SET UP & USE OF YOUR WHEELCHAIR

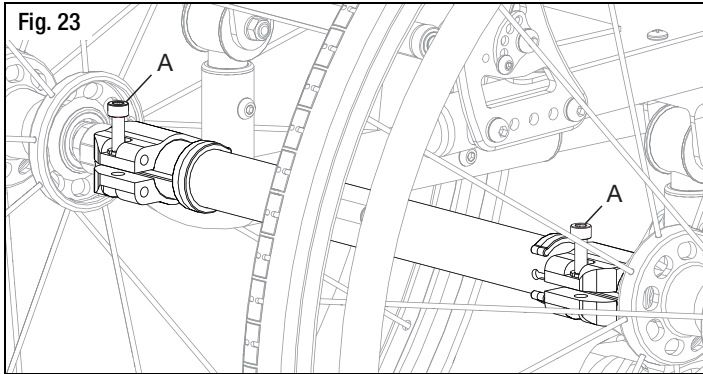
O. Setting Toe to Zero

NOTE: A wheelchair equipped with 0° camber plugs cannot have a toe-in toe-out condition. This adjustment is only required when using 2°, 4°, 6° and 8° camber adapters.

Toe refers to how well the rear wheels of the chair are aligned relative to the ground. It affects how well the chair will roll. Drag or rolling resistance is optimally minimized when the wheel toe is set to zero.

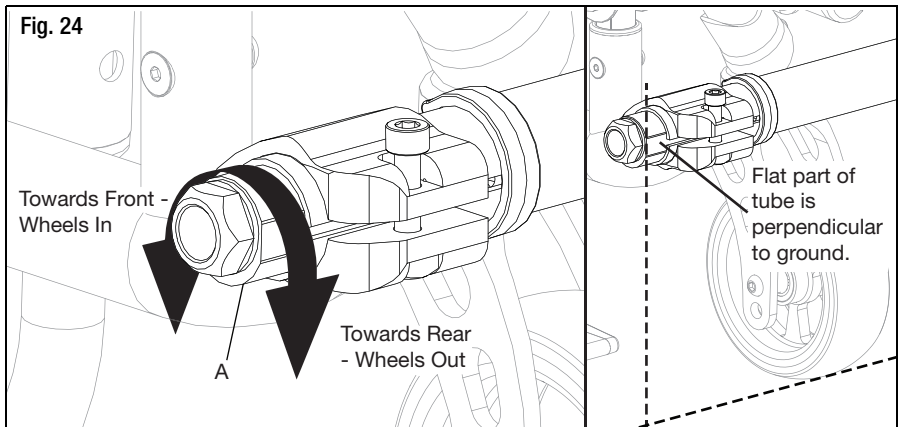
To Set Toe to Zero:

1. Loosen the two bolts (Fig. 23:A) on the camber clamp using a 5mm Allen wrench. If loosened too much, be sure to watch for the square nut in case it drops out.



2. Remove wheels.
3. Rotate the camber tube (Fig. 24:A). Rotating towards the front of the chair changes the angle of the wheels in and rotating towards the rear of the chair changes the angle of the wheels out.

NOTE: The flat sides of the camber tube should be perpendicular to the ground. See Fig. 24.



4. Reinstall wheels. Ensure camber tube is still set in the same position on the left and right side and retighten the two bolts on the camber clamp.

V. SET UP & USE OF YOUR WHEELCHAIR

P. Cushion Installation

- a. The Ethos was designed to be used with a proper wheelchair cushion.

WARNING

WARNING: Avoid sitting for long periods of time without a proper wheelchair cushion. Sitting for long periods of time without a proper wheelchair cushion could cause pressure ulcers which could lead to serious infections or even death.

WARNING

WARNING: Secure cushion before use or transfer. Failure to secure a cushion can cause it to slide out during use or transfers, resulting in a fall or loss of control. A fall or loss of control could result in damage to your chair or in serious injury or death to you or others.

- b. The standard sling upholstery is provided with loop Velcro type fastener strips. The cushion being used should have hook Velcro type fasteners that can engage the loop of the seat sling to keep the cushion from sliding out from under you. Ensure the cushion is securely attached before transferring or sitting in the wheelchair.
- c. A standard seat sling may not have been provided with your chair. Check with your wheelchair provider if an aftermarket replacement to the original equipment sling has been provided. If so, make sure you follow the instructions for use provided by the aftermarket manufacturer.

VI. MAINTENANCE

A. Inspecting Your Wheelchair

Regular and routine maintenance will extend the life of your wheelchair while improving its performance. Wheelchair repairs and the replacement of parts should be done by a qualified technician of an authorized Ki Mobility supplier.

1. General Inspections:

- a. Clean your chair at least once per month. You may need to clean your chair more frequently if you operate it in dirty environments, such as a worksite.
- b. Check to be sure that all fasteners are tight. Unless otherwise noted, fasteners should be tightened to 40 in./lbs (4.51 N*m).



CAUTION: Replace worn tires. Wheel locks may not grip properly on smooth, worn tires, which may allow unintended movement of the chair when on a slope.

- c. Check tires and casters:
 - Check the tire for tread wear. Replace the tires if they have flat spots, visible cracks or if the tread is worn off.
 - If you have inflatable tires with a valve stem, check the pressure and set to the pressure listed on the tire sidewall.
- d. Check spoke wheels for loose spokes.
- e. Check your wheel locks. As tires wear the wheel locks should be adjusted. See Section I. Wheel Locks.

VI. MAINTENANCE

B. Routine Maintenance

1. Weekly:

- a. Check wheel locks to be sure they are adjusted correctly.
- b. Check axle sleeves to ensure the axle sleeve nuts are tight.
- c. Check for broken, bent or loose spokes.
- d. Check that casters spin freely.
- e. Inspect tires and casters for wear spots.
- f. Check pneumatic tires for proper inflation.
- g. Ensure hand grips do not rotate or pull off.

2. Monthly:

- a. Inspect rear wheel axles and tighten if necessary.
- b. Inspect caster housing bearings for hair build up and remove if necessary.
- c. Inspect wheel locks to be sure assembly is tight. Make sure wheel locks properly engage the tires.
- d. Check that all fasteners are tight and secure.
- e. Inspect frame for any deformities, defects, cracks, dimples or bends. These could be signs of fatigue in the frame which could result in a failure of the chair. Discontinue use of the wheelchair immediately and contact your authorized Ki Mobility dealer.

3. Annually:

- a. Have wheelchair checked and adjusted by a qualified technician.



CAUTION: Before using chair after adjustments are made, ensure all fasteners are tight and secure.



CAUTION: Do not overtighten fasteners as this could damage the frame.

VI. MAINTENANCE

C. Cleaning

1. Axles and Wheels:
 - a. Clean around the axles and wheels WEEKLY with a damp rag.
 - b. Hair and lint will lodge in the caster housing. Disassemble the caster housing every six months to remove entangled hair.

NOTE: Do not use WD-40 or any other penetrating oil on this wheelchair. This will destroy the sealed bearings.

NOTE: Do not use any chemical cleaning agents on casters or tires.

D. Storage

1. When not in use, keep your chair in a clean, dry area. Failure to do so may result in your chair rusting and/or corroding.
2. If your chair has been in storage for more than a few weeks you should make sure it is working properly. You should inspect and service, if necessary, all items in Section A. Inspecting Your Wheelchair.
3. If your chair has been in storage for more than two months, it should be serviced and inspected by your authorized supplier before you use it.

VII. WARRANTY

Ki Mobility warrants the frame and quick-release axles of this wheelchair against defects in materials and workmanship for the life of the original purchaser. All other Ki Mobility-made parts and components of this wheelchair are warranted against defects in materials and workmanship for one year from the date of first consumer purchase.

Limitations to the Warranty

1. **We do not warrant:**
 - a. Wear items: Upholstery, tires, armrest pads, tubes, armrests and push-handle grips.
 - b. Damage resulting from neglect, misuse or from improper installation or repair.
 - c. Damage from exceeding weight limit.
2. **This warranty is VOID if the original chair serial number tag is removed or altered.**
3. **This warranty is VOID if the original chair has been modified from its original condition and it is determined the modification resulted in failure.**
4. **This warranty applies in the USA only. Check with your supplier to find out if international warranties apply.**

Ki Mobility's Responsibility

Ki Mobility's only liability is to replace or repair, at our discretion, the covered parts. There are no other remedies, expressed or implied.

Your Responsibility

- a. Notify Ki Mobility, via an authorized supplier, prior to the end of the warranty period and get a return authorization (RA) for the return or repair of the covered parts.
- b. Have the supplier send the authorized return, freight pre-paid, to:
Ki Mobility
5201 Woodward Drive
Stevens Point, WI 54481
- c. Pay any charges for labor to repair or install parts.

ETHOS

MANUAL DE INSTRUCCIONES Y GARANTÍA



I. INTRODUCCIÓN

¡Gracias por adquirir una silla de ruedas Ethos!

Por favor no utilice esta silla de ruedas sin antes leer este manual en su totalidad. ANTES de utilizarla, usted debería recibir entrenamiento sobre las prácticas seguras por un Profesional en Técnicas Asistivas (PTA) o un Profesional Médico.

Si usted tiene alguna consulta sobre cualquier aspecto de esta silla de ruedas, este manual o el servicio brindado por nosotros o su proveedor, por favor no dude en contactarnos:

715-254-0991

Por escrito a:

Ki Mobility
5201 Woodward Drive
Stevens Point, WI 54481
U.S.A

Por email a:

sales@kimobility.com

O a través de nuestro Representante:

James Leckey Design
19C Ballinderry Road
Lisburn
BT28 2SA
Teléfono: 0800 318265 (UK) or 1800 626020 (ROI)
www.leckey.com



II. TABLA DE CONTENIDOS

I. INTRODUCCIÓN

II. TABLA DE CONTENIDOS

III. NOTA - LEER ANTES DE UTILIZAR

A. Su Seguridad y Estabilidad.....	35
------------------------------------	----

IV. ADVERTENCIAS

A. Palabras de Advertencia	35
B. Advertencias Generales.....	36
C. Cinturones y Arnés de Posicionamiento.....	37
D. Maniobrar su Silla de Ruedas.....	37
E. Sistemas de Manejo Mecanizados	38
F. Ascender Escaleras.....	38
G. Descender Escaleras	39
H. Transferencias.....	39
I. Su Silla de Ruedas y el Entorno.....	39
J. Modificar su Silla de Ruedas	40
K. Estabilidad de la Silla de Ruedas.....	40
L. Asientos Post-Venta.....	41

V. SETEO & USO DE SU SILLA DE RUEDAS

A. Su Ethos & Sus Partes	42
B. Uso en Vehículos	43
C. Brazo-T con Altura Ajustable.....	46
D. Apoyabrazos Swing Away.....	47
E. Ruedas Posteriores.....	48
F. Ajustar el Apoyapiés.....	48
G. Apoyapiés Dinámico Opcional.....	49
H. Apoyapiés con Angulo Ajustable Opcional	49
I. Frenos de Ruedas.....	50
J. Anti-Vuelcos.....	51
K. Tela de Tapizado.....	53
L. Montaje de Pantorrilleras.....	53
M. Espaldar.....	54
N. Cambiar Elastómeros.....	55
O. Setear la Huella de Rueda a Cero.....	58
P. Instalar Cojín	59

VI. MANTENIMIENTO

A. Inspeccionar Su Silla de Ruedas	60
B. Mantenimiento de Rutina	61
C. Limpieza	62
D. Almacenamiento	62

VII. GARANTÍA..... 63

III. NOTA - LEER ANTES DE UTILIZAR

A. Su Seguridad y Estabilidad

Ki Mobility fabrica muchas y diferentes sillas de ruedas que podrían satisfacer sus necesidades. Usted debería consultar con un Profesional en Técnicas Asistivas para seleccionar el modelo que se ajuste a sus requerimientos particulares y entender como debería ser seteada y ajustada su silla de ruedas. La selección final, las opciones y ajustes necesarios deben ser realizados únicamente por usted y su profesional médico. Las opciones, seteos y ajustes que usted seleccione para su silla de ruedas, tendrán un impacto directo sobre su estabilidad. He aquí los factores que afectan su seguridad estabilidad:

- a. Sus habilidades y capacidades personales, incluyendo fuerza, balance y coordinación.
- b. Los tipos de peligros y obstáculos que usted podría enfrentar durante el día.
- c. Las dimensiones, opciones y seteos específicos. En particular, altura, profundidad y ángulo de asiento; ángulo del espaldar y posición de las ruedas posteriores, así como la medida y posición de los casters anteriores.

IV. ADVERTENCIAS

A. Palabras de Advertencia

En este manual usted encontrará "Palabras de Advertencia". Estas palabras son utilizadas para identificar la severidad de los diferentes peligros. Antes de utilizar esta silla, usted y cada persona que lo asista, deberían leer este manual en su totalidad. Por favor preste atención a las señales y considere cualquier advertencia, precaución o peligro. Asegúrese de seguir todas las instrucciones y utilizar su silla de manera segura. Las Palabras de Advertencia se refieren a peligros o practicas inseguras que podrían causar lesiones severas o muerte, a usted o a terceros. Las "Advertencias" tienen dos categorías, a saber:

ADVERTENCIA – Indica una situación potencialmente peligrosa que, de no ser evitada, podría resultar en lesiones severas o muerte.

PRECAUCIÓN – Indica una situación potencialmente peligrosa que, de no ser evitada, podría resultar en lesiones o daños a su silla de ruedas.

Estas palabras de advertencia serán colocadas a lo largo de este manual, para advertir apropiadamente sobre una situación peligrosa. Vea la siguiente lista de situaciones peligrosas que aplicarán al uso general de esta silla de ruedas.

ADVERTENCIA

ADVERTENCIA: El no cumplir con todas las instrucciones de este manual, o utilizar la silla de ruedas de una manera no establecida en este manual, podría resultar en lesiones severas o muerte.

IV. ADVERTENCIAS

B. Advertencias Generales

ADVERTENCIA

ADVERTENCIA: No exceda el límite de peso de esta silla:

	Estandar
Ethos	275 lbs (125 kg)

Este límite se refiere a la combinación entre el peso del usuario y todos los items que transporta. Exceder el límite de peso podría dañar su silla o aumentar el riesgo de caídas o vuelcos. Un vuelco o caída podría resultar en lesiones severas o muerte.

- No utilice esta silla para entrenamiento con pesas. El movimiento de peso adicional altera el centro de gravedad de la silla, aumentando el riesgo de vuelcos. Un vuelco podría resultar en daños a su silla o lesiones severas o muerte.
- Mantenga las llantas infladas a la presión correcta. Las llantas desinfladas podrían afectar su estabilidad, aumentando el riesgo de vuelcos. Un vuelco podría resultar en daños a su silla o lesiones severas a usted o terceros. La presión correcta de las llantas se indica en la pared lateral de las mismas. En caso de duda, su proveedor determinará si las llantas son inflables.
- Las llantas desinfladas podrían afectar el funcionamiento de los frenos. Si los frenos no detienen las ruedas, podría ocasionar una pérdida de control o una caída. Esto podría resultar en lesiones severas o muerte.
- Evite las rampas o pendientes cuya inclinación sea mayor a 9 grados, que podrían aumentar el riesgo de caídas o vuelcos. Un vuelco o caída podría resultar en daños a su silla o lesiones severas o muerte a usted o terceros. No utilice la silla en rampas o pendientes cuya inclinación sea mayor a 9 grados (Unas 2 pulgadas de elevación/caída por pie lineal ya sea hacia arriba/abajo/a través).
- Evite superficies inclinadas resbaladizas o cubiertas con hielo, aceite o agua, que podrían resultar en caídas o vuelcos. Un vuelco o caída podría resultar en daños a su silla o lesiones severas o muerte.
- Evite recostarse sobre el costado o el espaldar de su silla para prolongar su alcance. Esto podría cambiar el centro de gravedad y causar una situación inestable, resultando en caída o vuelco. Un vuelco o caída podrían resultar en daños a su silla o lesiones severas o muerte.
- No levante la silla por sus partes removibles (apoyabrazos o apoyapiés) mientras está ocupada. Esto podría causar la caída del usuario o pérdida de control. Una caída o pérdida de control podría resultar en daños a su silla o lesiones severas o muerte.

PRECAUSIÓN

PRECAUSIÓN: Evite ajustar demasiado los tornillos y soportes que sujetan componentes al cuadro. Esto podría causar daño a la silla, afectando su durabilidad y desempeño.

NOTA: En caso de duda sobre cómo ajustar apropiadamente los tornillos o hardwares, por favor consulte con su proveedor autorizado.

IV. ADVERTENCIAS

C. Cinturones y Arnés de Posicionamiento

ADVERTENCIA

ADVERTENCIA: Nunca deje desatendido a un usuario que no puede mantener su postura sedente, al utilizar cinturones o arneses. El usuario podría deslizarse y enredarse en el cinturón o el arnés, lo cual podría resultar en lesiones severas o muerte.

Los cinturones de posicionamiento están diseñados para asistir en el posicionamiento correcto dentro de la silla de ruedas. Utilice los cinturones de posicionamiento **SOLAMENTE** para ayudar a sostener la postura del usuario. El uso incorrecto de los cinturones de posicionamiento podría resultar en lesiones severas o muerte.

- Asegúrese de que el usuario no se desliza por debajo del cinturón de posicionamiento, pues esto impediría la respiración del usuario, causando lesiones severas o muerte.
- El cinturón de posicionamiento debería poseer un ajuste perfecto; lo suficientemente ajustado para sostener la posición, pero no tanto como para impedir la respiración. Usted debería poder deslizar su mano entre el cinturón y el usuario.
- **NUNCA** utilice cinturones de posicionamiento:
 - a. Como restrictor del movimiento, el cual requiere prescripción médica.
 - b. En un usuario que se halla inconsciente.
 - c. Un cinturón de posicionamiento no está diseñado para reemplazar al cinturón de seguridad del vehículo. En caso de una frenada inesperada, el usuario podría ser lanzado hacia adelante. Los cinturones de la silla de ruedas no podrán evitarlo, resultando en lesiones severas. Ver Uso en Vehículos (V. Seteo & Uso de Su Silla de Ruedas - Sección B).

D. Maniobrar su Silla de Ruedas

Su silla de ruedas está diseñada para ser utilizada en superficies sólidas y planas como el concreto, asfalto o pisos. Tenga cuidado al utilizar la silla en superficies mojadas o resbaladizas.

ADVERTENCIA

ADVERTENCIA: Evite empujar o utilizar su silla sobre arena, terrenos sueltos o irregulares. Esto podría causar una pérdida de estabilidad y provocar una caída o vuelco. Una caída o pérdida de control podría resultar en daños a su silla o lesiones severas o muerte.

- Evite utilizar la silla en calles públicas. Esto podría resultar en lesiones severas o muerte. Las sillas de ruedas son ilegales para uso en calles públicas en la mayoría de los estados. Si usted debe hacerlo, manténgase alerta al peligro de vehículos motorizados.
- Evite obstáculos y otros peligros en la calle, como huecos y roturas en el pavimento, lo cual podría ocasionar caídas, vuelcos o pérdida del control. Una caída, vuelco o pérdida de control podría resultar en daños a su silla, lesiones severas o muerte.
- No utilice su silla en escaleras, lo que podría causar caídas, vuelcos o pérdida de control. Una caída, vuelco o pérdida de control podría resultar en lesiones severas o muerte.

IV. ADVERTENCIAS

D. Maniobrar su Silla de Ruedas (Continuación)

Para minimizar estos riesgos:

1. Manténgase alerta para detectar peligros delante de usted.
2. Asegure que las superficies son niveladas y libres de obstáculos.
3. Retire o cubra los umbrales de puertas entre habitaciones.
4. Instale una rampa en puertas de acceso o salida. Asegure que no hay un espacio entre la rampa y el suelo.
5. Para ajustar su Centro de Gravedad:
 - a. Incline su torso ligeramente hacia **ADELANTE** slightly as you go **MONTE** un obstáculo.
 - b. Lleve su torso hacia **ATRÁS** cuando pase de un nivel alto a uno más **BAJO**.
6. Si su silla posee tubos anti-vuelcos, ajústelos en posición antes de **MONTAR** un obstáculo.
7. Mantenga ambas manos en los aros de propulsión mientras atraviesa un obstáculo.
8. Nunca empuje o hale de un objeto (muebles o picaportes) para propulsar su silla.
9. No utilice su silla en calles, rutas o autopistas que no posean cruces peatonales.
10. No atravesie obstáculos sin asistencia.

E. Sistemas de Manejo Mecanizados

ADVERTENCIA

ADVERTENCIA: No instale sistemas mecanizados externos no aprobados en su silla de ruedas. Esto podría resultar en fallas de la silla, caídas, vuelcos o pérdida de control. Una caída, vuelco o pérdida de control podría resultar en daños a su silla, lesiones severas o muerte.

Ki Mobility no recomienda la instalación de sistemas mecanizados en ninguna silla de ruedas Ethos. Las sillas de ruedas Ethos no han sido diseñadas o testeadas como sillas mecanizadas. Si usted agrega un Sistema mecanizado a una silla de ruedas Ethos, asegúrese de que el fabricante de dicho Sistema mecanizado ha validado y aprobado que la combinación del Sistema mecanizado y la silla Ethos es segura y eficiente.

F. Ascender Escaleras

NOTA: Al menos dos personas con fuerza y habilidad suficientes para manejar el peso del usuario y de la silla de ruedas, deberán asistirlo al ascender escaleras en esta silla de ruedas.

- Mueva la silla y al usuario hacia atrás al ascender las escaleras.
- Posicione una persona detrás del usuario y otra al frente, quien deberá sostener una parte no removible de la silla de ruedas.
- El asistente detrás del usuario basculará la silla y ambos la levantarán al mismo tiempo. Ascender un escalón a la vez.
- Esto podría requerir retirar los tubos anti-vuelcos. Asegúrese de que los anti-vuelcos están nuevamente colocados antes de volver a utilizar la silla de ruedas.

IV. ADVERTENCIAS

G. Descender Escaleras

NOTA: Al descender escaleras, el usuario debe estar mirando hacia adelante.

- Una persona detrás del usuario, con suficiente fuerza y capacidad de manejar el peso del usuario y de la silla de ruedas, basculará la silla hacia atrás, descendiendo un escalón a la vez sobre las ruedas posteriores.
- Esto podría requerir retirar los tubos anti-vuelcos. Asegúrese de que los anti-vuelcos están nuevamente colocados antes de volver a utilizar la silla de ruedas.

H. Transferencias

ADVERTENCIA

ADVERTENCIA: Reciba entrenamiento y asegúrese de poder realizar transferencias por sus propios medios, o haga que una persona le ayude. Es peligroso transferirse sin asistencia, pues se requiere un buen balance y agilidad. Existe un momento durante toda transferencia cuando el asiento de la silla no se halla debajo de usted. Una transferencia realizada de manera inapropiada podría resultar en una caída, que ocasionaría lesiones severas o muerte.

Una transferencia requiere buen balance y estabilidad. Usted debería ser entrenado por un terapeuta antes de intentar realizar una transferencia por sus propios medios.

NOTA: Antes de transferirse fuera de la silla, deberá tomar todas las precauciones para reducir el espacio entre las dos superficies.

- Coloque los frenos para bloquear las ruedas posteriores.
- Rote los casters hacia adelante para aumentar la base de apoyo de las ruedas.
- Retire o deslice los apoyapiés hacia el costado.
- Solicite ayuda, a menos que usted posea suficiente experiencia en transferencias.

I. Su Silla de Ruedas y el Entorno

PRECAUCIÓN

PRECAUCIÓN: La exposición al agua o humedad excesiva podría causar corrosión u óxido de los metales y rotura de los tapizados. Secar la silla lo antes posible luego de ser expuesta al agua.

- **NO UTILICE LA SILLA EN LA DUCHA, PISCINA O CUALQUIER CUERPO DE AGUA.** Esto causará óxido o corrosión en su silla, y ésta eventualmente fallará.
- No opere su silla sobre arena. La arena se introduce en los rulemanes y partes móviles, causando daños y eventuales fallas de la silla.
- Asegúrese de que cualquier rampa, inclinación u obstáculo cumple con las guías ADA. Atravesar, subir o bajar de una inclinación demasiado pronunciada podría causar pérdida de estabilidad.

Vea la Guía ADA y más información sobre diseños accesibles en: <http://www.ada.gov/>

IV. ADVERTENCIAS

J. Modificar su Silla de Ruedas

PRECAUSIÓN

PRECAUSIÓN: Su silla de ruedas fue diseñada y fabricada bajo estrictos controles. Una parte integral de este proceso es asegurar que los diferentes componentes funcionan juntos correctamente; ellos han sido testeados a diferentes estándares para asegurar su calidad y la aprobación de funcionar juntos.

NINGUNA PERSONA DEBERIA MODIFICAR ESTA SILLA DE RUEDAS EXCEPTO PARA AJUSTARLA DE ACUERDO CON ESTE MANUAL, O PARA AGREGAR OPCIONES APROBADAS POR KI MOBILITY. NO EXISTEN OPCIONES APROBADAS QUE INVOLUCREN PERFORAR O CORTAR EL CUADRO POR NINGUNA PERSONA, A MENOS QUE SEA UN ASOCIADO ENTRENADO DE KI MOBILITY. Contacte a Ki Mobility o a un proveedor autorizado de Ki Mobility antes de agregar cualquier accesorio o componentes no aprobados por Ki Mobility.

K. Estabilidad de la Silla de Ruedas

ADVERTENCIA

ADVERTENCIA: Esta silla está equipada con un Sistema para variar el ángulo de basculación del cuadro del asiento. Asegure que la silla es estable a través del rango de modificación del ángulo de basculación antes de utilizarla, para evitar inestabilidad y la posibilidad de vuelcos. Un vuelco podría resultar en daños a la silla y lesiones severas o muerte.

NOTA: El seteo de la silla debería ser realizado únicamente por un técnico calificado.

- Durante el seteo, incluya cualquier accesorio de uso diario.
- La silla debería ser reajustada con los cambios en su peso y en su manera de sentarse.
- Utilice anti-vuelcos mientras se adapta a los cambios en el seteo de su silla.

Para obtener la correcta estabilidad de su silla, usted debe asegurar que el centro de gravedad y la base de apoyo de la silla son los correctos para su balance y capacidades. Muchos factores pueden afectar estos dos elementos:

- Altura de asiento
- Profundidad de asiento
- Ángulo del espaldar
- Angulo de asiento
- Tamaño y posición de ruedas posteriores
- Tamaño y posición de casters anteriores
- Cualquier componente del Sistema sedente

Generalmente, el factor más importante para la estabilidad posterior es la posición de las ruedas posteriores. Existen otras acciones que pueden tener un efecto adverso en su estabilidad. Usted debería consultar con su proveedor y profesional medico familiarizado con sus necesidades y capacidades, para determinar cómo afectan su uso.

ADVERTENCIA

ADVERTENCIA: Tenga cuidado al cambiar su peso en la silla, agregar pesos o realizar modificaciones. Los cambios en su centro de gravedad podrían afectar la estabilidad de su silla, lo cual podría resultar en vuelcos o caídas. Un vuelco o caída podría resultar en daños a su silla o lesiones severas o muerte a usted o terceros. Los cambios en su Centro de Gravedad durante las actividades cotidianas - vestirse, portar o alcanzar objetos, propulsarse en una pendiente - podrían suceder muchas veces en el día. Usted debe conocer estas actividades y tomar precauciones para minimizar el riesgo de caídas, por ejemplo, utilizar los anti-vuelcos.

IV. ADVERTENCIAS

K. Estabilidad de la Silla de Ruedas (Continuación)

ADVERTENCIA

ADVERTENCIA: Intentar hacer un "willy" para montar un obstáculo es una maniobra peligrosa. No intente realizar un "willy" a menos que haya recibido entrenamiento. Esta maniobra podría provocar una caída. Una caída podría resultar en lesiones severas o muerte.

Algunas estrategias para minimizar el riesgo de caídas:

- Asegure que los anti-vuelcos se hallan en su sitio e incline su cuerpo hacia adelante.
- Tenga un asistente detrás para proveer asistencia.

L. Asientos Post-Venta

ADVERTENCIA

ADVERTENCIA: La instalación de un cojín en su silla podría afectar el centro de gravedad de la misma. Los cambios en el centro de gravedad podrían afectar la estabilidad en su silla, resultando en vuelcos o caídas, que podrían ocasionar lesiones severas. Siempre revise las instrucciones de uso de su silla para verificar la necesidad de realizar cambios que provean suficiente estabilidad luego de agregar un cojín.

- La integridad de su piel puede ser afectada por muchos aspectos de la vida diaria y su condición médica, incluyendo el uso de este producto. Asegúrese de seguir cualquier régimen de cuidado de la piel establecido por su médico. Los usuarios de este producto deben asegurar que su piel es inspeccionada regularmente, según indicaciones médicas. El no hacer esto podría resultar en lesiones severas o muerte.

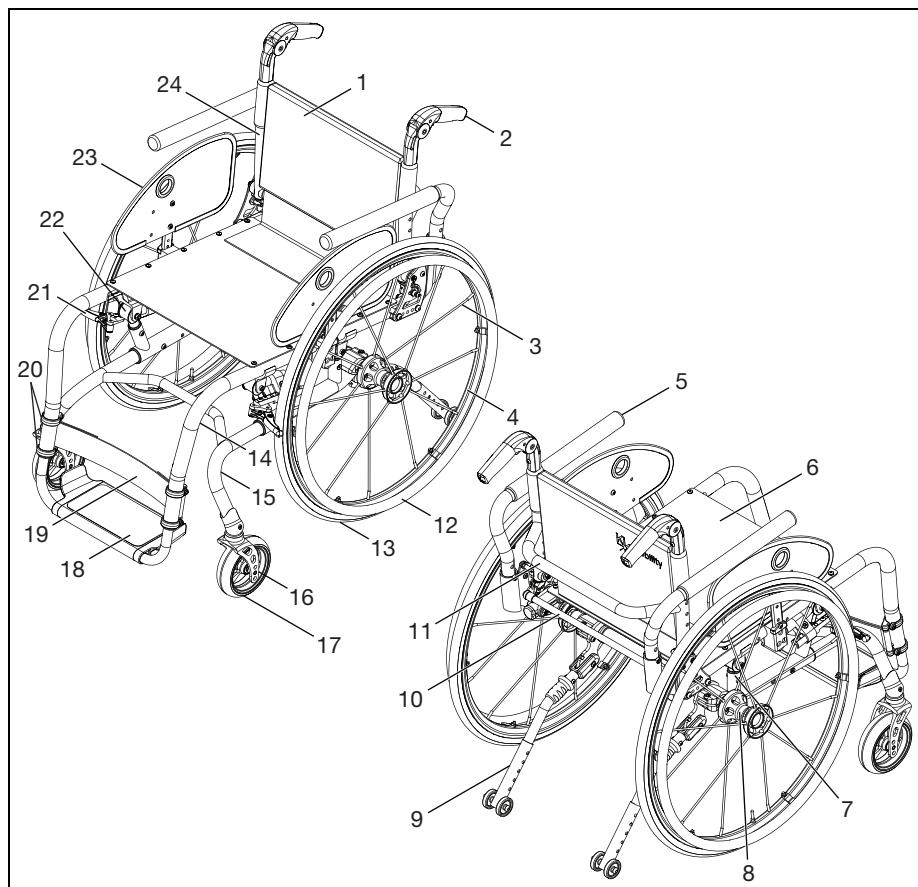
Seleccionar el Producto de Sedestación Adecuado

Ki Mobility recomienda consultar con un clínico especializado (medico o terapeuta) entrenado en sedestación y posicionamiento en sillas de ruedas, antes de seleccionar cualquier producto de sedestación y posicionamiento. Esto ayudará a asegurar que usted recibe el producto adecuado para sus necesidades específicas.

V. SETEO & USO DE SU SILLA DE RUEDAS

A. Su Ethos & Sus Partes

1. Inspeccione y mantenga esta silla. Ver Mantenimiento en página 60.
2. Si usted detecta un problema, contacte inmediatamente a su proveedor autorizado.
3. Haga realizar una inspección completa, verificación de seguridad y mantenimiento anualmente, por un proveedor autorizado.



- | | | |
|----------------------|--|---|
| 1. Tapizado Espaldar | 9. Anti-Tip | 17. Rueda Caster |
| 2. Manija de Empuje | 10. Release Bar | 18. Apoyapiés |
| 3. Rayos | 11. Barra Estabilizadora | 19. Pantorrillera |
| 4. Aro de Rueda | 12. Aro de Propulsión | 20. Montaje de Pantorrillera |
| 5. Apoyabrazos | 13. Rueda | 21. Freno de Rueda |
| 6. Tapiz. Asiento | 14. Cuadro de Asiento | 22. Sistema de Elastomero Inteligente (SEI) |
| 7. Torre ISO | 15. Cuadro Base (Cuadro base anterior + cuadro base posterior) | 23. Protector Lateral |
| 8. Centro Rueda | 16. Horquilla de Caster | 24. Tubo de Espaldar |

V. SETEO & USO DE SU SILLA DE RUEDAS

B. Uso en Vehículos

ADVERTENCIA

ADVERTENCIA: Nunca utilice esta silla de ruedas como asiento en un vehículo motorizado, a menos que ésta haya sido equipada con la Opción para Vehículos. Lo más seguro es transferirse fuera de la silla de ruedas al asiento de un vehículo motorizado con cinturones de seguridad. Utilizar esta silla - si no está equipada con la Opción para Vehículos - como asiento en un vehículo motorizado podría resultar en lesiones severas o muerte.

La silla equipada con la Opción para Vehículos ha sido testeada y aprobado RESNA WC 4:2012, Sección 19; Sillas de ruedas utilizadas como asientos en vehículos motorizados e ISO 7176-19; 2008 Sillas de Ruedas - Parte 19; dispositivos de movilidad con ruedas para uso como asientos en vehículos motorizados. Los estándares RESNA e ISO está diseñados para testear la integridad estructural de la silla de ruedas como asiento para su uso en vehículos motorizados. Estos estándares también están diseñados para crear compatibilidad con los Sistemas de Amarre y de Restricción de Movimientos del Ocupante (SARMO).

No todas las configuraciones de las sillas de ruedas Ethos son compatibles con la Opción para Vehículos. Ki Mobility está a cargo de la configuración y no ofrece la silla Ethos a menos que posea configuraciones compatibles. Si usted realiza modificaciones en su silla Ethos luego de recibirla, debería contactar a su proveedor o a Ki Mobility para asegurar que es apropiado continuar utilizando la silla como asiento en un vehículo motorizado.

El asiento original y el soporte de espaldar diseñados y testeados como parte de la Opción para Vehículos, podrían haber sido reemplazado por un asiento post-venta. Su proveedor de silla de ruedas le informará si el asiento provisto es equipo original o un reemplazo post-venta. Se debería contar con un Sistema completo de cuadro, asiento, Sistema de Amarre y Restricción de Movimientos del Ocupante y un vehículo motorizado apropiadamente equipado, antes de utilizar una silla Ethos equipada con la Opción para Vehículos como asiento en un vehículo motorizado.

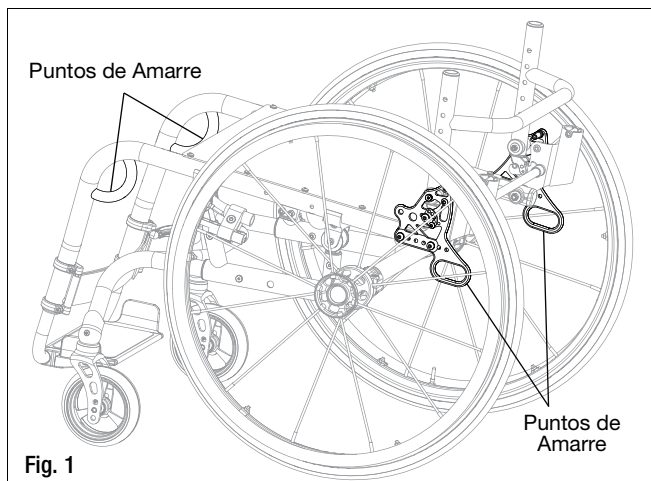
Al utilizar su silla como asiento en un vehículo motorizado, usted debería observar las siguientes instrucciones:

- El usuario debe mirar al frente.
- El usuario y todos los items que transporta deben pesar menos de 275 lbs (125 kg).
- Los morrales y bolsos deberían ser retirados y asegurados separadamente en el vehículo. En caso de un accidente, estos elementos pueden convertirse en proyectiles peligrosos, que podrían lesionar o matar al usuario u otros ocupantes del vehículo.
- El usuario debe utilizar un Sistema de Amarre y Restricción de Movimientos que cumpla con RESNA WC-4:2012, Sección 18: Sistemas de Amarre y Restricción de Movimientos para Sillas de Ruedas para uso en vehículos motorizados o ISO 10542-1:2012 Sistemas Técnicos y Asistivos para personas con capacidades reducidas - Sistemas de Amarre y Restricción de Movimientos -- Parte 1: Requerimientos y métodos de testeo para todos los sistemas.

V. SETEO & USO DE SU SILLA DE RUEDAS

B. Uso en Vehículos (Continuación)

- Fije los amarres a los cuatro puntos indicados (dos anteriores, dos posteriores) en la silla Ethos con Opción para Vehículos (Fig. 1) de acuerdo con las instrucciones del fabricante del Sistema de amarres y RESNA WC-4:2012, Sección 18 o ISO 10542-1:2012 - Parte 1.



- Fije el Sistema de restricción de movimientos del ocupante de acuerdo con las instrucciones del fabricante y RESNA WC-4:2012, Sección 18 o ISO 10542-1:2012, Parte 1.
- Utilice los cinturones de regazo y pecho y arnés de hombros. Ningún otro Sistema de posicionamiento u accesorios debería ser utilizado como restrictor de movimientos del ocupante, a menos que esté etiquetado como tal por el fabricante, de acuerdo con RESNA WC-4:2012, Sección 18 o ISO 10542-1:2012, Parte 1.
- Los cabezales, soportes laterales u otros accesorios de posicionamiento no deberían ser utilizados como restrictores de movimiento del ocupante, a menos que esté etiquetado como tal por el fabricante, de acuerdo con RESNA WC-4:2012, Sección 18 o ISO 10542-1:2012, Parte 1 o RESNA WC-4:2012, Sección 20: Sistemas de sedestación en sillas de ruedas para uso en vehículos motorizados o ISO 16840-4:2009 Asientos de Sillas de Ruedas -- Parte 4: Sistemas de sedestación para uso en vehículos motorizados.
- Luego de ser colocado y ajustado, el tapizado de espaldar en la parte superior del equipo original debería quedar a no más de 4 pulgadas (10.16 cm) de los hombros del usuario.
- Cualquier asiento post-venta debería ser testeado para cumplir con RESNA WC-4:2012, Sección 20 o ISO 16840-4:2009 - Parte 4.
- Coloque el asiento en el cuadro de la silla, de acuerdo con las instrucciones del fabricante y RESNA WC-4:2012, Sección 20 o ISO 16840-4:2009 - Parte 4.
- Los accesorios post-venta como bandejas, tubos de oxígeno y sus soportes, tubos IV, morrales, bolso e items que no hayan sido fabricados por Ki Mobility, deberían ser retirados y asegurados separadamente dentro del vehículo motorizado. En caso de accidente, estos items podrían convertirse en proyectiles peligrosos que pueden lesionar o matar al usuario u otros ocupantes del vehículo.
- Si la silla de ruedas ha estado involucrada en un accidente, usted no debería seguir utilizándola, pues podría haber sufrido fatiga no visible a simple vista.

V. SETEO & USO DE SU SILLA DE RUEDAS

B. Uso en Vehículos (Continuación)

⚠ ADVERTENCIA ⚠

ADVERTENCIA: Retire y asegure cualquier ítem que se hallen temporariamente colocados en su silla, mientras está en un vehículo motorizado. Dejar los ítems fijados a las bandejas de ventilación, bandeja de batería o soporte de tanque de oxígeno en lugar de asegurarlos separadamente en el vehículo, podría hacer que se conviertan en proyectiles peligrosos en caso de accidente. Además, los tanques de oxígeno contienen gas altamente presurizado que acelera vigorosamente la combustión.

- Cuando utilice esta silla como asiento en un vehículo motorizado, deberá retirar cualquier ítem fijado a la bandeja de ventilación, bandeja de baterías, tanque de oxígeno y su soporte, y deberá asegurarlos por separado.
- Si la silla está equipada con un soporte para tanque de oxígeno, nunca utilice la silla como asiento en un vehículo motorizado.

NOTA: Para obtener copias de los estándares RESNA o ISO, por favor contacte a las organizaciones debajo:

RESNA

1700 N Moore St Ste 1540
Arlington, VA 22209
Teléfono: 703-524-6686
Fax: 703-524-6630
Email: technicalstandards@resna.org

ANSI/RESNA Standards:

RESNA WC-4:2012, Sección 18:

Sistemas de Amarre y Restricción de Movimientos para sillas de ruedas, para uso en vehículos motorizados.

RESNA WC-4:2012, Sección 19:

Sillas de ruedas utilizadas como asientos en vehículos motorizados.

RESNA WC-4:2012, Sección 20:

Sistemas de sedestación de sillas de ruedas para uso en vehículos motorizados.

International Organization for Standardization (ISO)

BIBC II

Chemin de Blandonnet 8

CP 401

1214 Vernier, Geneva

Switzerland

Teléfono: +41 22 749 01 11

Fax: +41 22 733 34 30

Email: central@iso.org

ISO Standards:

ISO 10542-1:2012 Sistemas técnicos y asistenciales para personas con capacidades reducidas -

Sistemas de Amarre y Restricción de Movimientos del Ocupante -- Parte 1:

Requisitos y sistemas de testeo para todos los sistemas.

ISO 16840-4:2009 Asientos de Sillas de Ruedas – Parte 4:

Sistemas de sedestación para uso en vehículos motorizados.

ISO 7176-19:2008 Sillas de Ruedas – Parte 19:

Dispositivos de movilidad con ruedas para uso como asientos en vehículos motorizados.

V. SETEO & USO DE SU SILLA DE RUEDAS

C. Brazo-T con Altura Ajustable

1. Instalación

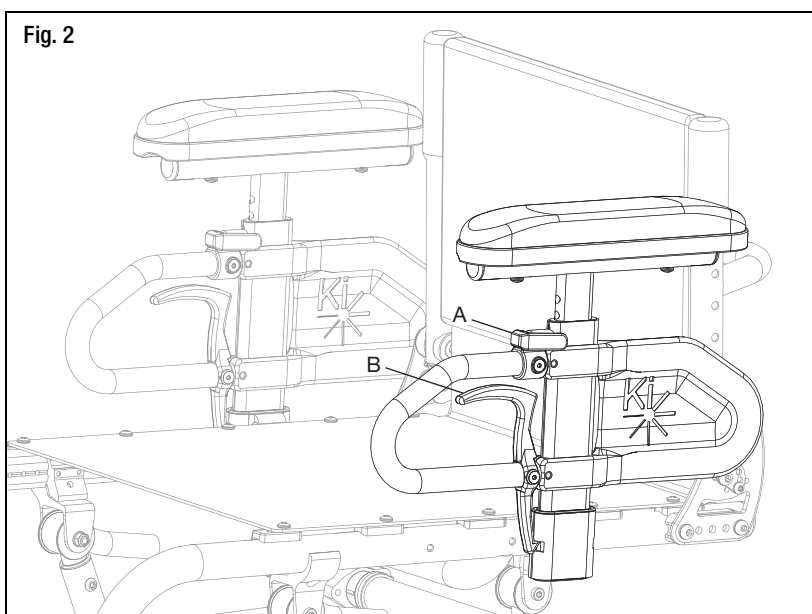
- Deslice el tubo externo del apoyabrazos dentro del receptor montado en el cuadro de la silla.
- El apoyabrazos se fijará automáticamente en su sitio. Verifique que la palanca de bloqueo está como muestra la (Fig. 2:B).

2. Ajuste de Altura

- Rote la palanca de expulsión (Fig. 2:A).
- Deslice la almohadilla del apoyabrazos hacia arriba o abajo hasta la altura deseada.
- Regrese la palanca a la posición de bloqueo contra el poste del apoyabrazos.
- Empuje la almohadilla hasta que el apoyabrazos se fije firmemente en su sitio. Verifique que la palanca está como muestra la (Fig. 2:A).

3. Retirar el Apoyabrazos

- Presione la palanca de expulsión (Fig. 2:B) y retire el apoyabrazos.



V. SETEO & USO DE SU SILLA DE RUEDAS

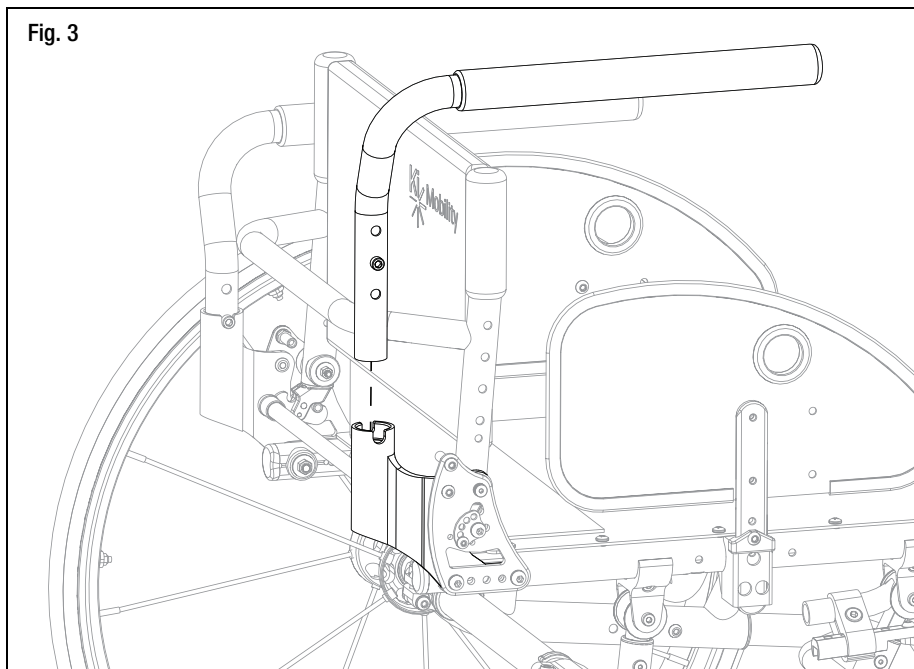
D. Apoyabrazos Swing Away

⚠ ADVERTENCIA ⚠

ADVERTENCIA: Estos apoyabrazos ofrecen solamente un bloqueo contra la rotación y están diseñados para soportar fuerza sólo descendente. Pueden retirarse completamente halándolos hacia arriba. No pueden ser utilizados para levantar o arrastrar la silla. El no cumplir con estas instrucciones podría desconectar el apoyabrazos de la silla accidentalmente y resultar en caída o pérdida de control, resultando en lesiones severas o muerte.

1. Instalación (Fig. 3)
 - a. Deslice el apoyabrazos dentro del tubo del receptor montado en el lateral posterior del cuadro.
2. Swing Away
 - a. Levante ligeramente el apoyabrazos para que se libere del tornillo del receptor. Rótelo fuera de la silla.
3. Retirar Apoyabrazos
 - a. Levante el apoyabrazos fuera del receptor.

Fig. 3



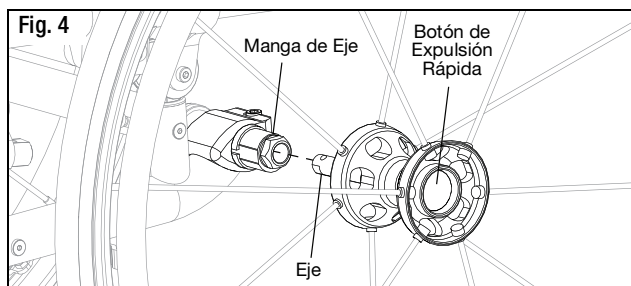
V. SETEO & USO DE SU SILLA DE RUEDAS

E. Ruedas Posteriores

⚠ ADVERTENCIA ⚠

ADVERTENCIA: Antes de operar la silla, asegure que el botón de las ruedas está completamente extendido y las esferas de bloqueo en su interior totalmente encastradas. El no hacerlo podría hacer que la rueda se desprenda de la silla, resultando caída o vuelco. Una caída o vuelco podría resultar en lesiones severas o muerte al usuario o terceros.

1. Instalar Ruedas (Fig. 4)
 - a. Presione el botón de expulsión rápida en el eje para permitir que las esferas de bloqueo se retraigan. Note la diferencia entre la posición extendida y deprimida del botón de expulsión del eje y su efecto en las esferas de bloqueo al otro extremo del eje.
 - b. Inserte el eje dentro del rulemán en la rueda, si está separado.
 - c. Presione el botón de expulsión rápida nuevamente y deslice el eje dentro de la manga.
 - d. Suelte el botón para bloquear el eje en la manga. Si el botón no se extiende totalmente y las esferas de bloqueo no se mueven dentro de la posición de bloqueo luego de soltar el botón, deberá ajustar el largo del eje.

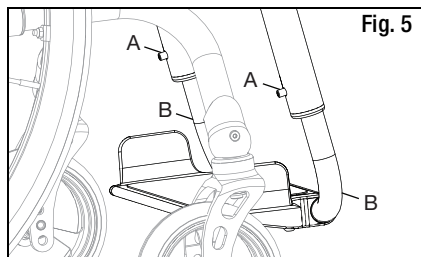


2. Retirar Ruedas
 - a. Sostenga la rueda cerca del centro y presione el botón en el extremo exterior del eje.
 - b. Mientras sostiene presionado el botón, hale de la rueda y del eje fuera de la manga.

F. Ajustar el Apoyapies

Ajustar la Altura de su Apoyapies

1. Localice el tornillo a cada lado del cuadro (Fig. 5:A).
2. Afloje los tornillos a cada lado del cuadro con una llave Allen de 3mm. No los quite aún.
3. Ajuste el tubo del apoyapies hacia arriba o abajo hasta la altura deseada (Fig. 5:B).
4. Asegure que ambos lados quedan ajustados a la misma altura. Vuelva a ajustar los tornillos a 40 in./lbs (4.52 N*m).

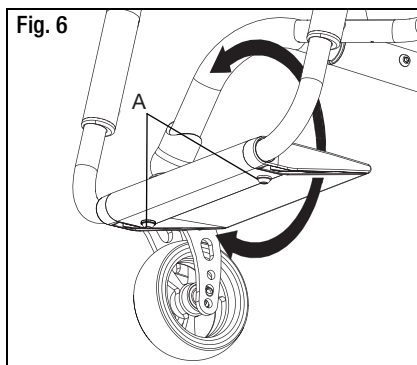


V. SETEO & USO DE SU SILLA DE RUEDAS

G. Apoyapies Dinámico Opcional

Ajuste del ángulo de su apoyapies

1. Afloje ambos tornillos (Fig. 6:A) en el extremo inferior del apoyapies con una llave Allen de 4mm.
2. Rote el apoyapies al ángulo deseado y ajuste nuevamente los tornillos.



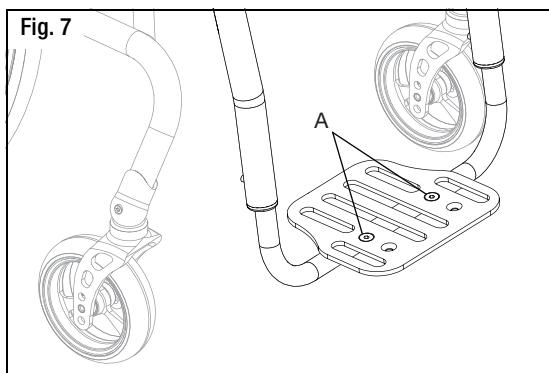
H. Apoyapies con Angulo Ajustable Opcional

Para ajustar el ángulo del apoyapies con ángulo ajustable:

1. Afloje pero no retire los dos tornillos M6 (Fig. 7:A) asegurando el apoyapies a la abrazadera del apoyapies con una llave Allen de 4mm.
2. El apoyapies rotará fácilmente alrededor del tubo de extensión.
3. Seleccione la posición deseada y vuelva a ajustar los dos tornillos (Fig. 7:A) a 80 in./lbs (9.04 N*m).

Cambiar la posición del apoyapies opcional en aluminio con flip-up:

1. Retire ambos tornillos M6 del apoyapies. Hay tuercas M6 inmersas en la parte de abajo de la abrazadera. Evite que éstas caigan cuando afloje los tornillos.
2. Vuelva a colocar el apoyapies una vez que los tornillos están flojos, rotándolo hacia adelante o atrás, dependiendo del ángulo deseado. Una vez lograda la posición deseada, inserte los tornillos en los orificios correspondientes.
3. Ajuste las tuercas dentro de la ranura debajo de la abrazadera y ajuste los tornillos.

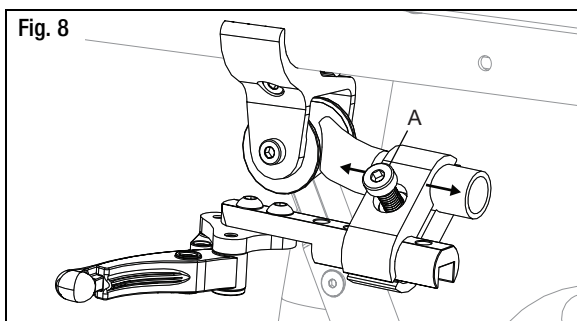


V. SETEO & USO DE SU SILLA DE RUEDAS

I. Frenos de Ruedas

1. Ajustar los Frenos de Ruedas

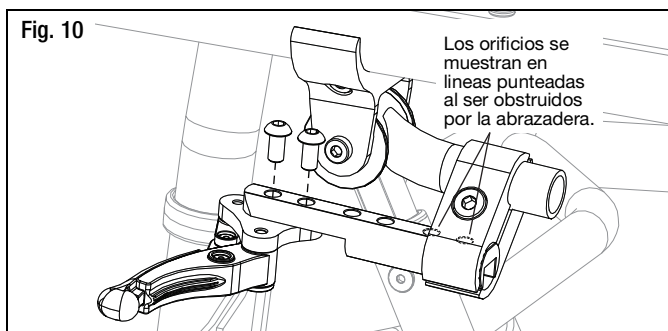
- Afije el tornillo de la abrazadera con una llave Allen de 6mm (Fig. 8:A).
- Deslice el ensamble de freno de rueda a lo largo del tubo de montaje.
- Ajuste el tornillo de la abrazadera con una llave Allen de 6mm.



- Siempre verifique la posición del freno de rueda antes de utilizarlo. El freno de rueda debería hundirse aproximadamente 1/8" en la llanta al frenar o en posición de bloqueo (Fig. 9).



NOTA: Usted puede mover el brazo del freno de rueda a lo largo de diferentes orificios en la barra de freno de la rueda. Retire los dos tornillos con una llave Allen de 4mm, fije la nueva posición y vuelva a colocar y ajustar los tornillos (Fig. 10).



V. SETEO & USO DE SU SILLA DE RUEDAS

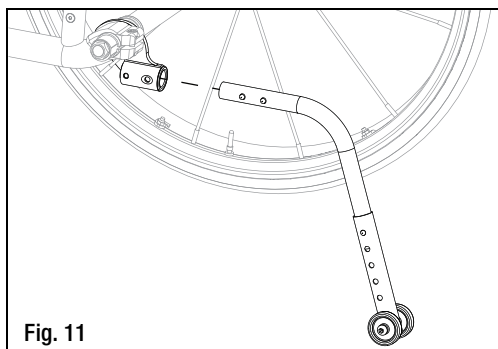
J. Anti-Vuelcos

Los tubos anti-vuelcos evitan que su silla vuelque hacia atrás. Cuando son ajustados correctamente, proveen un aumento significativo en la estabilidad posterior. Su estabilidad puede ser afectada al atravesar terrenos desparejos, una rampa, pendiente u otra superficie que modifique su relación con la gravedad. Su estabilidad también puede ser afectada por otras fuerzas que actúan sobre usted y su silla, como alguien que empuja hacia abajo o se apoya en las manijas de empuje u otras partes de la silla. Esto puede sucederle al usuario más experimentado. Las personas en su entorno no necesariamente entienden el impacto que tienen sobre su estabilidad.

Anti-Vuelcos Estándar

1. Instalar Anti-Vuelcos Estándar (Fig. 11)

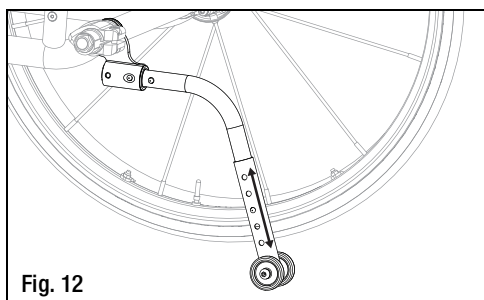
- Presione el vástago de expulsión en el tubo anti-vuelcos para que ambos vástagos se inserten en él.
- Inserte el tubo anti-vuelcos dentro del receptor montado en el tubo curvo.
- Gire el tubo anti-vuelcos hacia abajo hasta que el vástago de expulsión esté posicionado a través del orificio de montaje del receptor.
- Inserte el Segundo tubo anti-vuelcos de la misma manera.



2. Ajustar la Altura de la Extensión de Rueda (Fig. 12)

Usted podría necesitar levantar o bajar las ruedas de los tubos anti-vuelcos para obtener la distancia correcta de 1 1/2" a 2" (3.81 a 5.08 cm).

- Presione el vástago de expulsión de la rueda del anti-vuelcos para que se inserte en el tubo.
- Levante o baje hasta el orificio deseado.
- Suelte el vástago.
- Ajuste la rueda del Segundo tubo anti-vuelcos de la misma manera. Ambas ruedas deberían quedar a la misma altura.



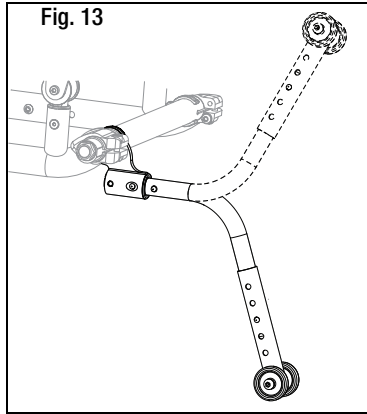
V. SETEO & USO DE SU SILLA DE RUEDAS

J. Anti-Vuelcos (Continuación)

3. Girar los Tubos Anti-Vuelcos hacia arriba (Fig. 13)

Gire los tubos anti-vuelcos hacia arriba cuando un asistente lo empuje, también al montar un obstáculo o un cordón de acera.

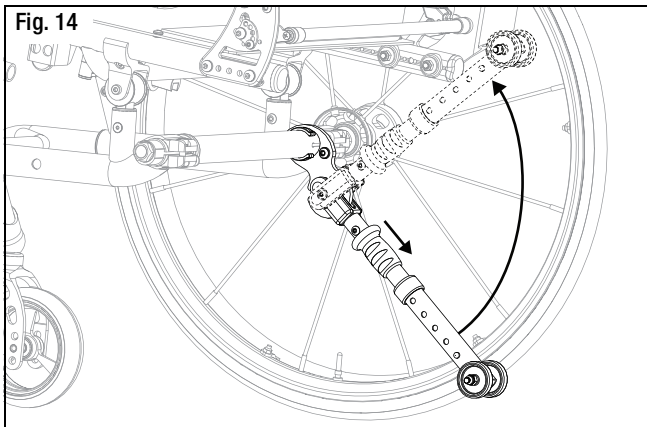
- Presione el vástago de expulsión del tubo anti-vuelcos.
- Sostenga el vástago presionado y gire el tubo hacia arriba.
- Suelte el vástago.
- Repita esta operación en el otro tubo anti-vuelcos.
- Recuerde volver a colocar los tubos anti-vuelcos hacia abajo una vez terminada la maniobra.



Anti-Vuelcos activados por el usuario

1. Girar los tubos anti-vuelcos hacia arriba (Fig. 14)

- Presione el vástago de expulsión del anti-vuelcos para que se inserte en el tubo.
- Levante o baje hasta el orificio deseado.
- Suelte el vástago.
- Ajuste el Segundo anti-vuelcos de la misma manera Ambas ruedas deberían quedar a la misma altura.



V. SETEO & USO DE SU SILLA DE RUEDAS

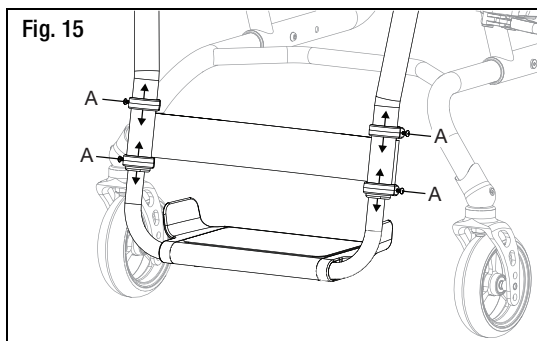
K. Tela de Tapizado

1. Usted debe reemplazar el tapizado del asiento y del espaldar inmediatamente cuando se vea gastado. De no hacerlo, el asiento o el espaldar podrían fallar.
2. La tela del asiento se aflojará con el tiempo. Verifique la existencia de desgastes, pequeños orificios o estiramientos, especialmente en los bordes y costuras. Haga esto semanalmente.
3. Las repetidas transferencias a su silla debilitarán la tela del asiento y esto hace necesario inspeccionarla y reemplazarla más a menudo.
4. Tenga en cuenta que los lavados o la humedad excesiva pueden reducir la propiedad ignífuga de la tela.
5. Contacte a su proveedor si tiene dudas sobre el asiento o el espaldar, o cree que debería reemplazarlos.

L. Montaje de Pantorrilleras

Ajustar la Altura del Montaje de Pantorrilleras

1. Afloje los cuatro tornillos (Fig. 15:A) en el montaje de pantorrilleras con un destornillador Phillips.
2. Mueva el montaje de pantorrilleras hacia arriba o abajo a la altura deseada y vuelva a ajustar los cuatro tornillos (Fig. 15:A).

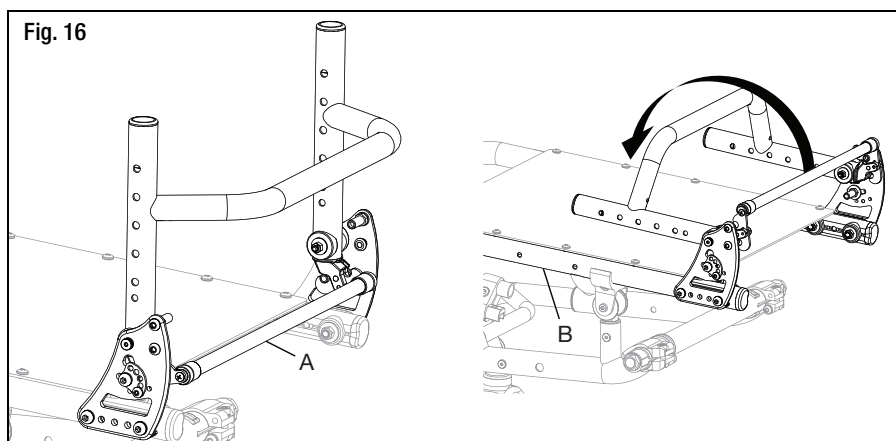


V. SETEO & USO DE SU SILLA DE RUEDAS

M. Espaldar

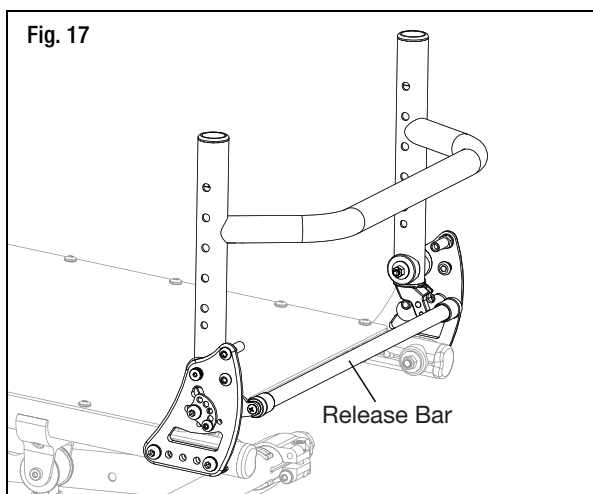
1. Espaldar Plegable

- Levante la barra de rebate del espaldar (Fig. 16:A), ubicada detrás del cuadro del espaldar, para liberar el pestillo y plegar el espaldar hacia abajo, en dirección al cuadro de asiento (Fig 16:B). Para volver a su sitio, hale de la barra de rebate del espaldar hacia afuera y el espaldar podrá ser colocado en posición vertical, ajustándose automáticamente al cuadro.
- Asegure un encastramiento firme de los pestillos, halando el cuadro del espaldar hacia atrás hasta llegar a la posición vertical.



2. Posición de Descanso (Fig. 17)

El espaldar Ethos se abrirá a una posición de descanso. Inclínese ligeramente hacia adelante para quitar el peso de los pestillos y luego hale de la barra de rebate y vuelva a la posición de descanso. Trabe el espaldar halando los tubos posteriores hacia adelante, hasta que se encastran con un click.



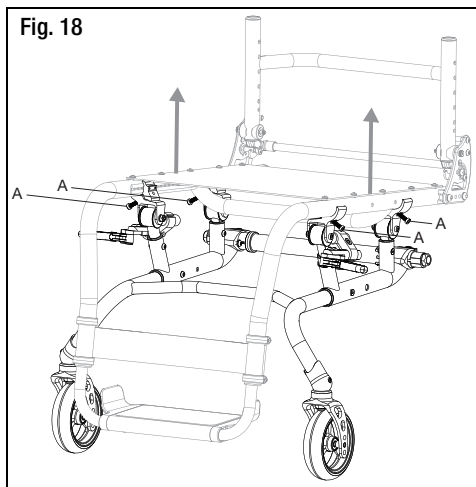
V. SETEO & USO DE SU SILLA DE RUEDAS

N. Cambiar Elastomeros

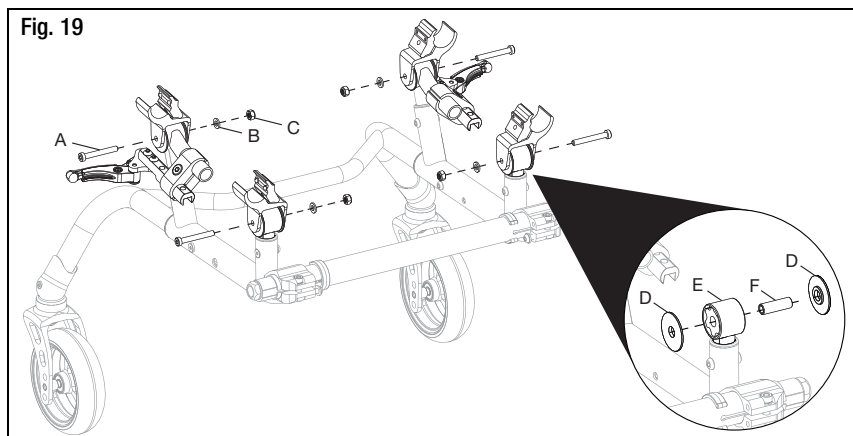
La silla incluye elastomeros en diferentes densidades de lo que fuera configurado en la silla al momento de ordenarla. Ellos permiten optimizar la experiencia de manejo en base a las preferencias del usuario. Para obtener información adicional sobre la selección de los elastomeros y adaptación de su experiencia de manejo, por favor visite la página web de Ethos en www.kimobility.com.

Para modificar o reconfigurar los elastomeros, siga las instrucciones debajo. Se incluye un cuadro para guiar al usuario en la selección del elastomero para sus necesidades.

1. Afloje los cuatro tornillos de las abrazaderas en el cuadro de asiento (Fig. 18:A) con una llave Allen de 5mm hasta que el cuadro de asiento pueda ser retirado del cuadro base.



2. Retire los tornillos (Fig. 19:A), arandela (Fig. 19:B) y tuerca (Fig. 19:C) de cada abrazadera en el cuadro de asiento con una llave Allen de 4mm y una llave de 10mm. Cuando retire las abrazaderas, retire las dos arandelas (Fig. 19:D) e inserte (Fig. 19:F) en el elastomero (Fig. 19:E).

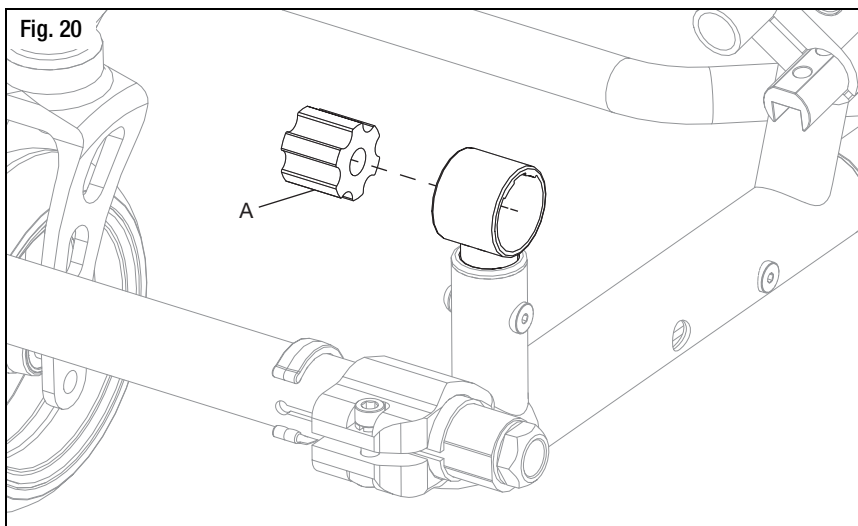


V. SETEO & USO DE SU SILLA DE RUEDAS

N. Cambiar Elastomeros (Continuación)

3. Empuje los elastomeros (Fig. 20:A) que está reemplazando fuera de la torre y coloque los nuevos. Asegure que los bordes del elastomero se alineen con la ranura dentro de la torre. Vea el cuadro debajo para determinar el tipo de elastomero de acuerdo al andar deseado, estándar o firme, en base al peso del usuario y centro de gravedad de la silla. El número de parte del elastomero y su color son mencionados en el cuadro. Ver Fig. 20.

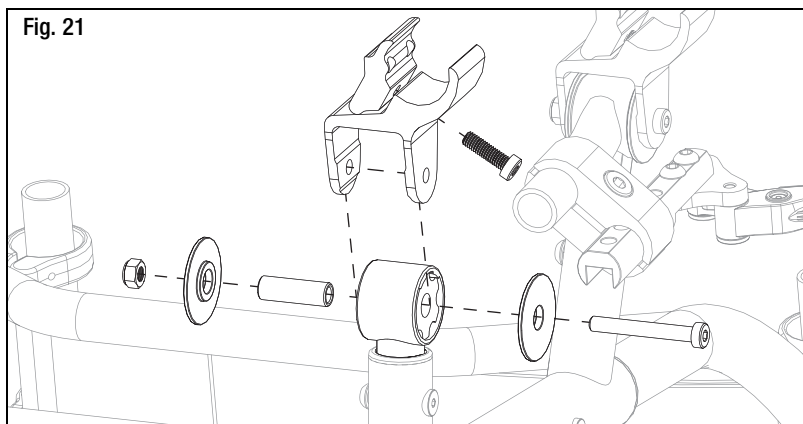
Seteo Estandar				
Peso del Usuario	Centro de Gravedad			
	-1.5 to 1	1.25 to 2	2.25 to 3	3.25 to 4.25
100-120 lb (45-54 kg)	003860 (AZUL)	003860 (AZUL)	003859 (ROJO)	003859 (ROJO)
121-165 lb (55-75 kg)	004544 (NEGRO)	004544 (NEGRO)	003860 (AZUL)	003860 (AZUL)
166-209 lb (75-95 kg)	004545 (VERDE)	004545 (VERDE)	004544 (NEGRO)	004544 (NEGRO)
210-275 lb (95-125 kg)	004545 (VERDE)	004545 (VERDE)	004544 (NEGRO)	004544 (NEGRO)
Seteo Firme				
Peso del Usuario	Centro de Gravedad			
	-1.5 to 1	1.25 to 2	2.25 to 3	3.25 to 4.25
100-120 lb (45-54 kg)	004544 (NEGRO)	004544 (NEGRO)	003860 (AZUL)	003860 (AZUL)
121-165 lb (55-75 kg)	004545 (VERDE)	004545 (VERDE)	004544 (NEGRO)	004544 (NEGRO)
166-209 lb (75-95 kg)	004545 (VERDE)	004545 (VERDE)	004545 (VERDE)	004545 (VERDE)
210-275 lb (95-125 kg)	004545 (VERDE)	004545 (VERDE)	004545 (VERDE)	004545 (VERDE)



V. SETEO & USO DE SU SILLA DE RUEDAS

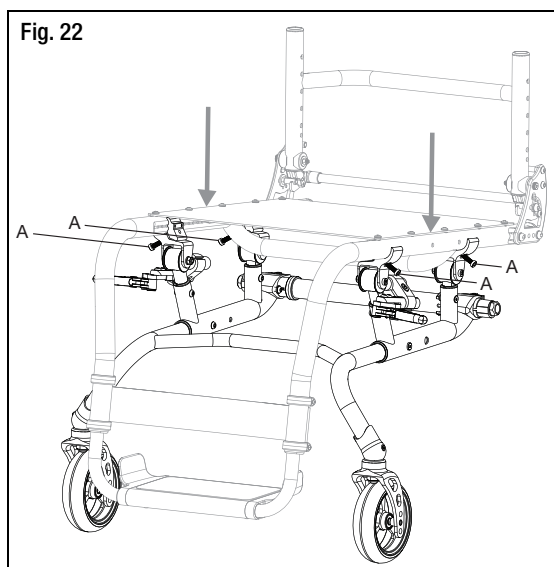
N. Cambiar Elastomeros (Continuación)

4. Vuelva a instalar la abrazadera del cuadro de asiento con tornillo y dos arandelas, inserte la tuerca con una llave Allen de 4mm y una llave de 10mm. Instale el tornillo en la abrazadera del cuadro de asiento y déjelo sin ajustar para que el cuadro de asiento pueda ser instalado. Repita en los otros elastomeros reemplazados (Fig. 21).



5. Setear el ensamblaje del cuadro de asiento sobre las abrazaderas del cuadro de asiento, ajustar a la profundidad de asiento deseada y ajustar los cuatro tornillos (Fig. 22:A) con llave Allen de 4mm. Asegure que los fijadores de las abrazaderas están alineados con las muescas del cuadro cuando ajuste los tornillos.

NOTA: Asegure que el cuadro de asiento está correctamente alineado y fijo antes de sentarse en la silla.



V. SETEO & USO DE SU SILLA DE RUEDAS

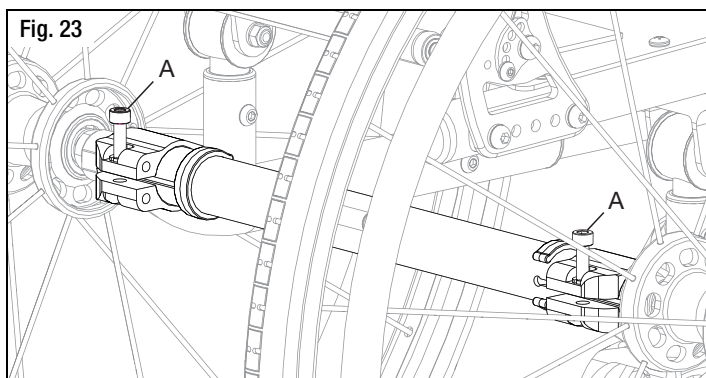
O. Setear la Huella de Rueda a Cero

NOTA: Una silla equipada con una huella de camber de 0° no posee condición "huella hacia adentro" "huella hacia afuera". Este ajuste se requiere solo cuando se utilizan adaptadores de camber de 2° , 4° y 6° .

La huella indica qué tan bien están alineadas las ruedas de la silla con respecto al piso. Esto afecta el rodamiento de la silla. La resistencia al arrastre o al rodado es óptimamente minimizada cuando la huella de la rueda es seteada a cero.

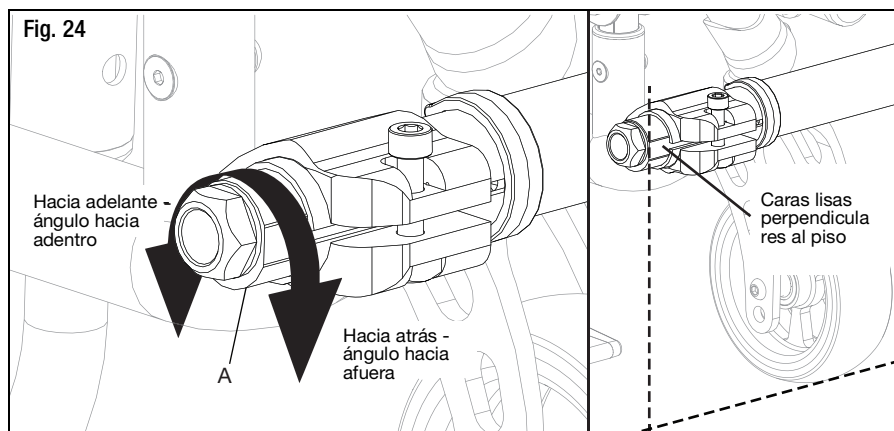
Setear Huella a Cero:

1. Afloje los dos tornillos (Fig. 23:A) en la abrazadera camber con una llave Allen de 5mm. No permita que la tuerca cuadrada se caiga.



2. Retire las ruedas.
3. Rote el tubo camber (Fig. 24:A) hacia adelante si desea que el ángulo de la rueda esté hacia adentro. Rote el tubo camber hacia atrás si desea que el ángulo de las ruedas esté hacia afuera.

NOTA: Las caras planas del tubo camber deberían quedar perpendiculares al piso Fig. 24.



4. Vuelva a instalar las ruedas. Asegure que el tubo camber se halla seteado en la misma posición a izquierda y derecha. Ajuste ambos tornillos en la abrazadera del tubo camber.

V. SETEO & USO DE SU SILLA DE RUEDAS

P. Instalar Cojín

- a. La silla Ethos fue diseñada para ser utilizada con un cojín apropiado para silla de ruedas.

ADVERTENCIA

ADVERTENCIA: Evite sentarse por largos períodos de tiempo sin un cojín apropiado para sillas de ruedas. Esto podría causar úlceras de presión, que resultarían en infecciones severas y muerte.

ADVERTENCIA

ADVERTENCIA: Fije el cojín antes de utilizarlo o transferirse. El no asegurar el cojín podría hacer que se deslice fuera de la silla durante transferencias, resultando en caída o pérdida de control. Una caída o pérdida de control podría resultar en daños a la silla o lesiones severas o muerte al usuario o terceros.

- b. El tapizado del asiento posee correas de sujeción tipo Velcro. Los cojines a utilizar deberían poseer sujetadores tipo Velcro que se acoplen a la tela del asiento y eviten que el cojín se deslice debajo del usuario. Asegure que el cojín está firmemente sujeto antes de transferirse o sentarse en la silla.
- c. Su silla podrían no tener una tela de asiento estándar. Verifique con su proveedor si la silla cuenta con un asiento post-venta que reemplace al equipo original. De ser así, asegúrese de seguir las instrucciones de uso provistas por el fabricante del asiento post-venta.

VI. MANTENIMIENTO

A. Inspeccionar Su Silla de Ruedas

El mantenimiento regular prolongará la vida útil de su silla de rueda y mejorará su desempeño. Las reparaciones y reemplazo de partes en su silla deberían ser realizados por un técnico calificado de un proveedor de Ki Mobility autorizado.

1. Inspecciones Generales:

- a. Limpie su silla por lo menos una vez al mes. Usted debería limpiarla con más frecuencia si la opera en entornos poco limpios, como su ambiente de trabajo.
- b. Verifique que todos los tornillos están ajustados. A menos que se indique lo contrario, los tornillos deberían estar ajustados a 40 in./lbs (4.51 N*m).

PRECAUCIÓN

PRECAUCIÓN: Reemplace las llantas gastadas. Los frenos de ruedas podrían no funcionar apropiadamente en llantas lisas o gastadas, provocando el movimiento no intencional de la silla en una pendiente.

- c. Verifique llantas y casters:
 - Verifique desgastes en las llantas. Reemplace las llantas si tienen puntos lisos, rajaduras visibles o si la huella está gastada.
 - Si las llantas sin inflables con válvula, verifique la presión con lo indicado en la cara externa de la llanta.
- d. Verifique que los rayos en las ruedas no están flojos.
- e. Verifique los frenos de ruedas. A medida que las llantas se desgastan, usted deberá ajustar los frenos. Ver Sección I. Frenos de Ruedas.

VI. MANTENIMIENTO

B. Mantenimiento de Rutina

1. Semanalmente:

- a. Verifique los frenos de ruedas para asegurar que están ajustados correctamente.
- b. Verifique las mangas de ejes para asegurar que las tuercas están ajustadas.
- c. Verifique la presencia de rayos flojos o rotos.
- d. Verifique que los casters giran libremente.
- e. Inspeccione llantas y casters por puntos de desgaste.
- f. Verifique que las llantas neumáticas están infladas apropiadamente.
- g. Asegure que las empuñaduras no rotan o se salen de las manijas de empuje.

2. Mensualmente:

- a. Inspeccione los ejes de ruedas posteriores y ajústelos de ser necesario.
- b. Inspeccione las rulemanes de casters y retire pelusas y cabello.
- c. Inspeccione los frenos de ruedas para asegurar que su ensamble está ajustado. Asegure que los frenos funcionan correctamente sobre las llantas.
- d. Verifique que todos los tornillos están ajustados de manera segura.
- e. Inspeccione el cuadro por deformidades, defectos, grietas, abolladuras o torceduras. Estos podrían ser signo de fatiga del cuadro que podría resultar en una falla de la silla. Deje de utilizar la silla inmediatamente y contacte a su distribuidor autorizado de Ki Mobility.

3. Anualmente:

- a. Haga revisar y ajustar su silla por un técnico calificado.

PRECAUSIÓN

PRECAUSIÓN: En caso de realizar ajustes a su silla, asegúrese de que todos los tornillos están firmemente ajustados.

PRECAUSIÓN

PRECAUSIÓN: No ajuste demasiado los tornillos pues podrían dañar el cuadro.

VI. MANTENIMIENTO

C. Limpieza

1. Ejes y Ruedas:

- a. Limpie alrededor de los ejes y las ruedas SEMANALMENTE con un paño húmedo.
- b. El cabello y las pelusas entrarán en las carcasas de los casters. Desármelas cada seis meses y retire el cabello y pelusas que encuentre allí.

NOTA: No utilice WD-40 u otro aceite penetrante en esta silla. Esto destruirá los rulemanes sellados.

NOTA: No utilice agentes de limpieza químicos en casters o llantas.

D. Almacenamiento

1. Mientras no la utilice, mantenga su silla en un área limpia y seca. El no hacerlo podría provocar óxido o corrosión.
2. Si su silla ha estado almacenada por más de unas pocas semanas, usted debería asegurar que funciona apropiadamente. Inspeccione y realice el mantenimiento - de ser necesario - de todos los ítems en Sección A. Inspeccionar su Silla de Ruedas.
3. Si su silla ha estado almacenada por más de dos meses, debería ser inspeccionada y atendida por su proveedor autorizado antes de utilizarla.

VII. GARANTÍA

Ki Mobility garantiza el cuadro y los ejes de expulsión rápida de esta silla de ruedas contra defectos en sus materiales o mano de obra, durante la vida del comprador original. Cualquier otra parte o componente de esta silla fabricado por Ki Mobility, está garantizado contra defectos en sus materiales y mano de obra por un año, desde la fecha de la primera compra.

Limitaciones de la Garantía

1. Esta garantía no cubre:

- a. Partes que se desgastan: tapizados, llantas, almohadillas de apoyabrazos, tubos apoyabrazos y empuñaduras de manijas de empuje.
- b. Daños resultantes de negligencia, uso incorrecto o inapropiado, instalaciones o reparaciones inapropiadas.
- c. Daños resultantes de exceder el límite de peso.

2. Esta garantía será NULA si la etiqueta original con el número de serie de la silla es removida o adulterada.

3. Esta garantía será NULA si la silla ha sido modificada en su condición original y se determina que estas modificaciones son causa de falla.

4. Esta garantía aplica solamente en los Estados Unidos de América. Verifique con su proveedor por aplicación de garantías internacionales.

Responsabilidad de Ki Mobility

Ki Mobility se responsabiliza solamente por reponer o reparar, a su sola discreción, las partes cubiertas por esta garantía. No existirán otras soluciones, expresas o implícitas.

Responsabilidad del Usuario

- a. Notificar a Ki Mobility, a través de un proveedor autorizado antes de la extinción de esta garantía y obtener una autorización de devolución (AD) para la devolución o reparación de las partes cubiertas en esta garantía.
- b. Hacer que su proveedor envíe la autorización de devolución, con gastos de envío prepagados, a:
Ki Mobility
5201 Woodward Drive
Stevens Point, WI 54481
- c. Cubrir los costos de reparación o instalación de partes.



Ki Mobility
5201 Woodward Drive
Stevens Point, Wisconsin 54481
715-254-0991
www.kimobility.com



DCN0405.0