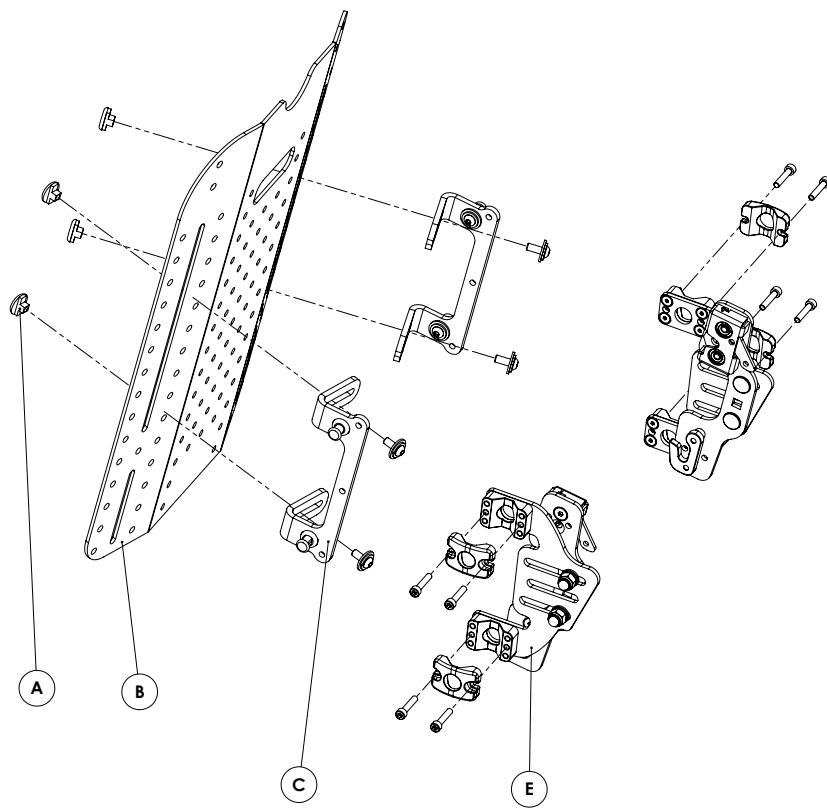


spex

spare parts script & order guide v1U09.2017

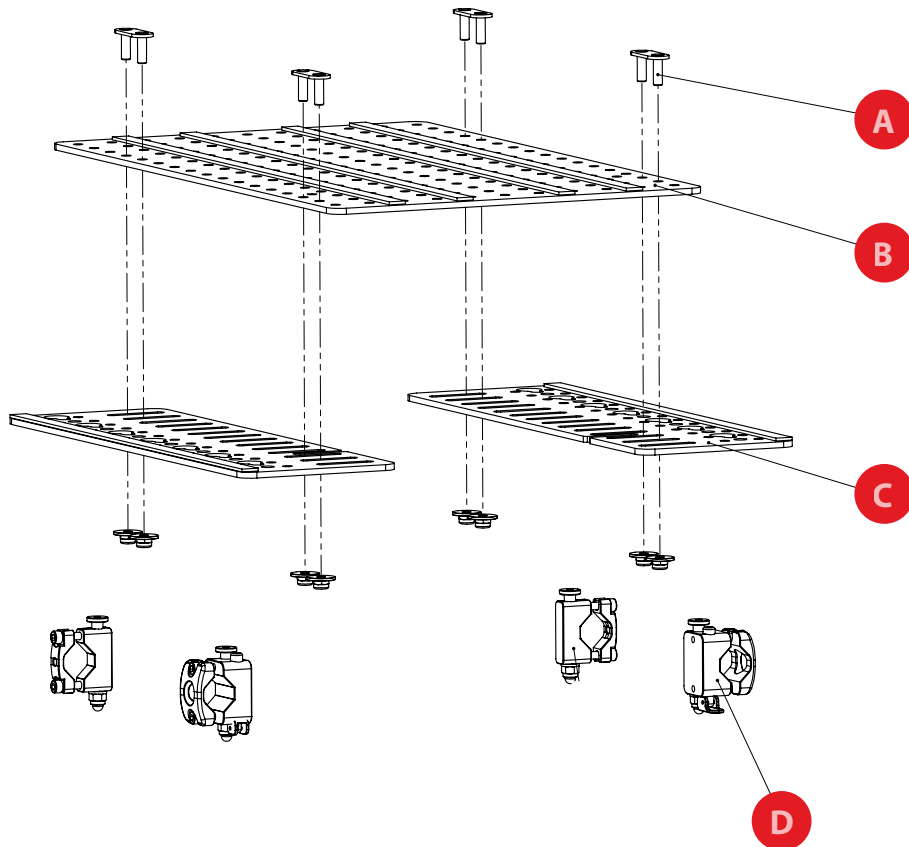


Items listed in blue text are part of the Spex Kidz Range.

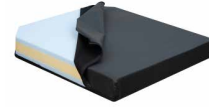
Grid-Base Seat Pan

QTY	#	ITEM CODE	DESCRIPTION	PER
	A	1009-0251-100	Fixing plate	SET 4
	B		Seat pan main plate	EA
			W/C WIDTH DEPTH	
		1009-1012-100	10"/11"	12"
		1009-1212-100	12"/13"	12"
		1009-1214-100	12"/13"	14"
		1009-1414-100	14"/15"	14"
		1009-1416-100	14"/15"	16"
		1009-1616-100	16"/17"	16"
		1009-1618-100	16"/17"	18"
		1009-1818-100	18"/19"	18"
		1009-1820-100	18"/19"	20"
		1009-2020-100	20"/21"	20"

QTY	#	ITEM CODE	DESCRIPTION	PER
	C		Seat pan side wings	SET 2
			DEPTH	
		1009-0010-100	10"	
		1009-0012-100	12"	
		1009-0014-100	14"	
		1009-0016-100	16"	
		1009-0018-100	18"	
		1009-0020-100	20"	
	D	1009-0210-100	Seat pan rail clamps	SET 4



Dualtec Cushion Covers



WIDTH	LENGTH	QTY	OUTER COVER	QTY	SPARE INCON-TINENT COVER	WIDTH	LENGTH	QTY	OUTER COVER	QTY	SPARE INCON-TINENT COVER
10"	10"		1121-1010-600		1131-1010-700	16"	16"		1121-1616-600		1131-1616-700
	12"		1121-1012-600		1131-1012-700		18"		1121-1618-600		1131-1618-700
	XX		1121-10XX-600		1131-10XX-700		XX		1121-16XX-600		1131-16XX-700
11"	10"		1121-1110-600		1131-1110-700	17"	17"		1121-1717-600		1131-1717-700
	12"		1121-1112-600		1131-1112-700		18"		1121-1718-600		1131-1718-700
	XX		1121-11XX-600		1131-11XX-700		XX		1121-17XX-600		1131-17XX-700
12"	12"		1121-1212-600		1131-1212-700	18"	18"		1121-1818-600		1131-1818-700
	14"		1121-1214-600		1131-1214-700		20"		1121-1820-600		1131-1820-700
	XX		1121-12XX-600		1131-12XX-700		XX		1121-18XX-600		1131-18XX-700
13"	12"		1121-1312-600		1131-1312-700	19"	18"		1121-1918-600		1131-1918-700
	14"		1121-1314-600		1131-1314-700		20"		1121-1920-600		1131-1920-700
	XX		1121-13XX-600		1131-13XX-700		XX		1121-19XX-600		1131-19XX-700
14"	14"		1121-1414-600		1131-1414-700	20"	20"		1121-2020-600		1131-2020-700
	16"		1121-1416-600		1131-1416-700		XX		1121-20XX-600		1131-20XX-700
	XX		1121-14XX-600		1131-14XX-700		Upto20	XX	1121-2929-600		1131-2929-700
15"	14"		1121-1514-600		1131-1514-700	Upto25	XX		1121-2939-600		1131-2939-700
	16"		1121-1516-600		1131-1516-700						
	XX		1121-15XX-600		1131-15XX-700						

Vigour Cushion Covers



VIGOUR STANDARD CONTOUR						VIGOUR HIGH CONTOUR				
WIDTH	LENGTH	QTY	SPARE COVER	QTY	INCONT COVER	QTY	SPARE COVER	QTY	INCONT COVER	
10"	10"		1123-1010-6SC		1133-1010-7SC		1123-1010-6HC		1133-1010-7HC	
	12"		1123-1012-6SC		1133-1012-7SC		1123-1012-6HC		1133-1012-7HC	
	XX		1123-10XX-6SC		1133-10XX-7SC		1123-10XX-6HC		1133-10XX-7HC	
11"	10"		1123-1110-6SC		1133-1110-7SC		1123-1110-6HC		1133-1110-7HC	
	12"		1123-1112-6SC		1133-1112-7SC		1123-1112-6HC		1133-1112-7HC	
	XX		1123-11XX-6SC		1133-11XX-7SC		1123-11XX-6HC		1133-11XX-7HC	
12"	12"		1123-1212-6SC		1133-1212-7SC		1123-1212-6HC		1133-1212-7HC	
	14"		1123-1214-6SC		1133-1214-7SC		1123-1214-6HC		1133-1214-7HC	
	XX		1123-12XX-6SC		1133-12XX-7SC		1123-12XX-6HC		1133-12XX-7HC	
13"	12"		1123-1312-6SC		1133-1312-7SC		1123-1312-6HC		1133-1312-7HC	
	14"		1123-1314-6SC		1133-1314-7SC		1123-1314-6HC		1133-1314-7HC	
	XX		1123-13XX-6SC		1133-13XX-7SC		1123-13XX-6HC		1133-13XX-7HC	
14"	14"		1123-1414-6SC		1133-1414-7SC		1123-1414-6HC		1133-1414-7HC	
	16"		1123-1416-6SC		1133-1416-7SC		1123-1416-6HC		1133-1416-7HC	
	XX		1123-14XX-6SC		1133-14XX-7SC		1123-14XX-6HC		1133-14XX-7HC	
15"	14"		1123-1514-6SC		1133-1514-7SC		1123-1514-6HC		1133-1514-7HC	
	16"		1123-1516-6SC		1133-1516-7SC		1123-1516-6HC		1133-1516-7HC	
	XX		1123-15XX-6SC		1133-15XX-7SC		1123-15XX-6HC		1133-15XX-7HC	
16"	16"		1123-1616-6SC		1133-1616-7SC		1123-1616-6HC		1133-1616-7HC	
	18"		1123-1618-6SC		1133-1618-7SC		1123-1618-6HC		1133-1618-7HC	
	XX		1123-16XX-6SC		1133-16XX-7SC		1123-16XX-6HC		1133-16XX-7HC	
17"	17"		1123-1717-6SC		1133-1717-7SC		1123-1717-6HC		1133-1717-7HC	
	18"		1123-1718-6SC		1133-1718-7SC		1123-1718-6HC		1133-1718-7HC	
	XX		1123-17XX-6SC		1133-17XX-7SC		1123-17XX-6HC		1133-17XX-7HC	
18"	18"		1123-1818-6SC		1133-1818-7SC		1123-1818-6HC		1133-1818-7HC	
	20"		1123-1820-6SC		1133-1820-7SC		1123-1820-6HC		1133-1820-7HC	
	XX		1123-18XX-6SC		1133-18XX-7SC		1123-18XX-6HC		1133-18XX-7HC	
19"	18"		1123-1918-6SC		1133-1918-7SC		1123-1918-6HC		1133-1918-7HC	
	20"		1123-1920-6SC		1133-1920-7SC		1123-1920-6HC		1133-1920-7HC	
	XX		1123-19XX-6SC		1133-19XX-7SC		1123-19XX-6HC		1133-19XX-7HC	
20"	20"		1123-2020-6SC		1133-2020-7SC		1123-2020-6HC		1133-2020-7HC	
	22"		1123-2022-6SC		1133-2022-7SC		1123-2022-6HC		1133-2022-7HC	
	XX		1123-20XX-6SC		1133-20XX-7SC		1123-20XX-6HC		1133-20XX-7HC	
Upto20	XX	1123-2929-6SC		1133-2929-7SC		1123-2929-6HC		1133-2929-7HC		
Upto25	XX	1123-2939-6SC		1133-2939-7SC		1123-2939-6HC		1133-2939-7HC		

Spex Cushion Covers



SPEX STANDARD CONTOUR (30mm Trough Height)						SPEX HIGH CONTOUR (50 mm Trough Height)			
WIDTH	LENGTH	QTY	SPARE COVER	QTY	INCONT COVER	QTY	SPARE COVER	QTY	INCONT COVER
10"	10"		1125-1010-6SC		1135-1010-7SC		1125-1010-6HC		1135-1010-7HC
	12"		1125-1012-6SC		1135-1012-7SC		1125-1012-6HC		1135-1012-7HC
	XX		1125-10XX-6SC		1135-10XX-7SC		1125-10XX-6HC		1135-10XX-7HC
11"	10"		1125-1110-6SC		1135-1110-7SC		1125-1110-6HC		1135-1110-7HC
	12"		1125-1112-6SC		1135-1112-7SC		1125-1112-6HC		1135-1112-7HC
	XX		1125-11XX-6SC		1135-11XX-7SC		1125-11XX-6HC		1135-11XX-7HC
12"	12"		1125-1212-6SC		1135-1212-7SC		1125-1212-6HC		1135-1212-7HC
	14"		1125-1214-6SC		1135-1214-7SC		1125-1214-6HC		1135-1214-7HC
	XX		1125-12XX-6SC		1135-12XX-7SC		1125-12XX-6HC		1135-12XX-7HC
13"	12"		1125-1312-6SC		1135-1312-7SC		1125-1312-6HC		1135-1312-7HC
	14"		1125-1314-6SC		1135-1314-7SC		1125-1314-6HC		1135-1314-7HC
	XX		1125-13XX-6SC		1135-13XX-7SC		1125-13XX-6HC		1135-13XX-7HC
14"	14"		1125-1414-6SC		1135-1414-7SC		1125-1414-6HC		1135-1414-7HC
	16"		1125-1416-6SC		1135-1416-7SC		1125-1416-6HC		1135-1416-7HC
	XX		1125-14XX-6SC		1135-14XX-7SC		1125-14XX-6HC		1135-14XX-7HC
15"	14"		1125-1514-6SC		1135-1514-7SC		1125-1514-6HC		1135-1514-7HC
	16"		1125-1516-6SC		1135-1516-7SC		1125-1516-6HC		1135-1516-7HC
	XX		1125-15XX-6SC		1135-15XX-7SC		1125-15XX-6HC		1135-15XX-7HC
16"	16"		1125-1616-6SC		1135-1616-7SC		1125-1616-6HC		1135-1616-7HC
	18"		1125-1618-6SC		1135-1618-7SC		1125-1618-6HC		1135-1618-7HC
	XX		1125-16XX-6SC		1135-16XX-7SC		1125-16XX-6HC		1135-16XX-7HC
17"	17"		1125-1717-6SC		1135-1717-7SC		1125-1717-6HC		1135-1717-7HC
	18"		1125-1718-6SC		1135-1718-7SC		1125-1718-6HC		1135-1718-7HC
	XX		1125-17XX-6SC		1135-17XX-7SC		1125-17XX-6HC		1135-17XX-7HC
18"	18"		1125-1818-6SC		1135-1818-7SC		1125-1818-6HC		1135-1818-7HC
	20"		1125-1820-6SC		1135-1820-7SC		1125-1820-6HC		1135-1820-7HC
	XX		1125-18XX-6SC		1135-18XX-7SC		1125-18XX-6HC		1135-18XX-7HC
19"	18"		1125-1918-6SC		1135-1918-7SC		1125-1918-6HC		1135-1918-7HC
	20"		1125-1920-6SC		1135-1920-7SC		1125-1920-6HC		1135-1920-7HC
	XX		1125-19XX-6SC		1135-19XX-7SC		1125-19XX-6HC		1135-19XX-7HC
20"	20"		1125-2020-6SC		1135-2020-7SC		1125-2020-6HC		1135-2020-7HC
	22"		1125-2022-6SC		1135-2022-7SC		1125-2022-6HC		1135-2022-7HC
	XX		1125-20XX-6SC		1135-20XX-7SC		1125-20XX-6HC		1135-20XX-7HC
Upto20	XX	1125-2929-6SC		1135-2929-7SC		1125-2929-6HC		1135-2929-7HC	
Upto25	XX	1125-2939-6SC		1135-2939-7SC		1125-2939-6HC		1135-2939-7HC	

Spex SuperHigh Cushion Covers



10"-13" Trough Height: 80 mm
14"+ Trough Height: 100 mm

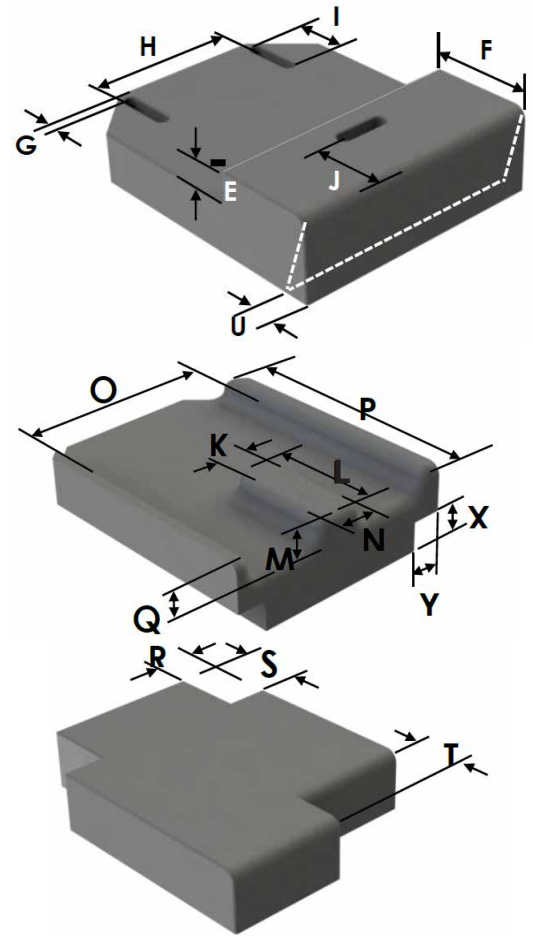
WIDTH	LENGTH	QTY	SPARE COVER	QTY	INCONT COVER	WIDTH	LENGTH	QTY	SPARE COVER	QTY	INCONT COVER
10"	10"		1125-1010-6SH		1135-1010-7SH	16"	16"		1125-1616-6SH		1135-1616-7SH
	12"		1125-1012-6SH		1135-1012-7SH		18"		1125-1618-6SH		1135-1618-7SH
	XX		1125-10XX-6SH		1135-10XX-7SH		XX		1125-16XX-6SH		1135-16XX-7SH
11"	10"		1125-1110-6SH		1135-1110-7SH	17"	17"		1125-1717-6SH		1135-1717-7SH
	12"		1125-1112-6SH		1135-1112-7SH		18"		1125-1718-6SH		1135-1718-7SH
	XX		1125-11XX-6SH		1135-11XX-7SH		XX		1125-17XX-6SH		1135-17XX-7SH
12"	12"		1125-1212-6SH		1135-1212-7SH	18"	18"		1125-1818-6SH		1135-1818-7SH
	14"		1125-1214-6SH		1135-1214-7SH		20"		1125-1820-6SH		1135-1820-7SH
	XX		1125-12XX-6SH		1135-12XX-7SH		XX		1125-18XX-6SH		1135-18XX-7SH
13"	12"		1125-1312-6SH		1135-1312-7SH	19"	18"		1125-1918-6SH		1135-1918-7SH
	14"		1125-1314-6SH		1135-1314-7SH		20"		1125-1920-6SH		1135-1920-7SH
	XX		1125-13XX-6SH		1135-13XX-7SH		XX		1125-19XX-6SH		1135-19XX-7SH
14"	14"		1125-1414-6SH		1135-1414-7SH	20"	20"		1125-2020-6SH		1135-2020-7SH
	16"		1125-1416-6SH		1135-1416-7SH		XX		1125-2022-6SH		1135-2022-7SH
	XX		1125-14XX-6SH		1135-14XX-7SH		XX		1125-20XX-6SH		1135-20XX-7SH
15"	14"		1125-1514-6SH		1135-1514-7SH	Upto20	XX		1125-2929-6SH		1135-2929-7SH
	16"		1125-1516-6SH		1135-1516-7SH	Upto25	XX		1125-2939-6SH		1135-2939-7SH
	XX		1125-15XX-6SH		1135-15XX-7SH						

SuperHigh cushion not compatible with High Supports or Medial Thigh Supports

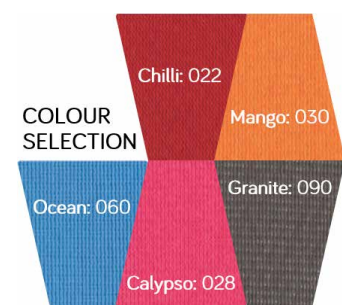
Cushion Cover Modifications

QTY	ITEM CODE	CUSTOM MODIFIED SPARE COVERS (FOR WHEN SHAPE MODIFICATIONS ARE SCRIPTED)	PER
	1121-2949-600	Dualtec Outer Cover	EA
	1131-2949-700	Dualtec Incontinence Cover	EA
	1123-2949-600	Vigour Outer Cover	EA
	1133-2949-700	Vigour Incontinence Cover	EA
	1125-2949-600	Spex Outer Cover	EA
	1135-2949-700	Spex Incontinence Cover	EA

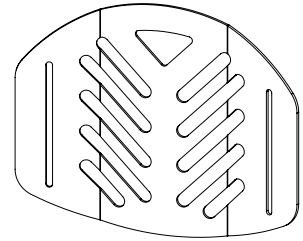
Describe existing cushion modifications when above covers are ordered. Original order number for existing custom cushion must be specified when ordering replacement covers



QTY	ITEM CODE	COVER CUSTOMISATION	PER
		Custom fabric choice for top cushion surface	
	1111-0399-209	Spextex. Wipe-down, waterproof finish	EA
	1111-0399-219	Spextex. Knitted side fabric finish	EA
	1111-0399-099	Air mesh Spacer Fabric	EA
	1111-0491-028	Change cushion border to Calypso pink	EA
	1111-0491-030	Change cushion border to Mango orange	EA
	1111-0491-060	Change cushion border to Ocean blue	EA
	1111-0491-090	Change cushion border to Granite grey	EA
	1111-0491-022	Change cushion border to Chilli red	EA
	1111-0480-000	Cellphone/accessory pocket for cushion	EA
		Spex Cushion additional contouring kit	
	1111-0273-000	Specify cushion size: " x "	EA



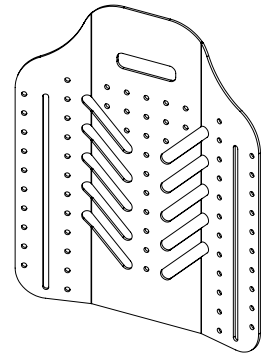
Vigour Back Support



W/C	WIDTH	HEIGHT	QTY	FOAM INNER	QTY	OUTER COVER	QTY	INCONT COVER	QTY	SHELL
10"	6"			1252-1006-00L-F		1252-1006-00L-C		1252-1006-00L-I		1252-1006-00L-S
11"	6"			1252-1106-00L-F		1252-1106-00L-C		1252-1106-00L-I		
12"	7"			1252-1207-00L-F		1252-1207-00L-C		1252-1207-00L-I		1252-1207-00L-S
13"	7"			1252-1307-00L-F		1252-1307-00L-C		1252-1307-00L-I		
14"	8"			1252-1408-00L-F		1252-1408-00L-C		1252-1408-00L-I		1252-1408-00L-S
15"	8"			1252-1508-00L-F		1252-1508-00L-C		1252-1508-00L-I		
16"	10"			1252-1610-00L-F		1252-1610-00L-C		1252-1610-00L-I		1252-1610-00L-S
17"	10"			1252-1710-00L-F		1252-1710-00L-C		1252-1710-00L-I		1252-1710-00L-S
18"	11"			1252-1811-00L-F		1252-1811-00L-C		1252-1811-00L-I		1252-1811-00L-S
19"	11"			1252-1911-00L-F		1252-1911-00L-C		1252-1911-00L-I		
20"	11"			1252-2011-00L-F		1252-2011-00L-C		1252-2011-00L-I		1252-2011-00L-S

FOAM INNER MODIFICATIONS

Air-Flow Upgrade		1209-2351-300		Contouring cell-cube system upgrade (Spex style)		1208-1201-300
------------------	--	---------------	--	--	--	---------------



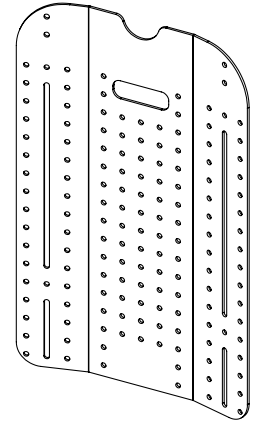
W/C	WIDTH	HEIGHT	QTY	FOAM INNER	QTY	OUTER COVER	QTY	INCONT COVER	QTY	SHELL
10"	10"			1252-1010-00M-F		1252-1010-00M-C		1252-1010-00M-I		1252-1010-00M-S
11"	10"			1252-1110-00M-F		1252-1110-00M-C		1252-1110-00M-I		
12"	12"			1252-1212-00M-F		1252-1212-00M-C		1252-1212-00M-I		1252-1212-00M-S
13"	12"			1252-1312-00M-F		1252-1312-00M-C		1252-1312-00M-I		
14"	14"			1252-1414-00M-F		1252-1414-00M-C		1252-1414-00M-I		1252-1414-00M-S
15"	14"			1252-1514-00M-F		1252-1514-00M-C		1252-1514-00M-I		
16"	16"			1252-1616-00M-F		1252-1616-00M-C		1252-1616-00M-I		1252-1616-00M-S
17"	17"			1252-1717-00M-F		1252-1717-00M-C		1252-1717-00M-I		1252-1717-00M-S
18"	17"			1252-1817-00M-F		1252-1817-00M-C		1252-1817-00M-I		1252-1817-00M-S
19"	17"			1252-1917-00M-F		1252-1917-00M-C		1252-1917-00M-I		
20"	17"			1252-2017-00M-F		1252-2017-00M-C		1252-2017-00M-I		1252-2017-00M-S

FOAM INNER MODIFICATIONS

Air-Flow Upgrade		1209-2351-300		Contouring cell-cube system upgrade (Spex style)		1208-1202-300
------------------	--	---------------	--	--	--	---------------

Vigour Back Support

VIGOUR HI



W/C	WIDTH	HEIGHT	QTY	FOAM INNER	QTY	SPARE COVER	QTY	INCONT COVER	QTY	SHELL
10"	12"			1252-1012-00H-F		1252-1012-00H-C		1252-1012-00H-I		1252-1012-00H-S
	14"			1252-1014-00H-F		1252-1014-00H-C		1252-1014-00H-I		1252-1014-00H-S
	16"			1252-1016-00H-F		1252-1016-00H-C		1252-1016-00H-I		1252-1016-00H-S
11"	12"			1252-1112-00H-F		1252-1112-00H-C		1252-1112-00H-I		1252-1112-00H-S
	14"			1252-1114-00H-F		1252-1114-00H-C		1252-1114-00H-I		1252-1114-00H-S
	16"			1252-1116-00H-F		1252-1116-00H-C		1252-1116-00H-I		1252-1116-00H-S
12"	14"			1252-1214-00H-F		1252-1214-00H-C		1252-1214-00H-I		1252-1214-00H-S
	16"			1252-1216-00H-F		1252-1216-00H-C		1252-1216-00H-I		1252-1216-00H-S
	18"			1252-1218-00H-F		1252-1218-00H-C		1252-1218-00H-I		1252-1218-00H-S
13"	14"			1252-1314-00H-F		1252-1314-00H-C		1252-1314-00H-I		1252-1314-00H-S
	16"			1252-1316-00H-F		1252-1316-00H-C		1252-1316-00H-I		1252-1316-00H-S
	18"			1252-1318-00H-F		1252-1318-00H-C		1252-1318-00H-I		1252-1318-00H-S
14"	16"			1252-1416-00H-F		1252-1416-00H-C		1252-1416-00H-I		1252-1416-00H-S
	18"			1252-1418-00H-F		1252-1418-00H-C		1252-1418-00H-I		1252-1418-00H-S
	20"			1252-1420-00H-F		1252-1420-00H-C		1252-1420-00H-I		1252-1420-00H-S
15"	16"			1252-1516-00H-F		1252-1516-00H-C		1252-1516-00H-I		1252-1516-00H-S
	18"			1252-1518-00H-F		1252-1518-00H-C		1252-1518-00H-I		1252-1518-00H-S
	20"			1252-1520-00H-F		1252-1520-00H-C		1252-1520-00H-I		1252-1520-00H-S
16"	18"			1252-1618-00H-F		1252-1618-00H-C		1252-1618-00H-I		1252-1618-00H-S
	20"			1252-1620-00H-F		1252-1620-00H-C		1252-1620-00H-I		1252-1620-00H-S
	23"			1252-1623-00H-F		1252-1623-00H-C		1252-1623-00H-I		1252-1623-00H-S
17"	18"			1252-1718-00H-F		1252-1718-00H-C		1252-1718-00H-I		1252-1718-00H-S
	20"			1252-1720-00H-F		1252-1720-00H-C		1252-1720-00H-I		1252-1720-00H-S
	23"			1252-1723-00H-F		1252-1723-00H-C		1252-1723-00H-I		1252-1723-00H-S
18"	18"			1252-1818-00H-F		1252-1818-00H-C		1252-1818-00H-I		1252-1818-00H-S
	20"			1252-1820-00H-F		1252-1820-00H-C		1252-1820-00H-I		1252-1820-00H-S
	23"			1252-1823-00H-F		1252-1823-00H-C		1252-1823-00H-I		1252-1823-00H-S
19"	18"			1252-1918-00H-F		1252-1918-00H-C		1252-1918-00H-I		1252-1918-00H-S
	20"			1252-1920-00H-F		1252-1920-00H-C		1252-1920-00H-I		1252-1920-00H-S
	23"			1252-1923-00H-F		1252-1923-00H-C		1252-1923-00H-I		1252-1923-00H-S
20"	18"			1252-2018-00H-F		1252-2018-00H-C		1252-2018-00H-I		1252-2018-00H-S
	20"			1252-2020-00H-F		1252-2020-00H-C		1252-2020-00H-I		1252-2020-00H-S
	23"			1252-2023-00H-F		1252-2023-00H-C		1252-2023-00H-I		1252-2023-00H-S

FOAM MODIFICATIONS

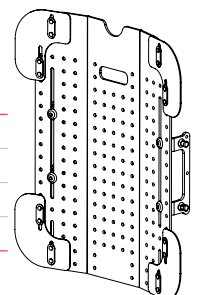
Air-Flow Upgrade	1209-2351-300
------------------	---------------

T-SHAPE MODIFICATIONS

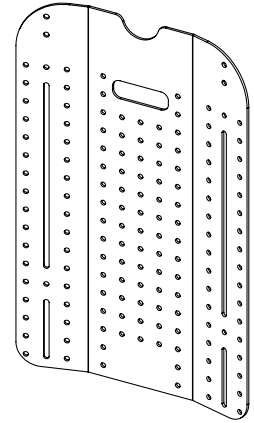
T-shape upgrade - foam	1209-2110-0TS-F
T-shape upgrade - cover	1209-2110-0TS-C
T-shape upgrade - shell: 10-15"	1209-2110-0TS-S
T-shape upgrade - shell: 16"+	1209-2116-0TS-S

SURFACE STYLE (I) MODIFICATIONS

Surface-style (I) upgrade - foam	1209-2110-2TS-F
Surface-style (I) upgrade - cover	1209-2110-2TS-C
Surface-style (I) upgrade - shell: 10-15"	1209-2110-2TS-S
Surface-style (I) upgrade - shell: 16"+	1209-2116-2TS-S

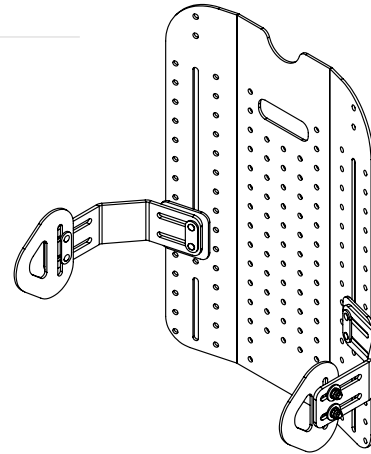


Comfi Back Support

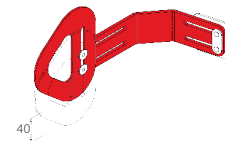
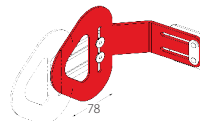
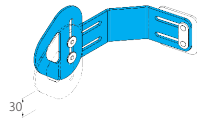
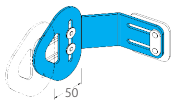


W/C	WIDTH	HEIGHT	QTY	FOAM INNER	QTY	SPARE COVER	QTY	INCONT COVER	QTY	SHELL
10"	12"			1253-1012-00H-F		1253-1012-00H-C		1253-1012-00H-I		1253-1012-00H-S
	14"			1253-1014-00H-F		1253-1014-00H-C		1253-1014-00H-I		1253-1014-00H-S
	16"			1253-1016-00H-F		1253-1016-00H-C		1253-1016-00H-I		1253-1016-00H-S
	XX			1253-10XX-00H-F		1253-10XX-00H-C		1253-10XX-00H-I		1253-10XX-00H-S
11"	12"			1253-1112-00H-F		1253-1112-00H-C		1253-1112-00H-I		
	14"			1253-1114-00H-F		1253-1114-00H-C		1253-1114-00H-I		
	16"			1253-1116-00H-F		1253-1116-00H-C		1253-1116-00H-I		
	XX			1253-11XX-00H-F		1253-11XX-00H-C		1253-11XX-00H-I		
12"	14"			1253-1214-00H-F		1253-1214-00H-C		1253-1214-00H-I		1253-1214-00H-S
	16"			1253-1216-00H-F		1253-1216-00H-C		1253-1216-00H-I		1253-1216-00H-S
	18"			1253-1218-00H-F		1253-1218-00H-C		1253-1218-00H-I		1253-1218-00H-S
	XX			1253-12XX-00H-F		1253-12XX-00H-C		1253-12XX-00H-I		1253-12XX-00H-S
13"	14"			1253-1314-00H-F		1253-1314-00H-C		1253-1314-00H-I		
	16"			1253-1316-00H-F		1253-1316-00H-C		1253-1316-00H-I		
	18"			1253-1318-00H-F		1253-1318-00H-C		1253-1318-00H-I		
	XX			1253-13XX-00H-F		1253-13XX-00H-C		1253-13XX-00H-I		
14"	16"			1253-1416-00H-F		1253-1416-00H-C		1253-1416-00H-I		1253-1416-00H-S
	18"			1253-1418-00H-F		1253-1418-00H-C		1253-1418-00H-I		1253-1418-00H-S
	20"			1253-1420-00H-F		1253-1420-00H-C		1253-1420-00H-I		1253-1420-00H-S
	XX			1253-14XX-00H-F		1253-14XX-00H-C		1253-14XX-00H-I		1253-14XX-00H-S
15"	16"			1253-1516-00H-F		1253-1516-00H-C		1253-1516-00H-I		
	18"			1253-1518-00H-F		1253-1518-00H-C		1253-1518-00H-I		
	20"			1253-1520-00H-F		1253-1520-00H-C		1253-1520-00H-I		
	XX			1253-15XX-00H-F		1253-15XX-00H-C		1253-15XX-00H-I		
16"	18"			1253-1618-00H-F		1253-1618-00H-C		1253-1618-00H-I		1253-1618-00H-S
	20"			1253-1620-00H-F		1253-1620-00H-C		1253-1620-00H-I		1253-1620-00H-S
	23"			1253-1623-00H-F		1253-1623-00H-C		1253-1623-00H-I		1253-1623-00H-S
	XX			1253-16XX-00H-F		1253-16XX-00H-C		1253-16XX-00H-I		1253-16XX-00H-S
17"	18"			1253-1718-00H-F		1253-1718-00H-C		1253-1718-00H-I		1253-1718-00H-S
	20"			1253-1720-00H-F		1253-1720-00H-C		1253-1720-00H-I		1253-1720-00H-S
	23"			1253-1723-00H-F		1253-1723-00H-C		1253-1723-00H-I		1253-1723-00H-S
	XX			1253-17XX-00H-F		1253-17XX-00H-C		1253-17XX-00H-I		1253-17XX-00H-S
18"	18"			1253-1818-00H-F		1253-1818-00H-C		1253-1818-00H-I		1253-1818-00H-S
	20"			1253-1820-00H-F		1253-1820-00H-C		1253-1820-00H-I		1253-1820-00H-S
	23"			1253-1823-00H-F		1253-1823-00H-C		1253-1823-00H-I		1253-1823-00H-S
	XX			1253-18XX-00H-F		1253-18XX-00H-C		1253-18XX-00H-I		1253-18XX-00H-S
19"	18"			1253-1918-00H-F		1253-1918-00H-C		1253-1918-00H-I		
	20"			1253-1920-00H-F		1253-1920-00H-C		1253-1920-00H-I		
	23"			1253-1923-00H-F		1253-1923-00H-C		1253-1923-00H-I		
	XX			1253-19XX-00H-F		1253-19XX-00H-C		1253-19XX-00H-I		
20"	18"			1253-2018-00H-F		1253-2018-00H-C		1253-2018-00H-I		1253-2018-00H-S
	20"			1253-2020-00H-F		1253-2020-00H-C		1253-2020-00H-I		1253-2020-00H-S
	23"			1253-2023-00H-F		1253-2023-00H-C		1253-2023-00H-I		1253-2023-00H-S
	XX			1253-20XX-00H-F		1253-20XX-00H-C		1253-20XX-00H-I		1253-20XX-00H-S

Mantaray Back Support

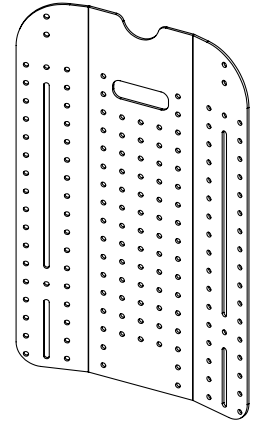


W/C	WIDTH	HIGH	QTY	FOAM INNER	QTY	SPARE COVER	QTY	INCONT COVER	QTY	SHELL
12"	14"			1254-1214-000-F		1254-1214-000-C		1254-1214-000-I		1254-1214-000-S
	16"			1254-1216-000-F		1254-1216-000-C		1254-1216-000-I		1254-1216-000-S
13"	14"			1254-1314-000-F		1254-1314-000-C		1254-1314-000-I		
	16"			1254-1316-000-F		1254-1316-000-C		1254-1316-000-I		
14"	16"			1254-1416-000-F		1254-1416-000-C		1254-1416-000-I		1254-1416-000-S
	18"			1254-1418-000-F		1254-1418-000-C		1254-1418-000-I		1254-1418-000-S
15"	16"			1254-1516-000-F		1254-1516-000-C		1254-1516-000-I		
	18"			1254-1518-000-F		1254-1518-000-C		1254-1518-000-I		
16"	18"			1254-1618-000-F		1254-1618-000-C		1254-1618-000-I		1254-1618-000-S
	20"			1254-1620-000-F		1254-1620-000-C		1254-1620-000-I		1254-1620-000-S
17"	18"			1254-1718-000-F		1254-1718-000-C		1254-1718-000-I		1254-1718-000-S
	20"			1254-1720-000-F		1254-1720-000-C		1254-1720-000-I		1254-1720-000-S
18"	18"			1254-1818-000-F		1254-1818-000-C		1254-1818-000-I		1254-1818-000-S
	20"			1254-1820-000-F		1254-1820-000-C		1254-1820-000-I		1254-1820-000-S
19"	18"			1254-1918-000-F		1254-1918-000-C		1254-1918-000-I		
	20"			1254-1920-000-F		1254-1920-000-C		1254-1920-000-I		
20"	18"			1254-2018-000-F		1254-2018-000-C		1254-2018-000-I		1254-2018-000-S
	20"			1254-2020-000-F		1254-2020-000-C		1254-2020-000-I		1254-2020-000-S



WING BRACKET ASSEMBLIES	QTY	EACH
Size 1 - for 10-15" back support		A-00546
Size 2 - for 16"+ back support		A-00548

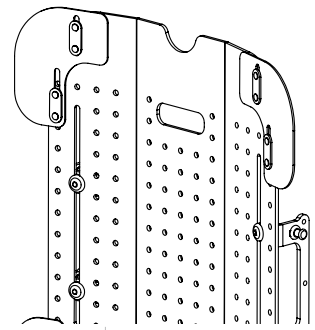
Spex Back Support: RECTANGLE SHAPE



W/C WIDTH	HEIGHT	QTY	FOAM INNER	QTY	SPARE COVER	QTY	INCONT COVER	QTY	SHELL
10"	12"		1255-1012-OSS-F		1255-1012-OSS-C		1255-1012-OSS-I		1255-1012-OSS-S
	14"		1255-1014-OSS-F		1255-1014-OSS-C		1255-1014-OSS-I		1255-1014-OSS-S
	16"		1255-1016-OSS-F		1255-1016-OSS-C		1255-1016-OSS-I		1255-1016-OSS-S
	XX		1255-10XX-OSS-F		1255-10XX-OSS-C		1255-10XX-OSS-I		1255-10XX-OSS-S
11"	12"		1255-1112-OSS-F		1255-1112-OSS-C		1255-1112-OSS-I		
	14"		1255-1114-OSS-F		1255-1114-OSS-C		1255-1114-OSS-I		
	16"		1255-1116-OSS-F		1255-1116-OSS-C		1255-1116-OSS-I		
	XX		1255-11XX-OSS-F		1255-11XX-OSS-C		1255-11XX-OSS-I		
12"	14"		1255-1214-OSS-F		1255-1214-OSS-C		1255-1214-OSS-I		1255-1214-OSS-S
	16"		1255-1216-OSS-F		1255-1216-OSS-C		1255-1216-OSS-I		1255-1216-OSS-S
	18"		1255-1218-OSS-F		1255-1218-OSS-C		1255-1218-OSS-I		1255-1218-OSS-S
	XX		1255-12XX-OSS-F		1255-12XX-OSS-C		1255-12XX-OSS-I		1255-12XX-OSS-S
13"	14"		1255-1314-OSS-F		1255-1314-OSS-C		1255-1314-OSS-I		
	16"		1255-1316-OSS-F		1255-1316-OSS-C		1255-1316-OSS-I		
	18"		1255-1318-OSS-F		1255-1318-OSS-C		1255-1318-OSS-I		
	XX		1255-13XX-OSS-F		1255-13XX-OSS-C		1255-13XX-OSS-I		
14"	16"		1255-1416-OSS-F		1255-1416-OSS-C		1255-1416-OSS-I		1255-1416-OSS-S
	18"		1255-1418-OSS-F		1255-1418-OSS-C		1255-1418-OSS-I		1255-1418-OSS-S
	20"		1255-1420-OSS-F		1255-1420-OSS-C		1255-1420-OSS-I		1255-1420-OSS-S
	XX		1255-14XX-OSS-F		1255-14XX-OSS-C		1255-14XX-OSS-I		1255-14XX-OSS-S
15"	16"		1255-1516-OSS-F		1255-1516-OSS-C		1255-1516-OSS-I		
	18"		1255-1518-OSS-F		1255-1518-OSS-C		1255-1518-OSS-I		
	20"		1255-1520-OSS-F		1255-1520-OSS-C		1255-1520-OSS-I		
	XX		1255-15XX-OSS-F		1255-15XX-OSS-C		1255-15XX-OSS-I		
16"	18"		1255-1618-OSS-F		1255-1618-OSS-C		1255-1618-OSS-I		1255-1618-OSS-S
	20"		1255-1620-OSS-F		1255-1620-OSS-C		1255-1620-OSS-I		1255-1620-OSS-S
	23"		1255-1623-OSS-F		1255-1623-OSS-C		1255-1623-OSS-I		1255-1623-OSS-S
	XX		1255-16XX-OSS-F		1255-16XX-OSS-C		1255-16XX-OSS-I		1255-16XX-OSS-S
17"	18"		1255-1718-OSS-F		1255-1718-OSS-C		1255-1718-OSS-I		1255-1718-OSS-S
	20"		1255-1720-OSS-F		1255-1720-OSS-C		1255-1720-OSS-I		1255-1720-OSS-S
	23"		1255-1723-OSS-F		1255-1723-OSS-C		1255-1723-OSS-I		1255-1723-OSS-S
	XX		1255-17XX-OSS-F		1255-17XX-OSS-C		1255-17XX-OSS-I		1255-17XX-OSS-S
18"	18"		1255-1818-OSS-F		1255-1818-OSS-C		1255-1818-OSS-I		1255-1818-OSS-S
	20"		1255-1820-OSS-F		1255-1820-OSS-C		1255-1820-OSS-I		1255-1820-OSS-S
	23"		1255-1823-OSS-F		1255-1823-OSS-C		1255-1823-OSS-I		1255-1823-OSS-S
	XX		1255-18XX-OSS-F		1255-18XX-OSS-C		1255-18XX-OSS-I		1255-18XX-OSS-S
19"	18"		1255-1918-OSS-F		1255-1918-OSS-C		1255-1918-OSS-I		
	20"		1255-1920-OSS-F		1255-1920-OSS-C		1255-1920-OSS-I		
	23"		1255-1923-OSS-F		1255-1923-OSS-C		1255-1923-OSS-I		
	XX		1255-19XX-OSS-F		1255-19XX-OSS-C		1255-19XX-OSS-I		
20"	18"		1255-2018-OSS-F		1255-2018-OSS-C		1255-2018-OSS-I		1255-2018-OSS-S
	20"		1255-2020-OSS-F		1255-2020-OSS-C		1255-2020-OSS-I		1255-2020-OSS-S
	23"		1255-2023-OSS-F		1255-2023-OSS-C		1255-2023-OSS-I		1255-2023-OSS-S
	XX		1255-20XX-OSS-F		1255-20XX-OSS-C		1255-20XX-OSS-I		1255-20XX-OSS-S

QTY	CODE	SPEX FOAM MODIFICATIONS
	1208-2943-000	Extra 3rd layer of positioning cubes

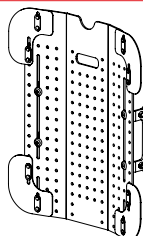
Spex Back Support: T SHAPE



W/C WIDTH	HEIGHT	QTY	FOAM INNER	QTY	SPARE COVER	QTY	INCONT COVER	QTY	SHELL
10"	12"		1255-1012-OTS-F		1255-1012-OTS-C		1255-1012-OTS-I		1255-1012-OTS-S
	14"		1255-1014-OTS-F		1255-1014-OTS-C		1255-1014-OTS-I		1255-1014-OTS-S
	16"		1255-1016-OTS-F		1255-1016-OTS-C		1255-1016-OTS-I		1255-1016-OTS-S
	XX		1255-10XX-OTS-F		1255-10XX-OTS-C		1255-10XX-OTS-I		1255-10XX-OTS-S
11"	12"		1255-1112-OTS-F		1255-1112-OTS-C		1255-1112-OTS-I		
	14"		1255-1114-OTS-F		1255-1114-OTS-C		1255-1114-OTS-I		
	16"		1255-1116-OTS-F		1255-1116-OTS-C		1255-1116-OTS-I		
	XX		1255-11XX-OTS-F		1255-11XX-OTS-C		1255-11XX-OTS-I		
12"	14"		1255-1214-OTS-F		1255-1214-OTS-C		1255-1214-OTS-I		1255-1214-OTS-S
	16"		1255-1216-OTS-F		1255-1216-OTS-C		1255-1216-OTS-I		1255-1216-OTS-S
	18"		1255-1218-OTS-F		1255-1218-OTS-C		1255-1218-OTS-I		1255-1218-OTS-S
	XX		1255-12XX-OTS-F		1255-12XX-OTS-C		1255-12XX-OTS-I		1255-12XX-OTS-S
13"	14"		1255-1314-OTS-F		1255-1314-OTS-C		1255-1314-OTS-I		
	16"		1255-1316-OTS-F		1255-1316-OTS-C		1255-1316-OTS-I		
	18"		1255-1318-OTS-F		1255-1318-OTS-C		1255-1318-OTS-I		
	XX		1255-13XX-OTS-F		1255-13XX-OTS-C		1255-13XX-OTS-I		
14"	16"		1255-1416-OTS-F		1255-1416-OTS-C		1255-1416-OTS-I		1255-1416-OTS-S
	18"		1255-1418-OTS-F		1255-1418-OTS-C		1255-1418-OTS-I		1255-1418-OTS-S
	20"		1255-1420-OTS-F		1255-1420-OTS-C		1255-1420-OTS-I		1255-1420-OTS-S
	XX		1255-14XX-OTS-F		1255-14XX-OTS-C		1255-14XX-OTS-I		1255-14XX-OTS-S
15"	16"		1255-1516-OTS-F		1255-1516-OTS-C		1255-1516-OTS-I		
	18"		1255-1518-OTS-F		1255-1518-OTS-C		1255-1518-OTS-I		
	20"		1255-1520-OTS-F		1255-1520-OTS-C		1255-1520-OTS-I		
	XX		1255-15XX-OTS-F		1255-15XX-OTS-C		1255-15XX-OTS-I		
16"	18"		1255-1618-OTS-F		1255-1618-OTS-C		1255-1618-OTS-I		1255-1618-OTS-S
	20"		1255-1620-OTS-F		1255-1620-OTS-C		1255-1620-OTS-I		1255-1620-OTS-S
	23"		1255-1623-OTS-F		1255-1623-OTS-C		1255-1623-OTS-I		1255-1623-OTS-S
	XX		1255-16XX-OTS-F		1255-16XX-OTS-C		1255-16XX-OTS-I		1255-16XX-OTS-S
17"	18"		1255-1718-OTS-F		1255-1718-OTS-C		1255-1718-OTS-I		1255-1718-OTS-S
	20"		1255-1720-OTS-F		1255-1720-OTS-C		1255-1720-OTS-I		1255-1720-OTS-S
	23"		1255-1723-OTS-F		1255-1723-OTS-C		1255-1723-OTS-I		1255-1723-OTS-S
	XX		1255-17XX-OTS-F		1255-17XX-OTS-C		1255-17XX-OTS-I		1255-17XX-OTS-S
18"	18"		1255-1818-OTS-F		1255-1818-OTS-C		1255-1818-OTS-I		1255-1818-OTS-S
	20"		1255-1820-OTS-F		1255-1820-OTS-C		1255-1820-OTS-I		1255-1820-OTS-S
	23"		1255-1823-OTS-F		1255-1823-OTS-C		1255-1823-OTS-I		1255-1823-OTS-S
	XX		1255-18XX-OTS-F		1255-18XX-OTS-C		1255-18XX-OTS-I		1255-18XX-OTS-S
19"	18"		1255-1918-OTS-F		1255-1918-OTS-C		1255-1918-OTS-I		
	20"		1255-1920-OTS-F		1255-1920-OTS-C		1255-1920-OTS-I		
	23"		1255-1923-OTS-F		1255-1923-OTS-C		1255-1923-OTS-I		
	XX		1255-19XX-OTS-F		1255-19XX-OTS-C		1255-19XX-OTS-I		
20"	18"		1255-2018-OTS-F		1255-2018-OTS-C		1255-2018-OTS-I		1255-2018-OTS-S
	20"		1255-2020-OTS-F		1255-2020-OTS-C		1255-2020-OTS-I		1255-2020-OTS-S
	23"		1255-2023-OTS-F		1255-2023-OTS-C		1255-2023-OTS-I		1255-2023-OTS-S
	XX		1255-20XX-OTS-F		1255-20XX-OTS-C		1255-20XX-OTS-I		1255-20XX-OTS-S

SURFACE STYLE (I) MODIFICATIONS

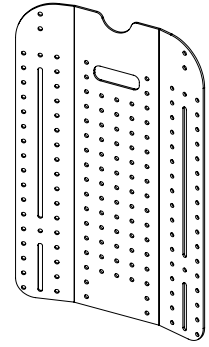
Surface-Style (I) upgrade - foam		1209-2552-2TS-F
Surface-Style (I) upgrade - cover		1209-2551-2TS-C



SURFACE STYLE (I) MODIFICATIONS - SHELL

Surface-Style (I) upgrade - shell: 10-15"		1209-2110-2TS-S
Surface-Style (I) upgrade - shell: 16"+		1209-2116-2TS-S

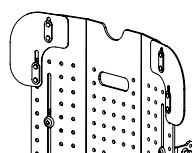
Supershaping Back Support



W/C WIDTH	HEIGHT	QTY	FOAM INNER	QTY	SPARE COVER	QTY	INCONT COVER	QTY	SHELL
10"	12"		1256-1012-OSS-F		1256-1012-OSS-C		1256-1012-OSS-I		1256-1012-OSS-S
	14"		1256-1014-OSS-F		1256-1014-OSS-C		1256-1014-OSS-I		1256-1014-OSS-S
	16"		1256-1016-OSS-F		1256-1016-OSS-C		1256-1016-OSS-I		1256-1016-OSS-S
11"	12"		1256-1112-OSS-F		1256-1112-OSS-C		1256-1112-OSS-I		
	14"		1256-1114-OSS-F		1256-1114-OSS-C		1256-1114-OSS-I		
	16"		1256-1116-OSS-F		1256-1116-OSS-C		1256-1116-OSS-I		
12"	12"		1256-1212-OSS-F		1256-1212-OSS-C		1256-1212-OSS-I		1256-1212-OSS-S
	14"		1256-1214-OSS-F		1256-1214-OSS-C		1256-1214-OSS-I		1256-1214-OSS-S
	16"		1256-1216-OSS-F		1256-1216-OSS-C		1256-1216-OSS-I		1256-1216-OSS-S
	18"		1256-1218-OSS-F		1256-1218-OSS-C		1256-1218-OSS-I		1256-1218-OSS-S
13"	12"		1256-1312-OSS-F		1256-1312-OSS-C		1256-1312-OSS-I		
	14"		1256-1314-OSS-F		1256-1314-OSS-C		1256-1314-OSS-I		
	16"		1256-1316-OSS-F		1256-1316-OSS-C		1256-1316-OSS-I		
	18"		1256-1318-OSS-F		1256-1318-OSS-C		1256-1318-OSS-I		
14"	14"		1256-1414-OSS-F		1256-1414-OSS-C		1256-1414-OSS-I		1256-1414-OSS-S
	16"		1256-1416-OSS-F		1256-1416-OSS-C		1256-1416-OSS-I		1256-1416-OSS-S
	18"		1256-1418-OSS-F		1256-1418-OSS-C		1256-1418-OSS-I		1256-1418-OSS-S
	20"		1256-1420-OSS-F		1256-1420-OSS-C		1256-1420-OSS-I		1256-1420-OSS-S
	XX		1256-14XX-OSS-F		1256-14XX-OSS-C		1256-14XX-OSS-I		1256-14XX-OSS-S
15"	14"		1256-1514-OSS-F		1256-1514-OSS-C		1256-1514-OSS-I		
	16"		1256-1516-OSS-F		1256-1516-OSS-C		1256-1516-OSS-I		
	18"		1256-1518-OSS-F		1256-1518-OSS-C		1256-1518-OSS-I		
	20"		1256-1520-OSS-F		1256-1520-OSS-C		1256-1520-OSS-I		
	XX		1256-15XX-OSS-F		1256-15XX-OSS-C		1256-15XX-OSS-I		
16"	16"		1256-1616-OSS-F		1256-1616-OSS-C		1256-1616-OSS-I		1256-1616-OSS-S
	18"		1256-1618-OSS-F		1256-1618-OSS-C		1256-1618-OSS-I		1256-1618-OSS-S
	20"		1256-1620-OSS-F		1256-1620-OSS-C		1256-1620-OSS-I		1256-1620-OSS-S
	23"		1256-1623-OSS-F		1256-1623-OSS-C		1256-1623-OSS-I		1256-1623-OSS-S
	XX		1256-16XX-OSS-F		1256-16XX-OSS-C		1256-16XX-OSS-I		1256-16XX-OSS-S
17"	16"		1256-1716-OSS-F		1256-1716-OSS-C		1256-1716-OSS-I		1256-1716-OSS-S
	18"		1256-1718-OSS-F		1256-1718-OSS-C		1256-1718-OSS-I		1256-1718-OSS-S
	20"		1256-1720-OSS-F		1256-1720-OSS-C		1256-1720-OSS-I		1256-1720-OSS-S
	23"		1256-1723-OSS-F		1256-1723-OSS-C		1256-1723-OSS-I		1256-1723-OSS-S
	XX		1256-17XX-OSS-F		1256-17XX-OSS-C		1256-17XX-OSS-I		1256-17XX-OSS-S
18"	16"		1256-1816-OSS-F		1256-1816-OSS-C		1256-1816-OSS-I		1256-1816-OSS-S
	18"		1256-1818-OSS-F		1256-1818-OSS-C		1256-1818-OSS-I		1256-1818-OSS-S
	20"		1256-1820-OSS-F		1256-1820-OSS-C		1256-1820-OSS-I		1256-1820-OSS-S
	23"		1256-1823-OSS-F		1256-1823-OSS-C		1256-1823-OSS-I		1256-1823-OSS-S
	XX		1256-18XX-OSS-F		1256-18XX-OSS-C		1256-18XX-OSS-I		1256-18XX-OSS-S
19"	16"		1256-1916-OSS-F		1256-1916-OSS-C		1256-1916-OSS-I		
	18"		1256-1918-OSS-F		1256-1918-OSS-C		1256-1918-OSS-I		
	20"		1256-1920-OSS-F		1256-1920-OSS-C		1256-1920-OSS-I		
	23"		1256-1923-OSS-F		1256-1923-OSS-C		1256-1923-OSS-I		
	XX		1256-19XX-OSS-F		1256-19XX-OSS-C		1256-19XX-OSS-I		
20"	16"		1256-2016-OSS-F		1256-2016-OSS-C		1256-2016-OSS-I		1256-2016-OSS-S
	18"		1256-2018-OSS-F		1256-2018-OSS-C		1256-2018-OSS-I		1256-2018-OSS-S
	20"		1256-2020-OSS-F		1256-2020-OSS-C		1256-2020-OSS-I		1256-2020-OSS-S
	23"		1256-2023-OSS-F		1256-2023-OSS-C		1256-2023-OSS-I		1256-2023-OSS-S
	XX		1256-20XX-OSS-F		1256-20XX-OSS-C		1256-20XX-OSS-I		1256-20XX-OSS-S

T-SHAPE MODIFICATIONS

T-shape upgrade - foam		1209-2561-OTS-F
T-shape upgrade - cover		1209-2561-OTS-C




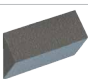



T-SHAPE MODIFICATIONS - SHELL

T-shape upgrade - shell: 10-15"		1209-2110-OTS-S
T-shape upgrade - shell: 16"+		1209-2116-OTS-S

Back Support: Foam Accessories

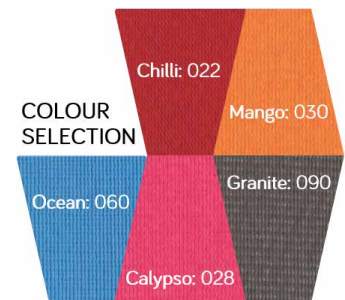
QTY	CODE	SPEX/SUPERSHAPE FOAM KITS	BACK SUPPORT SIZE
	1209-2712-300	Spex positioning kit (pack 10 cubes)	Please specify: _____"x_____"
	1209-2715-300	Supershape positioning kit (pack 20 pink cubes + 20 CCF cubes)	Please specify: _____"x_____"

QTY	CODE	WEDGES	
	1209-2713-300	Back support lumbar pad and lateral stability wedges	
	1209-2720-300	Asymmetric contour wedge kit (contains wedges below)	
	1209-2721-300	Asymmetric deep contour wedge 20 high x 20 wide x 4 deep	
	1209-2723-300	Asymmetric bi-angular contour wedge 20 high x 10 wide x 4 deep	
	1209-2722-300	Asymmetric narrow contour wedge 20 high x 10 wide x 4 deep	

Back Support: Foam Accessories

QTY	CODE	SPEX/SUPERSHAPE FOAM KITS	BACK SUPPORT SIZE
	1209-2712-300	Spex positioning kit (pack 10 cubes)	Please specify: _____"x_____"
	1209-2715-300	Supershape positioning kit (pack 20 pink cubes + 20 CCF cubes)	Please specify: _____"x_____"

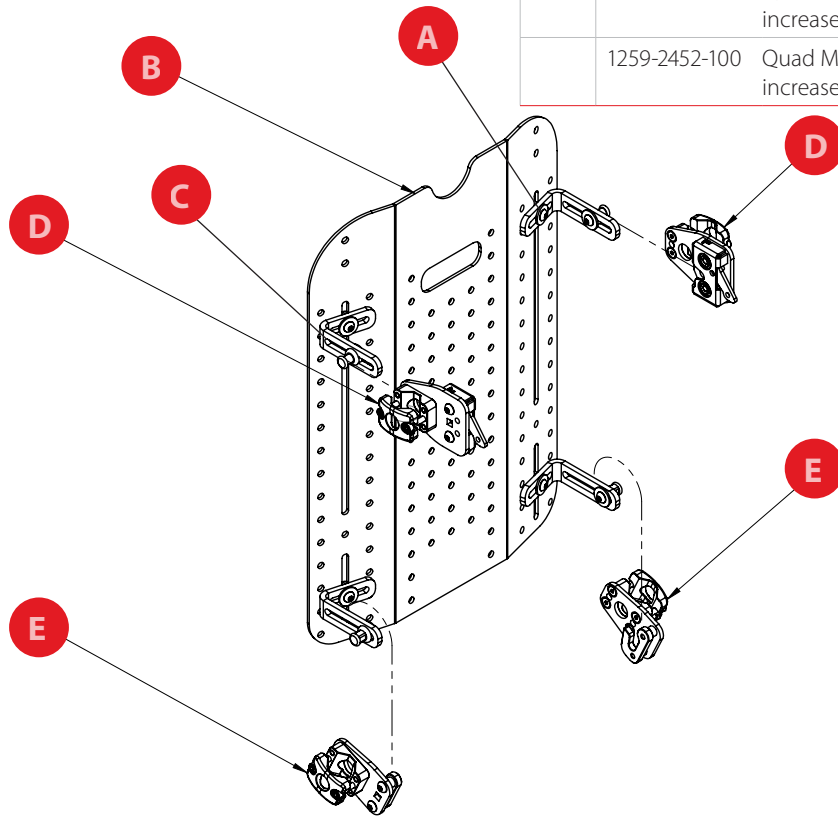
QTY	ITEM CODE	DESCRIPTION
	1208-2942-300	Custom thickness (unavailable for Comfi or Air-Flow) (Specify) =
	1208-2945-300	½" extra soft pressure-relieving foam overlay in front back support section
	1209-2346-300	30 mm soft pressure-sensitive foam in front section of back support inner
	1208-2947-300	½" gel-foam in spinal region
		Custom fabric choice on cover
	1208-2949-209	Spextex. Wipe-down, waterproof finish
	1208-2949-219	Spextex. Knitted side fabric finish
	1208-2949-099	Air mesh Spacer Fabric
	1209-2491-028	Change backrest border to Calypso pink
	1209-2491-022	Change backrest border to Chilli red
	1209-2491-030	Change backrest border to Mango orange
	1209-2491-060	Change backrest border to Ocean blue
	1209-2491-090	Change backrest border to Granite grey
	1208-2951-300	Envelope cover only for Supracor® insert
	1208-2952-300	Envelope cover with Supracor® insert



Back Support Hardware: Quad

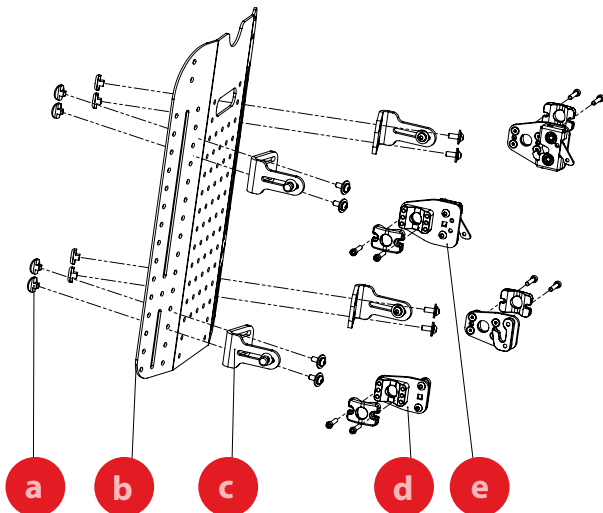
#	ITEM CODE	COMPONENTS	PER BACK
A	A-00866	T-Slot assembly set - refer pg 20	4
B		Shell - refer Back support pgs 6-12	1
C		4 point mounting bracket	4
D		Quad mount lower	2
E		Quad mount upper	2

QTY	ITEM CODE	SETS	PER
	1259-2430-100	Quad mount complete set A + C + D + E	SET
	1259-2420-100	Quad mount for second chair D + E	SET
	1259-2408-100	Quad mount brackets only A + C	SET 4
	1259-2440-100	Quad Mount additional 2 points of attachment (6 total) for when back height is over 25" or for extra secure attachment Top 1/2 C + E	SET 2
	1259-2450-100	Quad Mount extended upgrade: increase back angle by $\approx 10^\circ$	1 PR
	1259-2452-100	Quad Mount extended upgrade: increase seat depth	2 PRS

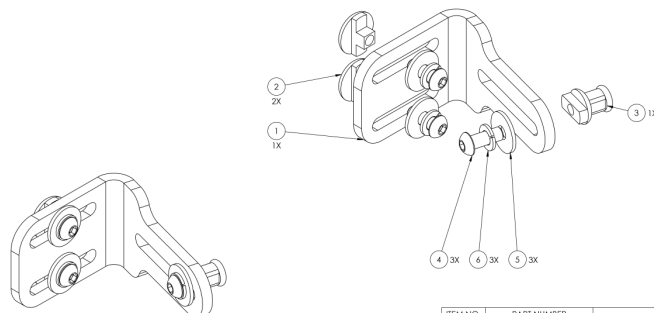


Heavy Duty Quad Mount

Supplied as standard when Quad Mount is ordered for back supports over 20" w/c width



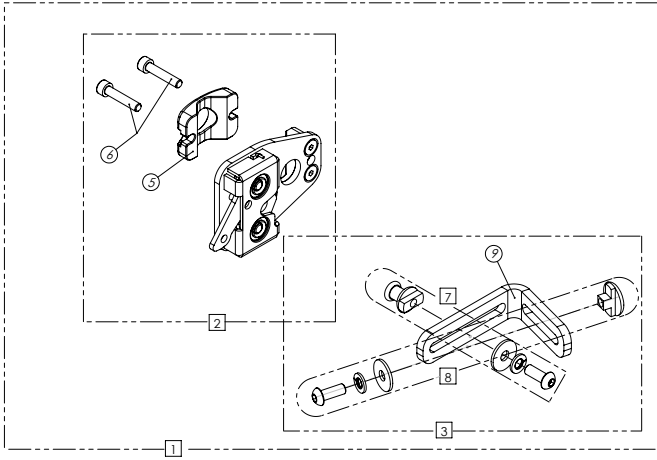
QTY	ITEM CODE	SETS	PER
	1259-2435-100	Heavy duty quad mount complete set a + c + d + e	SET
	1259-2438-100	Heavy duty quad mount brackets only a + c	SET



ITEM NO.	PART NUMBER	Description 1	QTY.
1	P-02552	4 Pt Bracket Double	1
2	P-00391	SLOT T-NUT	2
3	P-00481	TILT LOCKING PEG	1
4	0052-3BCS-M6X14BK	Button Cap Screw M6 x 14 S/S (Black FEROPHOS Coat)	3
5	0057-0FLT-M6X19X2BK	Washer Flat M6x19x2mm S/S Black coated	3
6	0057-0SPR-SSM6BK	Washer Spring M6 S/S Black coated	3

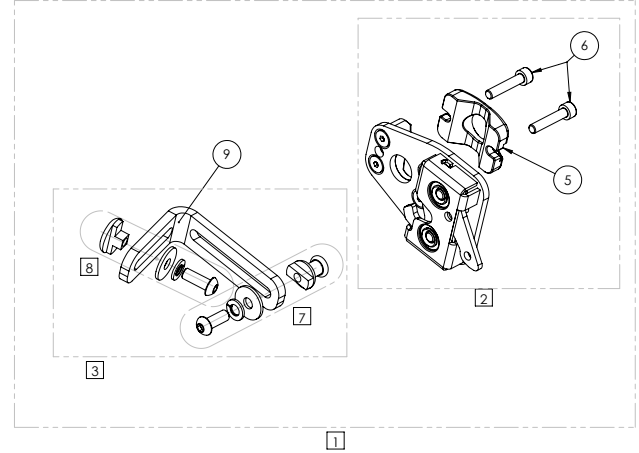
Back Support Hardware: Quad

QUAD MOUNT LEFT UPPER



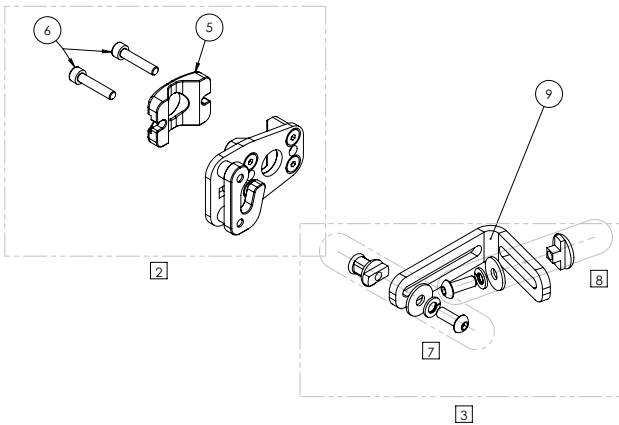
Item	Part Number	Article description	Qty	Qty/Asy
1	A-00885	Quad Mount Left Upper	1	1
Sub Assemblies				
2	A-00085	Clamp Bracket	1	1
3	A-00084	Quad Mount Bracket	1	1
Common parts/sets				
5	P-00292	Outer Clamp Small	1	1
6	0052-4CS0-M5X25BK	M5 x 25 Cap Screw	2	2
7	A-00892	Locking Peg Set	1	1
8	A-00866	6mm T Nut set	1	1
9	P-00388	Quad Mount Bracket Single	1	1

QUAD MOUNT RIGHT UPPER



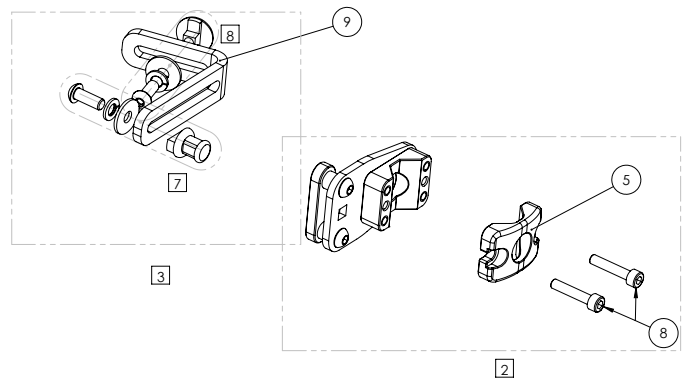
Item	Part Number	Article description	Qty	Qty/Asy
1				
Sub Assemblies				
2	A-00084	Quick Release	1	1
3	A-00524	Quad Mount Bracket	1	1
Common parts/sets				
5	P-00292	30mm Clamp	1	1
6	0052-4CS0-M5X25BK	M5 x 25 Cap Screw	2	2
7	A-00892	Locking Peg Set	1	1
8	A-00866	6mm T Nut set	1	1
9	P-00388	Quad Mount Bracket Single	1	1

QUAD MOUNT LEFT LOWER



Item	Part Number	Article description	Qty	Qty/Asy
1		Quad Mount Left Lower	1	1
Sub Assemblies				
2	A-00088	Left Quad Hook	1	1
3	A-00525	Quad Mount Lower	1	1
4				
Common parts/sets				
5	P-00292	30mm Clamp	1	1
6	0052-4CS0-M5X25BK	M5 x 25 Cap Screw	2	2
7	A-01106	Anti-Tilt Peg Set	1	1
8	A-00866	6mm T Nut Set	1	1
9	P-00388	Quad Mount Bracket	1	1

QUAD MOUNT RIGHT LOWER

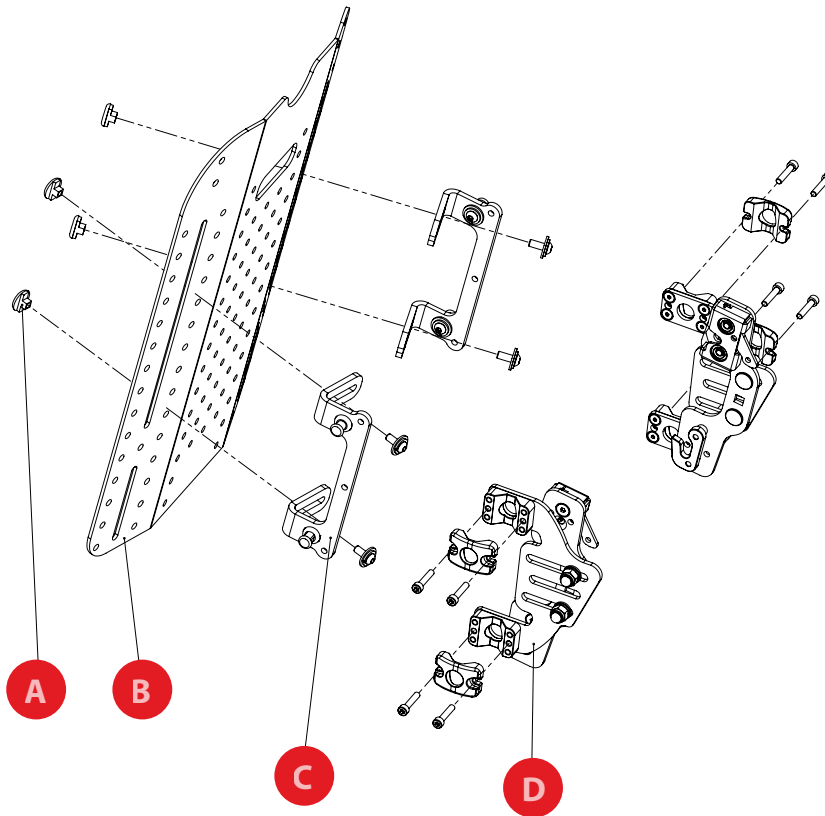


Item	Part Number	Article description	Qty	Qty/Asy
		Quad Mount Right Lower	1	1
Sub Assemblies				
2	A-00089	Right Quad Hook	1	1
3	A-00525	Quad Mount Lower	1	1
Common parts/sets				
5	P-00292	30mm Clamp	1	1
6	0052-4CS0-M5X25BK	M5 x 25 Cap Screw	2	2
7	A-01106	Anti-Tilt Peg Set	1	1
8	A-00866	6mm T Nut Set	1	1
9	P-00388	Quad Mount Bracket	1	1

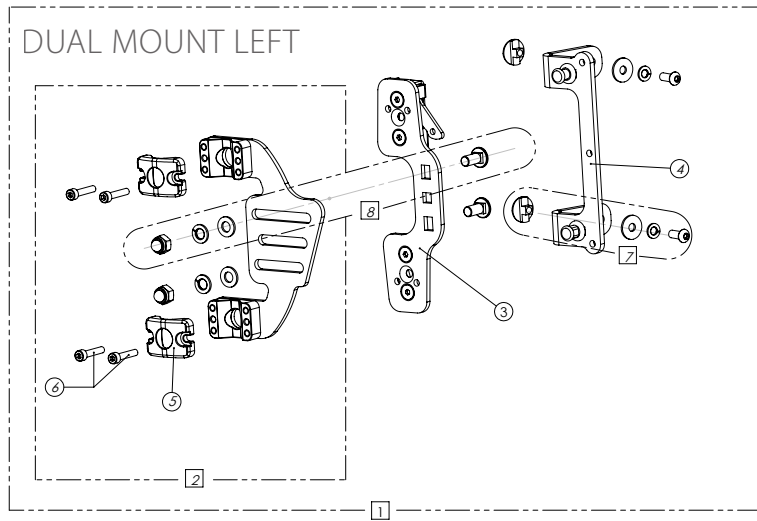
Back Support Hardware: Dual

#	ITEM CODE	COMPONENTS	PER BACK
A	A-00866	T-Slot assembly set - refer pg 20	4
B		Shell - refer Back support pgs 6-12	1
C		2 point mounting bracket	2
E		Dual mount hardware	2

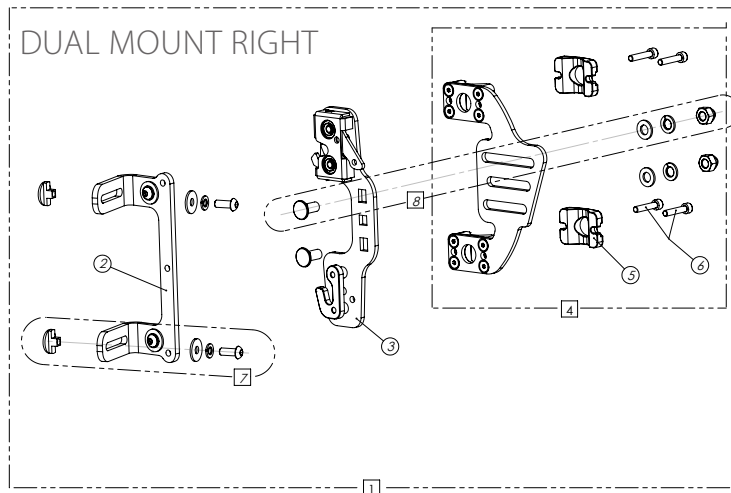
QTY	ITEM CODE	SETS	PER
	1259-2230-100	Dual Mount complete set A + C + D	SET
	1259-2220-100	Dual mount for second chair D	SET



Back Support Hardware: Dual



Item	Part Number	Article description	Qty	Qty/Asy
1	A-00889	All parts of Dual Mount Left	1	1
Sub Assemblies				
2	A-00115	Clamp Bracket	1	2
3	A-00114	Catch Bracket	1	1
4	A-00117	Pin Bracket	1	1
Individual parts/sets				
5	P-00292	Outer Clamp Small	1	2
6	0052-4CS0-M5X25BK	M5 x 25 Cap Screw	2	4
7	A-00866	6mm T Nut set	1	2
8	A-00867	M8 Square nut set	1	2



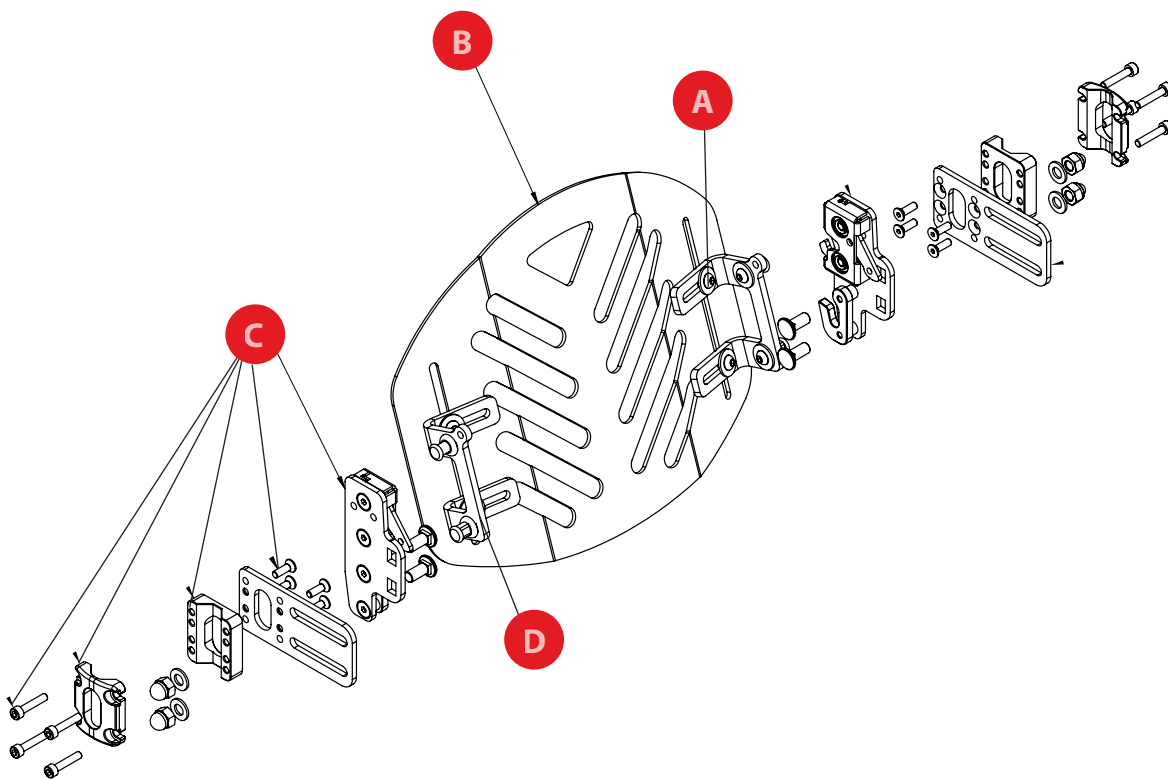
Item	Part Number	Article description	Qty	Qty/Asy
1	A-00890	Dual Mount Right	1	1
Sub Assemblies				
2	A-00115	Pin Bracket	1	1
3	A-00113	Catch Bracket	1	1
4	A-00112	Clamp Bracket	1	1
Common parts/sets				
5	P-00292	Outer Clamp Small	1	2
6	0052-4CS0-M5X25BK	M5 x 25 Cap Screw	2	4
7	A-00866	6mm T Nut set	1	2
8	A-00867	M8 Square nut set	1	2

Back Support Hardware: Single

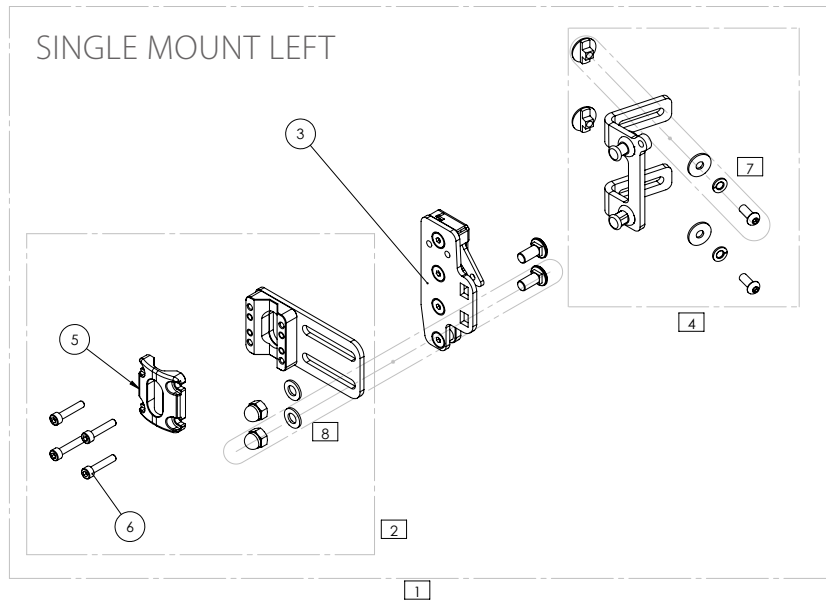
#	ITEM CODE	COMPONENTS	PER BACK
A	A-00866	T-Slot assembly set - refer pg 20	4
B		Shell - refer Back support pgs 6-12	1
C		Single mount assembly	2
D		Single mount bracket	2

QTY	ITEM CODE	SETS	PER
	1259-2130-100	Single Mount complete set A + C + D	SET
	1259-2120-100	Single mount for second chair C	SET

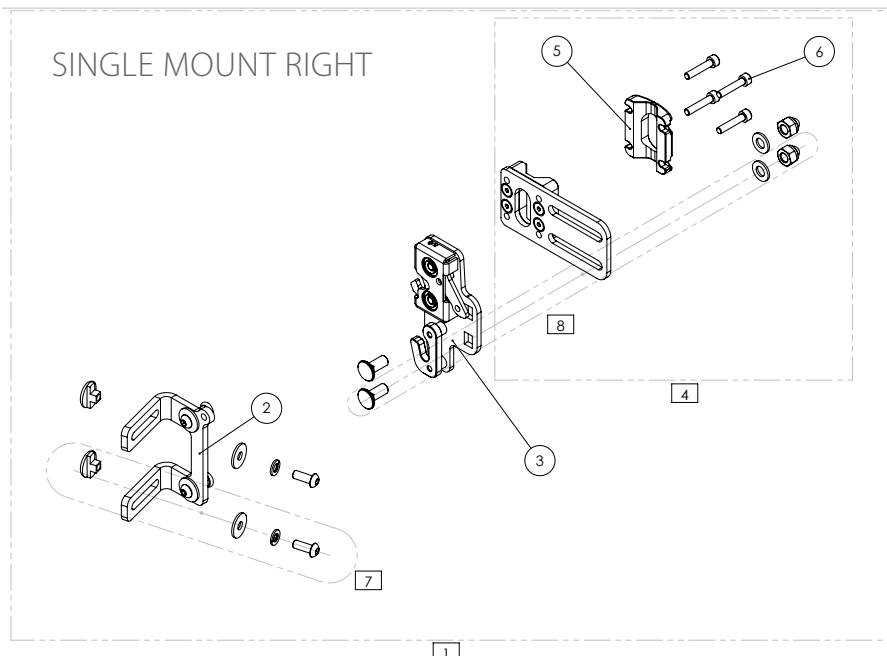
Single Mount hardware is suitable for back supports up to 18" in height



Back Support Hardware: Single



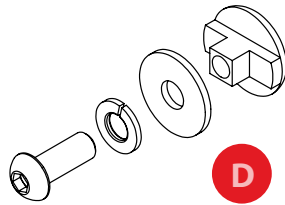
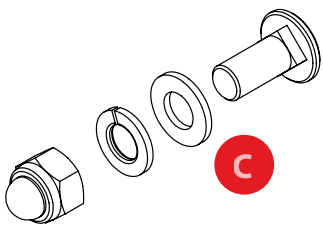
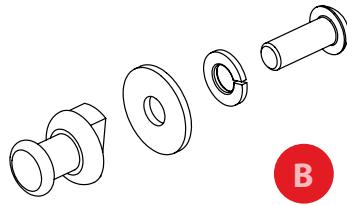
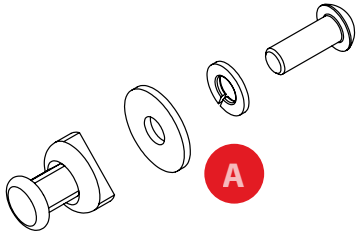
Item	Part Number	Article Description	Qty	Qty/Asy
1		Single Mount Left	1	1
Sub Assemblies				
2	A-00129	Single Mount Asy	1	1
3	A-00121	Backrest Mount Left	1	1
4	A-01032	Single Mount Bracket Left	1	1
Common Parts				
5	P-00469	50mm Clamp	1	1
6	0052-4CS0-M5X25BK	M5 x 25 Cap Screw	4	4
7	A-00866	6mm T Nut Set	1	2
8	A-00867	M8 Square Nut Set	1	2



Item	Part Number	Article Description	Qty	Qty/Asy
1		Single Mount Right	1	1
Sub Assemblies				
2	A-01031	Single Mount Bracket Right	1	1
3	A-00128	Backrest Mount Right	1	1
4	A-00129	Single Mount Asy	1	1
Common Parts				
5	P-00469	50mm Clamp	1	1
6	0052-4CS0-M5X25BK	M5 x 25 Cap Screw	4	4
7	A-00866	6mm T Nut Set	1	2
8	A-00867	M8 Square Nut Set	1	2

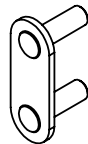
Back Support Fastener Kits

QTY	#	ITEM CODE	FASTENER KIT	PER
	A	A-01106	Anti-Tilt locking peg set	EA
	B	A-00892	Locking peg set	EA
	C	A-00867	Square neck bolt set	EA
	D	A-00866	T-Slot assembly set	EA

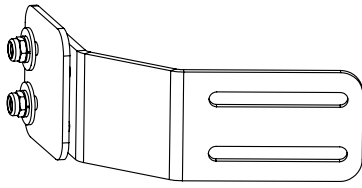


QTY CODE **FIXING STUDS**

	1258-0030-100	16 mm fixing stud
	1258-0031-100	20 mm fixing stud
	1258-0032-100	25 mm fixing stud



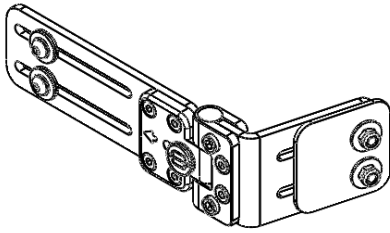
Lateral Trunk Support Hardware



FIXED BRACKET

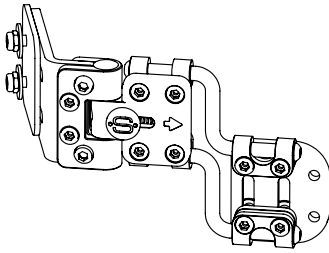
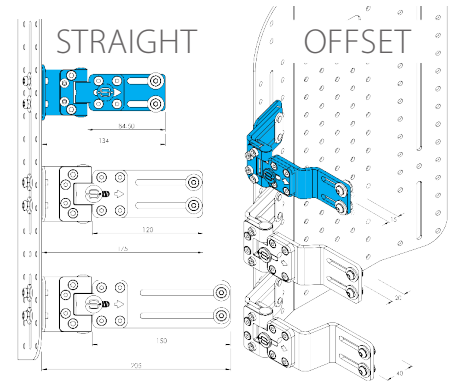
QTY	STYLE	CODE
	Fixed	1267-2101-100
	Kidz Fixed	1267-2111-100

Narrow Curved pad unavailable with Fixed Bracket



STANDARD SWING-AWAY

QTY	STYLE	CODE
	Swing-Away, straight	1267-2201-100
	Kidz Swing-Away, straight	1267-2211-100
	Swing-Away, straight extend	1267-2202-100
	Swing-Away, offset 20mm	1267-2203-100
	Kidz SwingAway, offset 15mm	1267-2213-100
	Swing-Away, offset 40mm	1267-2204-100

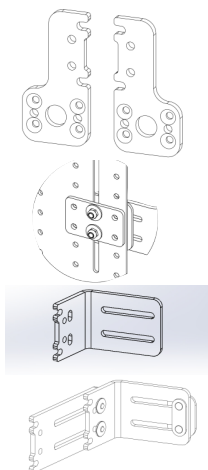


SWING-AWAY AXIAL

QTY	STYLE	CODE
	Axial	1267-2301-100
	Kidz Axial	1267-2311-100

BRACKET UPGRADE OPTIONS

Unavailable for Kidz brackets



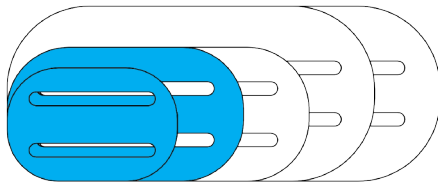
QTY	STYLE	AVAILABLE FOR			CODE
		FIXED	S/AWAY	AXIAL	
	Cane Mounts. For attachment directly to wheelchair canes.				
	Left Cane Mount	✗	✓	✓	1266-2411-100
	Right Cane Mount	✗	✓	✓	1266-2412-100
	Reinforcement plate. For forceful side leaning or clients over 100 kg.	✓	✓	✓	1266-2450-100
	Deep Contour Bracket Kit: extends depth by 30 mm.	✗	✓	✓	1266-2420-100
	Deep Contour Extended Bracket Kit: extends depth up to 115 mm (Generally used with Supershape Back Supports with extensive contouring).	✗	✓	✓	1266-2430-100

Lateral Trunk Support Pads

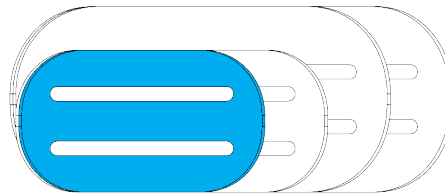


PAD STYLE	HEIGHT (mm)	DEPTH (mm)	QTY	PAD WITH STD COVER	QTY	PAD WITH COMFY-COVER	QTY	STD COVER ONLY	QTY	COMFY-COVER ONLY
Narrow Straight 0	85	115		1267-3010-400		1267-3010-800		1267-3610-600		1267-3610-800
Narrow Straight 1	95	145		1267-3011-400		1267-3011-800		1267-3611-600		1267-3611-800
Narrow Straight 2	95	180		1267-3012-400		1267-3012-800		1267-3612-600		1267-3612-800
Narrow Straight 3	115	210		1267-3013-400		1267-3013-800		1267-3613-600		1267-3613-800
Narrow Straight 4	115	240		1267-3014-400		1267-3014-800		1267-3614-600		1267-3614-800
Narrow Curved 1	95	145		1267-3021-400		1267-3021-800		1267-3621-600		1267-3621-800
Narrow Curved 2	95	180		1267-3022-400		1267-3022-800		1267-3622-600		1267-3622-800
Narrow Curved 3	115	210		1267-3023-400		1267-3023-800		1267-3623-600		1267-3623-800
Narrow Curved 4	115	240		1267-3024-400		1267-3024-800		1267-3624-600		1267-3624-800
Broad 1	105	130		1267-3031-400		1267-3031-800		1267-3631-600		1267-3631-800
Broad 2	125	140		1267-3032-400		1267-3032-800		1267-3632-600		1267-3632-800
Broad 3	140	150		1267-3033-400		1267-3033-800		1267-3633-600		1267-3633-800
Broad 4	160	155		1267-3034-400		1267-3034-800		1267-3634-600		1267-3634-800
Broad 5	195	165		1267-3035-400		1267-3035-800		1267-3635-600		1267-3635-800
Broad 6	230	175		1267-3036-400		1267-3036-800		1267-3636-600		1267-3636-800

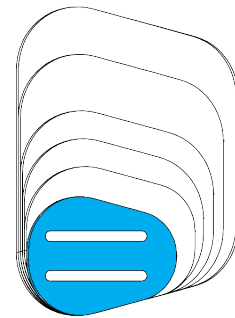
NARROW STRAIGHT



NARROW CURVED



BROAD



QTY	ITEM CODE	ITEM
	1262-3850-800	Comfy-cover easy-release strap only Specify lateral size: _____



FABRIC CUSTOM OPTIONS

QTY	Default			
TYPE	Neoprene both sides	GlideWear anti-shear fabric on internal face	Spextex. Wipe-down, waterproof	Spextex. Knitted side fabric finish
CODE		1261-3849-295	1261-3849-209	1261-3849-219

OTHER CUSTOM OPTIONS

QTY				
CUSTOM	½" SunMate® overlay: internal/top surface	½" Gel-foam overlay: internal/top surface	Neoprene sleeve to protect hardware	Other customisation, specify:
CODE	1261-3846-400	1261-3847-400	1261-3848-400	1261-5839-400

Medial Thigh Support

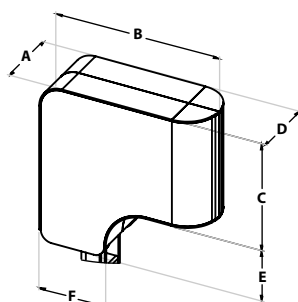
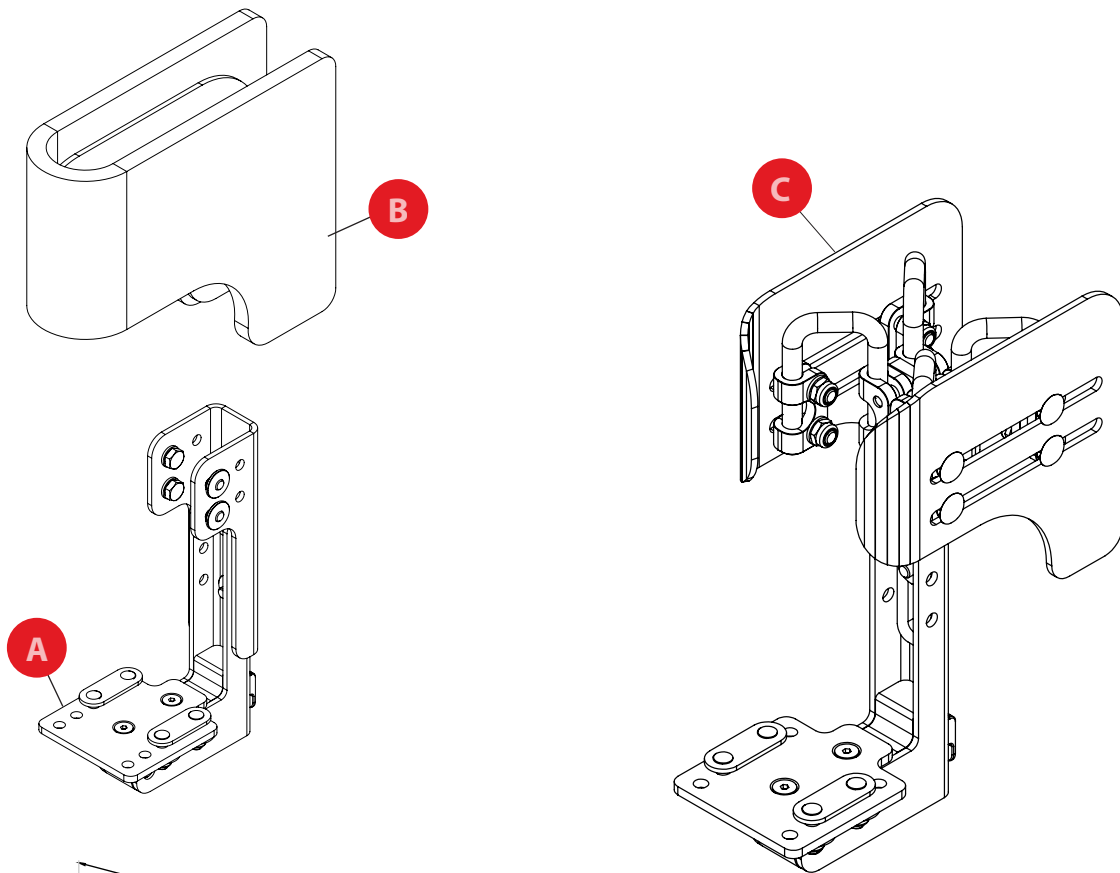
QTY	#	ITEM CODE	DESCRIPTION	PER
	A	1162-1510-100	Swing-down, lift-off mechanism only	EA
	B		Standard Pad with cover	EA
		1162-1531-400	Size 1	
		1162-1532-400	Size 2	
		1162-1533-400	Size 3	
	B		Standard Pad, cover only	EA
		1162-1541-600	Size 1	
		1162-1542-600	Size 2	
		1162-1543-600	Size 3	

QTY	ITEM CODE	CUSTOMISATIONS
	1160-1579-209	Spextex. Wipe-down, waterproof finish*
	1160-1579-219	Spextex. Knitted side fabric finish*
	1160-1579-295	GlideWear anti-shear fabric

* Standard pad only

QTY	#	ITEM CODE	DESCRIPTION	PER
	C		Axial-Adjust Pad with cover	EA
		1162-1631-400	Size 1	
		1162-1632-400	Size 2	
		1162-1633-400	Size 3	
	C		Axial-Adjust Pad, cover only	EA
		1162-1641-600	Size 1	
		1162-1642-600	Size 2	
		1162-1642-600	Size 3	

QTY	ITEM CODE	CUSTOMISATIONS
	1160-1576-000	½" SunMate® foam overlay
	1160-1577-000	½" Gel-Foam Overlay

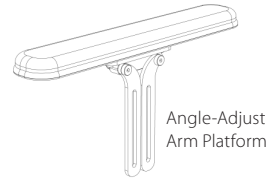
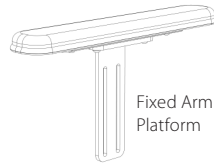


DIMENSIONS	SIZE	A (mm)	B (mm)	C (mm)	D (mm)	E (mm)	F (mm)
STANDARD PAD	1	60	145	95	40	40	65
	2	60	155	100	60	50	65
	3	60	185	105	60	60	75
AXIAL-ADJUST PAD	1	70-140	145	95	50-120	40	65
	2	70-140	155	100	60-140	50	65
	3	70-160	185	105	60-140	60	75

Arm/Thigh Support Components

(A)

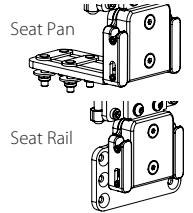
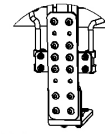
ARM PLATFORMS	QTY	ITEM CODE
Fixed Arm Platform		1156-0100-000
Fixed Kidz Arm Platform		1156-0200-000
Angle-Adjust Arm Platform		1156-0300-000



Arm Pad not included with Platforms - See (D)

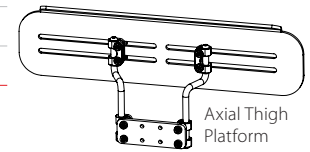
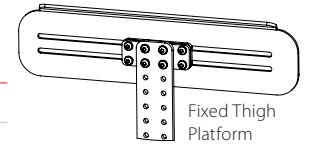
(B)

ARM/THIGH MOUNTS	QTY	QUICK RELEASE	QTY	SWING-DOWN	QTY	FIXED MOUNT
Seat Pan		1156-0000-110		1156-0000-120		1156-0000-130
Seat Rail		1156-0000-210		1156-0000-220		1156-0000-230



(C) THIGH PLATFORMS

	FOR QUICK-RELEASE QTY OR SWING-DOWN	FOR FIXED QTY MOUNT
Fixed Thigh Platform for Thigh support only	1156-0012-000	1156-0022-000
Fixed Thigh Platform for Combo Arm/Thigh support	1156-0032-000	1156-0042-000
Axial Thigh Platform for Thigh support only	1156-0011-000	1156-0021-000
Axial Thigh Platform for Combo Arm/Thigh support	1156-0031-000	1156-0041-000



Thigh Pad not included with Platforms - See (E)

(D) ARM SUPPORT PADS

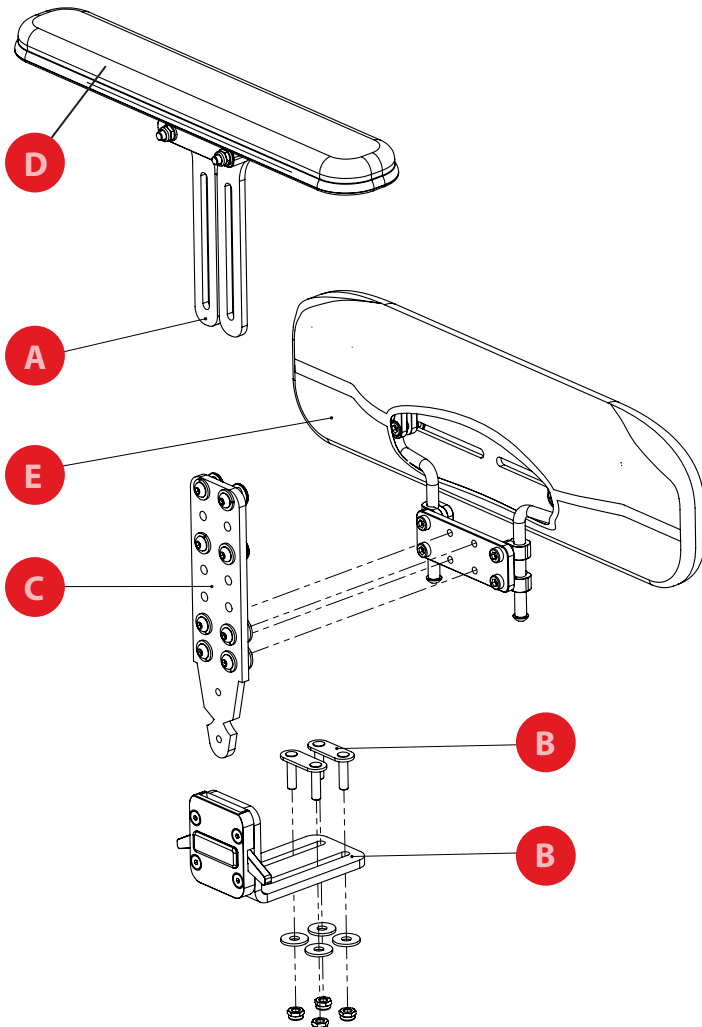
QTY	ITEM CODE	SIZE	A (mm)	B (mm)	PER
	1156-5811-400	1 Narrow	40	250	EA
	1156-5812-400	2 Narrow	50	300	EA
	1156-5813-400	3 Narrow	60	350	EA
	1156-5821-400	1 Wide	70	250	EA
	1156-5822-400	2 Wide	80	300	EA
	1156-5823-400	3 Wide	90	350	EA
	1156-5829-400	Custom	XX	XX	EA

(E) THIGH SUPPORT PADS

QTY	ITEM CODE	SIZE	A (mm)	B (mm)	E (mm)	PER
	1156-1010-400	10"	250	75	25	EA
	1156-1012-400	12"	300	80	25	EA
	1156-1014-400	14"	350	90	25	EA
	1156-1016-400	16"	400	100	25	EA
	1156-1018-400	18"	430	100	25	EA
	1156-1020-400	20"	450	100	25	EA
	1156-1029-400	Custom	XX	XX	XX	EA

(E) THIGH SUPPORT PAD CUSTOMISATIONS

QTY	ITEM CODE	CUSTOMISATION
	1153-1147-400	1/2" Gel-Foam Overlay
		Custom fabric on thigh support cover
	1153-1149-209	Spextex. Wipe-down, waterproof finish
	1153-1149-219	Spextex. Knitted side fabric finish
	1153-1149-295	GlideWear anti-shear fabric: internal face

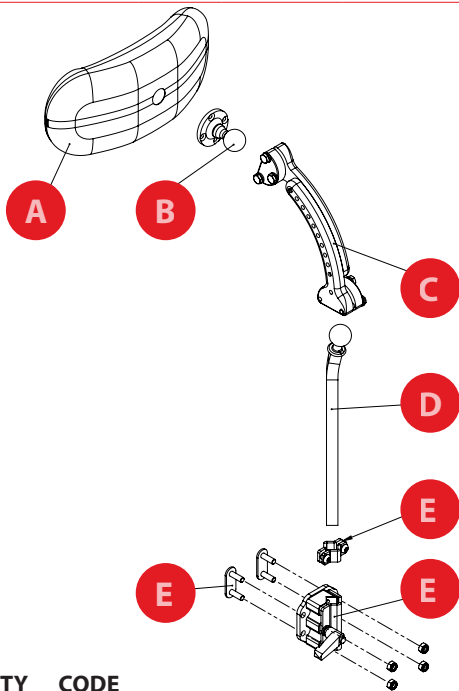


Head Supports

	SIZE	PAD WIDTH	PAD HEIGHT	QTY	(A) PAD & COVER	PER	QTY	(A) COVER ONLY	PER
COMPACT	COM	250 mm	100 mm		1271-4331-300	EA		1271-4631-600	EA
	CUS	XX	XX		1271-4339-300	EA		1271-4611-600	EA
SQUARE	SML	200 mm	160 mm		1271-4311-300	EA		1271-4611-600	EA
	LGE	240 mm	200 mm		1271-4312-300	EA		1271-4612-600	EA
	CUS	XX	XX		1271-4319-300	EA		1271-4619-600	EA
CONTOUR	SML	285 mm	115 mm		1271-4321-300	EA		1271-4621-600	EA
	LGE	340 mm	165 mm		1271-4322-300	EA		1271-4622-600	EA
	CUS	XX	XX		1271-4329-300	EA		1271-4629-600	EA
COMFI	STD	270 mm	150 mm		1271-4351-300	EA		1271-4651-600	EA
	EXD	270 mm	165 mm		1271-4352-300	EA		1271-4652-600	EA
	CUS	XX	XX		1271-4359-300	EA		1271-4659-600	EA
ADJUSTABLE LATERAL	SML	200 mm	160 mm		1271-4341-300	EA		1271-4641-600	SET
	LGE	240 mm	200 mm		1271-4342-300	EA		1271-4642-600	SET
	CUS Rear Pad		XX x XX		1271-4348-300	EA		1271-4648-600	EA
	CUS Wing Pads		XX x XX		1271-4349-300	PR		1271-4649-600	PR
					1272-4151-100	Adjustable wing bracket complete	EA		



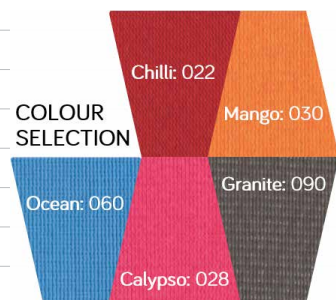
Lateral wing size = 8 x 15 cm



QTY	#	ITEM CODE	DESCRIPTION	PER
	B	1272-4179-100	Ball joint mount, stainless steel	EA
	C	1272-4185-100	Zoom top arm assembly only	EA
	D	1272-4154-100	Vertical tube & ball, stainless steel	EA
	E	1272-4160-100	Mount for backrest attachment	EA
	F	1272-4150-100	Standard mechanism complete	EA
	G	1272-4180-100	Zoom mechanism complete	EA



QTY	CODE	MODIFICATIONS	PER
	1271-5879-000	Custom headrest pad thickness (specify)	mm EA
	1271-0019-000	½ inch soft pressure-relieving SunMate® foam overlay	EA
		Custom fabric choice for head support cover	
	1271-0039-209	Spextex. Wipe-down, waterproof finish	EA
	1271-0039-219	Spextex. Knitted side fabric finish	EA
	1271-0039-291	Neoprene	EA
	1271-0039-295	GlideWear anti-shear fabric	EA
	1271-4691-028	Change headrest rear panel to Calypso pink	EA
	1271-4691-022	Change headrest rear panel to Chilli red	EA
	1271-4691-030	Change headrest rear panel to Mango orange	EA
	1271-4691-060	Change headrest rear panel to Ocean blue	EA
	1271-4691-090	Change headrest rear panel to Granite grey	EA



Harnesses & Hip Belts

FOOT FAST MOUNTING KITS



QTY	ITEM CODE	DESCRIPTION	PER
	1400-6160-000	Spare mounting kit for Foot Fast	KIT
	1400-6165-000	Spare mounting kit for Foot Fast with rear posterior retainer straps	KIT

HIP BELT MOUNTING KITS



QTY	ITEM CODE	DESCRIPTION	PER
	1400-6151-000	Hip belt attachment hardware 25 mm	KIT
	1400-6152-000	Hip belt attachment hardware 38 mm	KIT
	1400-6153-000	Hip belt attachment hardware 50 mm	KIT

SIZE MOUNT KIT

XSM	25 mm x 2
SML	25 + 38 mm
MED	25 + 38 mm
LGE	25 + 50 mm

HARNESS MOUNTING KITS



QTY	ITEM CODE	DESCRIPTION	FITS HARNESS SIZE	PER
	1400-6155-000	Harness mounting kit 25 mm	XSM, SML, MED	KIT
	1400-6156-000	Harness mounting kit 38 mm	LGE, XLG	KIT

HARNESS & HIP BELT MOUNTING HARDWARE



QTY	ITEM CODE	DESCRIPTION	PER
	1400-6025-022	Harness mount 25 mm stainless steel	EA
	1400-6038-022	Harness mount 38 mm stainless steel	EA
	1400-6050-022	Harness mount 50 mm stainless steel	EA
	1400-6525-199	Tri-bar adjuster 25 mm plastic	EA
	1400-6538-199	Tri-bar adjuster 38 mm plastic	EA
	1400-6550-199	Tri-bar adjuster 50 mm plastic	EA
	1400-6525-022	Tri-bar adjuster 25 mm stainless steel	EA
	1400-6538-022	Tri-bar adjuster 50 mm stainless steel	EA
	1400-6550-022	Tri-bar adjuster 38 mm stainless steel	EA

SHOULDER STRAP GUIDES/RETAINER



	1400-6692-000	Includes pair of shoulder strap guides and all attachment hardware	PR
--	---------------	--	----

Tray Tables



TRAY TOP ONLY

QTY	SIZE	WIDTH	DEPTH	BLACK ABS TRAY TOP	QTY	CLEAR POLYCARBONATE TRAY TOP
	Small	450 mm	450 mm	1311-7411-100		1311-7401-100
	Medium	550 mm	550 mm	1311-7412-100		1311-7402-100
	Large	650 mm	650 mm	1311-7413-100		1311-7403-100
	Custom	XX	XX	1311-7419-100		1311-7409-100

TRAY TOP CUSTOMISATIONS

QTY	ITEM CODE	CUSTOMISATION	WIDTH	DEPTH	PER
	1311-7299-000	Custom stomach region cut-out	XX	XX	EA
	1311-7301-400	Elbow pads to reduce pressure/shear	XX	XX	PR