
HOGGI[®]



SHERPA Spare parts catalogue

en

Index

1	SHERPA Model identifikation	4-5
1.1	Serial number	4
2	SHERPA model over view and basic equipment	6-78
2.1	Base frame	6
2.2	Tilting unit	7
2.3	Latch unit	8
2.4	System-Profil-seat frame	9
2.5.1	System back frame with Phy. pivot point	10
2.5.2	Universal backrest frame with Phy. pivot point	11
2.5.2	Parts list for Universal backrest frame with Phy. pivot point	12
2.6	Backrest for system backrest frame for seat shells	13
2.7	Back joint for system back frame with Phy. pivot point	14
2.8	Tilt adjustment	15
2.9	Push handel	16
2.10	Push bar	17
2.11	Clamp unit for Push variants	18
2.12	Rear wheels 12" and 16"	19
2.13	Rear wheels 22" and 24"	20
2.14	Standard knee lever brakes for 12 „and 16“ wheels	21
2.15	Standard knee lever brakes for „and 16“ wheels 22“ und 24“	22
2.16	HOGGI light Break für 22“ und 24“	23
2.17	Chamber adapter 22“ und 24“	24
2.18	Front wheels	25
2.19	Aluminium Caster fork	26
2.20	Plastic Caster fork	27
3.1	Drum break 12“ und 16“	28
3.2	Drum break 22“ und 24“	29
3.3	Components for drum break	30
3.4	Variante Radabdeckungen	31
3.5	Wheel cover	32
3.6	Wheel cover with integrated break	33
3.7	Integrated Break	34
3.8	Break lever	35
3.9	Break	36
3.10	Wheel cover with arm rest	37
3.11	Wheel cover with integrated break and arm rest	38
3.12	Arm rest carrier	39
3.13	Spoke protection	40
3.14	Foot rest hanger 90°	41
3.15	Foot rest hanger, angle adjustable	42
3.16	Single foot rest hanger, angle adjustable	43
3.17	Foot rest bracket flyp up type	44
3.18	Foot rest bracket, fly up type, lockable	45
3.19	Single foot rest bracket	46
3.20	Foot rest	47

Index

3.21 Vario footboard, options	48
3.22 Vario footrest hanger 80°	49-50
3.23 Plastic foot rest, standard	51
3.24 Plastic foot rest, angle adjustable, flip up type	52-53
3.25 Aluminium foot rest, angle adjustable, foldable and swiveling	54-55
3.26 Tie down kit	56
3.27 Power knots (AMF-Bruns)	57
3.28 Anti tipper	58
3.29 Anti tip and und tipper aid	59
3.30 Console head support holder, universal	60
3.31 Headrest with occipital pad	61
3.32 Seat height raiser	62
3.33 Container	63
3.34 Container holder	64
3.35 Armrest, swiveling and angle-adjustable	65
3.36 Therapy tray	66
3.37 Clamping unit Therapy tray	67
3.38 Back guide with length compensation	68
3.39 Precision trapezoidal adapter	69
3.39 Parts list Precision trapezoidal adapter	70
3.40 Foot rest hanger adapter , standard	71
3.41 Seat panel	72
3.42 Back panel	73
3.43 Abduction block	74
3.44 Hip support	75
3.45 Hip belt guide	76
3.46 Seat cushion and back cushion	77
3.46 Contoured seat cushion	77
3.47 Material for special construction's / system profile	78



NOTE, for the service staff!

The sliding blocks can be used anywhere in the profile groove.
Make sure that the sliding blocks are straight in the groove.

The screws for fastening the sliding blocks in the system profiles, must be tightened with a maximum torque of 10 Nm.

Spare parts

1 Modellidentifikation

The label with the serial number is placed on the back of the axle tube.

Please give us the Serial number with every spare part order, to ensure a correct delivery.

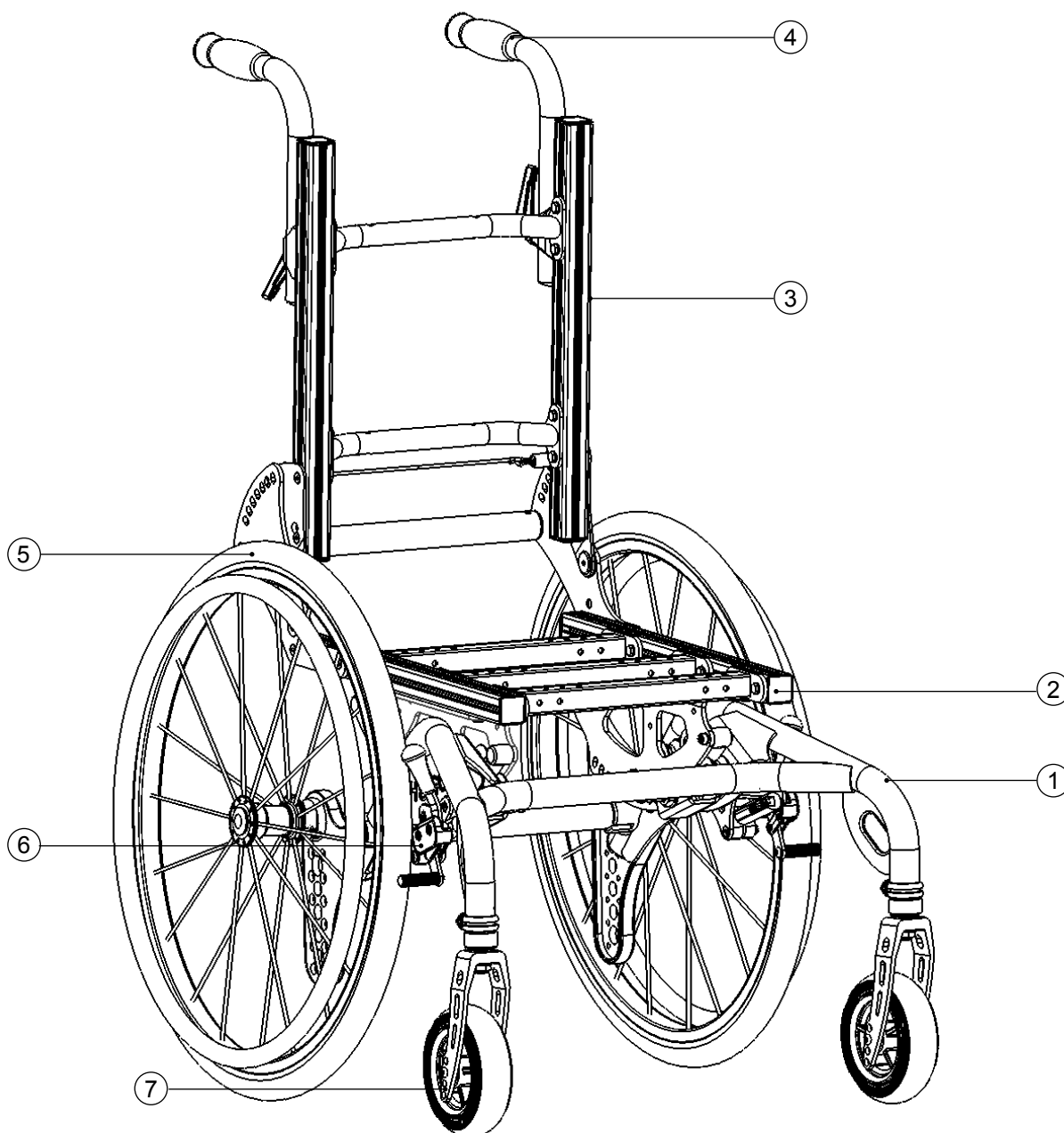
The image shows three identical labels for a HOGGI SHERPA System-Rollstuhl. Each label contains the following information:

- HOGGI®** logo and company details: HOGGI GmbH, Eulerstraße 27, D-56235 Ransbach-Baumbach, MADE IN GERMANY.
- SHERPA** System-Rollstuhl product name.
- Model designation: 3007-00SB-XXX.
- Maximum load: 134 kg.
- CE mark.
- Barcode.
- Serial number: SN 2017XXXXXX.

Callouts on the right side of the labels explain the components:

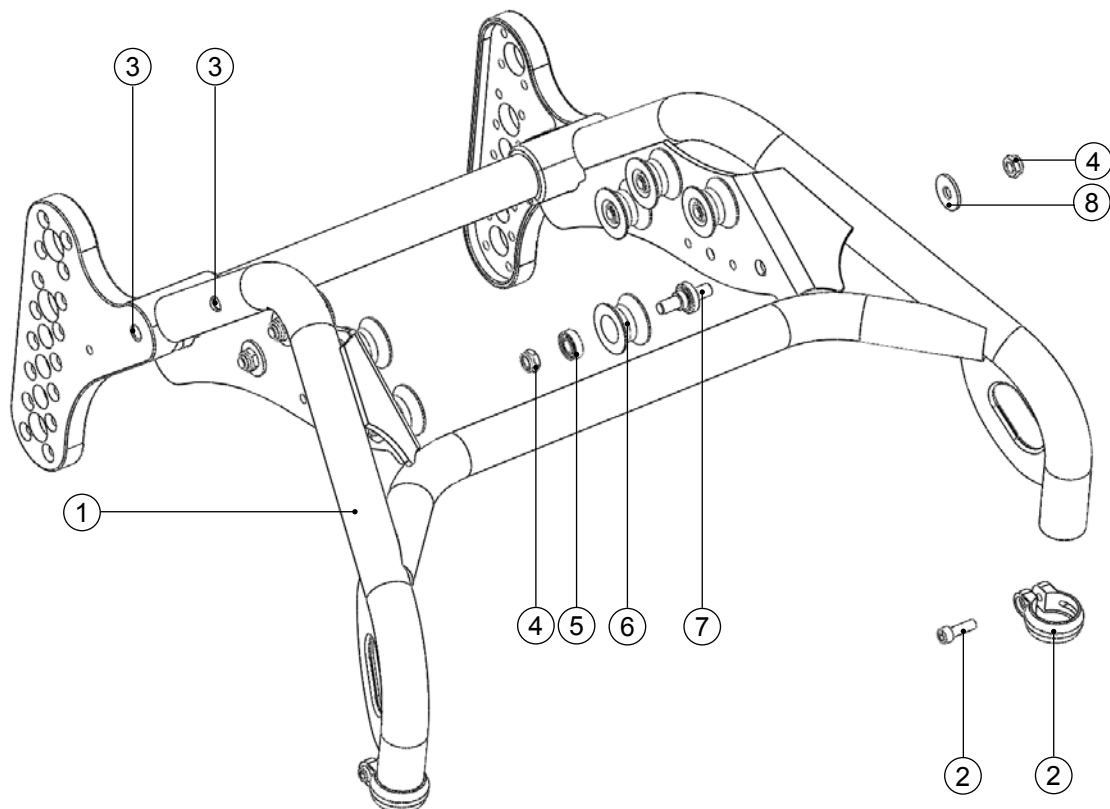
- XXX = 000 = Colour code
- SB=SW=Seat width
- Serial number
- CE-Identification
- Type designation, Product name
- Maximum user weight/ Maximum load
- Manufacturer
- Manufactur
- Year of manufactur

Spare parts



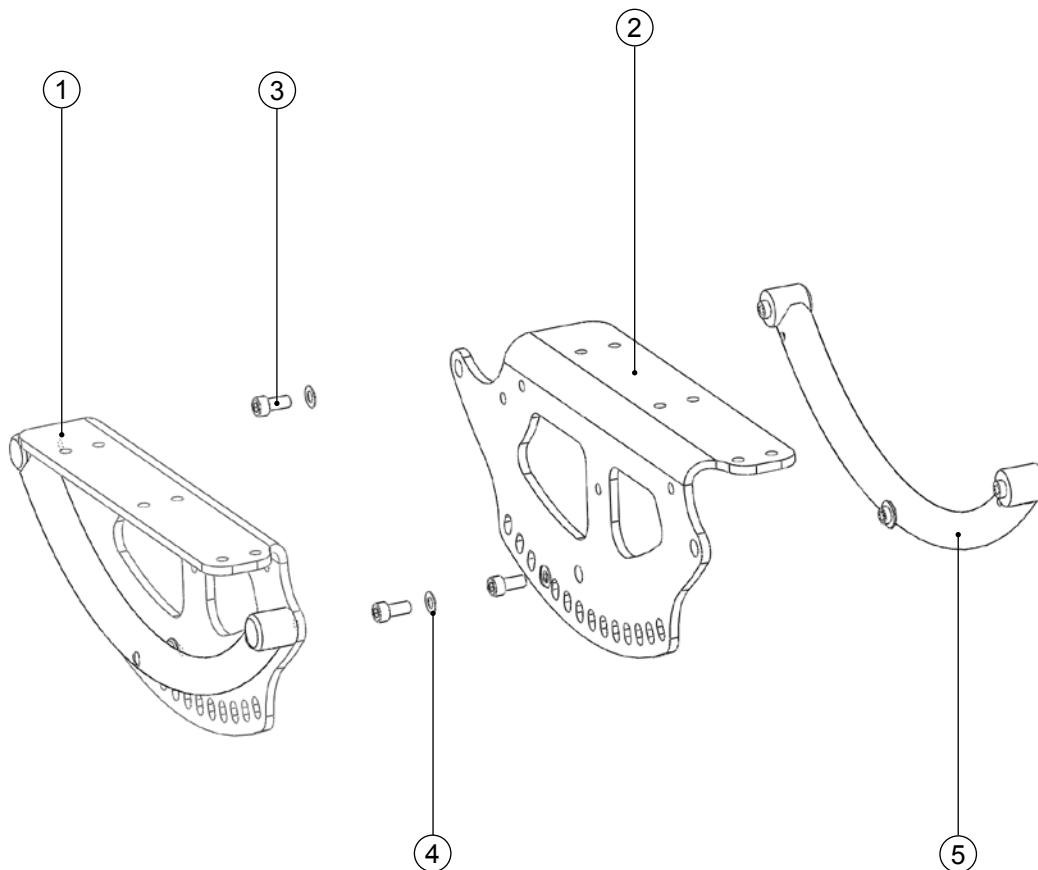
Pos	Article number	Articel description	Page
1	3006-11SWE-XXX	Base frame	7
2	3006-24XX	System-Profile-Seat frame	9
3	3006-3XSW	System-Profile-Back frame	10
4	3006-5100	Handle bar	15
	3006-55SW	Push bar (not shown)	16
5	1298-XXXX	Rear wheels	18-19
6	3007-170X	Standard Knee lever break	20-21
	3007-1XXX	HOGGI light break (not shown)	22
7	1250-101X	Caster fork with front wheels	24-26

Spare parts



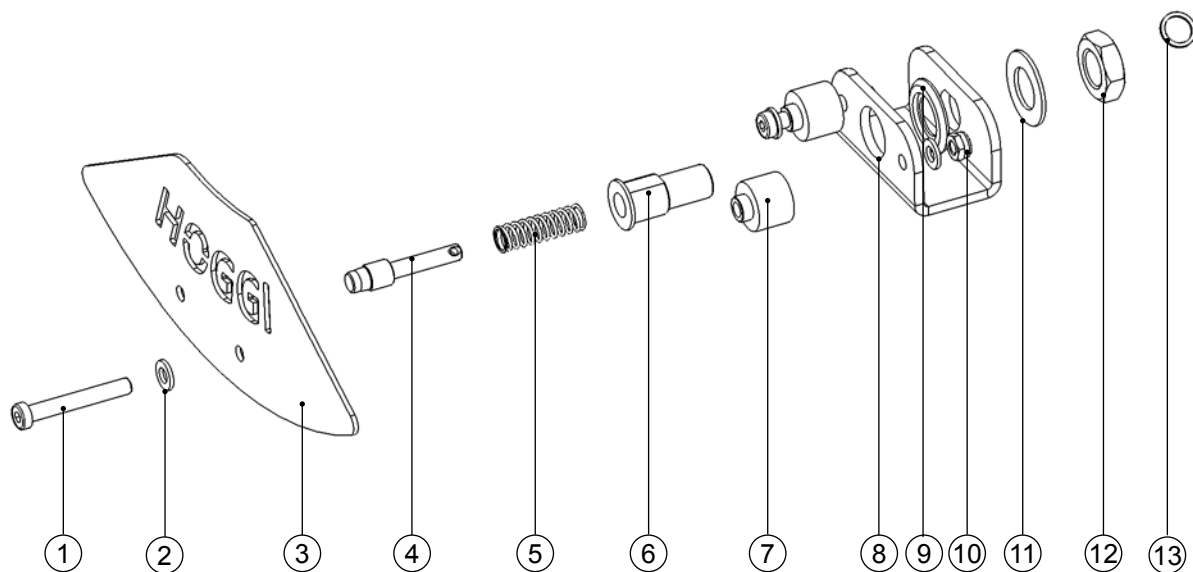
Pos	Article number	Articel description	Quantity	Unit
1-3	3006-11SBE-000	Base frame, complete	1	Set
1	3006-11SB	Base frame, complete	1	Pc.
2	1129-0010	Saddle clamp d 29,8 mm black	2	Pc.
3	1049-0061	Rivet nut steel countersunk head 90° M6x9x17	4	Pc.
4-9	3006-1141E	Supporting role, complete	1	Set
4	1042-0008	Hexagon nut self-locking M8	16	Pc.
5	1090-0001	Grooved ball bearing D19xd8x6	8	Pc.
6	3006-1141	Supporting role	8	Pc.
7	3006-1142	Axle supporting role	8	Pc.
8	1055-0008	Washer A8,4	4	Pc.
9	1051-0008	Washer A8.4	4	Pc.

Spare parts



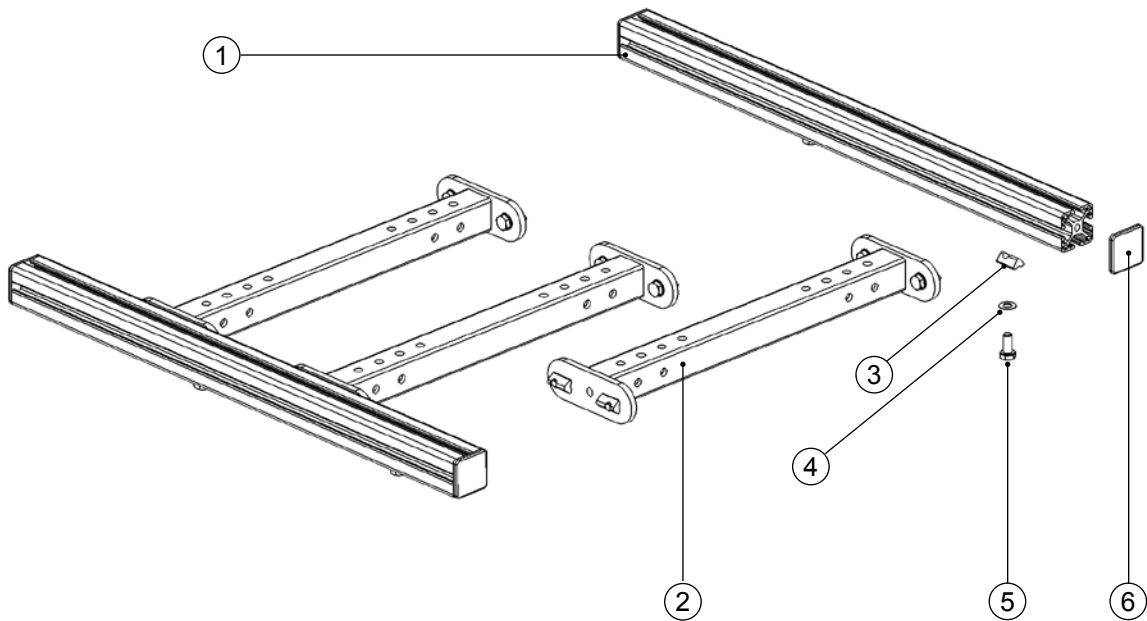
Pos	Article number	Articel description	Quantity	Unit
1-5	3006-1500E	Tilt unit, complete	1	Set
1	3006-1511-015	Seat frame carrier, left	1	Pc.
2	3006-1521-015	Seat frame carrier, right	1	Pc.
3	1021-0616	Hexagon socket head cap screw M6x16	6	Pc.
4	1052-0006	Spring washer B6	6	Pc.
5	3006-1570-015	Skid runner	2	Pc.

Spare parts



Pos	Article number	Articel description	Quantity	Unit
1-13	3006-1560E	Latch unit, complete	1	Pair
1	1022-0645	Hexagon socket head cap screw M6x45	4	Pc.
2	1051-0006	Washer A6,4	8	Pc.
3	3006-1151-051	Cover HOGGI left Chrome Premium	1	Pc.
	3006-1152-051	Cover HOGGI right Chrome Premium	1	Pc.
4	3240-2422	Locking bolt	2	Pc.
5	1131-0070	Compression D-162	2	Pc.
6	3246-1145	bolt housing	2	Pc.
7	3006-1731	Bushing 20x6x20	4	Pc.
8	3006-1562	Holder latch housing	2	Pc.
9	3248-3013	Thrust washer	2	Pc.
10	1042-0006	Hexagon nut self-locking M6	4	Pc.
11	1052-0016	Spring washer B16	2	Pc.
12	1040-0016	Hexagon nut BM 16x 1,5	2	Pc.
13	1129-0036	Key ring 16x1,6	2	Pc.

Spare parts

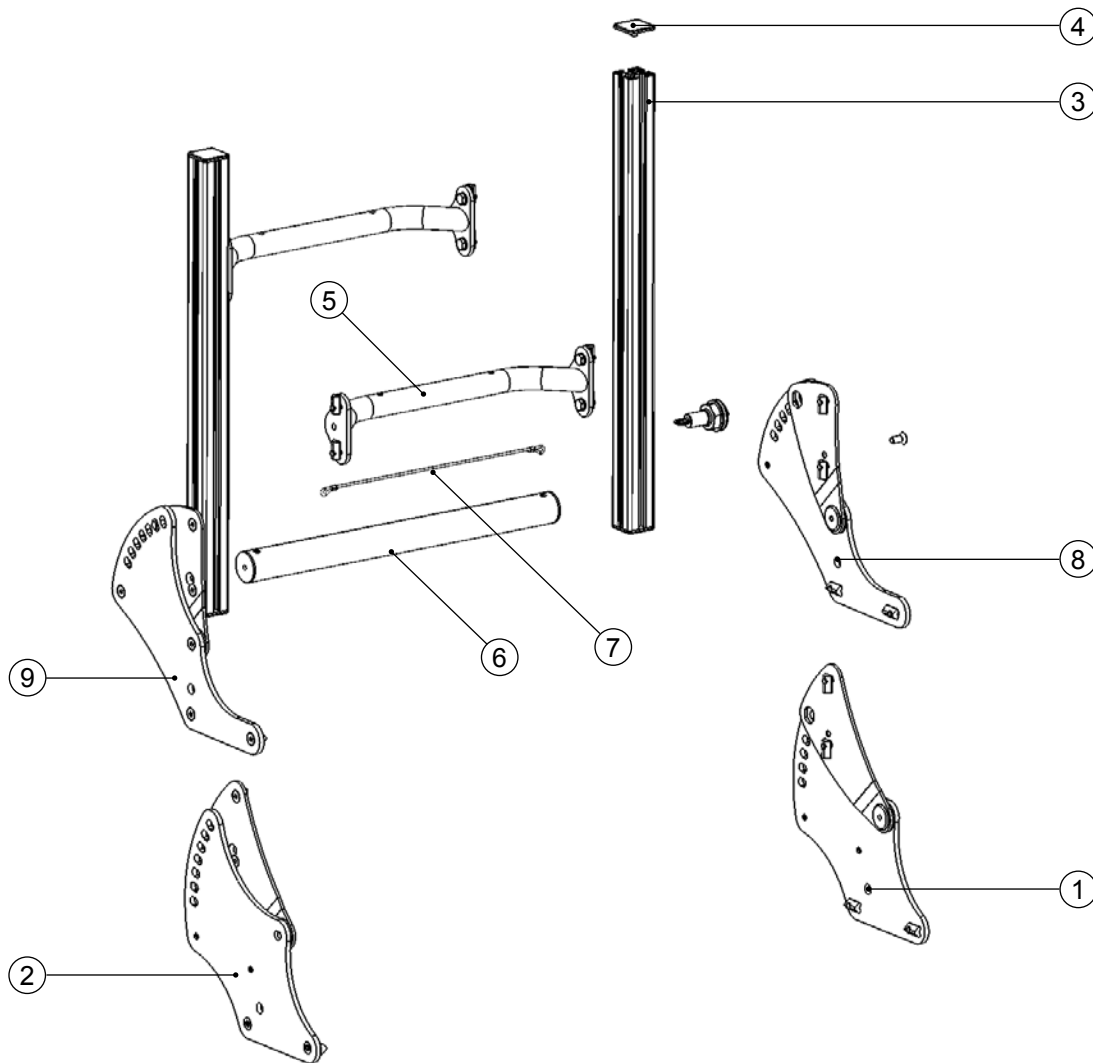


Pos	Article number	Articel description	Quantity	Unit
1-6	3006-21SWE	System-Seat frame	1	Set
1	3006-2416	Systemprofile 30x30x400	2	Pc.
	3006-2417	Systemprofile 30x30x450	2	Pc.
	3006-2418	Systemprofile 30x30x500	2	Pc.
	3006-2419	Systemprofile 30x30x550	2	Pc.
2	3006-28SWE	Cross strut with fasteners	3	Pc.
3	1049-0072	Nut insert for system profile, M6	16	Pc.
4	1052-0006	Spring washer B6	16	Pc.
5	1011-0614	Hexagon head screw M6x14	16	Pc.
6	1149-0004	Cap for system profile, 30x30	4	Pc.

When using the tie down kit, additional fasteners are needed.

In addition, specify the seat profile length.

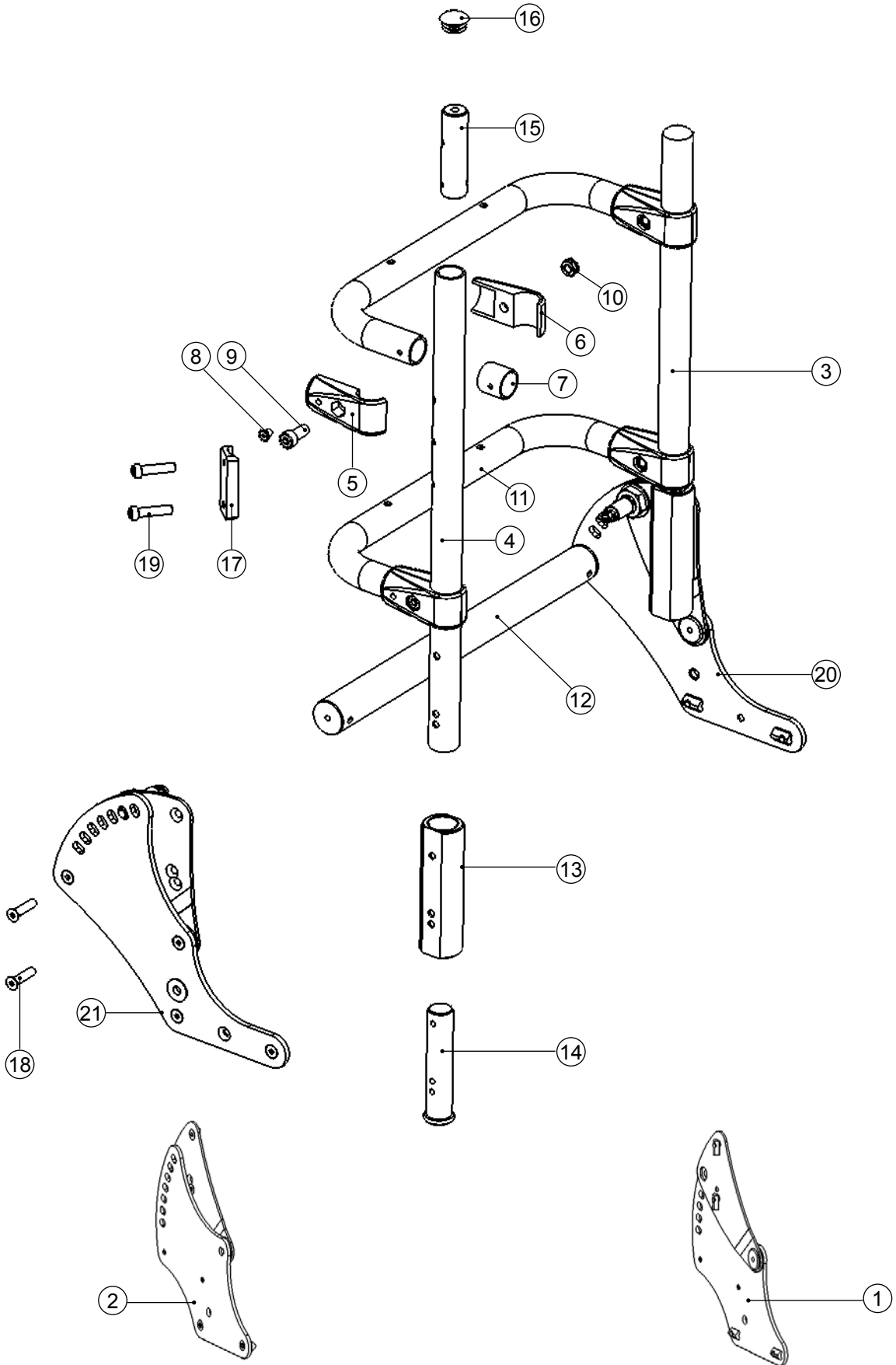
Spare parts



Pos	Article number	Articel description	Quantity	Unit
1-7	3006-32SBE	Systemprofil for back frame with Phy. Pivot point	1	Set
3-9	3006-33SBE	System backrest frame for seat shells*	1	Set
1	3006-3210E	Back joint for system back frame with Phy. pivot point, left complete	1	Set
2	3006-3220E	Back joint for system back frame with Phy. pivot point, right complete	1	Set
3	3006-2416	System profile, 400 mm	2	Pc.
	3006-2417	System profile, 450 mm	2	Pc.
	3006-2418	System profile, 500 mm	2	Pc.
4	1149-0004	Cap for system profile, 30x30	4	Pc.
5	3006-34SBE-015	Cross strut for back system	1	Pc.
6	3006-26SBE-015	Cross strut for back base	1	Pc.
7	3006-329X	Release cable for backrest recline,X= 2=SB36, 3=SB40, 4=SB44	1	Set
8	3006-3310E	Back joint for backrest frame system for seat shells, left complete	1	Set
9	3006-3320E	Back joint for backrest frame system for seat shells, right complete	1	Set

* Please give us the back profile length.

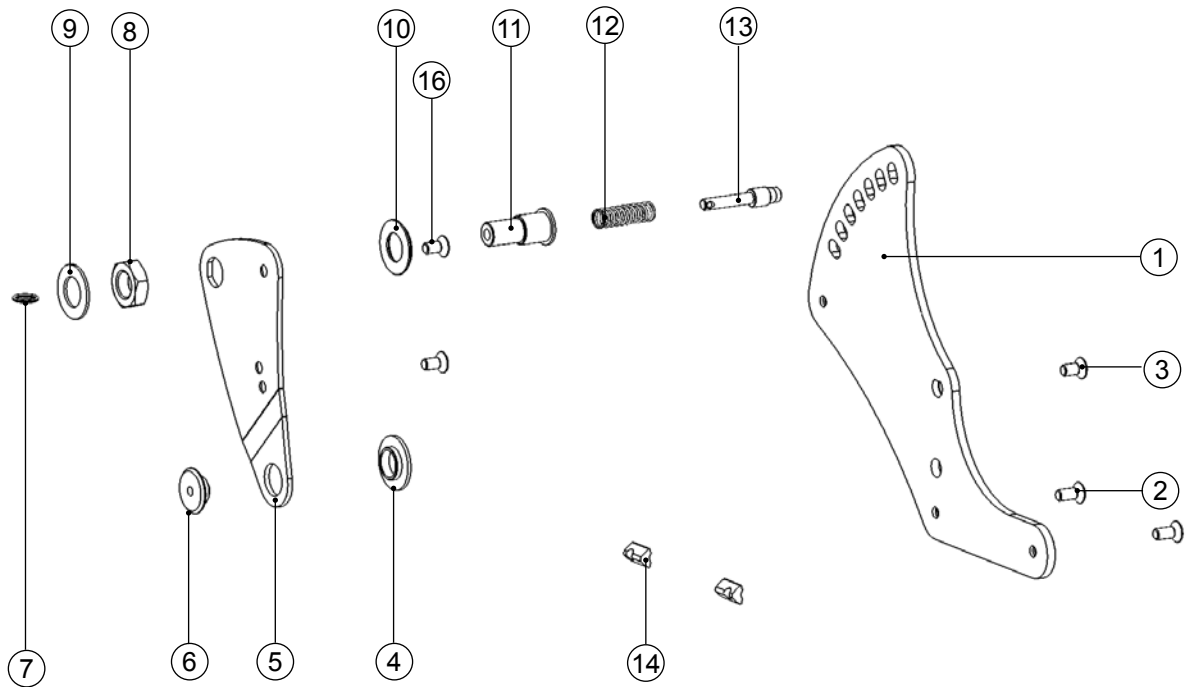
Spare parts



Spare parts

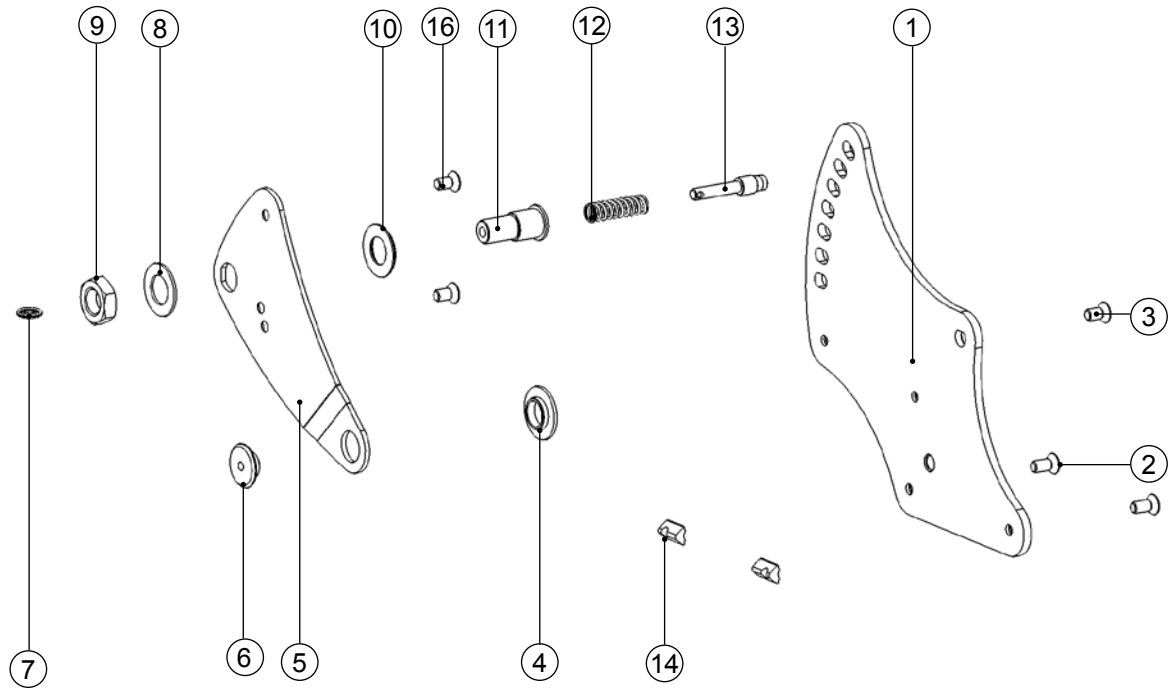
Pos	Article number	Articel description	Quantity	Unit
1-19	3006-30SWE	Universal backrest frame components, with Phy. pivot point	1	Set
3-21	3006-31SWE	Universal-Back frame for seat shells	1	Set
1	3006-3210E	Back joint for back frame system with Phy. pivot point, left complete	1	Set
2	3006-3220E	Back joint for back frame system with Phy. pivot point, right complete	1	Set
3	3006-3014-007	Back tube standard, left	1	Pc.
4	3006-3015-007	Back tube standard, right	1	Pc.
5-11	3006-37SWE	Cross brase universal back, deep, SW36, SW40 and SW44	2	Pc.
12	3006-26SWE-015	Cross strut for back base	1	Pc.
13	3006-3012	Bearing sleeve for back tube	2	Pc.
14	3006-3011	Thread instert for back tube	2	Pc.
15	3006-3016	Thread insert for handle clamp	2	Pc.
16	1141-0009	Ribbed insert SFL 25x1-2,5	2	Pc.
17	3006-3017-007	Saddle form bar for handle clamp	2	Pc.
18	1024-0630	Hexagon socket countersunk head screw M6x30	4	Pc.
19	1021-0625	Hexagon socket head cap screw M6x25	4	Pc.
20	3006-3310E	Back joint for backrest frame system for seat shells, left complete	1	Pc.
21	3006-3320E	Back joint for backrest frame system for seat shells, right complete	1	Pc.

Spare parts



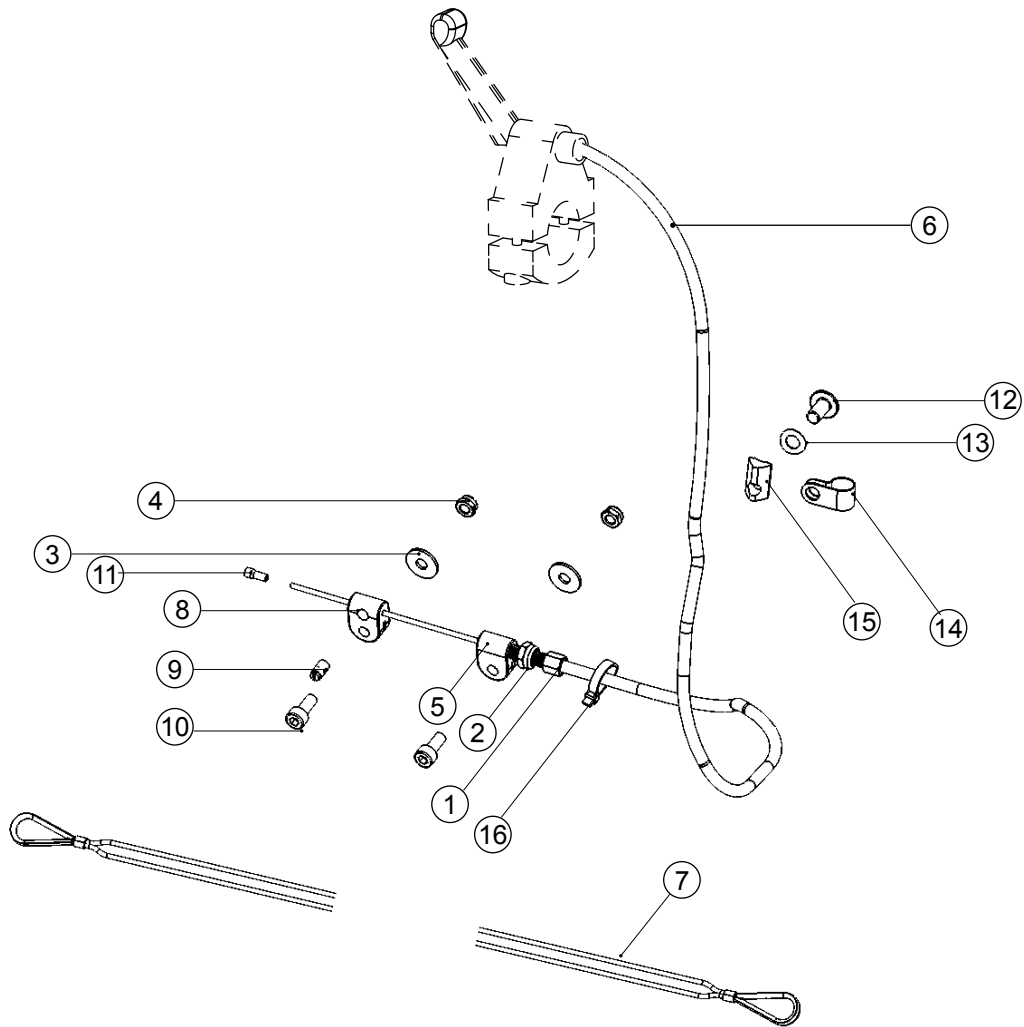
Pos	Article number	Articel description	Quantity	Unit
1-16	3006-3310E	Back joint for backrest frame system for seat shells, left complete	1	Set
	3006-3320E	Back joint for backrest frame system for seat shells, right complete	1	Set
1	3006-2012-015	Back bearing left, for back rest frame system	1	Pc.
	3006-2022-015	Back bearing right, for back rest frame system	1	Pc.
2	1024-5002	Hexagon socket countersunk head screw M6x14 with Klemm-tight	6	Pc.
3	1024-0612	Hexagon socket countersunk head screw M6x12	2	Pc.
4	3245-2613	Flange bushing	2	Pc.
5	3006-3212-015	Back joint panel, left	1	Pc.
	3006-3222-015	Back joint panel, right	1	Pc.
6	3245-2614	Bearing shaft	2	Pc.
7	1129-0012	Key ring 16x1,3	2	Pc.
8	1040-0016	Hexagon nut BM 16x 1,5	2	Pc.
9	1052-0016	Spring washer B16	2	Pc.
10	3248-3013	Thrust washer	2	Pc.
11	3246-1145	Bolt housing	2	Pc.
12	1131-0070	Compression D-162	2	Pc.
13	3240-2422	Locking bolt	2	Pc.
14	1049-0072	Nut insert for system profile, M6	10	Pc.
15	3278-1259	Shoulder bushing black	2	Pc.
16	1024-5001	Hexagon socket countersunk head screw M6x12 with Klemm-tight	4	Pc.

Spare parts



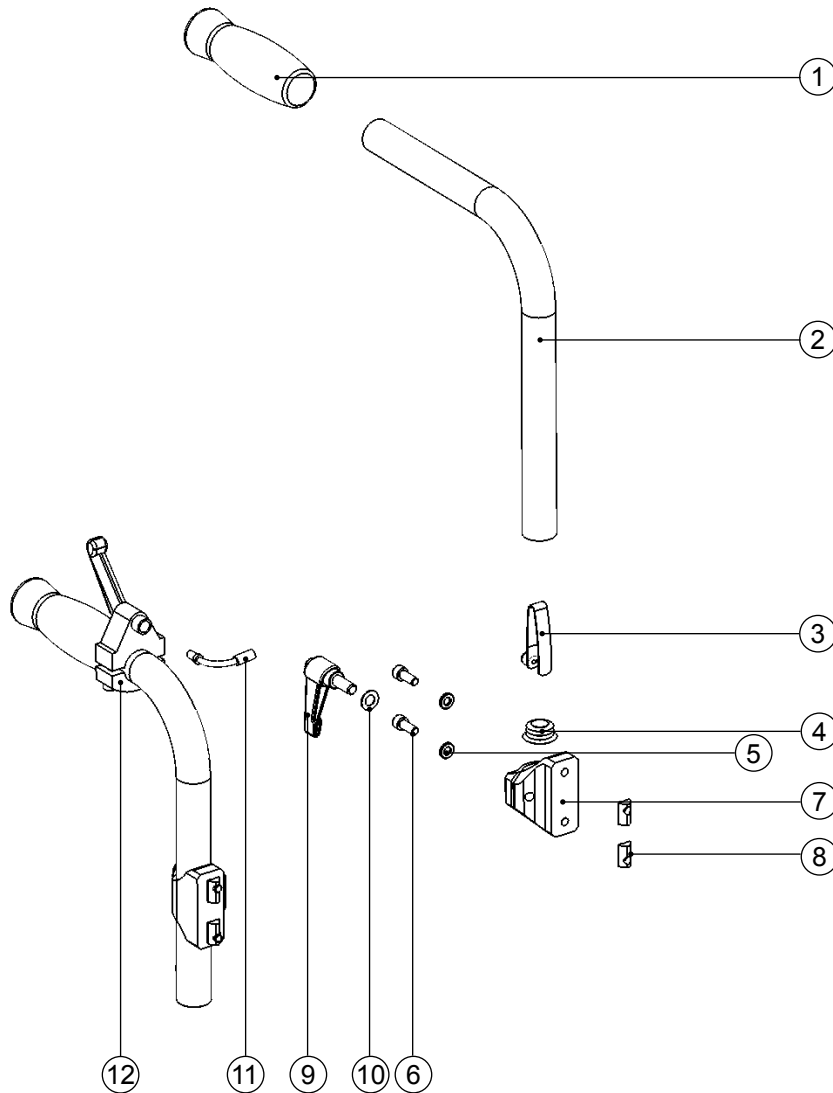
Pos	Article number	Articel description	Quantity	Unit
1-16	3006-3210E	Back joint for system back frame with phy. pivot point, left complete	1	Set
	3006-3220E	Back joint for system back frame with phy. pivot point, right complete	1	Set
1	3006-2011-015	Back bearing, left for phy. Pivot point	1	Pc.
	3006-2021-015	Back bearing, right for phy. Pivot point	1	Pc.
2	1024-5002	Hexagon socket countersunk head screw M6x14 with Klemm-tight	6	Pc.
3	1024-0612	Hexagon socket countersunk head screw M6x12	2	Pc.
4	3245-2613	Flange bushing	2	Pc.
5	3006-3212-015	Back joint panel, left	1	Pc.
	3006-3222-015	Back joint panel, right	1	Pc.
6	3245-2614	Bearing shaft	2	Pc.
7	1129-0012	Key ring 16x1,3	2	Pc.
8	1040-0016	Hexagon nut BM 16x 1,5	2	Pc.
9	1052-0016	Spring washer B16	2	Pc.
10	3248-3013	Thrust washer	2	Pc.
11	3246-1145	Bolt housing	2	Pc.
12	1131-0070	Compression D-162	2	Pc.
13	3240-2422	Locking bolt	2	Pc.
14	1049-0072	Nut insert for system profile, M6	10	Pc.
15	3278-1259	Shoulder bushing black	2	Pc.
16	1024-5001	Hexagon socket countersunk head screw M6x12 with Klemm-tight	4	Pc.

Spare parts



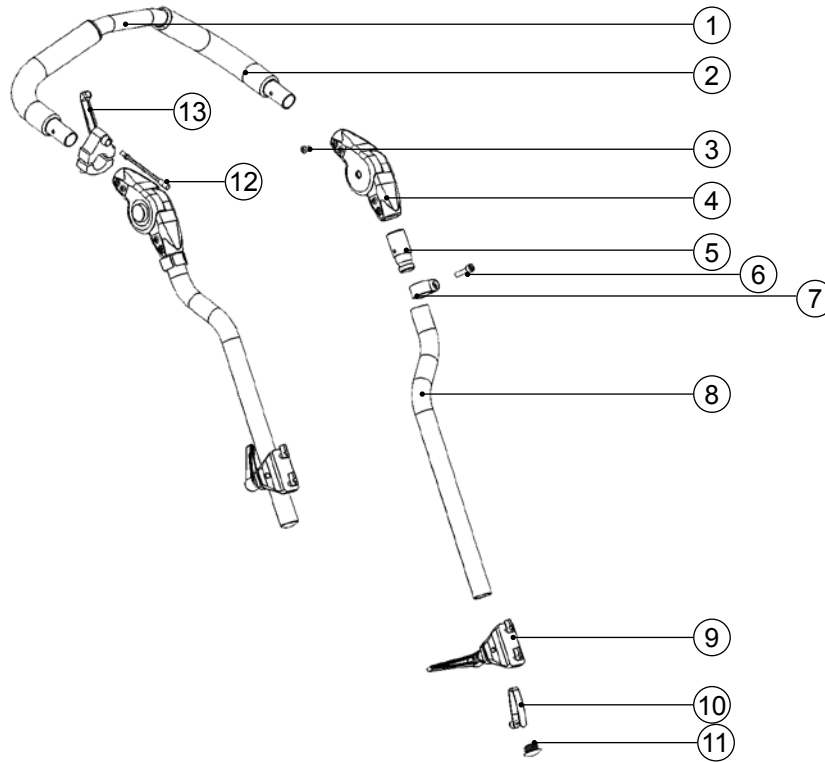
Pos	Article number	Articel description	Quantity	Unit
1-16	3007-1900E	Tilt adjustment	1	Set
1	1099-0003	Adjusting screw with nut M6x20/30	1	Pc.
2	1042-0006	Hexagon nut self-locking M6	1	Pc.
3	1055-0005	Washer A5,3	2	Pc.
4	1042-0005	Hexagon nut self-locking M5	2	Pc.
5	3007-1931	Bowden bearing prepared for adjustment screw	1	Pc.
6	1209-0037	Bowden cable for release lever (D22/D25)	1	Pc.
7	1129-1001	Universal wire-robe with rope thimble for seat angle adjustment	2	Pc.
8	3243-1932	Nipple bearing	1	Pc.
9	1099-0004	Screw nipple 1100, D5x8	1	Pc.
10	1021-0512	Cylinder head screw M5x12	2	Pc.
11	1209-0006	End cap brass U-BA-H for Bowden cable cover	2	Pc.
12	1030-0612	button head socket screw with flange M6x12	1	Pc.
13	1052-0006	Spring washer B6	1	Pc.
14	1149-0003	Cable clip d 6,4 / 8 mm, black	1	Pc.
15	1049-0072	Nut insert for system profile, M6	1	Pc.
16	1089-0007	Cable tie 3,3 x 145	1	Pc.

Spare parts



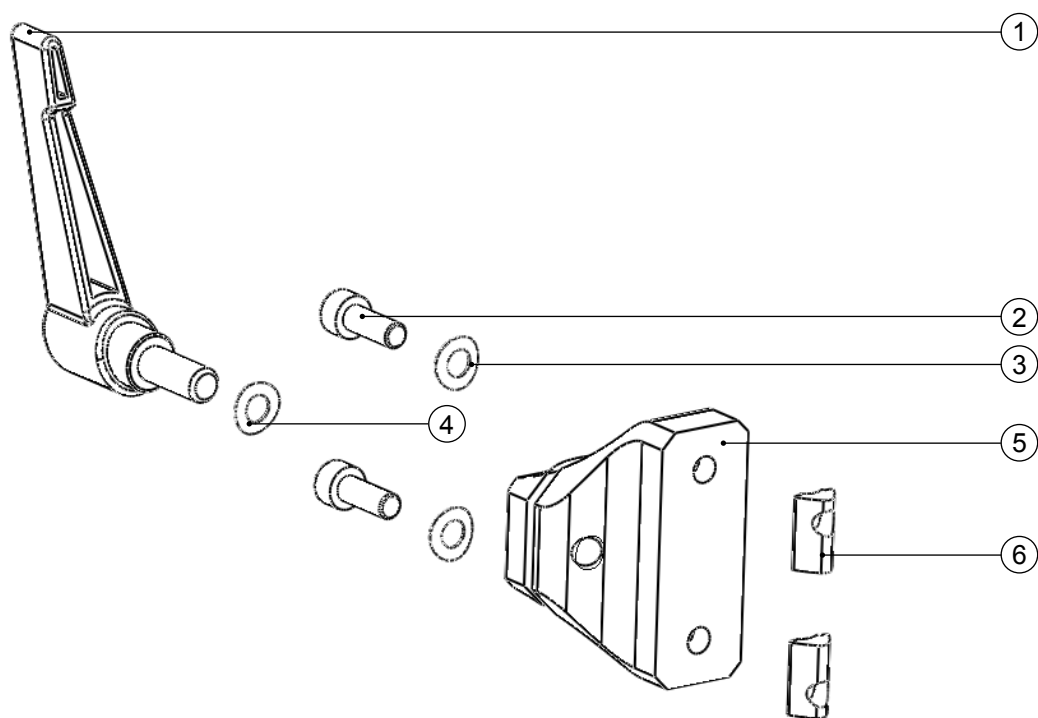
Pos	Article number	Articel description	Quantity	Unit
1-12	3006-5100E	Push Handle	1	Set
1	1143-0005	Handle grip black d25 x 120	2	Pc.
2	3006-5111-007	Push handle 180	2	Pc.
3	1134-0006	Snap button B 141 7,7x9,4	2	Pc.
4	1141-0015	Ribbed insert GL 25x1-2.5	2	Pc.
5	1052-0006	Spring washer B6	4	Pc.
6	1021-0616	Hexagon socket head cap screw M6x16	4	Pc.
7	3006-5113-007	Clamp for handles black anodised	2	Pc.
8	1049-0072	Nut insert for system profile, M6	4	Pc.
9	1121-0820	Locking lever PA black M8x20	2	Pc.
10	1052-0008	Spring washer B8	2	Pc.
11	1205-0055	Bowden cable guide, angle 90°	1	Pc.
12	1209-0032	Release lever D25	1	Pc.

Spare parts



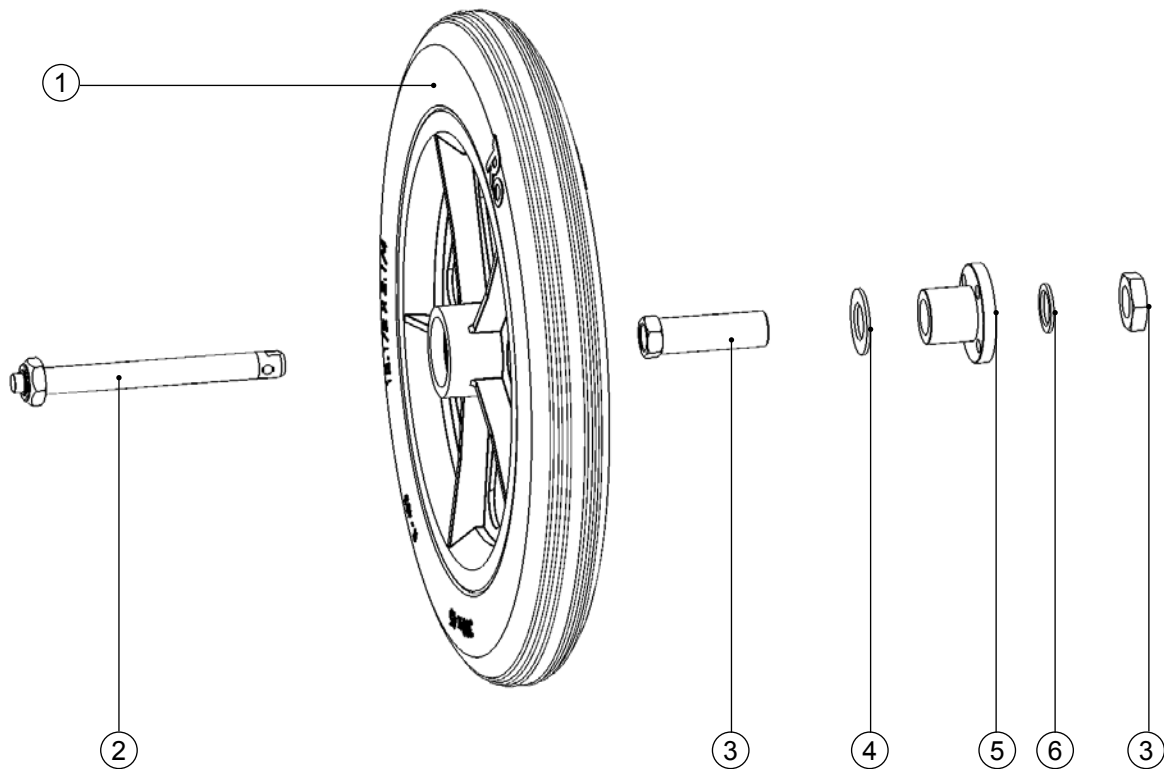
Pos	Article number	Articel description	Quantity	Unit
1-13	3006-55SWE	Push bar, angle adjustable	1	Set
	3006-54SWE	Push bar, angle adjustable for universal back frame	1	Set
1-5	3247-5660E	Push bar, upper part, SW 36 + 40	1	Set
	3247-5670E	Push bar upper part, SW 44 (SW36 universal back)	1	Set
	3006-5260E	Push bar upper part, for universal back SW40	1	Set
	3006-5270E	Push bar upper part, for universal back SW44	1	Set
1	3240-5662-001	Push bar upper part, SW 36 and 40	1	Pc.
	3240-5672-001	Push bar upper part, SW 44 (SW36 universal back)	1	Pc.
	3231-1421-032	Push bar upper part, for universal back SW40	1	Pc.
	3233-1421-032	Push bar upper part, for universal back SW44	1	Pc.
2	1143-0002	Handle grip rubber black d22 x 125	2	Pc.
3	1062-0512	Blind rivet F5x12	8	Pc.
4	1129-0037	Ratchet joint (multi position hinge)	2	Pc.
5	3247-5554	Coupling binder	2	Pc.
6	1021-0625	Hexagon socket head cap screw M6x25	2	Pc.
7	3240-5553-007	Clamping ring, anodised	2	Pc.
8	3006-5511-007	Push bar bottom part	2	Pc.
9	3006-5120E	Clamp unit	2	Pc.
10	1134-0006	Snap button B 141 7,7x9,4	2	Pc.
11	1141-0009	Ribbed insert SFL 25x1-2,5	2	Pc.
12	1205-0054	Bowden cable guide, flexible	1	Pc.
13	1209-0036	Release lever D22	1	Pc.

Spare parts



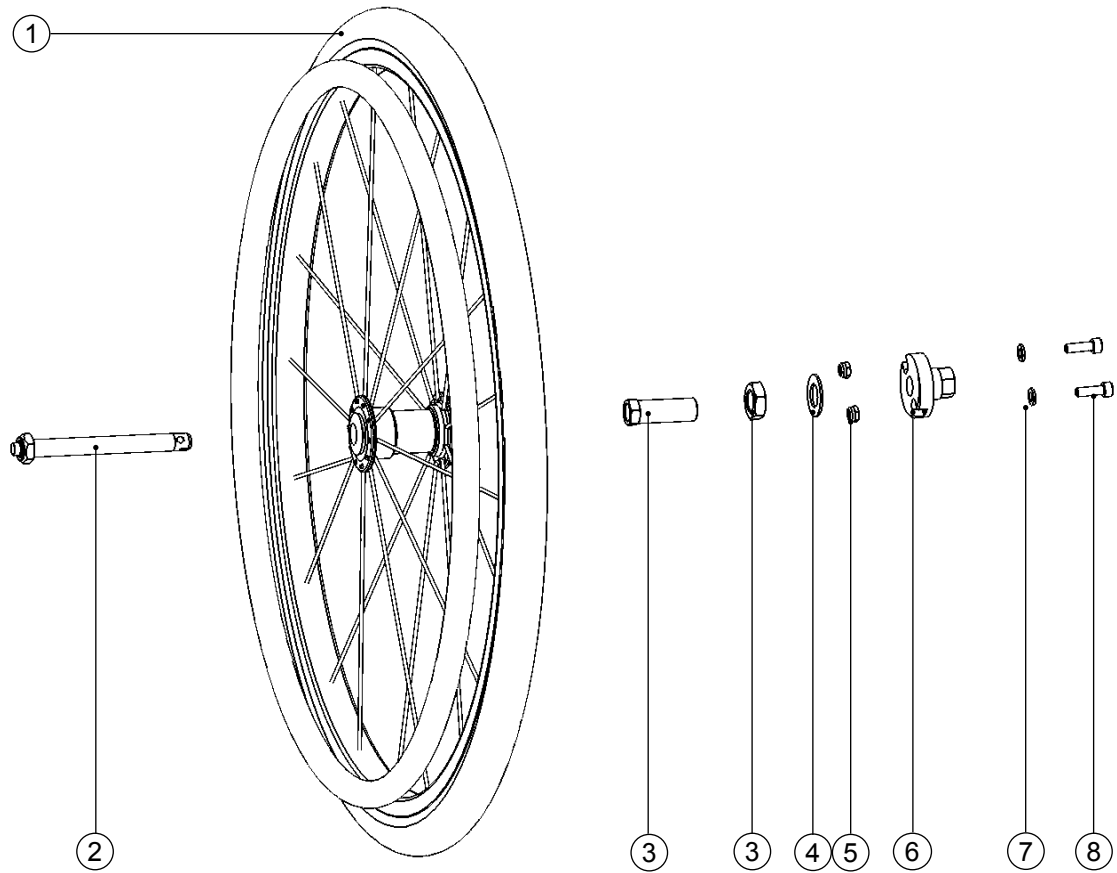
Pos	Article number	Articel description	Quantity	Unit
1-6	3006-5120E	Clamp unit, complete	1	Set
1	1121-0820E	Locking lever PA black M8x20	2	Pc.
2	1021-0616	Hexagon socket head cap screw M6x16	4	Pc.
3	1052-0008	Spring washer B8	2	Pc.
4	1052-0006	Spring washer B6	4	Pc.
5	3006-5113-007	Clamp for handles black anodised	2	Pc.
6	1049-0072	Nut insert for system profile, M6	4	Pc.

Spare parts



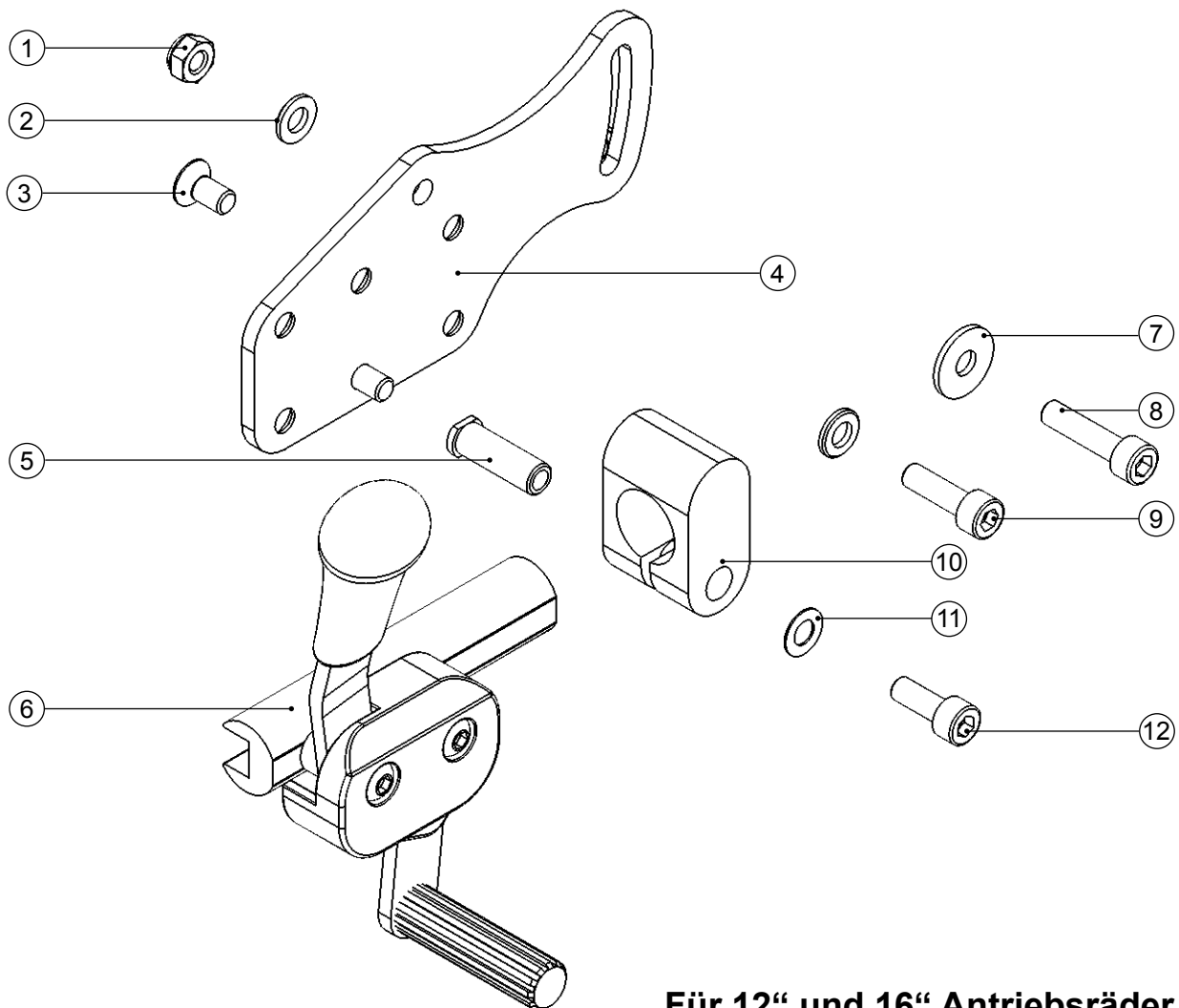
Pos	Article number	Articel description	Quantity	Unit
1	1211-0031	pneumatic wheel black 12,5 x 2,25" on black 5-spoke rim	2	Pc.
	1221-0033	PU wheel black 300x45 on black 5-spoke rim	2	Pc.
	1221-0028	PU wheel 16 x 2" on black 5-spoke rim	2	Pc.
	1221-0028	PU wheel 16 x 2" on black 5-spoke rim	2	Pc.
2	1205-0013	Quick release axle 12 x 104 mm	2	Pc.
	1205-0022	Quick release axle 12 x 108 mm stainless steel	2	Pc.
3		Adapter M16x1 for quick-release-axle 12/50 mm	2	Pc.
		16" Adapter mit Mutter	2	Pc.
4	1059-0002	Shim ring zp DIN/ISO 988 16x22x1,5	2	Pc.
5	3006-1121-006	Wheel adapter 12"-16"	2	Pc.
6	1052-0016	Spring washer B16	2	Pc.

Spare parts



Pos	Article number	Articel description	Quantity	Unit
1	1211-0029	Pneumatic wheel 22"x1 3/8 with aluminum rims	2	Pc.
	1221-0029	PU wheel 22"x1 3/8 with aluminum rims	2	Pc.
	1211-0030	Pneumatic wheel 24"x1 3/8 with aluminum rims	2	Pc.
	1221-0030	PU wheel 24"x1 3/8 with aluminum rims	2	Pc.
2	1205-0021	Quick release axle 12 x 104 mm button black	2	Pc.
3	1205-0011	Adapter M16x1 for quick-release-axle 12/50 mm	2	Pc.
4	1052-0016	Spring washer B16	2	Pc.
5	1042-0006	Hexagon nut self-locking M6	4	Pc.
6	3224-1167-006	Wheel camber 0° (not for 12" and 16" wheels)	2	Pc.
	3224-1166-006	Wheel camber 3° (not for 12" and 16" wheels)	2	Pc.
7	1051-0006	Washer A6,4	4	Pc.
8	1021-0620	Hexagon socket head cap screw M6x20	4	Pc.

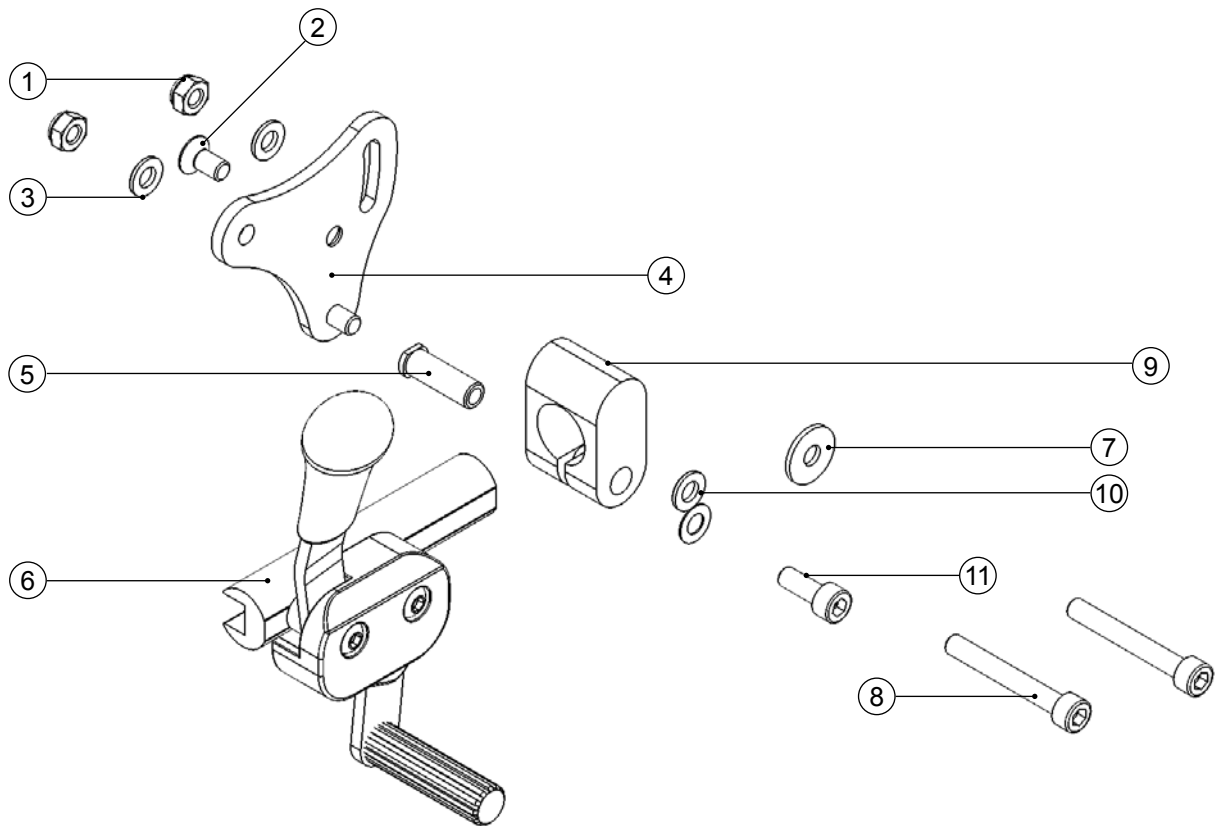
Spare parts



Für 12“ und 16“ Antriebsräder

Pos	Article number	Articel description	Quantity	Unit
1-12	3006-1703	Standard knee lever brakes, SHERPA seat shell base, 12 "+ 16" wheels	1	Pair
1	1042-0006	Hexagon nut self-locking zp DIN/ISO 985 M6	4	Pc.
2	1051-0006	Washer A6,4 zp DIN/ISO 125 A6,4	6	Pc.
3	1024-0612	Hexagon socket countersunk head screw zp DIN/ISO 7991 M6x12	4	Pc.
4	3006-1811-015	Base plate brake holder SHERPA 12 " / 16 " left	1	Pc.
	3006-1812-015	Base plate brake holder SHERPA 12 " / 16 " right	1	Pc.
5	3275-1731	Brake clamp Bearing	2	Pc.
6	1207-0001	Hand brake push left black	1	Pc.
	1207-0002	Hand brake push right black	1	Pc.
7	1055-0006	Washer A6,4	2	Pc.
8	1021-0625	Hexagon socket head cap screw M6x25	2	Pc.
9	1021-0620	Hexagon socket head cap screw M6x20	2	Pc.
10	3249-1721-007	Clamp for brake mechanism black anodized	2	Pc.
11	1051-0006	Washer A6,4	2	Pc.
12	1021-0616	Hexagon socket head cap screw M6x16	2	Pc.

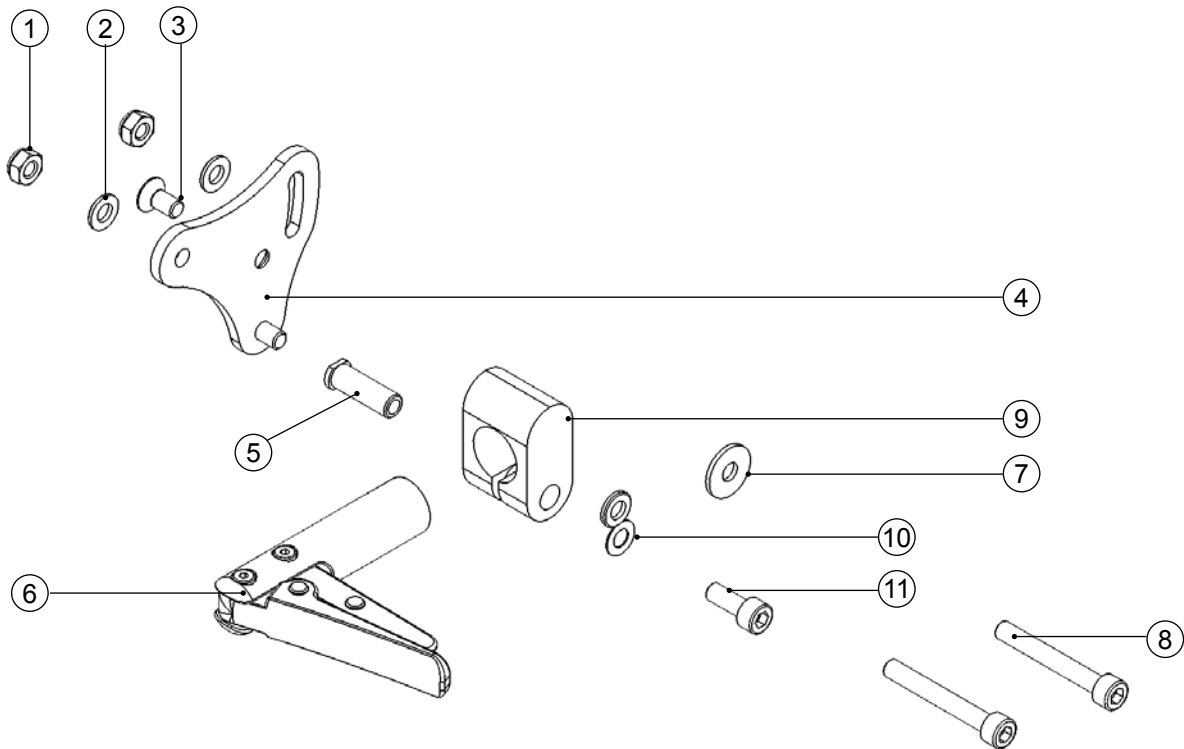
Spare parts



Für 22" und 24" Antriebsräder

Pos	Article number	Articel description	Quantity	Unit
1-11	3006-1700	Standerd knee lever break system, complete for 22" and 24"	1	Pair
1	1042-0006	Hexagon nut self-locking zp DIN/ISO 985 M6	4	Pc.
2	1051-0006	Washer A6,4 zp DIN/ISO 125 A6,4	6	Pc.
3	1024-0612	Hexagon socket countersunk head screw M6x12	4	Pc.
4	3006-1711-015	Base plate brake holder SHERPA, left 20 " - 24 " fine structure black	1	Pc.
	3006-1712-015	Base plate brake holder SHERPA, right 20 " - 24 " fine structure black	1	Pc.
5	3275-1731	Brake clamp Bearing	2	Pc.
6	1207-0001	Hand brake push left black	1	Pc.
	1207-0002	hand brake push right black	1	Pc.
7	1055-0006	Washer A6,4	2	Pc.
8	1021-0645	Hexagon socket head cap screw M6x45	4	Pc.
9	3249-1721-007	Clamp for brake mechanism black anodized	2	Pc.
10	1051-0006	Washer A6,4	2	Pc.
11	1021-0616	Hexagon socket head cap screw M6x16	2	Pc.

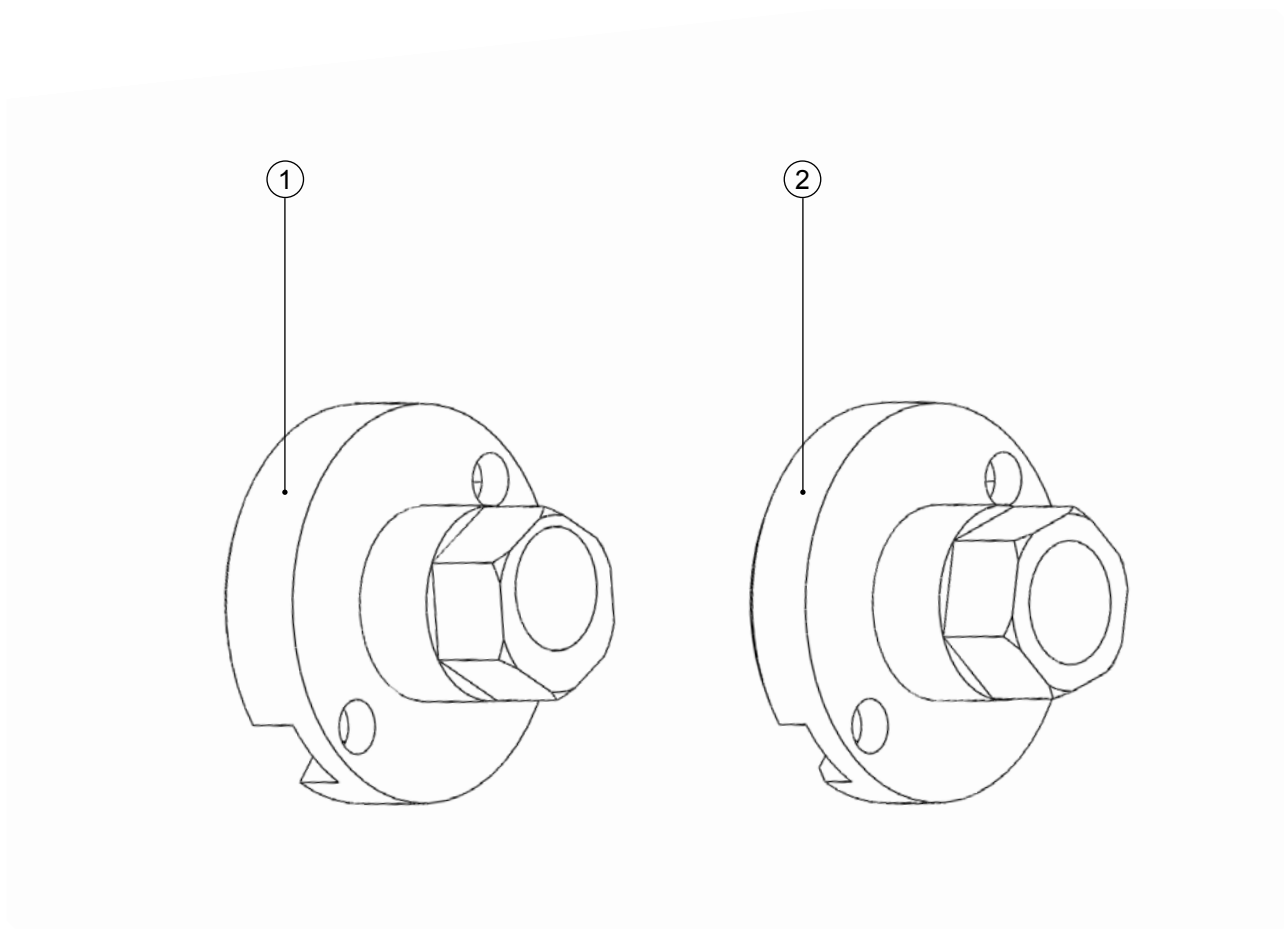
Spare parts



Für 22“ und 24“ Antriebsräder

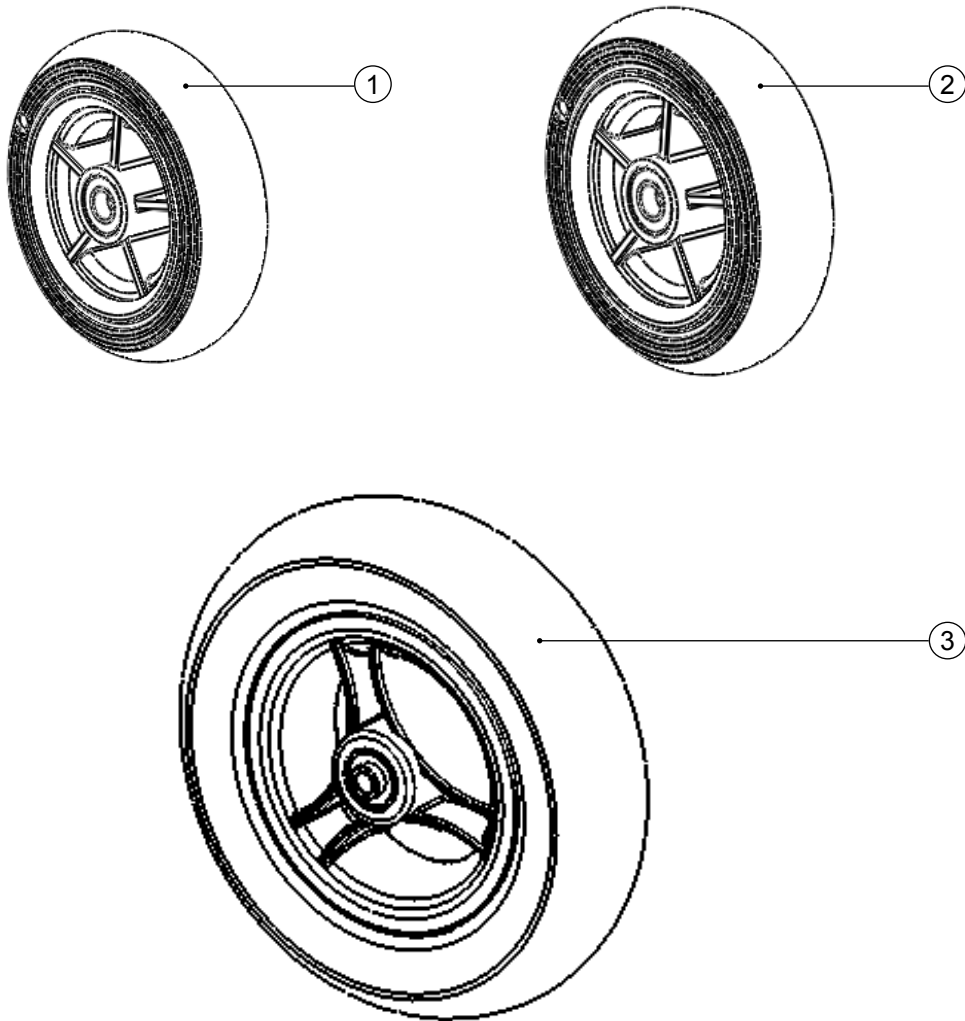
Pos	Article number	Articel description	Quantity	Unit
1-11	3006-1800	HOGGI light Knee lever break	1	Pair
1	1042-0006	Hexagon nut self-locking M6	4	Pc.
2	1051-0006	Washer A6,4	6	Pc.
3	1024-0612	Hexagon socket countersunk head screw M6x12	4	Pc.
4	3006-1711-015	Base plate brake holder SHERPA left 20 " - 24 "	1	Pc.
	3006-1712-015	Base plate brake holder SHERPA right 20 " - 24 "	1	Pc.
5	3275-1731	Brake clamp Bearing	2	Pc.
6	3257-1710E	HOGGI light break left w/t clamp	1	Pc.
	3257-1720E	HOGGI light break right w/t clamp	1	Pc.
7	1055-0006	Washer A6,4	2	Pc.
8	1021-0645	Hexagon socket head cap screw M6x45	4	Pc.
9	3249-1721-007	Clamp for brake mechanism black anodized	2	Pc.
10	1051-0006	Washer A6,4	2	Pc.
11	1022-0612	Hexagon socket head cap screw M6x16	2	Pc.

Spare parts



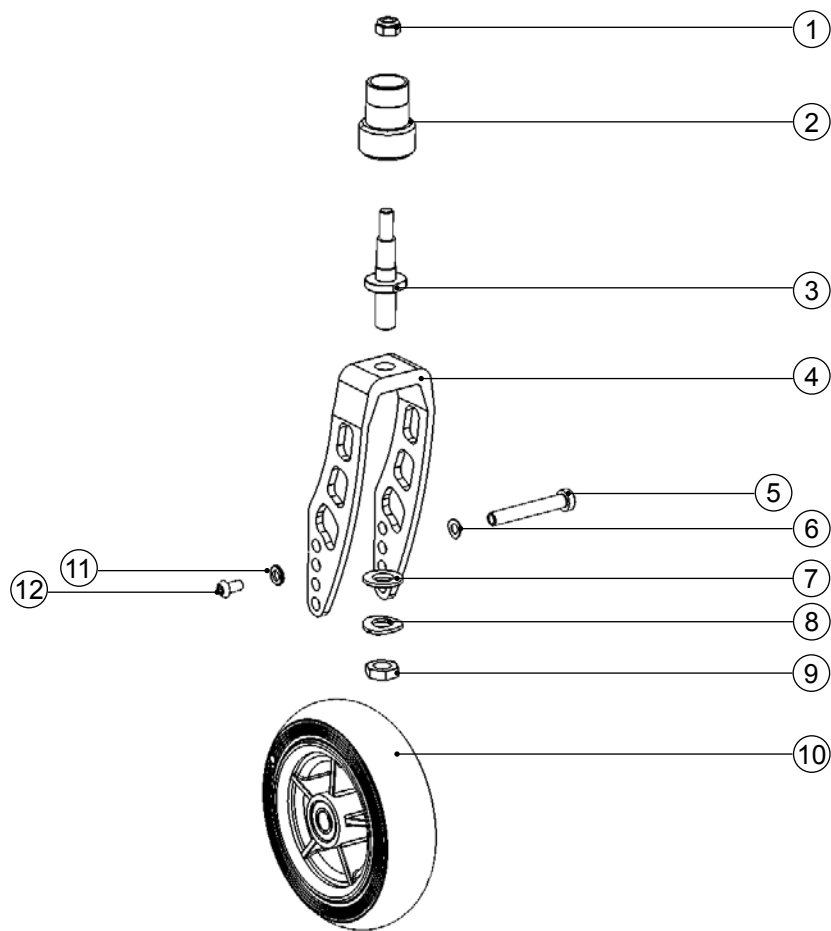
Pos	Article number	Articel description	Quantity	Unit
1	3224-1162-006	Chamber adapter 3°	2	Pc.
2	3224-1163-006	Chamber adapter 0°	2	Pc.

Spare parts



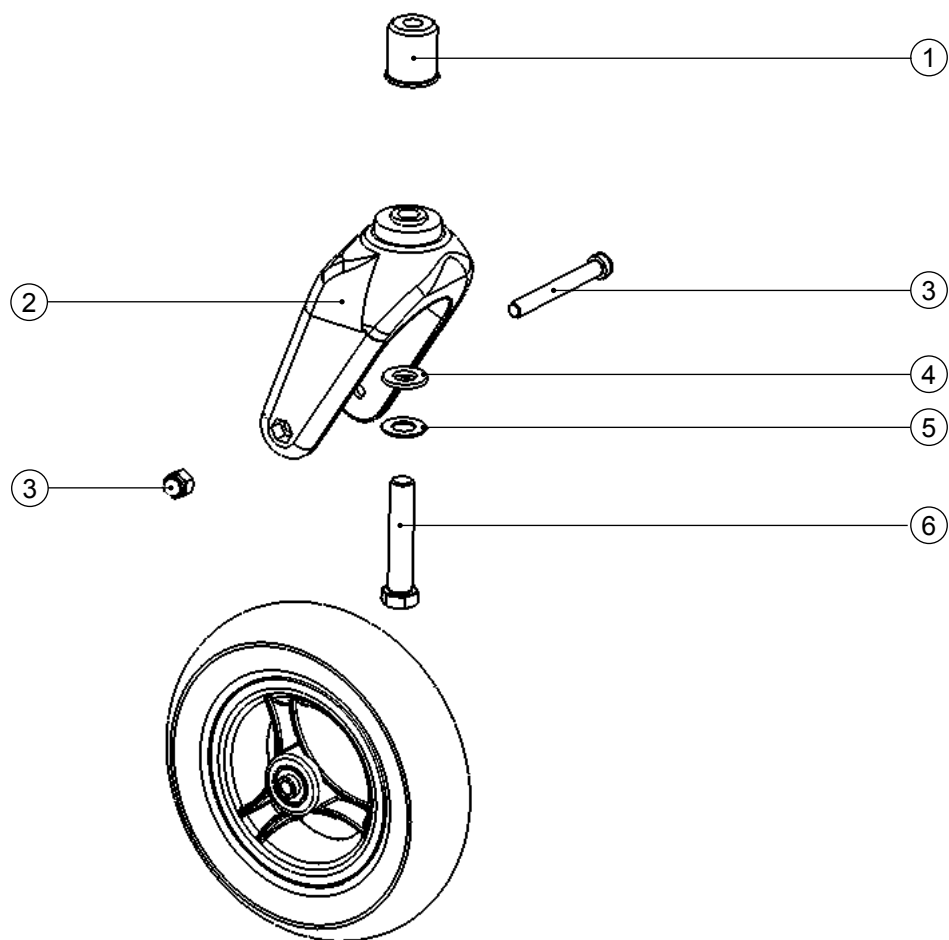
Pos	Article number	Articel description	Quantity	Unit
1	1250-0003	Front castor with solid rubber tires 125x32	2	Pc.
2	1250-1440	Front castor with solid rubber tires 140x40	2	Pc.
	1250-1460	Front castor with solid rubber tires 140x40 black	2	Pc.
3	1221-1950	PU-wheel 190x50	2	Pc.
	1211-0017	Pneumatic wheel 190x50 with black 3 spoke plastic rim	2	Pc.
	1211-1950	Pneumatic wheel 190/50-3-LSSI-SK	2	Pc.
	1221-0017	PU-wheel 190x50 with black 3 spoke plastic rim	2	Pc.

Spare parts



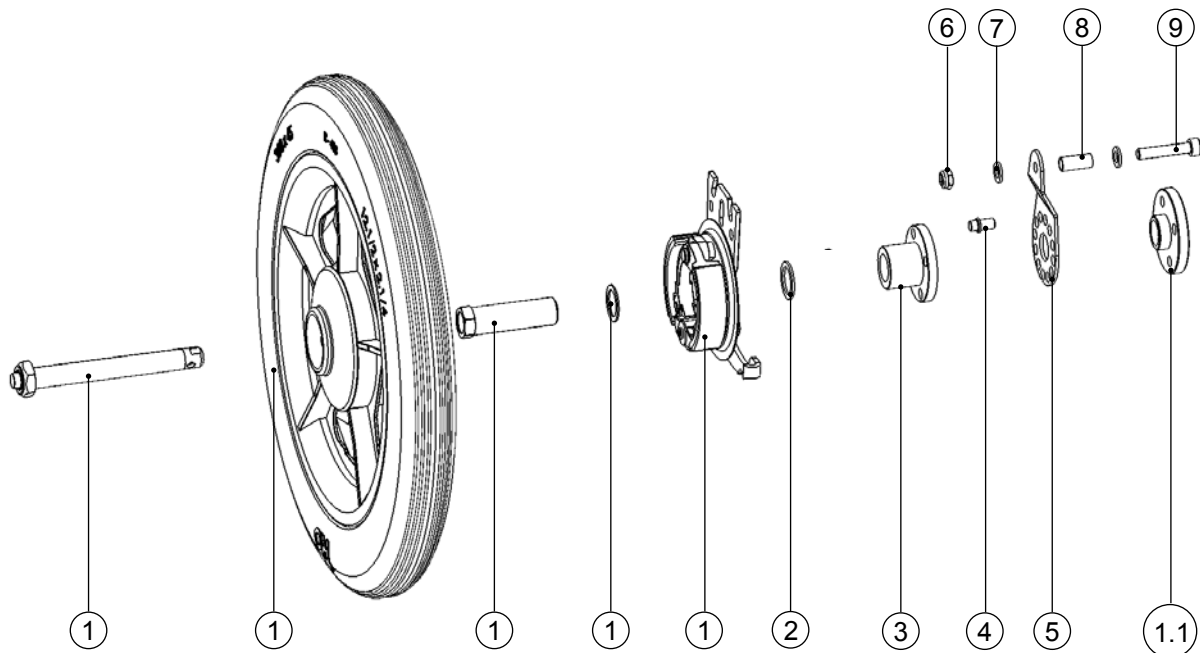
Pos	Article number	Articel description	Quantity	Unit
1-12	1250-1010	Front wheels with rubber tire 125x32, short Alu front forks	1	Set
	1250-1011	Front wheels with rubber tire 125x32, long Alu front forks	1	Set
	1250-1012	Front wheels with rubber tire 140x40, short Alu front forks	1	Set
	1250-1013	Front wheels with rubber tire 140x40, long Alu front forks	1	Set
1	1042-0008	Hexagon nut self-locking M8	2	Pc.
2	3240-1170E	Castor fork bracket complete	2	Pc.
3	1205-0007	Wheel fork axle	2	Pc.
4	1281-0016-007	Wheel fork aluminum H126,5 x W45 x T10, 3 Holes, black anodized	2	Pc.
	1281-0017-007	Wheel fork aluminum H165 x W45 x T10, 4 Holes, black anodized	2	Pc.
5	1205-0009	Wheel axle L54	2	Pc.
6	1052-0006	Spring washer B6	2	Pc.
7	1051-0012	Washer A 13	2	Pc.
8	1052-0012	Spring washer B12	2	Pc.
9	1051-0012	Washer A 13	4	Pc.
10	1250-XXXX	Lenkrad	2	Pc.
11	1051-0006	Washer A6,4	2	Pc.
12	1029-0612	button head socket screw M6x12	2	Pc.

Spare parts



Pos	Article number	Articel description	Quantity	Unit
1-7	1250-1014	Front castor wheels 190x50 PU tire with plastic forks	1	Set
	1250-1015	Front castor wheels 190x50 pneu matic, with plastic forks	1	Set
1	3240-1140	Caster fork retainer M12	2	Pc.
2	1281-0007	Castor fork LG-K-200-12 schw 200x60	2	Pc.
3	1205-0875E	Hexagon head screw M8x75 with nut	2	Pc.
4	1051-0012	Washer A 13	2	Pc.
5	1052-0012	Spring washer B12	2	Pc.
6	1012-1265	Hexagon head screw M 12x65	2	Pc.
7	12X1-XXXX	Front wheel	2	Pc.

Spare parts



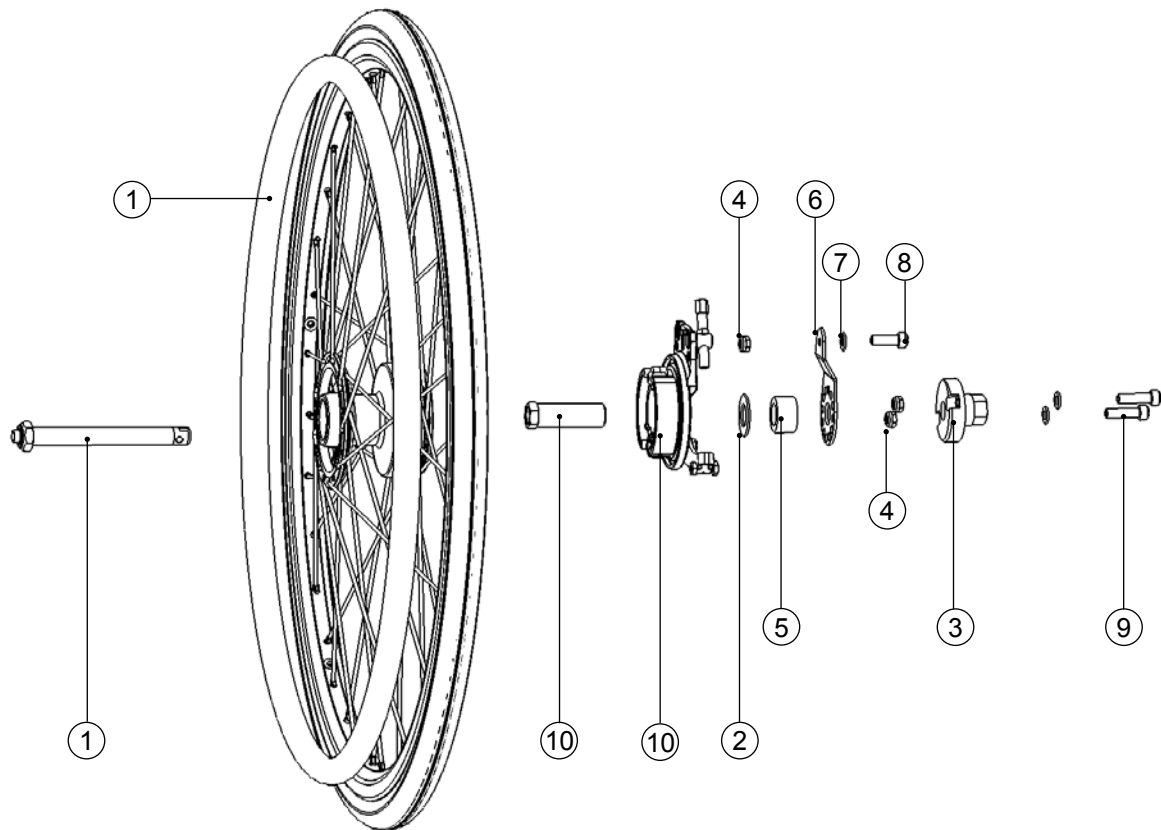
Pos	Article number	Articel description	Quantity	Unit
1	1219-0034*	Pneumatic wheel 12,5 x 2,25", 5 spoke, QR axcel, drumbreak. left side	1	Pc.
	1219-0035*	Pneumatic wheel 12,5 x 2,25", 5 spoke, QR axcel, drum brake right side	1	Pc.
	1219-0042**	Pneumatic wheel 12,5 x 2,25", 5 spoke, QR axcel, drum brake left side	1	Pc.
	1219-0043**	Pneumatic wheel 12,5 x 2,25", 5 spoke, QR axcel, drum brake right side	1	Pc.
	1229-0034*	PU wheel 300x45, 5 spoke, QR axcel, drum brake left side	1	Pc.
	1229-0035*	PU wheel 300x45, 5 spoke, QR axcel, drum brake right side	1	Pc.
	1229-0042**	PU wheel black 300x45, 5 spoke, QR axcel, drum brake left side	1	Pc.
	1229-0043**	PU wheel black 300x45, 5 spoke, QR axcel, drum brake right side	1	Pc.
	1219-0036*	Pneumatic wheel 16 x 1,75", 5 spoke, QR axcel, drum brake left side	1	Pc.
	1219-0037*	Pneumatic wheel 16 x 1,75", 5 spoke, QR axcel, drum brake right side	1	Pc.
	1219-0040**	Pneumatic wheel 16 x 1,75", 5 spoke, QR axcel, drum brake left side	1	Pc.
	1219-0041**	Pneumatic wheel 16 x 1,75", 5 spoke, QR axcel, drum brake right side	1	Pc.
	1229-0036*	PU wheel 400x40, 5 spoke, QR axcel, drum brake left side	1	Pc.
	1229-0037*	PU wheel 400x40, 5 spoke, QR axcel, drum brake right side	1	Pc.
	1229-0040**	PU wheel 400x40, black 5 spoke, QR axcel, drum brake left side	1	Pc.
	1229-0041**	PU wheel 400x40, black 5 spoke, QR axcel, drum brake right side	1	Pc.
1.1	3006-1122-008	Threaded washer M16x1	2	Pc.
2	1052-0016	Spring washer B16	2	Pc.
3	3006-1121-006	Wheel adapter 12"-16"	2	Pc.
4	3006-1123-008	Locking pin	2	Pc.
5	1205-0050	Brake anchor support plate SHERPA	2	Pc.
6	1042-0006	Hexagon nut self-locking M6	2	Pc.
7	1051-0006	Washer A6,4	2	Pc.
8	1114-0013	Bushing zp 8x0,8x20	2	Pc.
9	1021-0635	Hexagon socket head cap screw M6x35	2	Pc.

* Tire colour, grey

** Tire colour, black

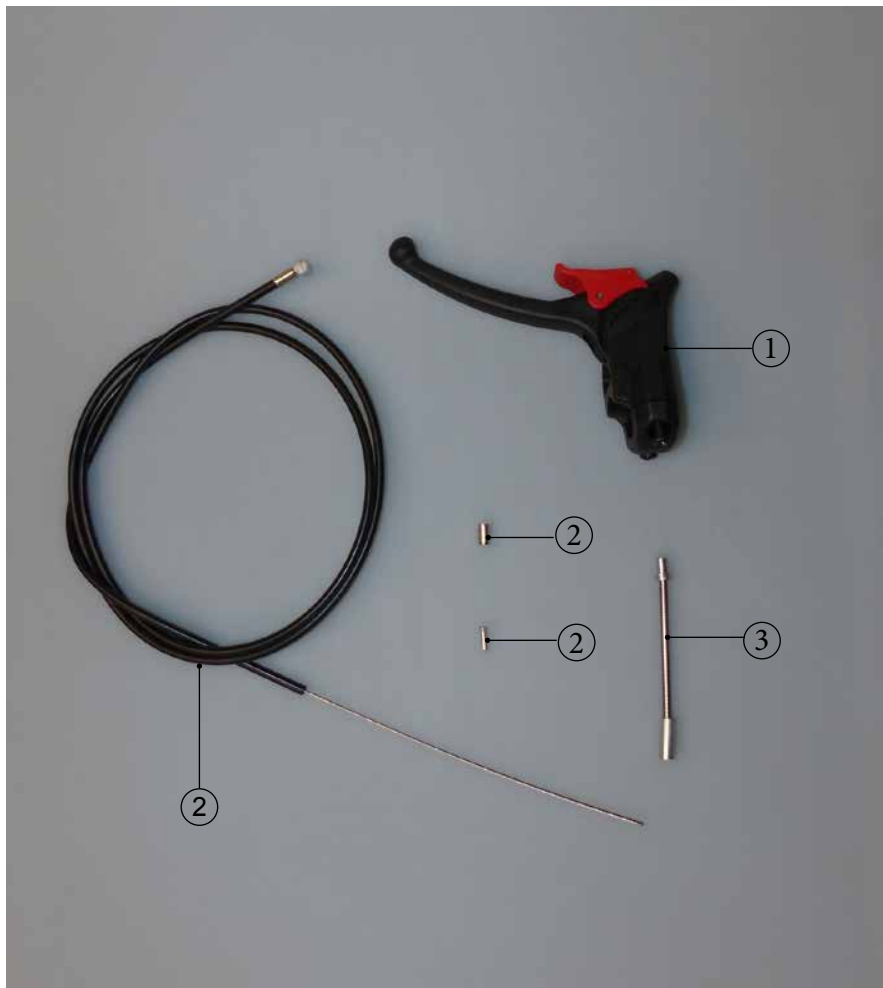
For Break lever see page 31!

Spare parts



Pos	Article number	Articel description	Quantity	Unit
1	1219-0038	Pneumatic wheels drum brake 22x1 3/8" , push rims aluminium	2	Pc.
	1229-0038	PU-wheel 22 x 1 3/8" drum brake, push rims aluminium	2	Pc.
	1219-0039	Pneumatic wheels drum brake 24x1 3/8" , push rims aluminium	2	Pc.
	1229-0039	PU-wheel 24 x 1 3/8" drum brake, push rims aluminium	2	Pc.
2	1052-0016	Spring washer B16	2	Pc.
3	3224-1163-006	Chamber adapter 0°	2	Pc.
	3224-1162-006	Chamber adapter 3°	2	Pc.
4	1042-0006	Hexagon nut self-locking M6	6	Pc.
5	1205-0057	Spacer bushing 25x16.2x20	2	Pc.
6	1205-0050-015	Brake anchor support plate SHERPA	2	Pc.
7	1051-0006	Washer A6,4	2	Pc.
8	1030-0612	Button head socket screw with flange M6x12	2	Pc.
9	1021-0630	Hexagon socket head cap screw M6x30	4	Pc.
	1205-0026	Brake plate, black KTL-coated alu, left incl. adapter M16x1	2	Pc.
10	1205-0027	Brake plate, black KTL-coated alu, right incl. adapter M16x1	2	Pc.

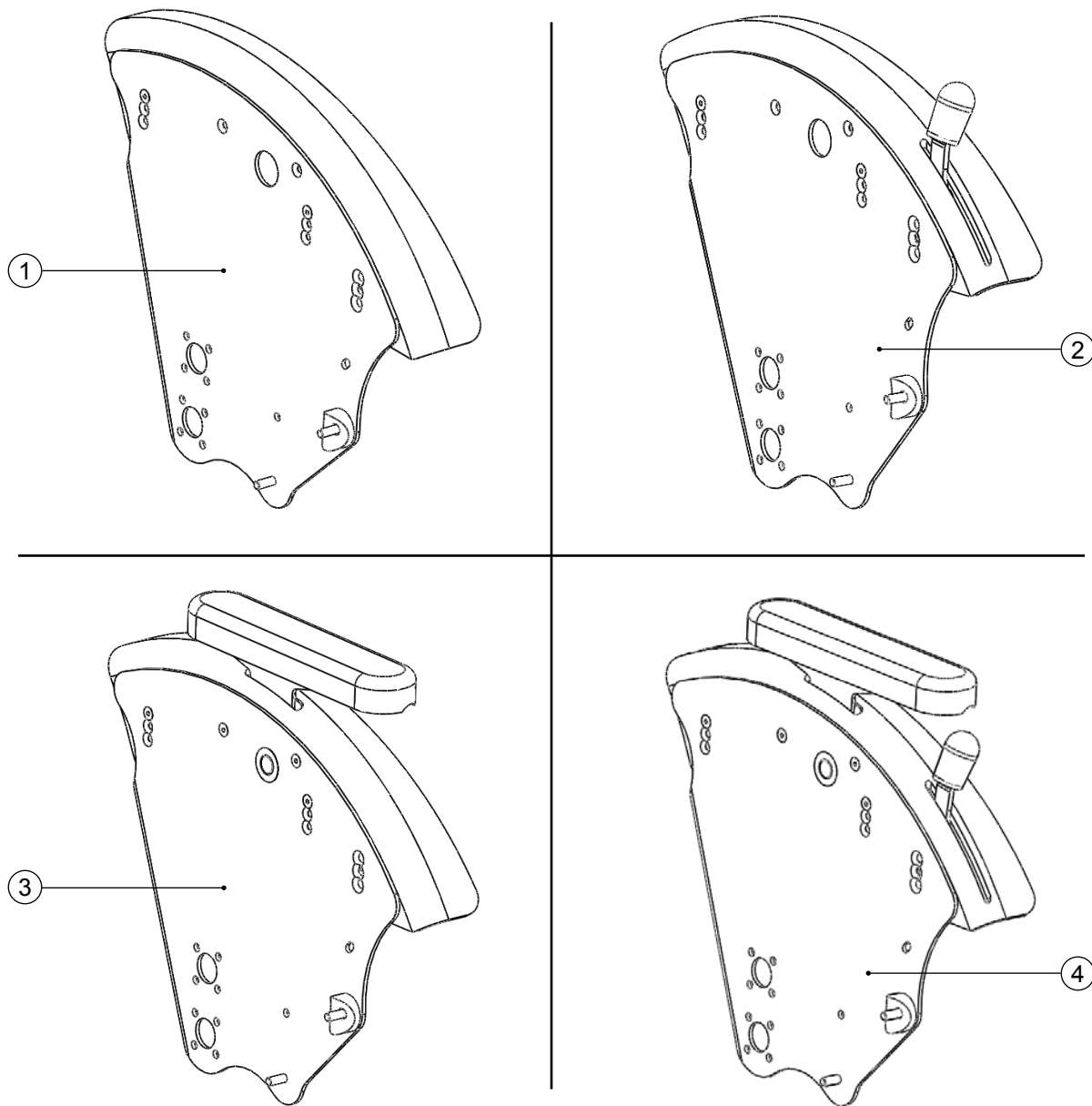
Spare parts



Pos	Artikelnummer	Artikelbezeichnung	Menge	ME
1	1209-0030	Bremshebel für Schiebebügel	2	Pc.
	1209-0026	Bremshebel für Schiebegriffe	2	Pc.
2	1029-0001	Bowdenzugset	2	Pc.
3	1205-0055	Bowdenzugführung flex (nur bei Schiebegriffe)	2	Pc.

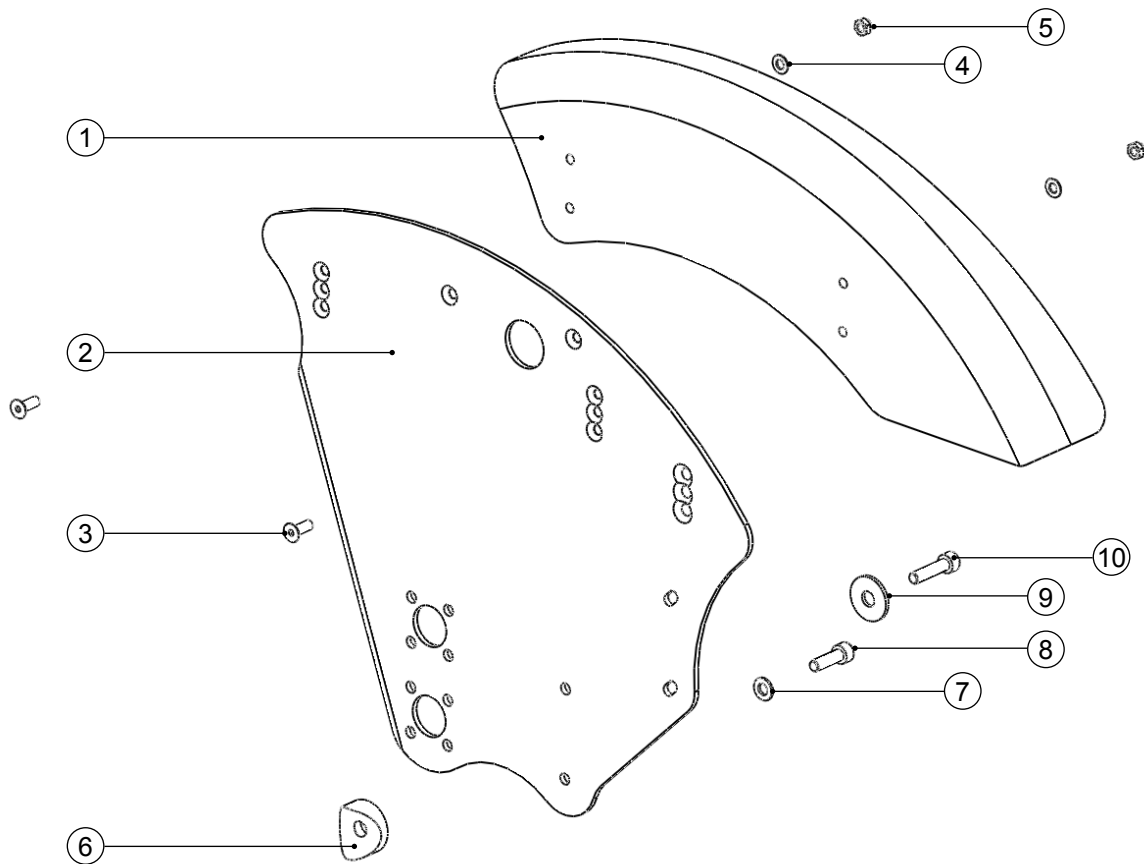
Thes items belong to Drumbreak`s!

Spare parts



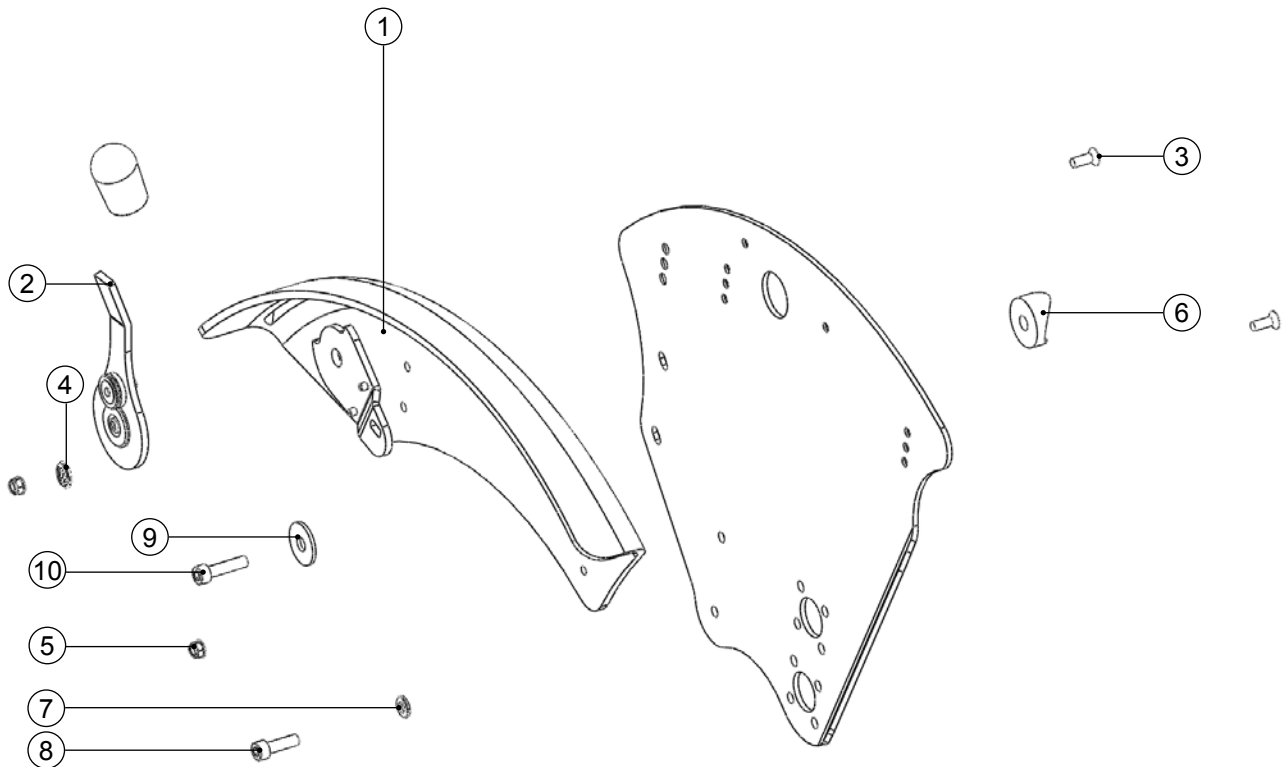
Pos	Article number	Articel description	Page
1	3006-160X	Wheel cover	31
2	3007-160X	Wheel cover with integrated break	32
3	3006-168X	Wheelcover with arm rest	36
4	3007-168X	Wheel cover with integrated break and arm rest	37

Spare parts



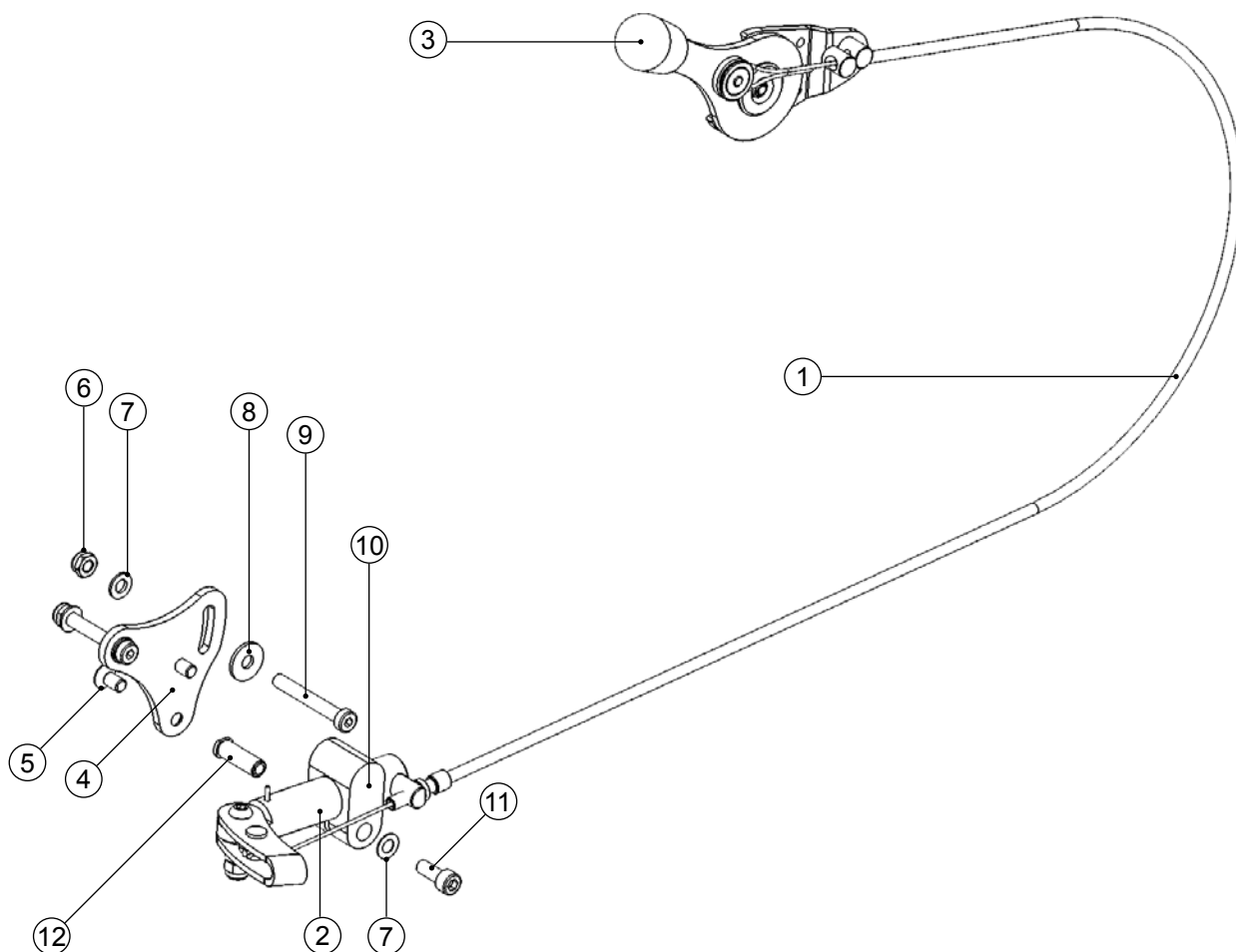
Pos	Article number	Articel description	Quantity	Unit
1-11	3006-1602	Wheel cover 22"	1	Set
	3006-1604	Wheel cover 24"	1	Set
1	3248-1632	Wheel cover left 22"	1	Pc.
	3248-1642	Wheel cover right 22"	1	Pc.
	3248-1652	Wheel cover left 24"	1	Pc.
	3248-1662	Wheel cover right 24"	1	Pc.
2	3006-1693-015	Holder wheel cover 22 " left	1	Pc.
	3006-1694-015	Halter Radabdeckung 22" right	1	Pc.
	3006-1695-015	Holder wheel cover 24 " left	1	Pc.
	3006-1696-015	Holder wheel cover 24 " right	1	Pc.
3	1024-0514	Hexagon socket countersunk head screw M5x14	4	Pc.
4	1055-0005	Washer A5,3	4	Pc.
5	1042-0005	Hexagon nut self-locking M5	4	Pc.
6	1111-0006	Saddle washer PA black 28x8.4x5	2	Pc.
7	1051-0006	Washer A6,4	2	Pc.
8	1021-0620	Hexagon socket head cap screw M6x20	2	Pc.
9	1055-0006	Washer A6,4	2	Pc.
10	1021-0625	Hexagon socket head cap screw M6x25	2	Pc.
11	1049-0061	Rivet nut steel countersunk head 90° M6x9x17	4	Pc.

Spare parts



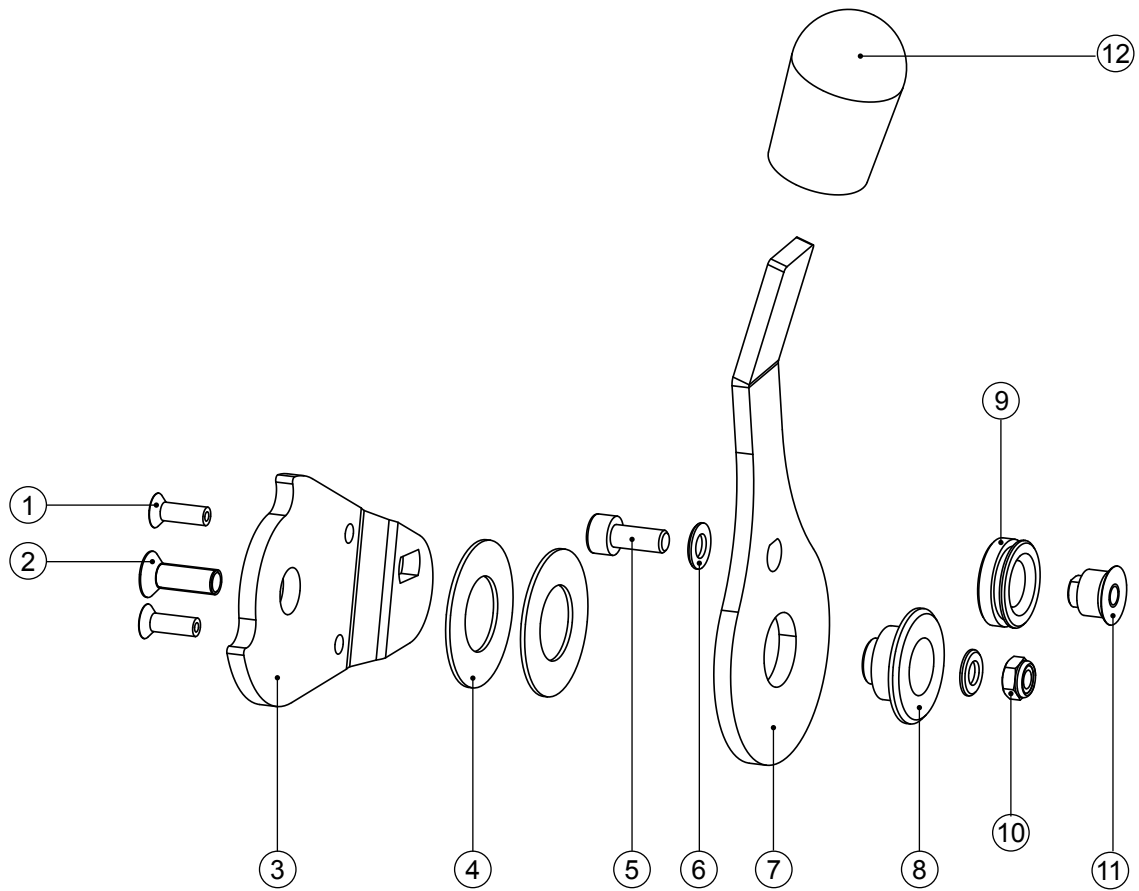
Pos	Article number	Articel description	Quantity	Unit
1-11	3006-1602	Wheel cover 22"	1	Set
	3006-1604	Wheel cover 24"	1	Set
1	3248-1632	Wheel cover left 22"	1	Pc.
	3248-1642	Wheel cover right 22"	1	Pc.
	3248-1652	Wheel cover left 24"	1	Pc.
	3248-1662	Wheel cover right 24"	1	Pc.
2	3006-1693-015	Holder wheel cover 22 " left	1	Pc.
	3006-1694-015	Halter Radabdeckung 22" right	1	Pc.
	3006-1695-015	Holder wheel cover 24 " left	1	Pc.
	3006-1696-015	Holder wheel cover 24 " right	1	Pc.
3	1024-0514	Hexagon socket countersunk head screw M5x14	4	Pc.
4	1055-0005	Washer A5,3	4	Pc.
5	1042-0005	Hexagon nut self-locking M5	4	Pc.
6	1111-0006	Saddle washer PA black 28x8.4x5	2	Pc.
7	1051-0006	Washer A6,4	2	Pc.
8	1021-0620	Hexagon socket head cap screw M6x20	2	Pc.
9	1055-0006	Washer A6,4	2	Pc.
10	1021-0625	Hexagon socket head cap screw M6x25	2	Pc.
11	1049-0061	Rivet nut steel countersunk head 90° M6x9x17	4	Pc.

Spare parts



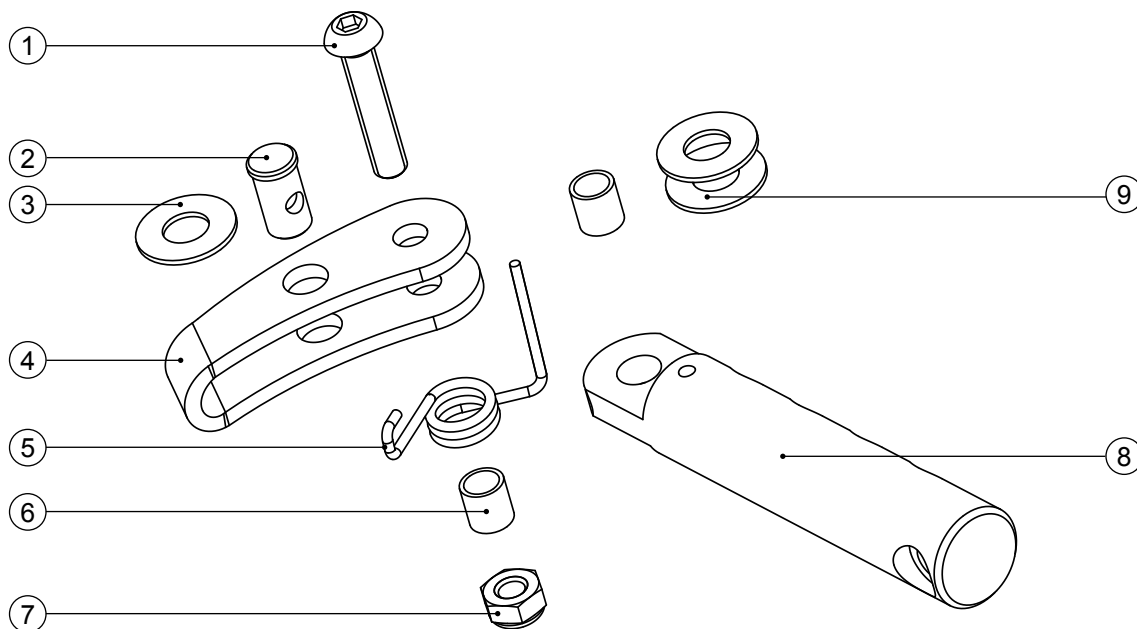
Pos	Article number	Articel description	Quantity	Unit
1-12	3007-1709E	SHERPA components for integrated break	1	Set
1	1209-0025	brake cable	2	Pc.
2	3240-1710E	Break left	1	Set
	3240-1720E	Break right	1	Set
3	3240-1740E	Break lever left	1	Set
	3240-1750E	Break lever right	1	Set
4	3006-1711-015	Base plate brake holder SHERPA left 20 " - 24 "	1	Pc.
	3006-1712-015	Base plate brake holder SHERPA right 20 " - 24 "	1	Pc.
5	1024-0612	Hexagon socket countersunk head screw M6x12	4	Pc.
6	1042-0006	Hexagon nut self-locking M6	4	Pc.
7	1051-0006	Washer A6,4	8	Pc.
8	1055-0006	Washer A6,4	2	Pc.
9	1022-0645	Hexagon socket head cap screw M6x45	4	Pc.
10	3249-1721-007	Clamp for brake mechanism	2	Pc.
11	1021-0616	Hexagon socket head cap screw M6x16	2	Pc.
12	3275-1731	Brake clamp Bearing	2	Pc.

Spare parts



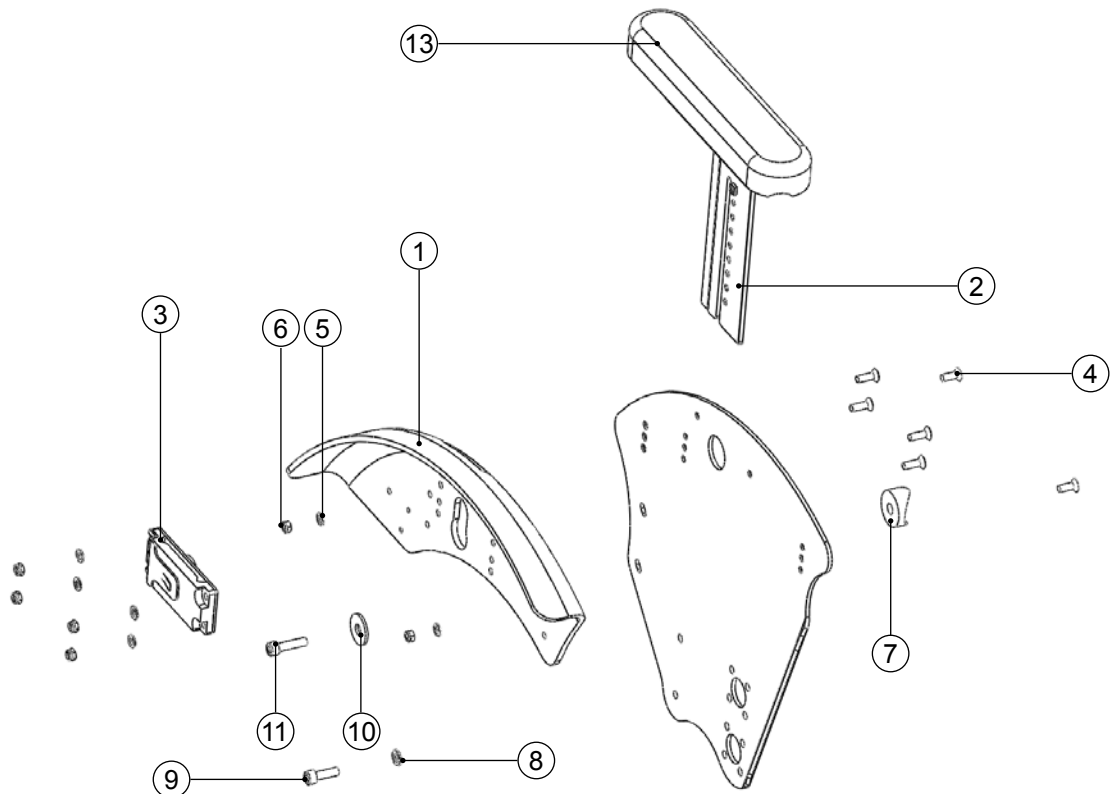
Pos	Article number	Articel description	Quantity	Unit
1-12	3240-1740E	Break lever, left	1	Set
	3240-1750E	Break lever, right	1	Set
1	1063-0412	Blind rivet S4x12	2	Pc.
2	1024-0516	Hexagon socket countersunk head screw M5x16	1	Pc.
3	3251-1741	Base plate brake lock lever, left	1	Pc.
	3251-1751	Base plate brake lock lever, right	1	Pc.
4	1113-0048	Washer PA natural 16,5x32x1	2	Pc.
5	1021-0512	Cylinder head screw M5x12	1	Pc.
6	1051-0005	Washer A5,3	2	Pc.
7	3240-1742-015	Brake lock lever, FS black	1	Pc.
8	3240-1743	Lever bearing	1	Pc.
9	3240-1747	Cable roll	1	Pc.
10	1042-0005	Hexagon nut self-locking M5	1	Pc.
11	3240-1745	Cable support	1	Pc.
12	3251-1744	Rubber grip for brake lever	1	Pc.

Spare parts



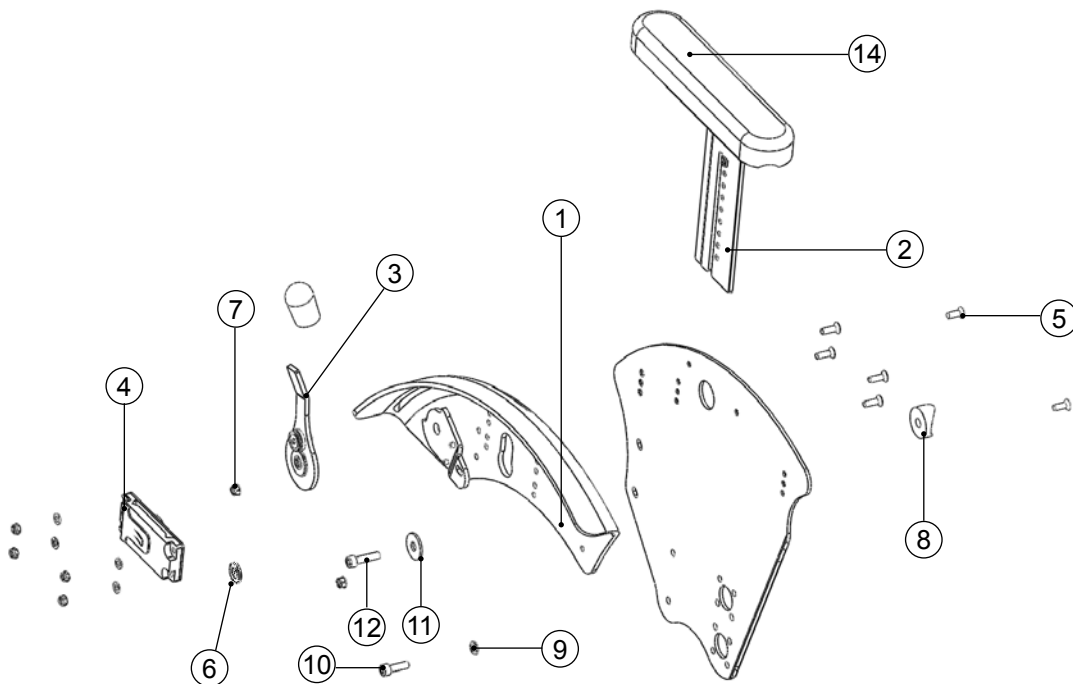
Pos	Article number	Articel description	Quantity	Unit
1-9	3240-1710E	Break left	1	Set
	3240-1720E	Break right	1	Set
1	1029-0630	Button head socket screw M6x30	1	Pc.
2	1099-0014	Ball end cable holder 9/8x15,5 mm hole-4mm	1	Pc.
3	1113-0003	Washer PA 18x8,4x1 black	2	Pc.
4	3240-1712-006	Brake lock lever, anodised	1	Pc.
5	3240-1761	Retaining spring, left	1	Pc.
	3240-1762	Retaining spring, right	1	Pc.
6	1114-0055	Bushing 8x0,8x8,7	2	Pc.
7	1042-0006	Hexagon nut self-locking M6	1	Pc.
8	3240-1711-006	Brake lever bracket	1	Pc.
9	1113-0035	Washer PA 18x8,4x2 black	1	Pc.

Spare parts



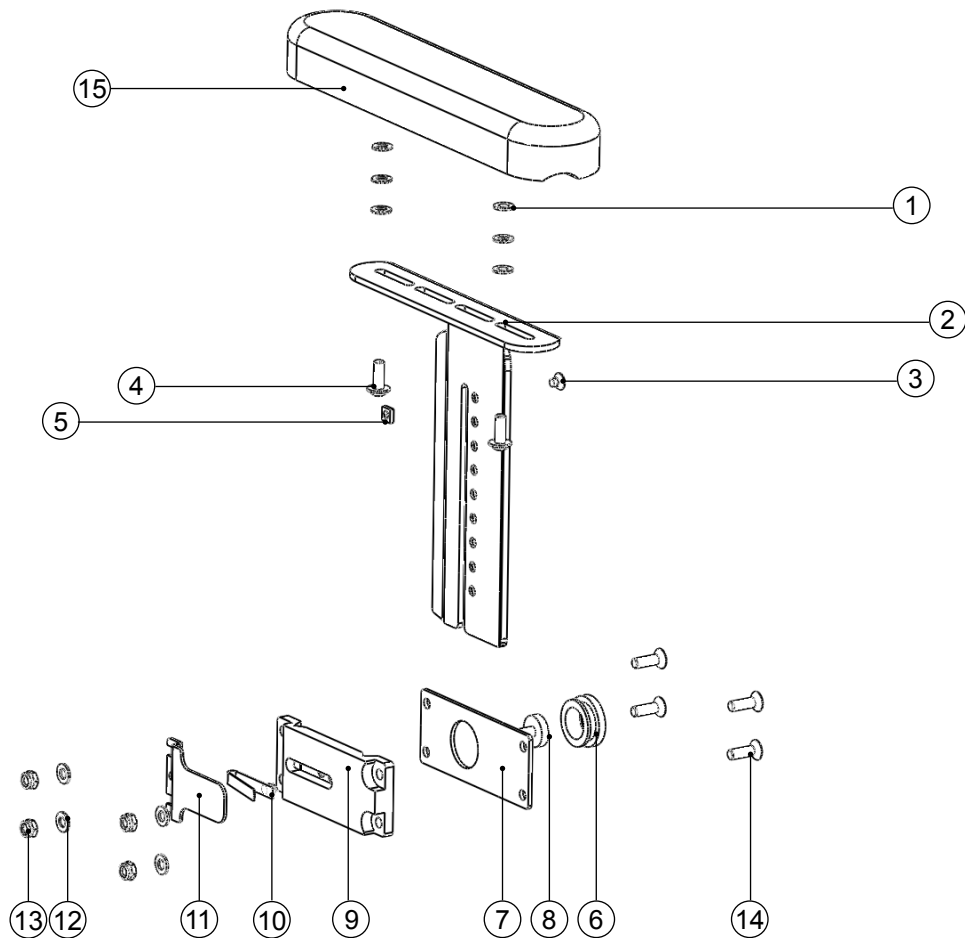
Pos	Article number	Articel description	Quantity	Unit
1-13	3006-1682	Wheel cover 22" with height adjustable, removable armrests	1	Set
	3006-1684	Wheel cover 24" with height adjustable, removable armrests	1	Set
1	3275-1632	Wheel cover 22" left for armrest	1	Pc.
	3275-1642	Wheel cover 22" right for armrest	1	Pc.
	3275-1652	Wheel cover 24" left for armrest	1	Pc.
	3275-1662	Wheel cover 24" right for armrest	1	Pc.
2	3261-6211E	Armrests carrier left	1	Set
	3261-6221E	Armrests carrier right	1	Set
3	3275-6230E	Arm rest holder	2	Set's
4	1024-0514	Hexagon socket countersunk head screw M5x14	4	Pc.
5	1055-0005	Washer A5,3	4	Pc.
6	1042-0005	Hexagon nut self-locking M5	4	Pc.
7	1111-0006	Saddle washer PA black 28x8.4x5	2	Pc.
8	1051-0006	Washer A6,4	2	Pc.
9	1021-0620	Hexagon socket head cap screw M6x20	2	Pc.
10	1055-0006	Washer A6,4	2	Pc.
11	1021-0625	Hexagon socket head cap screw M6x25	2	Pc.
12	1049-0061	Rivet nut steel countersunk head 90° M6x9x17	2	Pc.
13	7000-0051	Armrest pads 235 mm PU black	2	Pc.
	7000-0052	Armrest pads 270 mm PU black	2	Pc.

Spare parts



Pos	Article number	Articel description	Quantity	Unit
1-14	3007-1682	Wheel cover 22" with integrated break and height adjustable arm rest	1	Set
	3007-1684	Wheel cover 24" with integrated break and height adjustable arm rest	1	Set
1	3275-1631E	Wheel cover left 22" with base plate for break lever	1	Set
	3275-1641E	Wheel cover right 22" with base plate for break lever	1	Set
	3275-1651E	Wheel cover for arm rest, left, 24" with base plate for break lever	1	Set
	3275-1661E	Wheel cover for arm rest, right, 24" with base plate for break lever	1	Set
2	3261-6211E	Armrests carrier left	1	Set
	3261-6221E	Armrests carrier right	1	Set
3	3240-1740	Break lever, left	1	Set
	3240-1750	Break lever, right	1	Set
4	3275-6230E	Arm rest holder	2	Set
5	1024-0514	Hexagon socket countersunk head screw M5x14	4	Pc.
6	1055-0005	Washer A5,3	4	Pc.
7	1042-0005	Hexagon nut self-locking M5	4	Pc.
8	1111-0006	Saddle washer PA black 28x8.4x5	2	Pc.
9	1051-0006	Washer 125 A6,4	2	Pc.
10	1021-0620	Hexagon socket head cap screw M6x20	2	Pc.
11	1055-0006	Washer A6,4	2	Pc.
12	1021-0625	Hexagon socket head cap screw M6x25	2	Pc.
13	1049-0061	Rivet nut steel countersunk head 90° M6x9x17	4	Pc.
14	7000-0051	Armrest pads 235 mm PU black	2	Pc.
	7000-0052	Armrest pads 270 mm PU black	2	Pc.

Spare parts



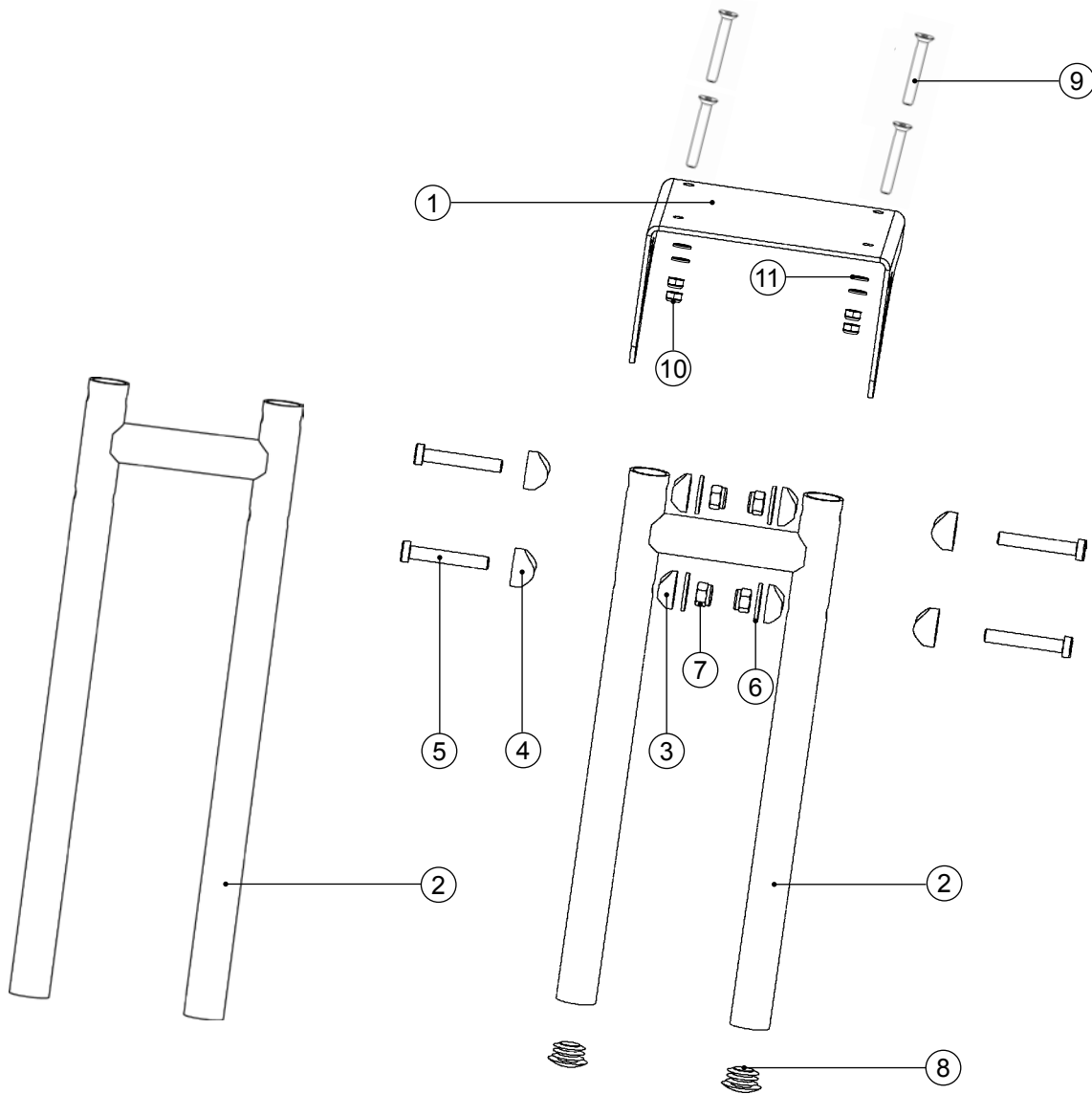
Pos	Article number	Articel description	Quantity	Unit
1-5	3261-6211E	Armrests carrier left, with mounting material	1	Set
	3261-6221E	Armrests carrier right, with mounting material	1	Set
1	1051-0005	Washer A5,3 zp DIN/ISO 125 A5,3	12	Pc.
2	3261-6211	Armrests carrier left	1	Pc.
	3261-6221	Armrests carrier right	1	Pc.
3	1023-0405	Countersunk flat head screw M4x5	2	Pc.
4	1030-0518	Button head socket screw with flange M5x18	4	Pc.
5	1049-0071	Square nut DIN 562 - M4	2	Pc.
6-14	3275-6230	Arm rest holder	1	Set
6	3275-6232	Guide bush	2	Pc.
7	3261-6235	Intermediate plate	2	Pc.
8	3261-6234	Button	2	Pc.
9	3261-6231	Arm rest holder cover	2	Pc.
10	1134-0005	Snap button A 102	2	Pc.
11	3261-6233-007	Spring cover	2	Pc.
12	1051-0005	Washer A5,3 zp DIN/ISO 125 A5,3	8	Pc.
13	1042-0005	Hexagon nut self-locking M5	8	Pc.
14	1029-0520	Button head socket screw M5x20	8	Pc.
15	7000-0051	Armrest pads 235 mm PU black	2	Pc.
	7000-0052	Armrest pads 270 mm PU black	2	Pc.

Spare parts



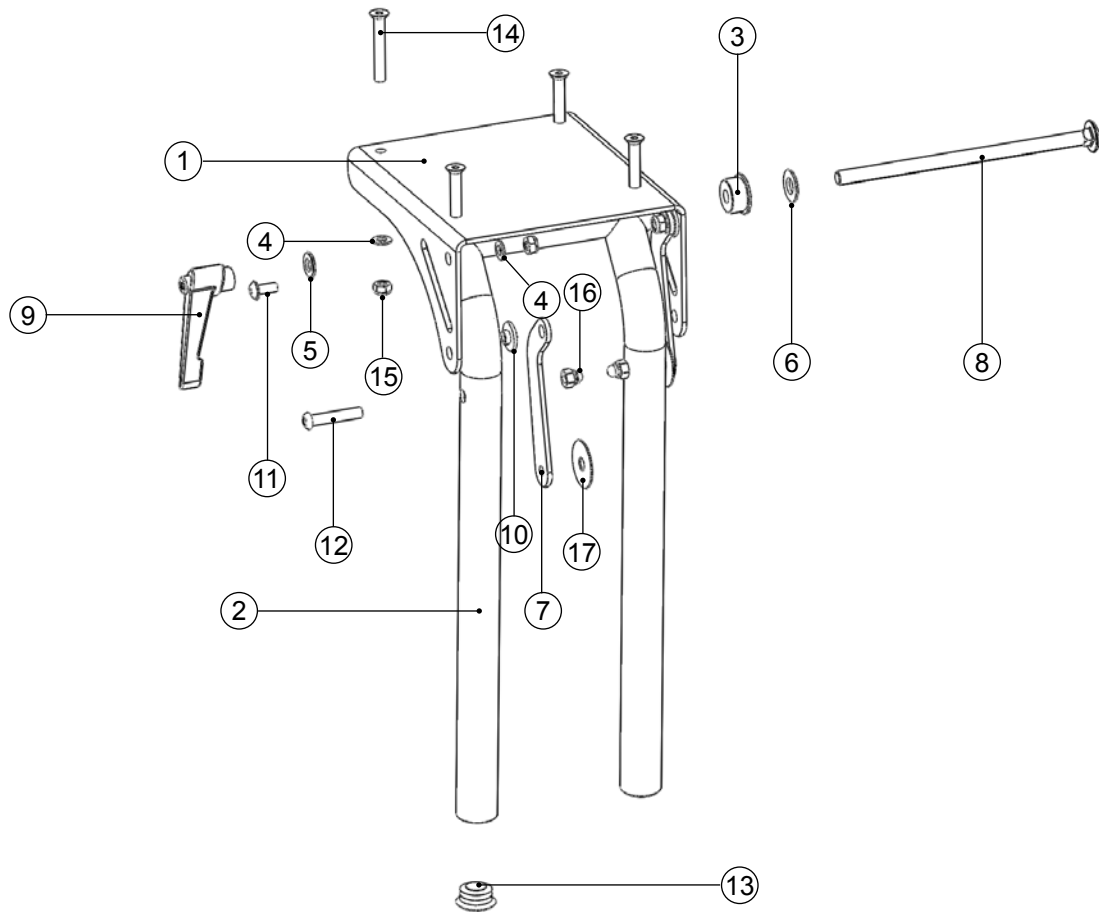
Pos	Article number	Articel description	Quantity	Uni
1-2	1204-1013	Spoke guard 22", transparent	1	Set
	1204-1014	Spoke guard 24", transparent	1	Set
	1204-1018	Spoke guard 22", for drum break, transparent	1	Set
	1204-1019	Spoke guard 24", for drum break, transparent	1	Set
	1204-1013-XXX	Spoke guard 22", with Motif	1	Set
	1204-1014-XXX	Spoke guard 24", with Motif	1	Set
	1204-1018-XXX	Spoke guard 22", drum break, with Motif	1	Set
	1204-1019-XXX	Spoke guard 24", drum break, with Motif	1	Set
1	1204-1031	Spoke guard 22", transparent	1	Pc.
	1204-1032	Spoke guard 24", transparent	1	Pc.
	1204-1033	spoke guard 22", for drum break, transparent	1	Pc.
	1204-1034	spoke guard 24", for drum break, transparent	1	Pc.
	1204-1031-XXX	Spoke guard 22", with Motif	1	Pc.
	1204-1032-XXX	Spoke guard 24", with Motif	1	Pc.
	1204-1033-XXX	Spoke guard 22" drum break, with Motif	1	Pc.
	1204-1034-XXX	Spoke guard 24" drum break, with Motif	1	Pc.
2	1205-0033	Fastening clips for Spoke guard transparent ABS	6	Pc.

Spare parts



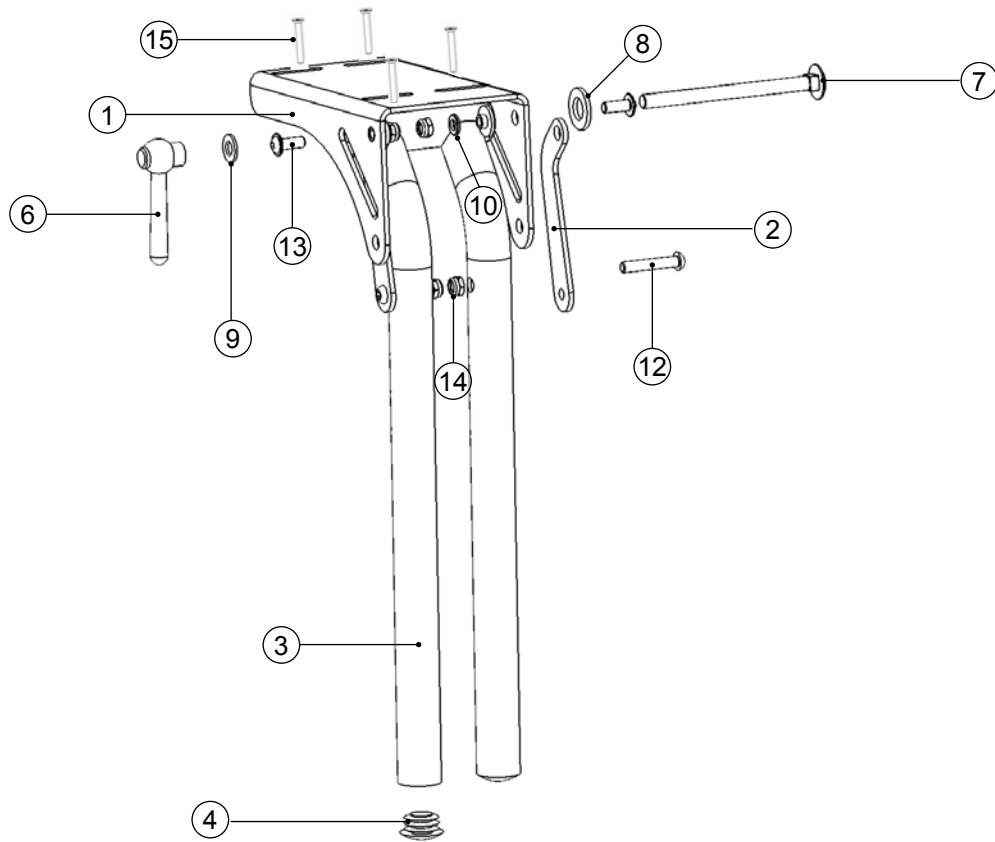
Pos	Article number	Articel description	Quantity	Unit
1-11	3006-4005E-015	Foot rest hanger 90°, lower leg length short	1	Set
	3006-4006E-015	Foot rest hanger 90°, lower leg length long	1	Set
1	3245-4121-007	Console, black anodised	1	Pc.
2	3245-4250-015	Footrest adapter short size 2	1	Pc.
	3245-4260-015	Footrest adapter long size 2	1	Pc.
3	1111-0012	Saddle washer PA black 24x8.4x3	4	Pc.
4	1111-0014	Saddle washer PA black 24x8.4x6	4	Pc.
5	1022-0850	Hexagon socket head cap screw M8x50	4	Pc.
6	1055-0008	Washer A8,4	4	Pc.
7	1042-0008	Hexagon nut self-locking M8	4	Pc.
8	1141-0009	ribbed insert SFL 25x1-2,5	2	Pc.
9	1024-0640	Hexagon socket countersunk head screw M6x40	4	Pc.
10	1042-0006	Hexagon nut self-locking M6	4	Pc.
11	1051-0006	Washer A6,4	4	Pc.

Spare parts



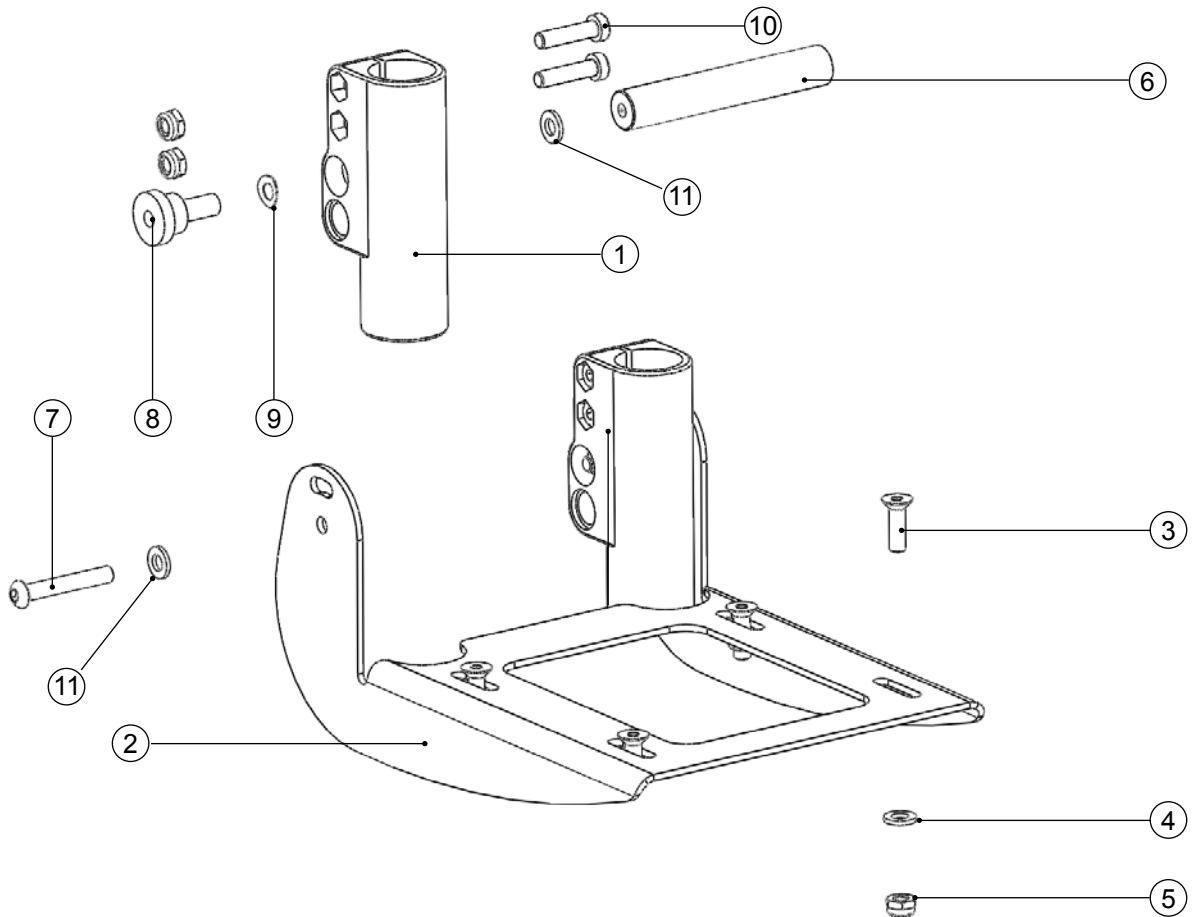
Pos	Article number	Articel description	Quantity	Unit
1-17	3006-4007E-015	Foot rest hanger angle adjustable 85-160°, lower leg short	1	Set
	3006-4008E-015	Foot rest hanger angle adjustable 85-160°, lower leg long	1	Set
1	3245-4121-007	Console, black anodised	4	Pc.
2	3245-4270-015	Footrest adapter short	1	Pc.
	3245-4280-015	Footrest adapter long	1	Pc.
3	3245-4151	Clamping bush	2	Pc.
4	1051-0006	Washer A6,4	8	Pc.
5	1051-0008	Washer A8,4	1	Pc.
6	1051-0012	Washer A 13	1	Pc.
7	3245-4132	Pivoting lever	2	Pc.
8	1026-0817	Mushroom head square neck bolt M8x170	1	Pc.
9	1121-0800	Locking lever PA black M8	1	Pc.
10	1114-0027	Threaded bushing 8xM6x32	2	Pc.
11	1029-0616	Button head socket screw M6x16	2	Pc.
12	1029-0630	Button head socket screw M6x30	2	Pc.
13	1141-0009	Ribbed insert SFL 25x1-2,5	2	Pc.
14	1024-0640	Hexagon socket countersunk head screw M6x40	4	Pc.
15	1042-0006	Hexagon nut self-locking M6	6	Pc.
16	1044-0006	Hexagonal domed cap nut self-locking M6	2	Pc.
17	1113-0035	Washer PA 18x8,4x2 black	4	Pc.

Spare parts



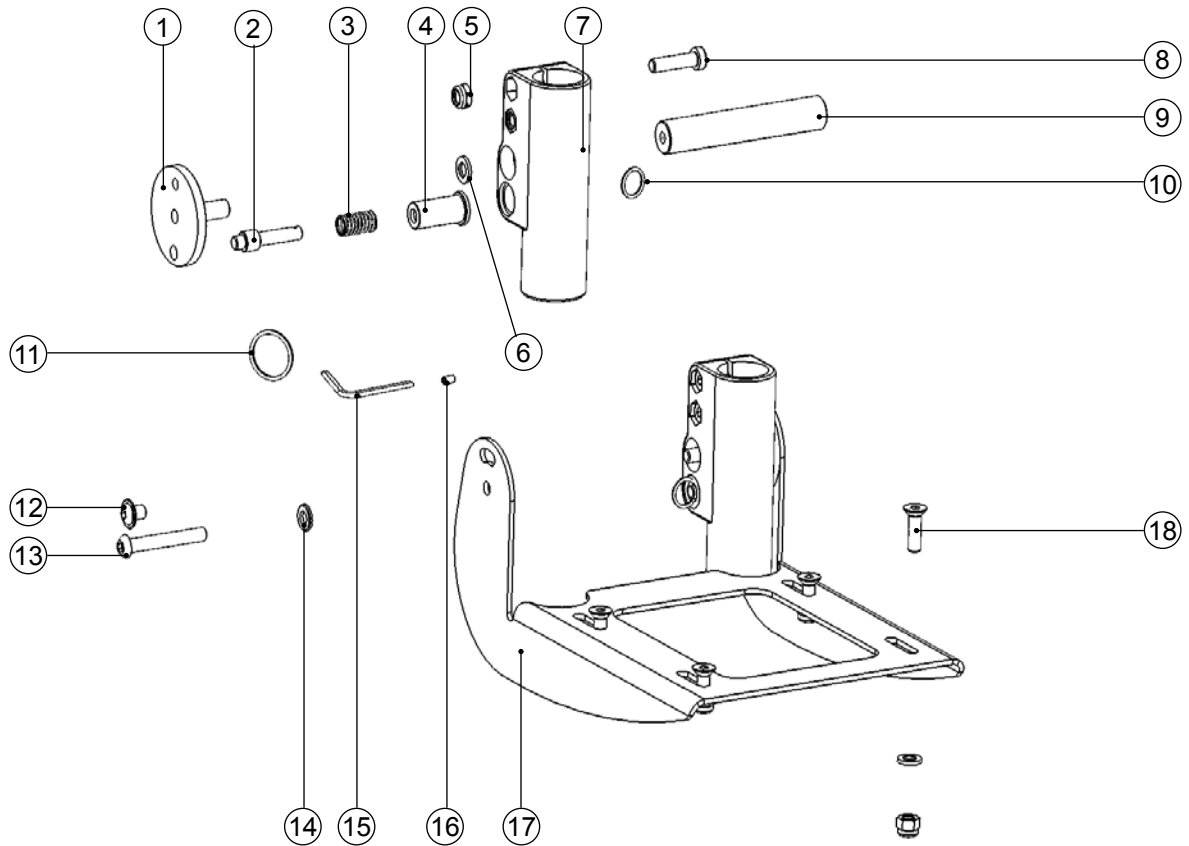
Pos	Article number	Articel description	Quantity	Unit
1-15	3006-4003E-015	Singel foot rest hanger angle adjustable 85-160°, lower leg short	1	Set
	3006-4004E-015	Singel foot rest hanger angle adjustable 85-160°, lower leg long	1	Set
1	3232-2411-007	Console for footrest anodized	2	Pc.
2	3231-2432	Operating lever	4	Pc.
3	3232-2510-015	Bracket for footrest hanger angle adjustable, size 1	2	Pc.
	3234-2510-015	Bracket for footrest hanger angle adjustable, size 2	2	Pc.
4	1141-0006	Ribbed insert SFL 20x0,8-2,5	4	Pc.
5	3245-4151	Clamping bush	4	Pc.
6	1129-0013	Adjustable coniform lever M8	2	Pc.
7	1026-0811	Mushroom head square neck bolt M8x110	2	Pc.
8	1051-0010	Washer A10,5	2	Pc.
9	1055-0008	Washer A8,4	2	Pc.
10	1051-0006	Washer A6,4	12	Pc.
11	3210-1238	Shoulder bushing	4	Pc.
12	1029-0630	Button head socket screw M6x30	4	Pc.
13	1030-0616	Button head socket screw with flange M6x16	4	Pc.
14	1042-0006	Hexagon nut self-locking M6	16	Pc.
15	1024-0640	Hexagon socket countersunk head screw M6x40	8	Pc.

Spare parts



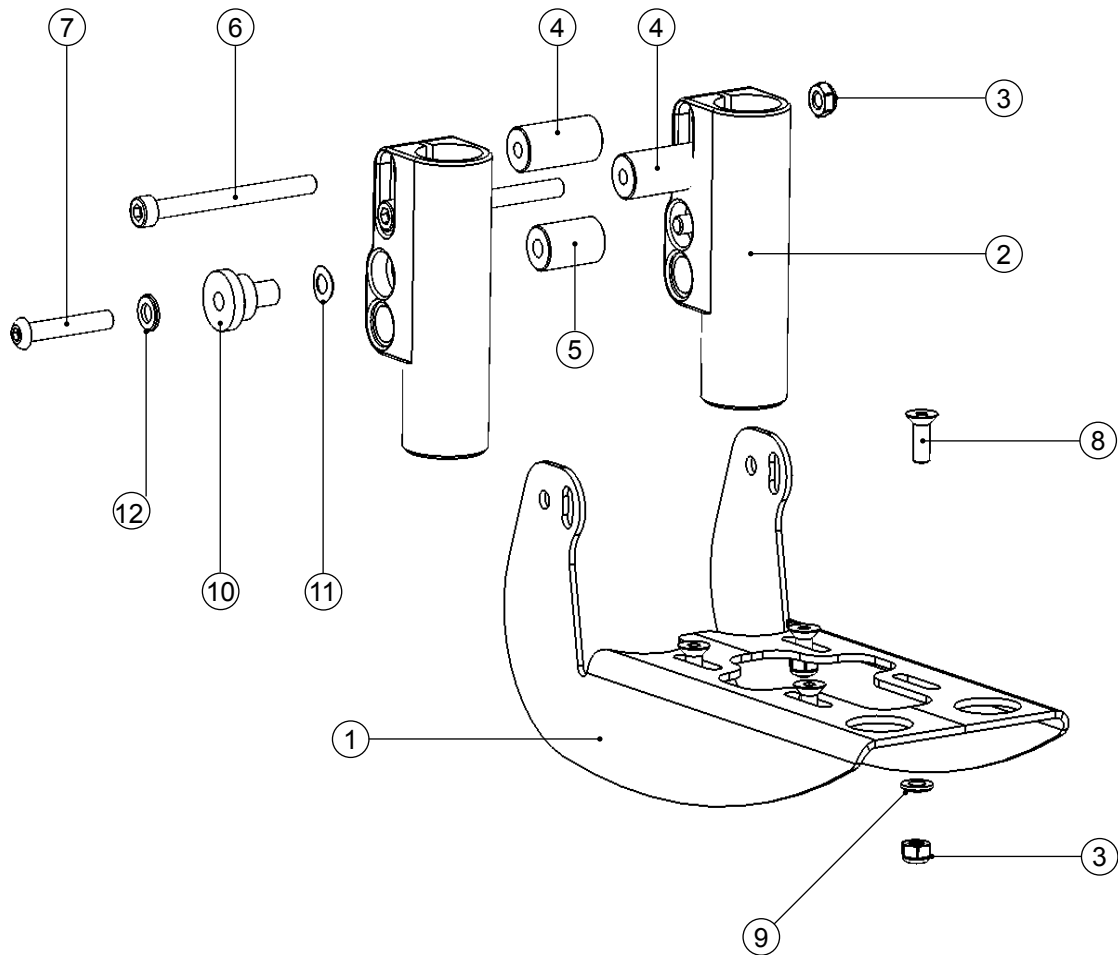
Pos	Article number	Articel description	Quantity	Unit
1-10	3245-4302E	Foot rest bracket angle adjustable, flip up type	1	Set
1	3245-4321	Conductor	2	Pc.
2	3245-4311-015	Footrest bearing, structural black	1	Pc.
3	1024-0620-033	Hexagon socket countersunk head screw black M6x20	4	Pc.
4	1055-0006	Washer A6,4	4	Pc.
5	1042-0006	Hexagon nut self-locking M6	8	Pc.
6	3245-4323	Stabiliser	1	Pc.
7	1029-0645	Button head socket screw M6x45	2	Pc.
8	3245-4322	Bushing	2	Pc.
9	1052-0008	Spring washer B8	2	Pc.
10	1022-0625	Hexagon socket head cap screw M6x25	4	Pc.
11	1051-0006	Washer A6,4	4	Pc.

Spare parts



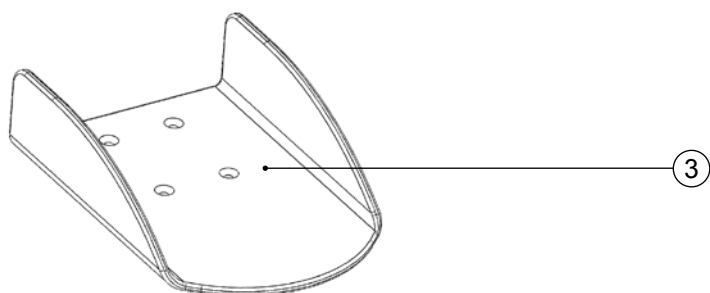
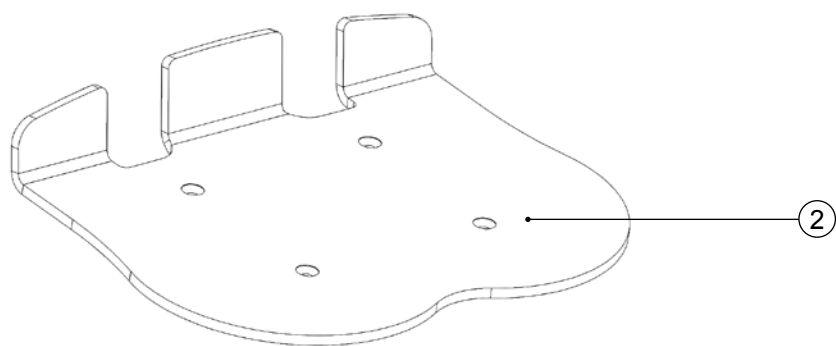
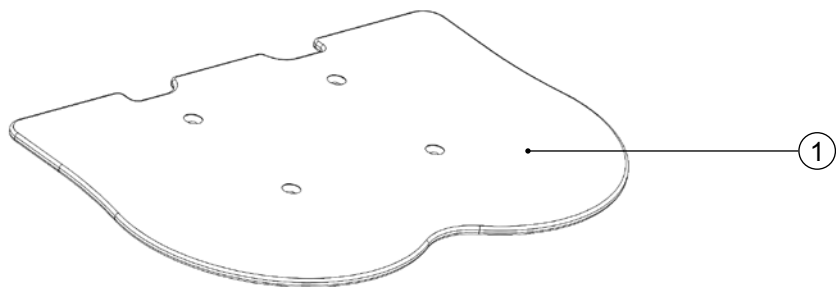
Pos	Article number	Articel description	Quantity	Unit
1-18	3245-4303E	Foot rest bracket angle adjustable, with interlocking	1	Set
1	3201-7510	Lock plate	2	Pc.
2	3201-7530	Lock pin	2	Pc.
3	1131-0036	Compression spring D-127d 0,8x8,3x29	2	Pc.
4	3201-7520	Spring housing	2	Pc.
5	1042-0006	Hexagon nut self-locking M6	8	Pc.
6	1052-0008	Spring washer B8	2	Pc.
7	3245-4321	Conductor	2	Pc.
8	1022-0625	Hexagon socket head cap screw M6x25	2	Pc.
9	3245-4323	Stabiliser	2	Pc.
10	1129-0036	Key ring 16x1,6	2	Pc.
11	1129-0003	Key ring 24x1,5	1	Pc.
12	1030-0608	Button head socket screw with flange M6x8	2	Pc.
13	1029-0645	Button head socket screw M6x45	2	Pc.
14	1051-0006	Washer A6,4	6	Pc.
15	1129-0011	Wire-rope 1,2x1,8 mm	0,3	m
16	1089-0005	Cable clamp	2	Pc.
17	3245-4311-015	Footrest bearing, structural black	1	Pc.
18	1024-0620	Hexagon socket countersunk head screw M6x20	4	Pc.

Spare parts



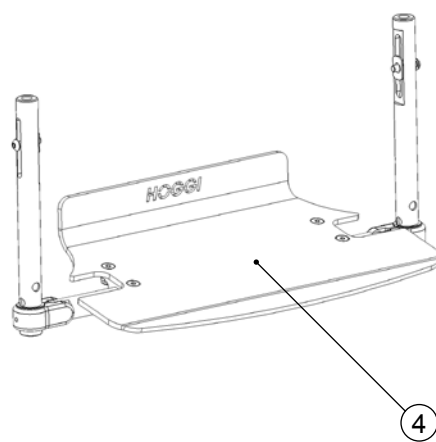
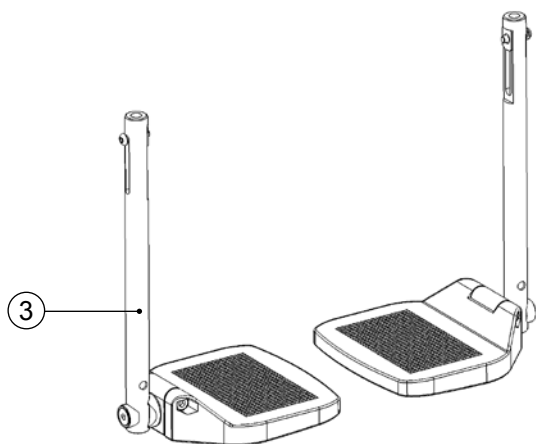
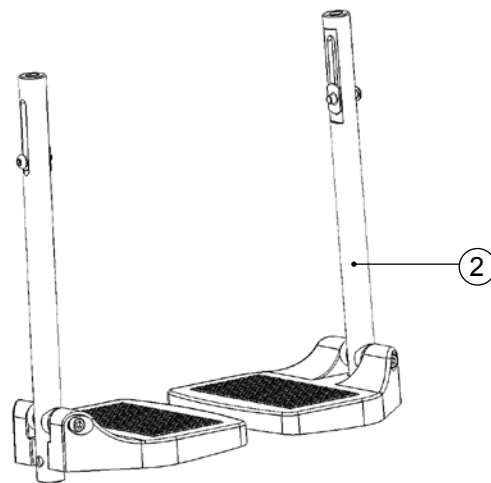
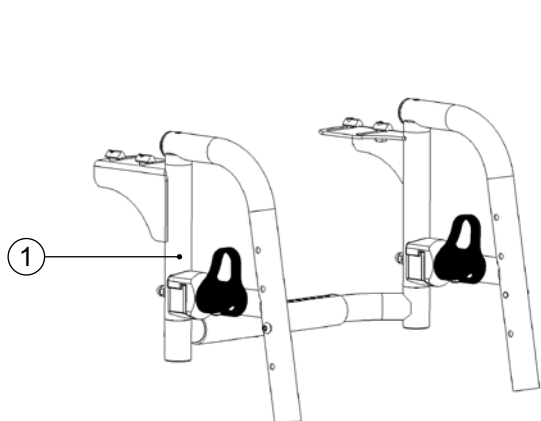
Pos	Article number	Articel description	Quantity	Unit
1-11	3247-4300E	Footrest holder for single footrests	1	Set
1	3247-4311-015	Footrest bearing	1	Pc.
2	3201-2520	Footboard holder	2	Pc.
3	1042-0006	Hexagon nut self-locking M6	6	Pc.
4	3245-4322	Bushing	2	Pc.
5	3247-4323	Stabilizer	1	Pc.
6	1021-0675	Hexagon socket head cap screw M6x75	2	Pc.
7	1029-0640	Button head socket screw M6x40	2	Pc.
8	1024-0620	Hexagon socket countersunk head screw M6x20	4	Pc.
9	1055-0006	Washer A6,4	4	Pc.
10	3201-2530	Bushing	2	Pc.
11	1052-0008	Spring washer B8	2	Pc.
12	1051-0006	Washer A6,4	2	Pc.

Spare parts



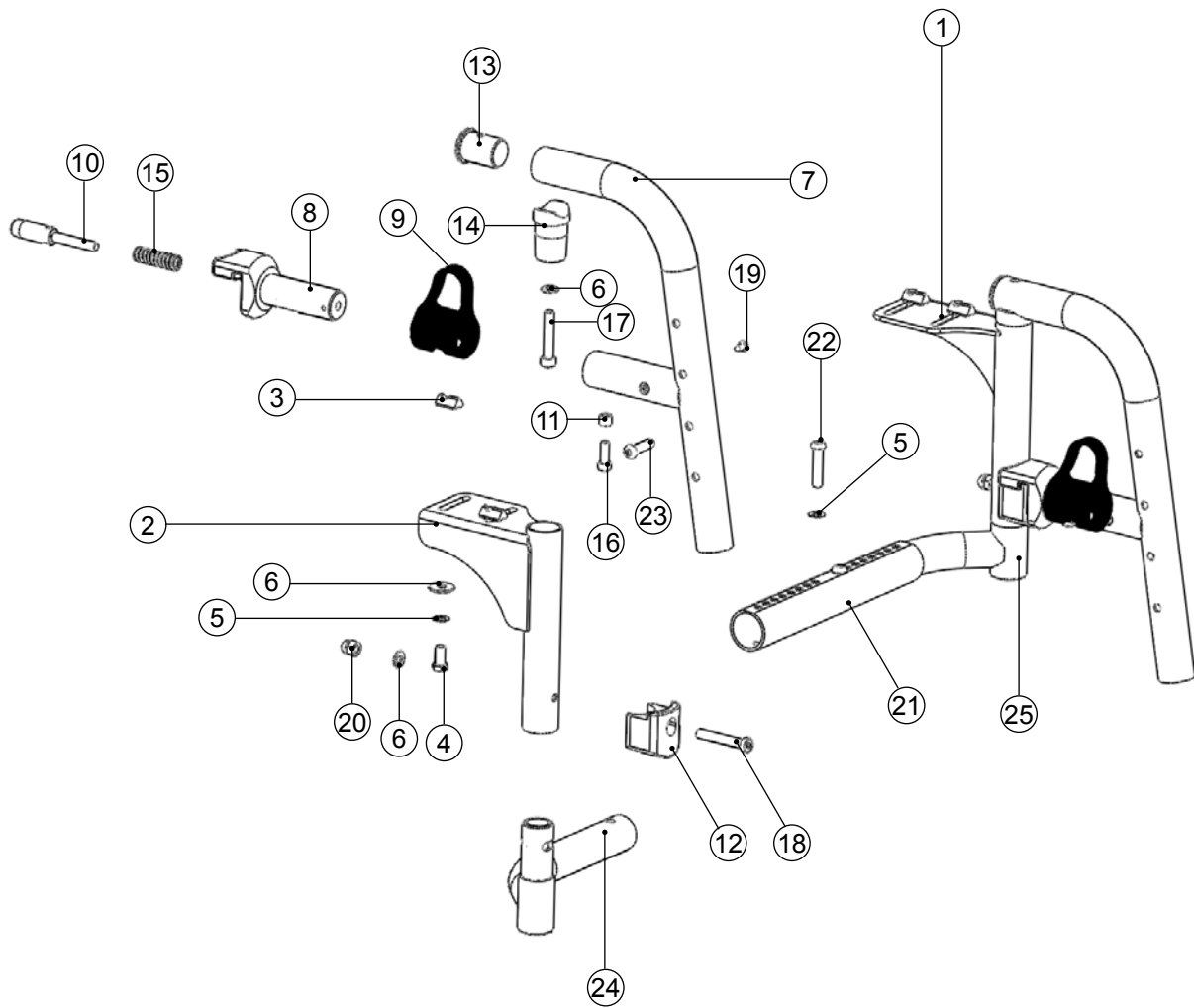
Pos	Article number	Articel description	Quantity	Unit
1	3245-44SW	Foot rest	1	Pc.
2	3245-45SW	Foot rest with heel stop	1	Pc.
3	3234-2551	Single foot plate in trough shape size 2 (160x240)	2	Pc.

Spare parts



Pos	Article number	Articel description	Page
1	3007-400X	SHERPA Vario Footrest 80 °	49-50
2	3007-410X	Foot board kit standard	51
3	3007-41XX	Foot board kit angle adjustable	52-53
4	3007-412X	Aluminium-Footboard throughout	54-55

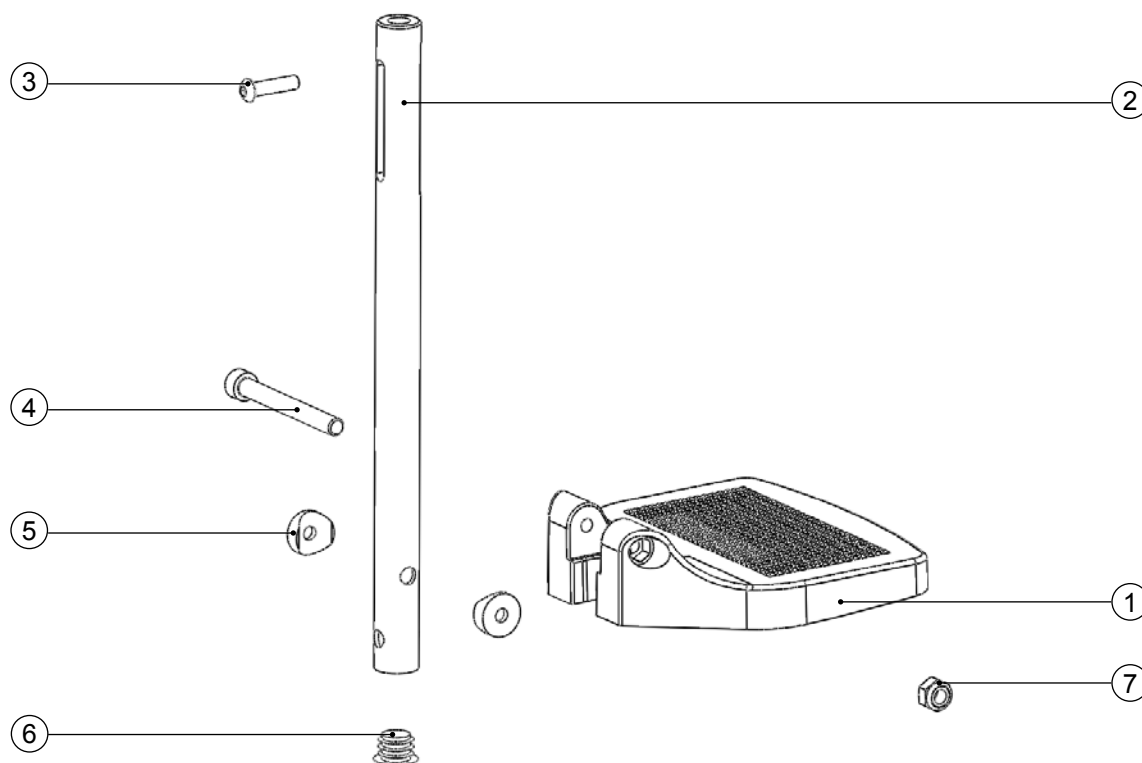
Spare parts



Spare parts

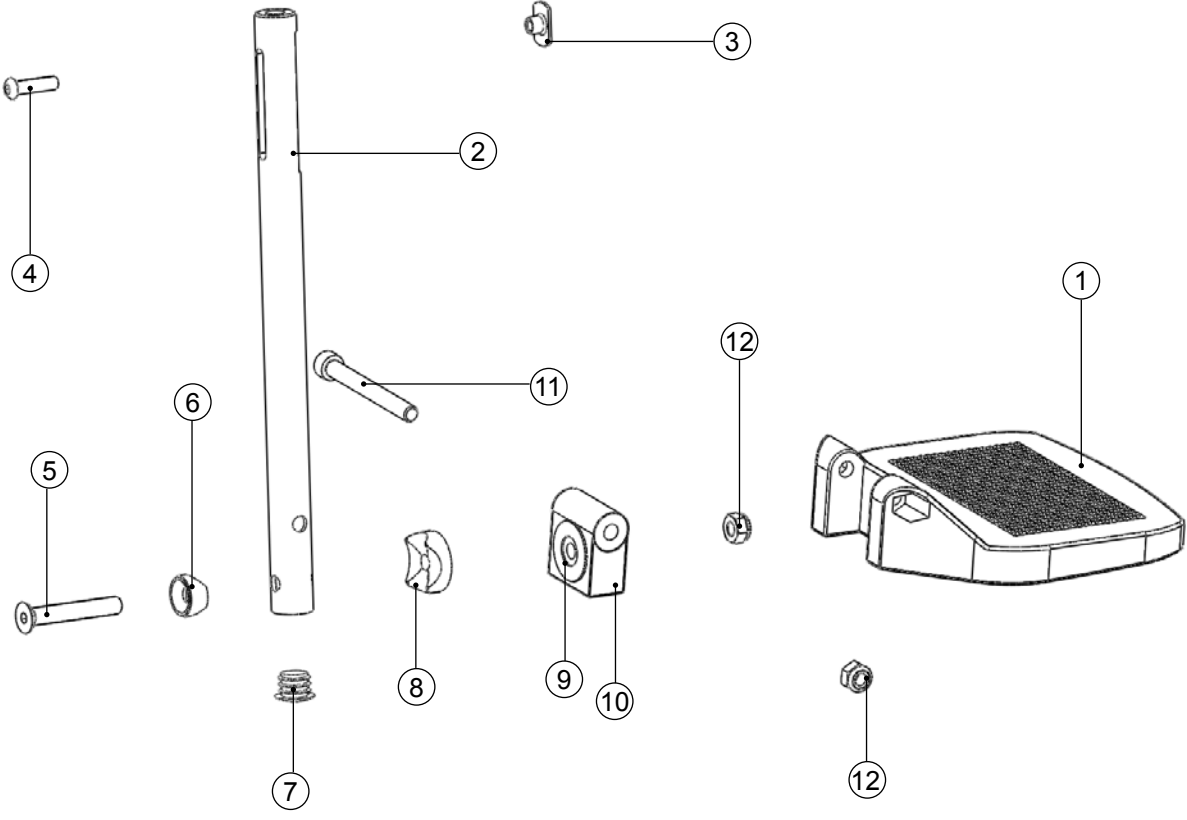
Pos	Article number	Articel description	Quantity	Unit
1-25	3007-4002E	SHERPA Vario Footrest 80 ° SW 36-44	1	Pc.
1	3006-4110-015	Footrest intake left	1	Pc.
2	3006-4120-015	Footrest intake right	1	Pc.
3	1049-0072	Nut insert for system profile, M6	4	Pc.
4	1011-0614	Hexagon head screw M6x14	4	Pc.
5	1052-0006	Spring washer B6	4	Pc.
6	1051-0006	Washer A6,4	8	Pc.
7-20	3006-4130-000	Swing frame 80 °, complete	2	Pc.
7	3006-4130	Swing frame 80 °	2	Pc.
8	3006-4141	Bolt guide	2	Pc.
9	3006-4142	Trigger	2	Pc.
10	3006-4143	Locking bolt	2	Pc.
11	3006-4144	Bushing guide 8x6x5,1	2	Pc.
12	3006-4145	Latch block	2	Pc.
13	3006-4146	Catch 25x21xM6	2	Pc.
14	3006-4147	Guide pin	2	Pc.
15	1131-0043	Compression spring D-143F, 0,9x9,50x35,00x8,5	2	Pc.
16	1021-0516	Hexagon socket head cap screw M5x16	2	Pc.
17	1021-0635	Hexagon socket head cap screw M6x35	2	Pc.
18	1022-0640	Cylinder head screw M6x40	2	Pc.
19	1039-0007	screw for plastic, cross rcessed pan head w. flange 4x8	4	Pc.
20	1044-0006	Hexagonal domed cap nut self-locking M6	2	Pc.
21	3006-4167	Coupling tube	1	Pc.
22	1029-0630	Button head socket screw M6x30	2	Pc.
23	1029-0625	Button head socket screw M6x25	2	Pc.
24	3006-4170	Cross strut left	1	Pc.
25	3006-4171	Cross strut right	1	Pc.

Spare parts



Pos	Article number	Articel description	Quantity	Unit
1-7	3007-4101E	Plastic-Footboard standard flip up typ SW 36	1	Pair
1-7	3007-4102E	Plastic-Footboard standard flip up typ, SW40+SW44	1	Pair
1	7000-0107	Foot plate L172xW150 black	1	Pc.
	7000-0108	Foot plate L189xW150 black	1	Pc.
2	3262-2118-007	Telescopic tube std footrest size. 2-1	2	Pc.
	3262-2119-007	Telescopic tube std footrest size. 2-2	2	Pc.
3	1029-0625	Button head socket screw M6x25	2	Pc.
4	1021-0865	Hexagon socket head cap screw M8x65	2	Pc.
5	1111-0019	Saddle washer PA black 20 x 6,4 x 2,5	2	Pc.
6	1141-0011	Ribbed insert SFL 23x0,8-3,0	2	Pc.
7	1042-0008	Hexagon nut self-locking M8	2	Pc.

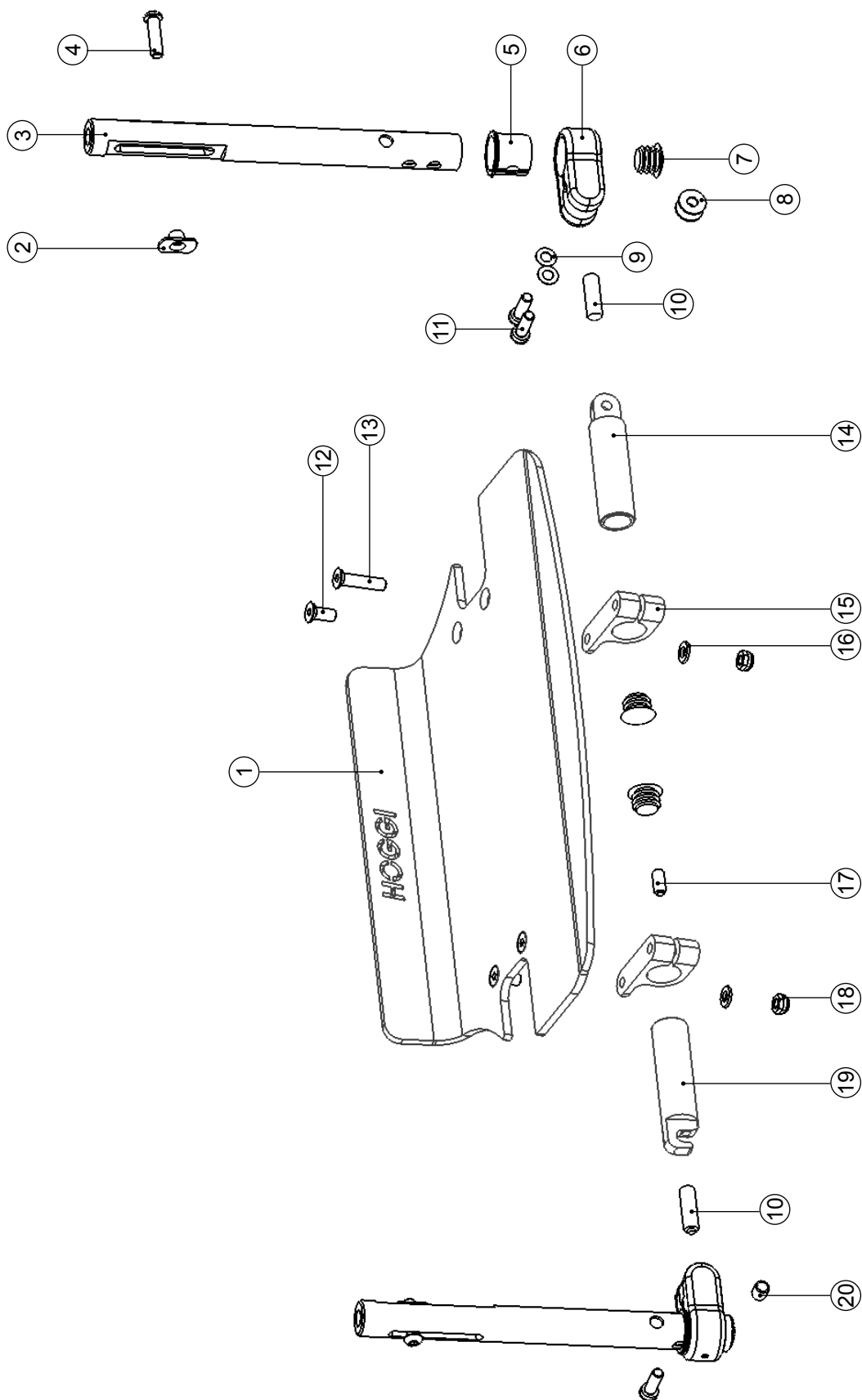
Spare parts



Spare parts

Pos	Article number	Articel description	Quantity	Unit
1-13	3007-4104E	Plastic-Footboard, angle adj., flip up, lo. leg, 28-39cm foot width 23-29 SW3	1	Set
1-13	3007-4105E	Plastic-Footboard, angle adj., flip up, lo. leg, 28-39cm foot width 25-31 SW4	1	Set
1-13	3007-4106E	Plastic-Footboard, angle adj., flip up, lo. leg, 28-39cm foot width 27-33 SW4	1	Set
1-13	3007-4107E	Plastic-Footboard, angle adj., flip up, lo. leg, 28-39cm foot width 29-35 SW4	1	Set
1-13	3007-4108E	Plastic-Footboard, angle adj., flip up, lo. leg, 28-39cm foot width 31-37 SW4	1	Set
1-13	3007-4109E	Plastic-Footboard, angle adj., flip up, lo. leg, 28-39cm foot width 35-41 SW4	1	Set
1-13	3007-4114E	Plastic-Footboard, angle adj., flip up, lo. leg, 34-47cm foot width 23-29 SW3	1	Set
1-13	3007-4115E	Plastic-Footboard, angle adj., flip up, lo. leg, 34-47cm foot width 25-31 SW4	1	Set
1-13	3007-4116E	Plastic-Footboard, angle adj., flip up, lo. leg, 34-47cm foot width 27-33 SW4	1	Set
1-13	3007-4117E	Plastic-Footboard, angle adj., flip up, lo. leg, 34-47cm foot width 29-35 SW4	1	Set
1-13	3007-4118E	Plastic-Footboard, angle adj., flip up, lo. leg, 34-47cm foot width 31-37 SW4	1	Set
1-13	3007-4119E	Plastic-Footboard, angle adj., flip up, lo. leg, 34-47cm foot width 35-41 SW4	1	Set
1	7000-0093	Foot plate L150xW160 black	2	Pc.
	7000-0094	Foot plate L160xW160 black	2	Pc.
	7000-0095	Foot plate L170xW160 black	2	Pc.
	7000-0096	Foot plate L185xW160 black	2	Pc.
	7000-0097	Foot plate L200xW160 black	2	Pc.
2	3262-2118-007	Telescopic tube std footrest size. 2-1 black anodized	2	Pc.
	3262-2119-007	Telescopic tube std footrest size. 2-2 black anodized	2	Pc.
3	1049-0052	T-nut L-769 zp 22x14xM6x8,5	2	Pc.
4	1029-0625	Button head socket screw M6x25	2	Pc.
5	1024-0855	Hexagon socket countersunk head screw M8x55	2	Pc.
6	3261-2117-007	Saddle washer 20x8	2	Pc.
7	1141-0006	Ribbed insert SFL 20x0,8-2,5	2	Pc.
8	7000-0101	Locking wheel with radius R10 and R12,5, D30x11,3	2	Pc.
9	7000-0100	Locking wheel with hexagon S19, D30x12.8/6	2	Pc.
10	7000-0102	Plastic hinge for footplate, 39.4/38.5x20	2	Pc.
11	1021-0865	Hexagon socket head cap screw M8x65	2	Pc.
12	1042-0008	Hexagon nut self-locking M8	2	Pc.

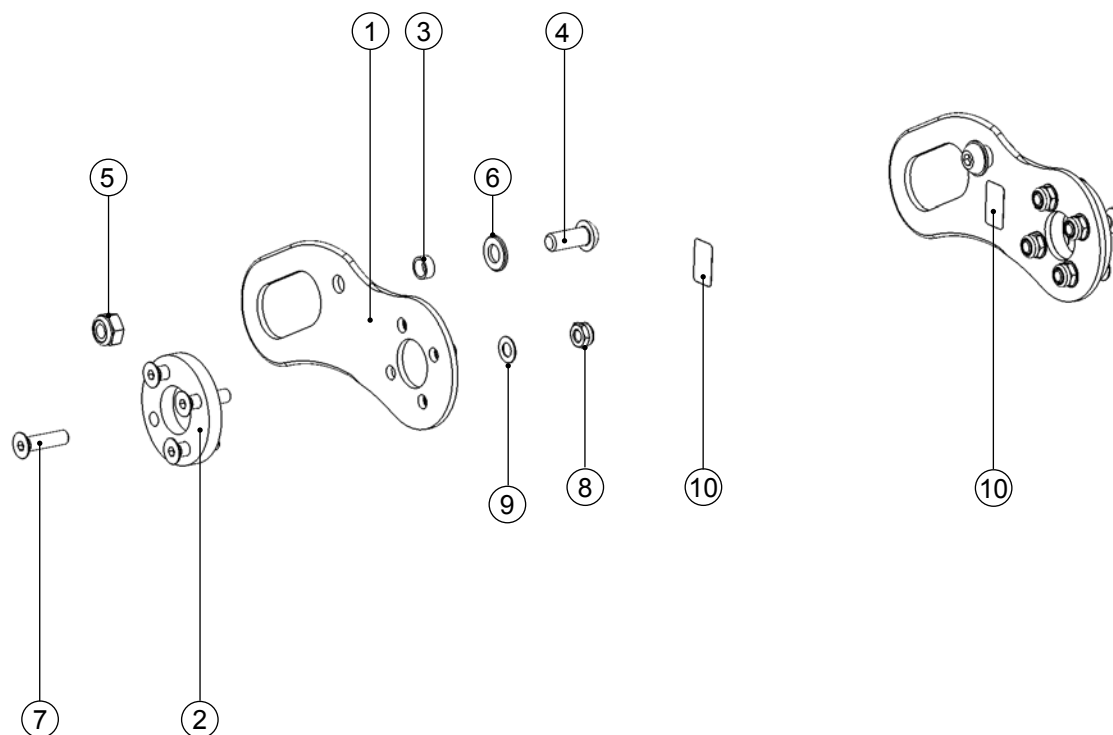
Spare parts



Spare parts

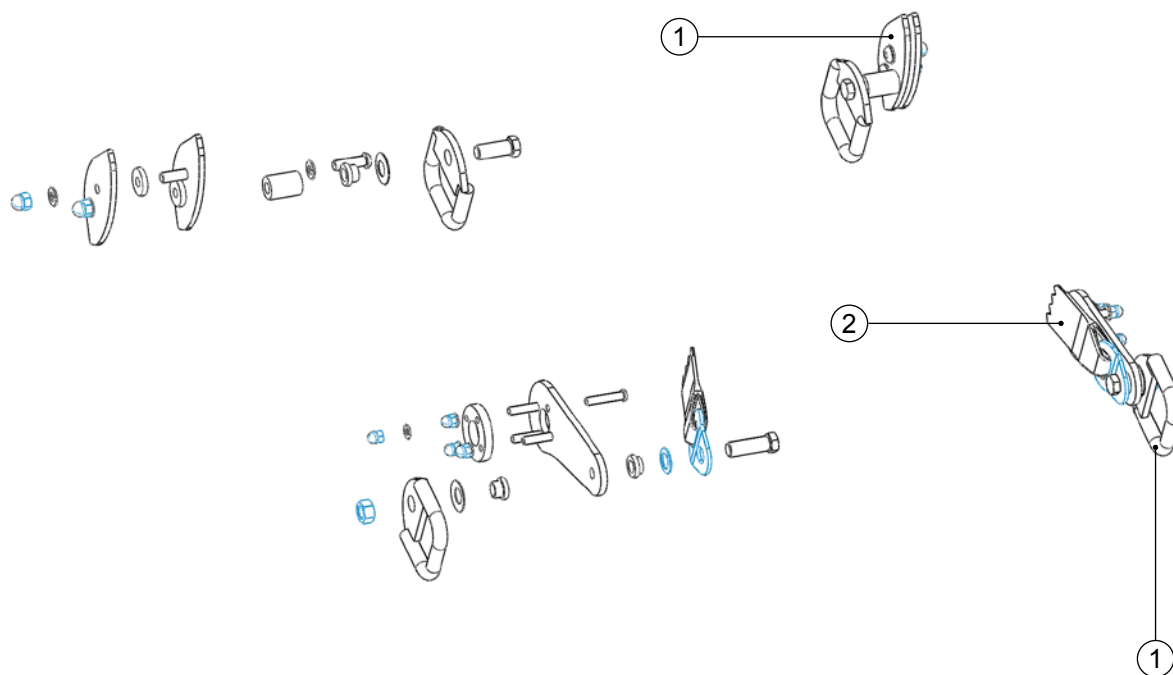
Pos	Article number	Articel description	Quantity	Unit
1-20	3007-4121E	Footboard set throughout UL 26-37 Footwell Width 30 (SW36) to 36	1	Set
1-20	3007-4122E	Footboard set throughout UL 26-37 Footwell width 34 (SW40) to 40	1	Set
1-20	3007-4123E	Footboard set throughout UL 26-37 Footwell width 38 (SW44) to 44	1	Set
1-20	3007-4124E	Footboard set throughout UL 26-37 Footwell width 42 (SW48) to 48	1	Set
1-20	3007-4126E	Footboard set throughout UL 32-45 Footwell width 30 (SW36) to 36	1	Set
1-20	3007-4127E	Footboard set throughout UL 32-45 Footwell width 34 (SW40) to 40	1	Set
1-20	3007-4128E	Footboard set throughout UL 32-45 Footwell width 38 (SW44) to 44	1	Set
1-20	3007-4129	Footboard set throughout UL 32-45 Footwell width 42 (SW48) to 48	1	Set
1	3006-4436-015	Alu Foot rest with heel stop, FS black SW 36	1	Pc.
1	3006-4440-015	Alu Foot rest with heel stop, FS black SW 40	1	Pc.
1	3006-4444-015	Alu Foot rest with heel stop, FS black SW 44	1	Pc.
2	1049-0052	T-nut L-769 zp 22x14xM6x8,5	2	Pc.
3	3262-2118-007	Telescopic tube std footrest size. 2-1 black anodized	2	Pc.
	3262-2119-007	Telescopic tube std footrest size. 2-2 black anodized	2	Pc.
4	1029-0625	Button head socket screw M6x25	2	Pc.
5	3261-2711	Sliding sleeve	2	Pc.
6	3261-2710-007	Swivel joint eloxal black	2	Pc.
7	1141-0006	Ribbed insert SFL 20x0,8-2,5	2	Pc.
8	1113-0046	Washer PE white 16x6,4x1	2	Pc.
9	1052-0006	Spring washer B6	4	Pc.
10	1071-0826	Parallel pin DIN/ISO 7 8m6x26	2	Pc.
11	1022-0620	Hexagon socket head cap screw M6x20	4	Pc.
12	1024-0616-033	Hexagon socket countersunk head screw black M6x16	2	Pc.
13	1024-0630-033	Hexagon socket countersunk head screw black M6x30	2	Pc.
14	3007-2713-007	Joint shaft	1	Pc.
15	3261-2116-006	Footboard bracket	2	Pc.
16	1052-0006	Spring washer B6	2	Pc.
17	1139-0002	Spring-loaded pressure piece with ball GN 615.3-M6-K	1	Pc.
18	1042-0006	Hexagon nut self-locking M6	2	Pc.
19	3007-2712-007	Snap-on	1	Pc.
20	1114-0055	Bushing 8x0,8x8,7	1	Pc.

Spare parts



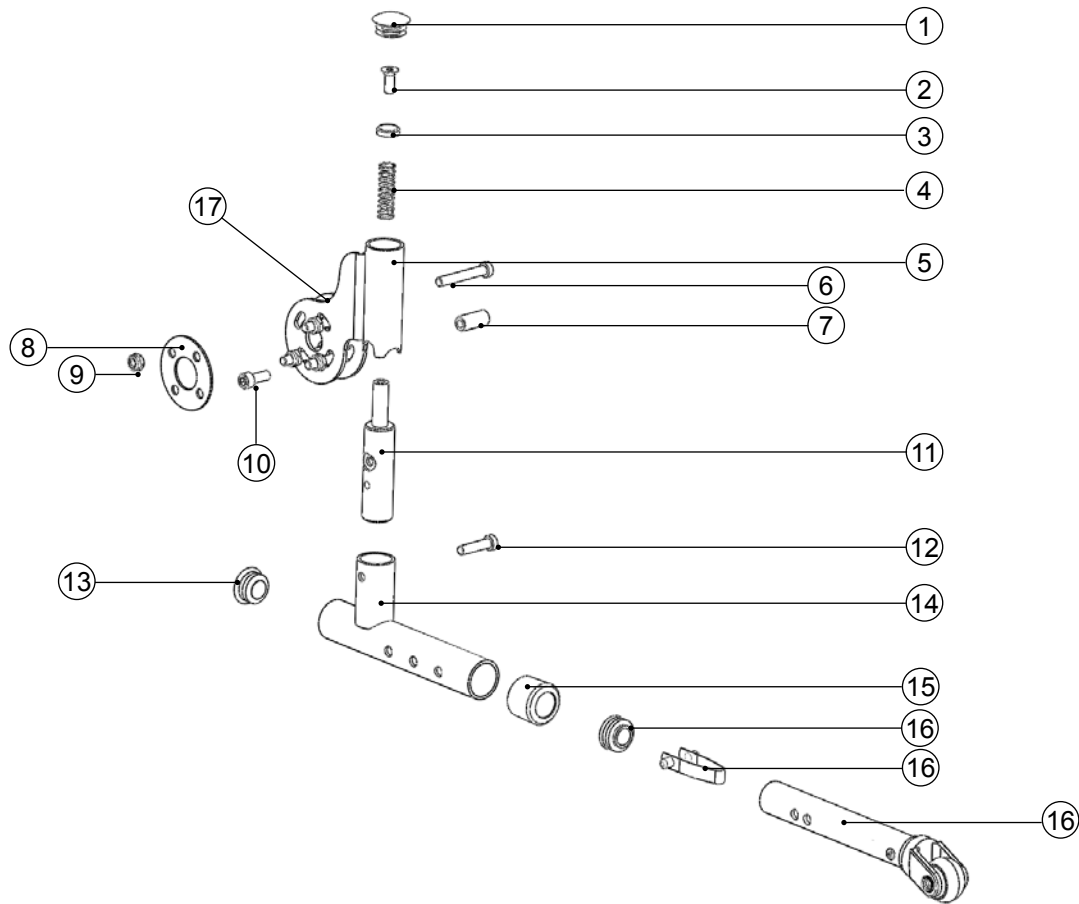
Pos	Article number	Articel description	Quantity	Unit
1-10	3006-7300	Tie down kit	1	Set
1	3006-7311-015	Lashing ring SHERPA rear	2	Pc.
2	3006-7321	Spacer	2	Pc.
3	3201-7350	Slide bushing	2	Pc.
4	1029-0820	Button head socket screw M8x20	2	Pc.
5	1042-0008	Hexagon nut self-locking M8	2	Pc.
6	1051-0008	Washer A8,4	2	Pc.
7	1024-0625	Hexagon socket countersunk head screw M6x25	8	Pc.
	1024-0640	Hexagon socket countersunk head screw M6x40	8	Pc.
8	1042-0006	Hexagon nut self-locking M6	8	Pc.
9	1051-0006	Washer A6,4	8	Pc.
10	1914-0007	Adhesive lable with hook symbol (4 pcs.)	1	Pc.

Spare parts



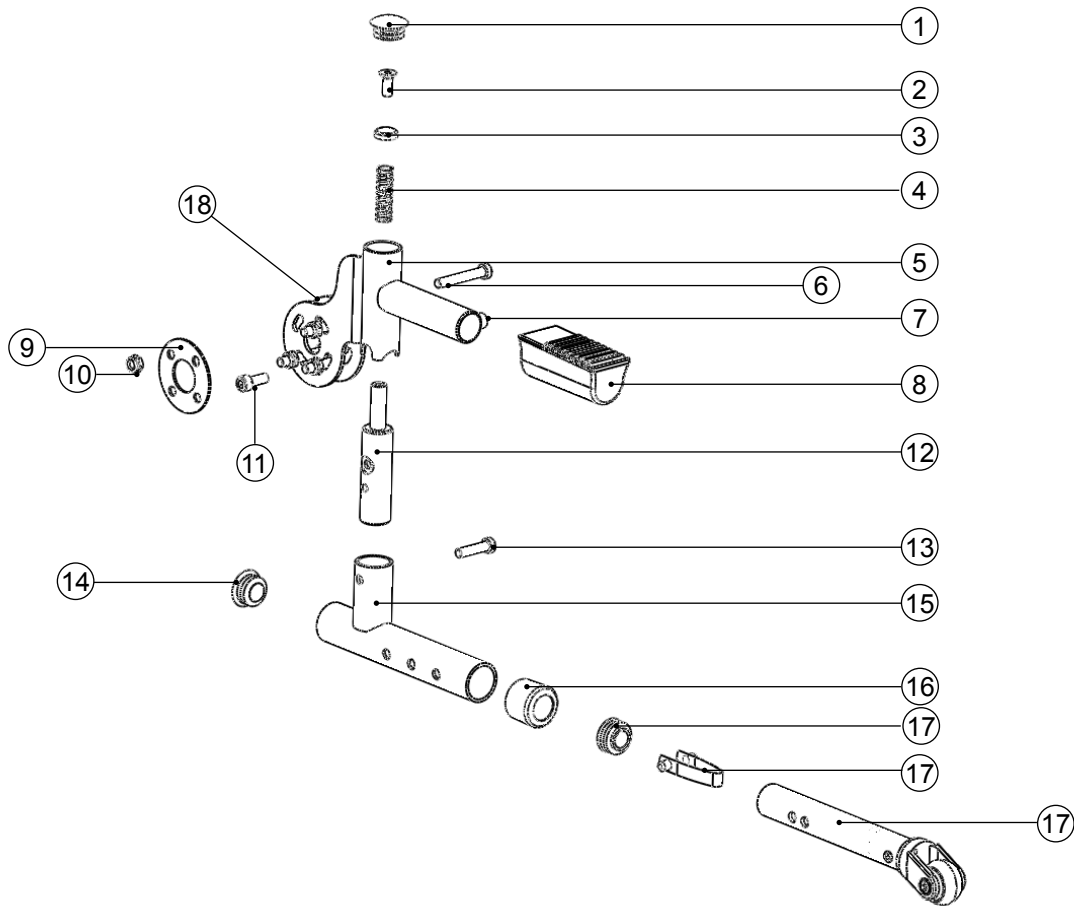
Pos	Article number	Articel description	Quantity	Unit
1	7000-0120	Power knots (AMF-Bruns), inkl. mounting material	1	Set
2	7000-0121	AMF-Bruns, waist belt, short 270/940 mm, top	1	Pc.
	7000-0122	AMF-Bruns, waist belt, short 270/940 mm, bottom	1	Pc.
	7000-0123	AMF-Bruns, waist belt, long 410/1075 mm, top	1	Pc.
	7000-0124	AMF-Bruns, waist belt, long 410/1075 mm, bottom	1	Pc.
	7000-0125	AMF-Bruns, waist belt, extra long 590/1225 mm, top	1	Pc.
	7000-0126	AMF-Bruns, waist belt, extra long 590/1225 mm, bottom	1	Pc.
	7000-0127	AMF-Bruns, waist belt, spcial length 780/1280 mm, top	1	Pc.
	7000-0128	AMF-Bruns, waist belt, spcial length 780/1280 mm, bottom	1	Pc.

Spare parts



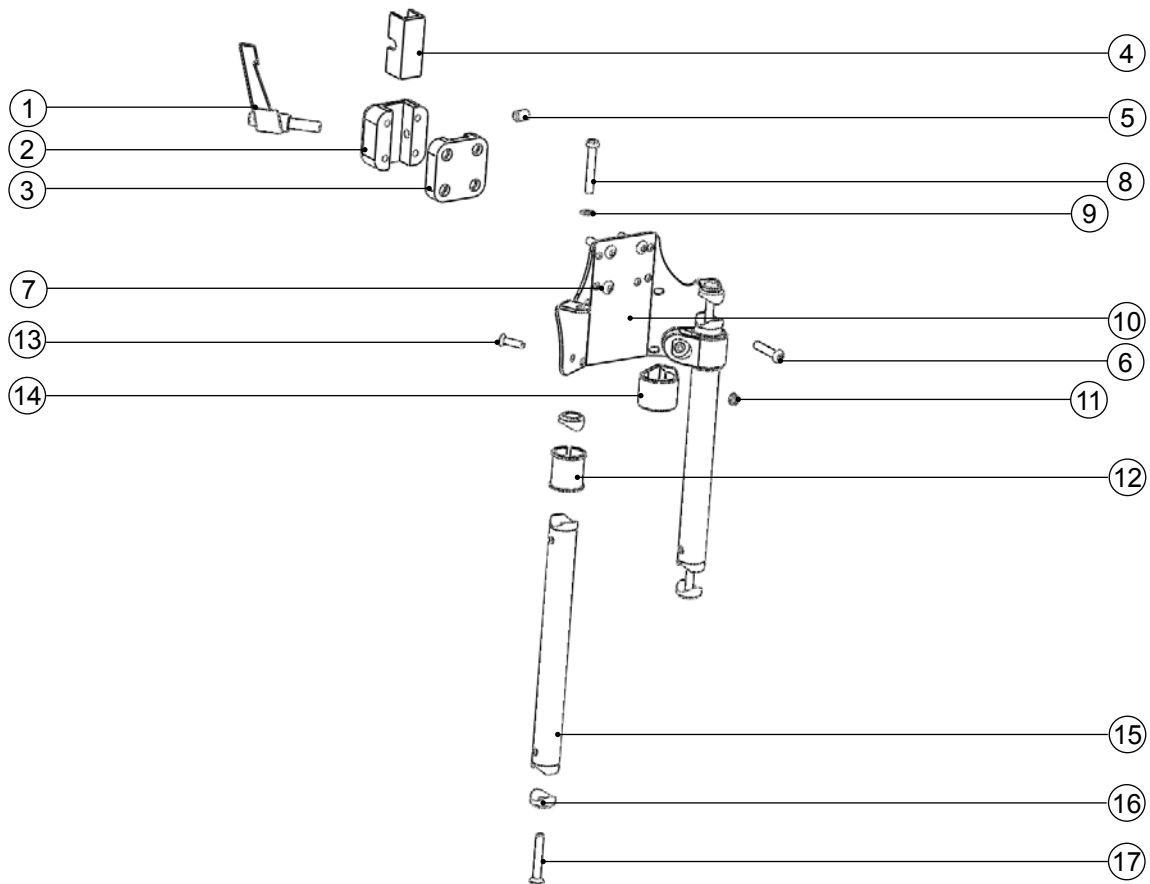
Pos	Article number	Articel description	Quantity	Unit
1-17	3006-1901	Anti tipper, swing away, left	1	Set
	3006-1902	Anti tipper, swing away, right	1	Set
1	1141-0011	Ribbed insert SFL 23x0,8-3,0	2	Pc.
2	1024-0616	Hexagon socket countersunk head screw M6x16	1	Pc.
3	3261-1912	Thrust bearing	1	Pc.
4	1131-0072	Compression D-190C 1,25x13x27x5,5	1	Pc.
5	3006-1910-015	Anti-tilt mount SHERPA	1	Pc.
6	1022-0635	Cylinder head screw M6x35	4	Pc.
	1022-0640	Cylinder head screw M6x40	4	Pc.
7	3240-1840	Resting axle	1	Pc.
8	3006-1951	Shim	2	Pc.
9	1042-0006	Hexagon nut self-locking M6	4	Pc.
10	1021-0620	Hexagon socket head cap screw M6x20	1	Pc.
11	3006-1941-006	Anti-tip bearing	1	Pc.
12	1021-0625	Hexagon socket head cap screw M6x25	1	Pc.
13	1141-0009	Ribbed insert SFL 25x1-2,5	1	Pc.
14	3006-1930-015	Swing arm SHERPA SK fine structure black	1	Pc.
15	1142-0014	Dipping cap 25 x 20 mm, approx. 68 ° Shore A, black	1	Pc.
16	3261-1950E	Tilt tube	1	Pc.
17	3006-7321	Spacer	1	Pc.

Spare parts



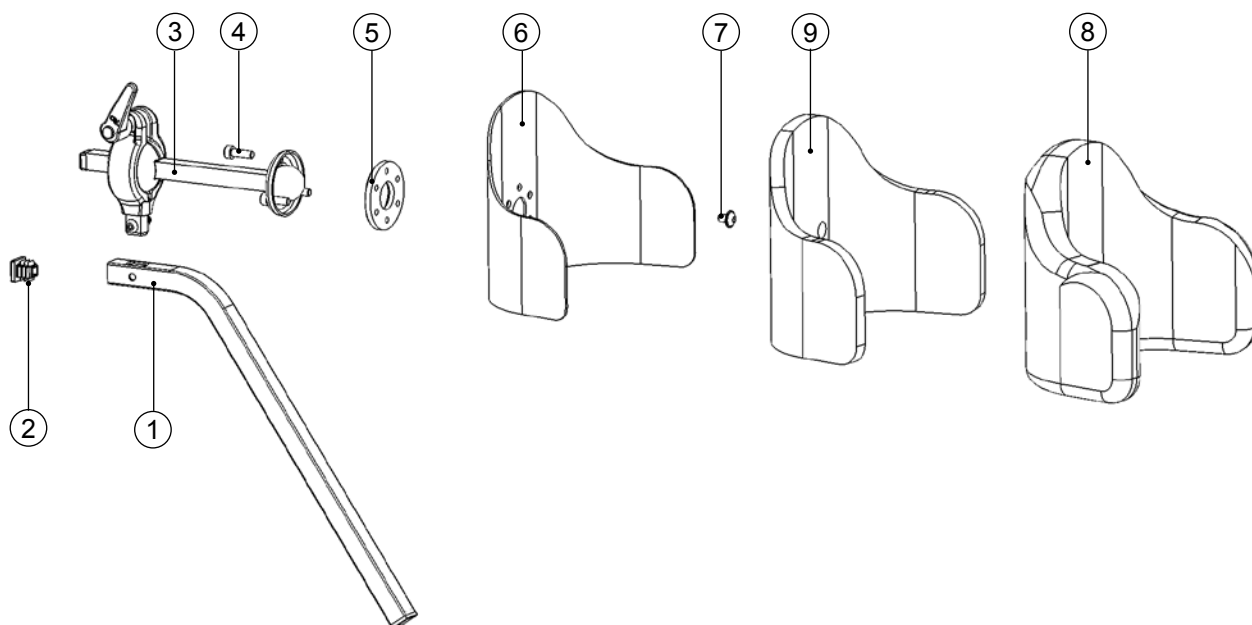
Pos	Article number	Articel description	Quantity	Unit
1-17	3006-1901	Anti tipper, swing away, left	1	Set
	3006-1902	Anti tipper, swing away, right	1	Set
1	1141-0011	Ribbed insert SFL 23x0,8-3,0	2	Pc.
2	1024-0616	Hexagon socket countersunk head screw M6x16	1	Pc.
3	3261-1912	Thrust bearing	1	Pc.
4	1131-0072	Compression D-190C 1,25x13x27x5,5	1	Pc.
5	3006-1910-015	Anti-tilt mount SHERPA	1	Pc.
6	1022-0635	Cylinder head screw M6x35	4	Pc.
	1022-0640	Cylinder head screw M6x40	4	Pc.
7	3240-1840	Resting axle	1	Pc.
8	3006-1951	Shim	2	Pc.
9	1042-0006	Hexagon nut self-locking M6	4	Pc.
10	1021-0620	Hexagon socket head cap screw M6x20	1	Pc.
11	3006-1941-006	Anti-tip bearing	1	Pc.
12	1021-0625	Hexagon socket head cap screw M6x25	1	Pc.
13	1141-0009	Ribbed insert SFL 25x1-2,5	1	Pc.
14	3006-1930-015	Swing arm SHERPA SK fine structure black	1	Pc.
15	1142-0014	Dipping cap 25 x 20 mm, approx. 68 ° Shore A, black	1	Pc.
16	3261-1950E	Tilt tube	1	Pc.
17	3006-7321	Spacer	1	Pc.

Spare parts



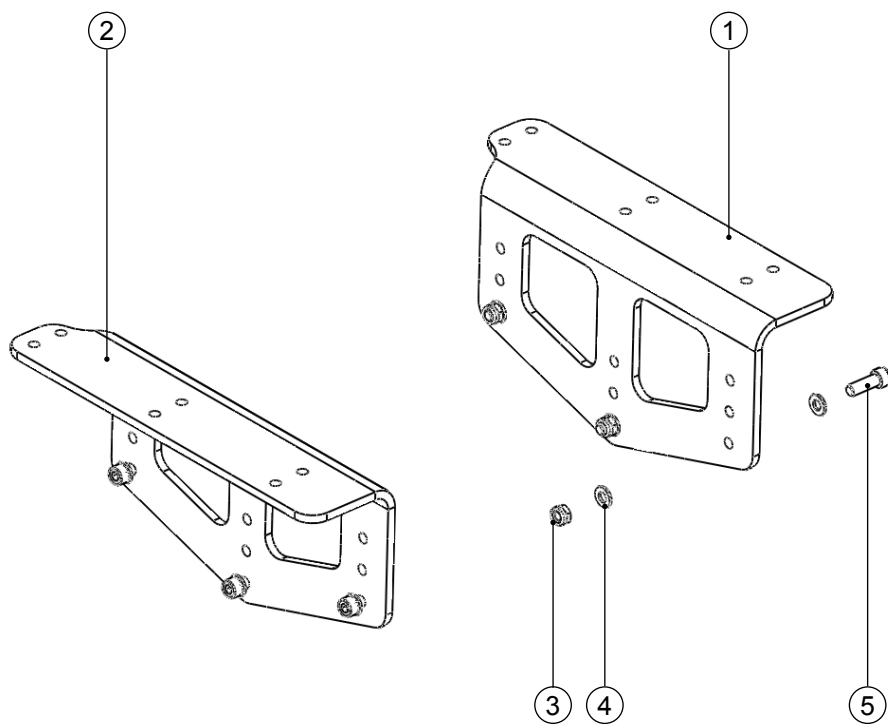
Pos	Article number	Articel description	Quantity	Unit
1-18	3006-6601	Console with Headrest bracket "universal"	1	Set
8-18	3006-6600	Console for headrest bracket (as fpr STEALTH headrest bracket)	1	Set
1	1121-0825	Locking lever PA black M8x25	1	Pc.
2	3201-3832	Clamp upper part	1	Pc.
3	3201-3831	Clamp bottom part	1	Pc.
4	3201-3833	Reducing piece	1	Pc.
5	1031-0812	Hexagon socket set screw M8x12	1	Pc.
6	1029-0625	button head socket screw M6x25	4	Pc.
7	1051-0006	Washer A6,4	4	Pc.
8	1022-0640	Cylinder head screw M6x40	2	Pc.
9	1052-0006	Spring washer B6	2	Pc.
10	3006-6611	Console headrest holder	1	Pc.
11	1042-0005	Hexagon nut self-locking M5	2	Pc.
12	3006-6621	Clamping sleeve 25x22x29,5	2	Pc.
13	1024-0520	Hexagon socket countersunk head screw M5x20	2	Pc.
14	3245-3311	Gripper clamp	2	Pc.
15	3006-6410	Guide pillar	2	Pc.
16	3251-2163	Saddle washer 20x6,2x5	4	Pc.
17	1024-0640	Hexagon socket countersunk head screw M6x40	2	Pc.

Spare parts



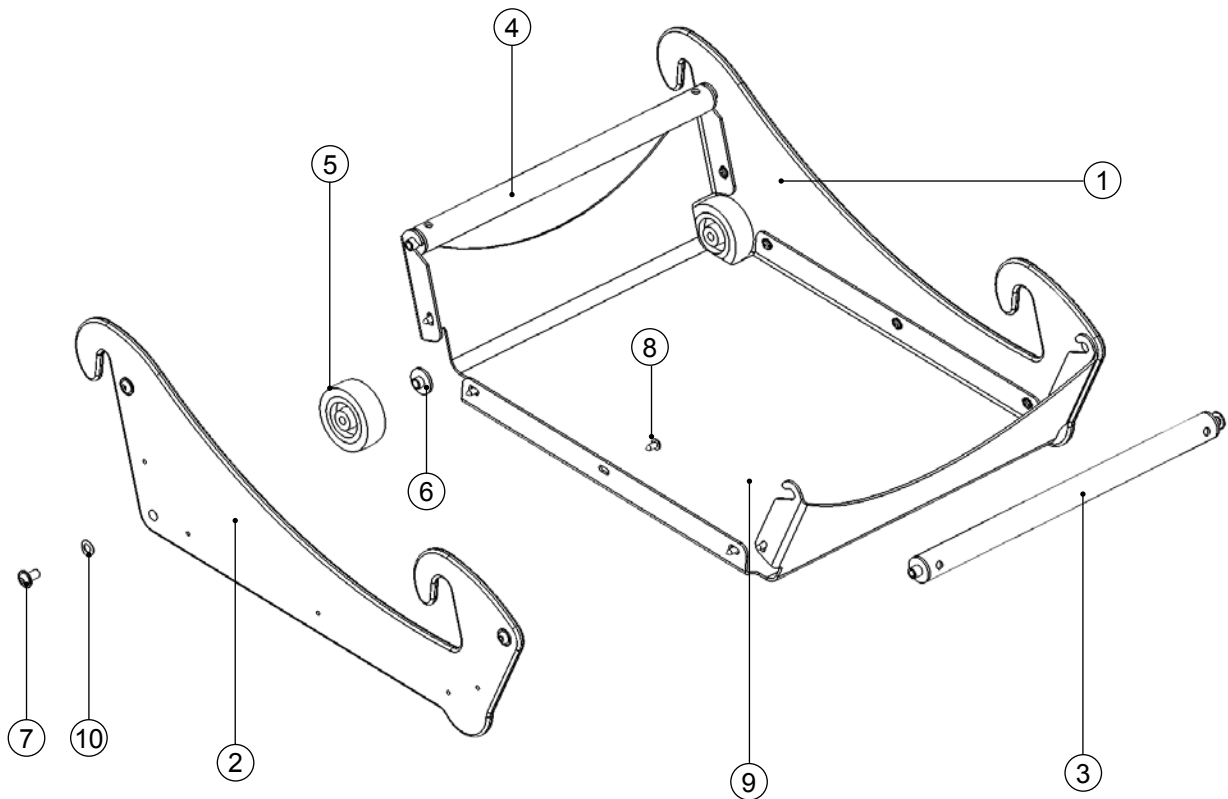
Pos	Article number	Articel description	Quantity	Unit
1-9	3007-7800-306	SHERPA Head rest with upholstery and mounting bracket	1	Set
1	3245-7822-016	Pillar chrome	1	Pc.
2	1141-0030	Ribbed insert VL 15x15x0,8-2 black	2	Pc.
3	3245-7810	Ball-head clamping complete	1	Pc.
4	1021-0516	Hexagon socket head cap screw M5x16	3	Pc.
5	3245-7831-008	Galvanized clamping ring	1	Pc.
6	3245-7832	Pelotte	1	Pc.
7	1030-0508	Button head socket screw with flange M5x8	3	Pc.
8-9	3245-7850-306	Head rest cushion	1	Set
9	3245-7851	Foam cut	1	Pc.

Spare parts



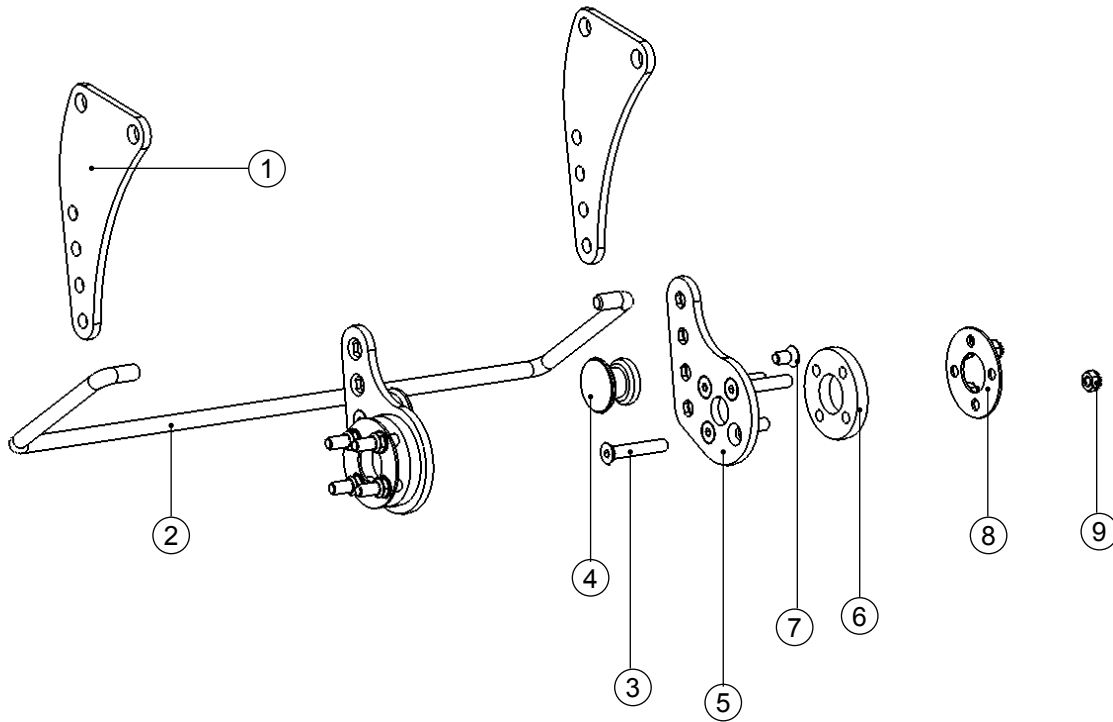
Pos	Article number	Articel description	Quantity	Unit
1-5	3007-1540	Seat raiser in 2cm, 4cm or 6cm step`s, complete	1	Set
1	3006-1541-015	Seat raiser, left	1	Pc.
2	3006-1542-015	Seat raiser, right	1	Pc.
3	1042-0006	Hexagon nut self-locking M6	6	Pc.
4	1051-0006	Washer A6,4	12	Pc.
5	1021-0620	Hexagon socket head cap screw M6x20	6	Pc.

Spare parts



Pos	Article number	Articel description	Quantity	Unit
1-10	3006-6201	Container for accessories size 1 SW36	1	Set
	3006-6202	Container for accessories size 2 SW40	1	Set
	3006-6203	Container for accessories size 3 SW44	1	Set
	3006-6291E	Retainer for container SW 36 komplette	1	Set
	3006-6292E	Retainer for container SW 40 komplette	1	Set
	3006-6293E	Retainer for container SW 44 komplette	1	Set
1	3006-6212	Side plate container right	1	Pc.
2	3006-6211	Side plate container left	1	Pc.
3	3006-6220-015	Cross strut bottom size 1, SW 36	1	Pc.
	3006-6221-015	Cross strut bottom size 2, SW 40	1	Pc.
	3006-6222-015	Cross strut bottom size 3, SW 44	1	Pc.
4	3006-6230-015	Cross strut top size 1, SW 36	1	Pc.
	3006-6231-015	Cross strut top size 2, SW 40	1	Pc.
	3006-6232-015	Cross strut top size 3, SW 44	1	Pc.
5	3006-6252	Container roll	2	Pc.
6	3006-6251	Thrust washer	2	Pc.
7	1030-0612	Button head socket screw with flange M6x12	6	Pc.
8	1039-0007	Screw for plastic, cross rcessed pan head w. flange 4x8	10	Pc.
9	3006-6261-015	Sheet metal tray size 1, SW 36	1	Pc.
	3006-6262-015	Sheet metal tray size 2, SW 40	1	Pc.
	3006-6263-015	Sheet metal tray size 3, SW 44	1	Pc.
10	1052-0006	Spring washer B6	6	Pc.

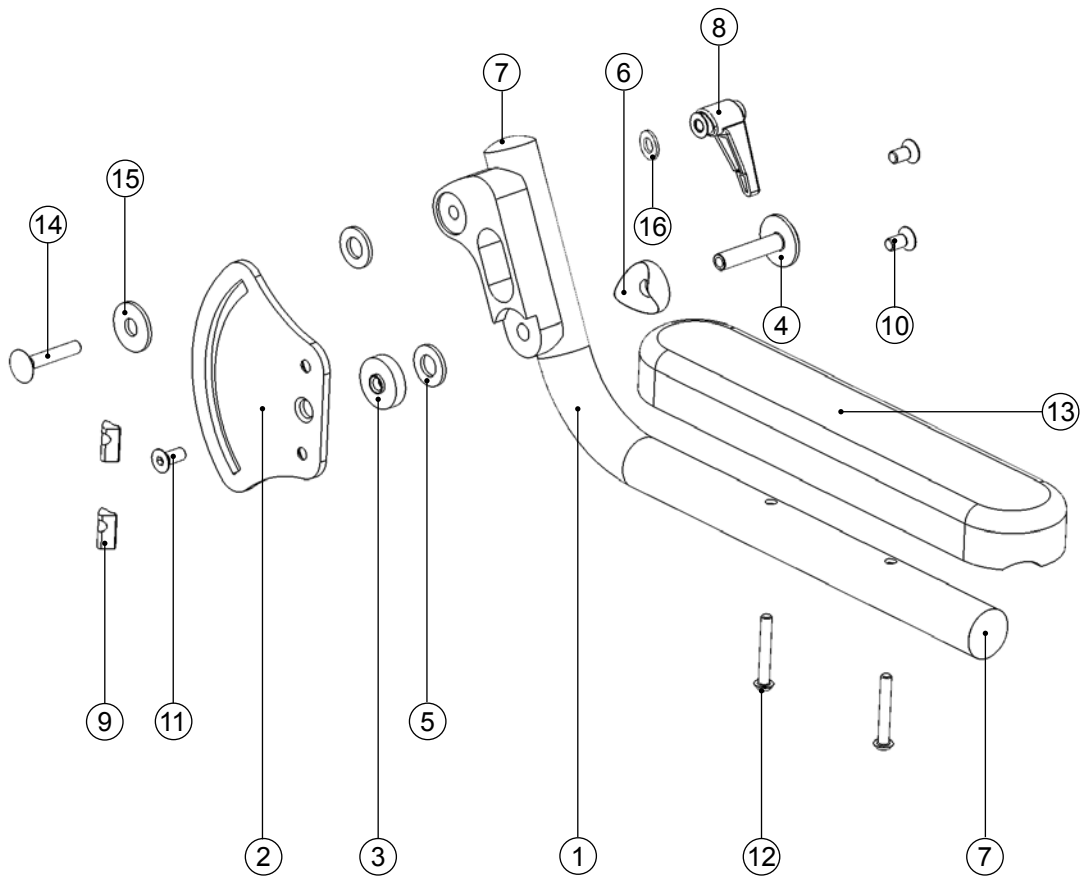
Spare parts



Pos	Article number	Articel description	Quantity	Unit
1-9*	3006-629X	Container Halterung	1	Set
1	3006-6271-015	Retainer sheet	2	Pc.
2	3006-6272-033	Swivel bracket SW 36	1	Pc.
	3006-6273-033	Swivel bracket SW 40	1	Pc.
	3006-6274-033	Swivel bracket SW 44	1	Pc.
3	1024-0630	Hexagon socket countersunk head screw M6x30	8	Pc.
	1024-0635	Hexagon socket countersunk head screw M6x35	8	Pc.
	1024-0640	Hexagon socket countersunk head screw M6x40	8	Pc.
4	3006-6277	Lock shaft	2	Pc.
5	3006-6275-015	Eccentric plate left	1	Pc.
	3006-6276-015	Eccentric plate right	1	Pc.
6	3006-7321	Spacer	2	Pc.
7	1024-0612	Hexagon socket countersunk head screw M6x12	2	Pc.
8	3006-1951	Shim	1	Pc.
9	1042-0006	Hexagon nut self-locking M6	8	Pc.

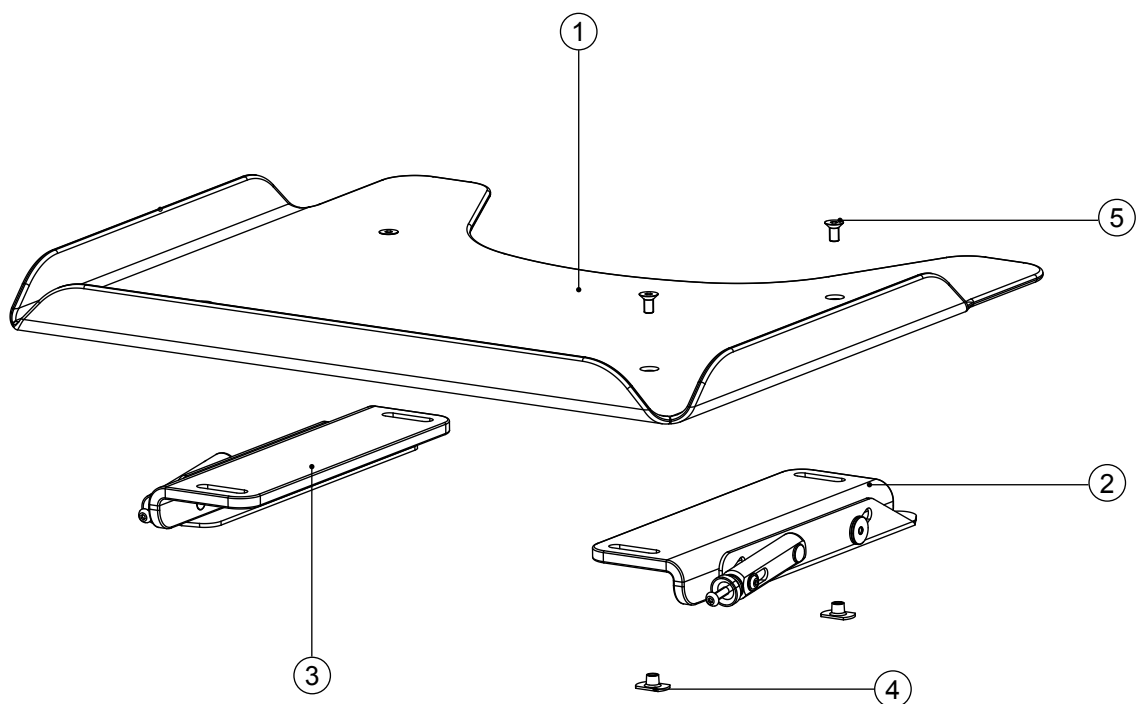
* X = 1 or 2 or 3

Spare parts



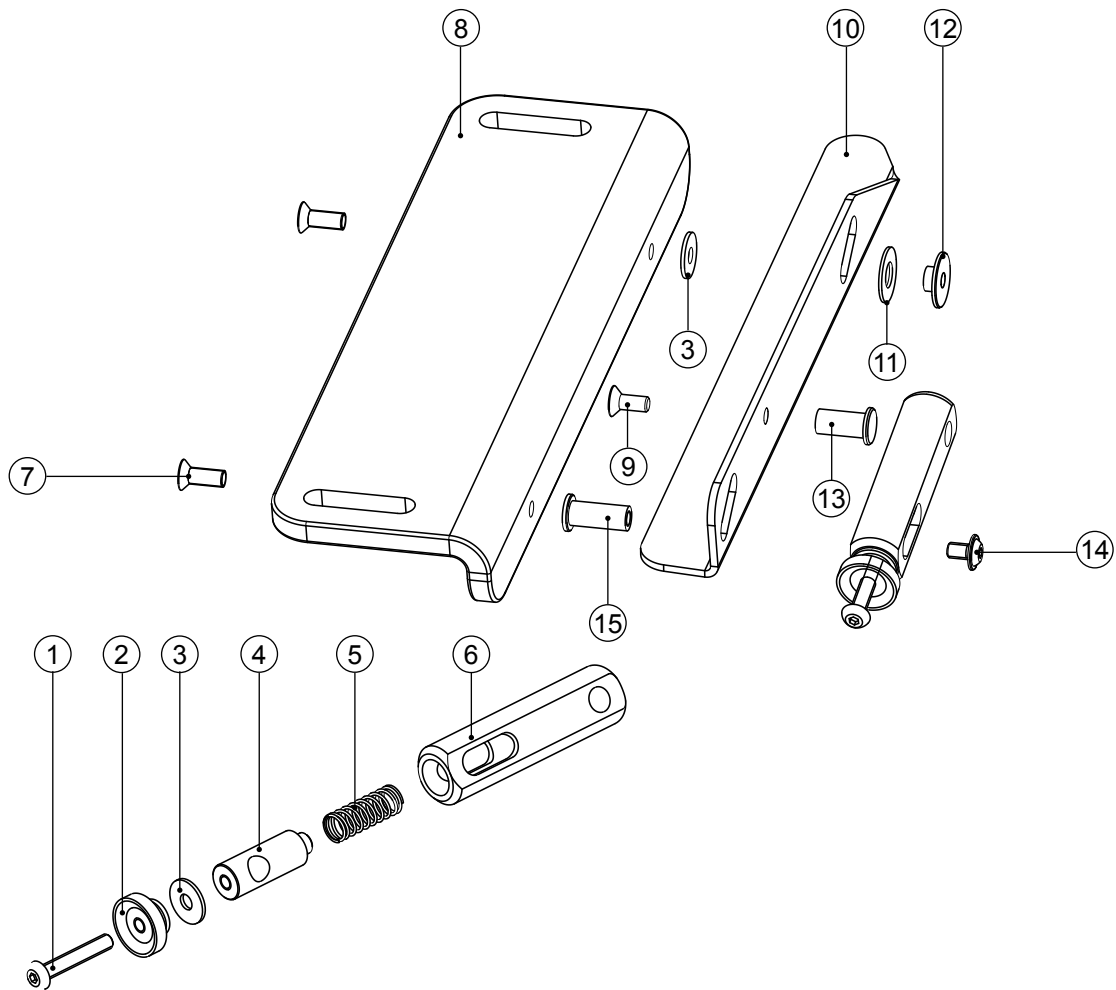
Pos	Article number	Articel description	Quantity	Unit
1-16	3006-6300	Armrest pivotably, angle adjustable with 270 mm PU pads, complete	1	Set
1	3006-6310-015	Armrest leftArmrests carrier left	1	Pc.
	3006-6320-015	Armrest leftArmrests carrier right	1	Pc.
2	3006-6331-015	Guide plate armrest	2	Pc.
3	3006-6333	Axle bearing armrest	2	Pc.
4	3006-6334	Bearing shaft armrest	2	Pc.
5	1113-0036	Washer PA black 20x10,5x2	4	Pc.
6	1111-0012	Saddle washer PA black 24x8.4x3	2	Pc.
7	1141-0009	Ribbed insert SFL 25x1-2,5	4	Pc.
8	1121-0006	Locking lever M6	2	Pc.
9	1049-0072	Nut insert for system profile, M6	4	Pc.
10	1024-0612	Hexagon socket countersunk head screw M6x12	4	Pc.
11	1024-0620	Hexagon socket countersunk head screw M6x20	2	Pc.
12	1029-0535	Button head socket screw M5x35	4	Pc.
13	7000-0047	Armrest pads PU 270mm	2	Pc.
14	1026-0635	Mushroom head square neck bolt M6x35	2	Pc.
15	1055-0008	Washer A8,4	2	Pc.
16	1052-0006	Spring washer B6	2	Pc.

Spare parts



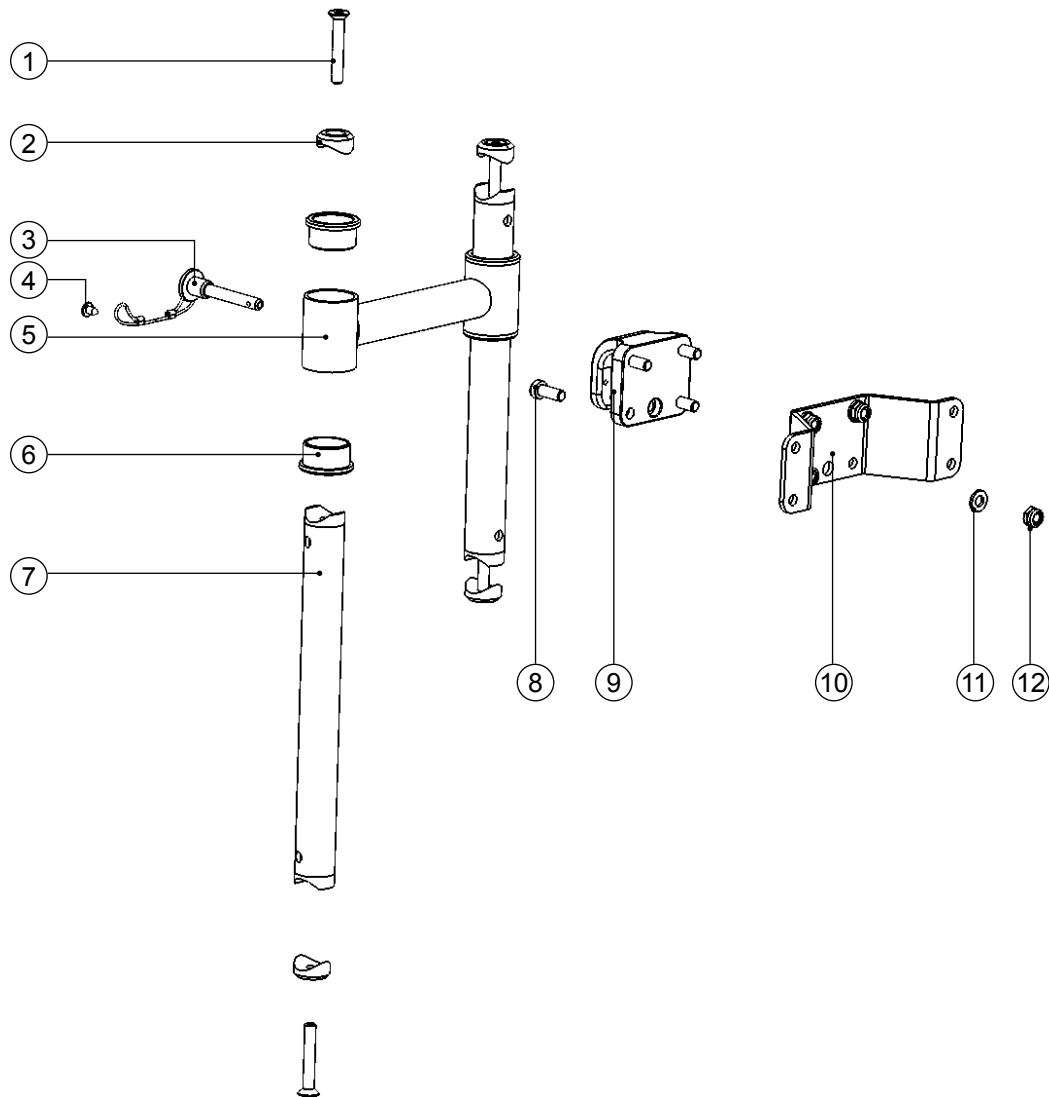
Pos	Article number	Articel description	Quantity	Unit
1-5	3240-8204	SBO therapy tray size 4, complete SW 36	1	Set
	3240-8205	SBO therapy tray size 5, complete SW 40 and 44	1	Set
1	3240-8294	Table board SW 36	1	Pc.
	3240-8295	Table board SW 40 and 44	1	Pc.
2	3240-8210E	Clamping unit, left	1	Set
3	3240-8220E	Clamping unit, right	1	Set
4	1049-0052	T-nut L-769 22x14xM6x8,5	4	Pc.
5	1024-0612	Hexagon socket countersunk head screw M6x12	4	Pc.

Spare parts



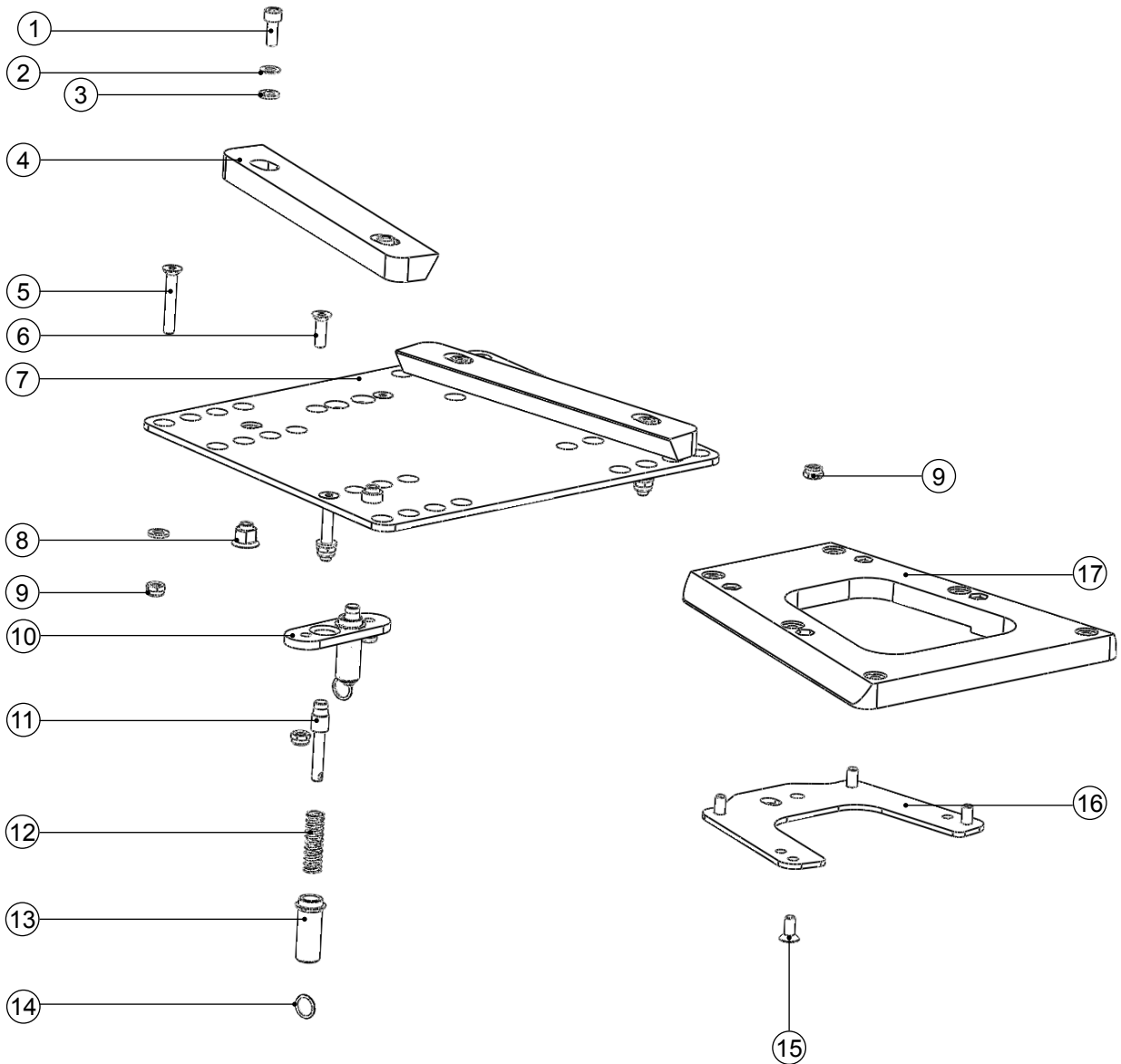
Pos	Article number	Articel description	Quantity	Unit
1-15	3240-8210E	Clamping unit, left	1	Set
	3240-8220E	Clamping unit, right	1	Set
1	1029-0530	Button head socket screw M5x30	1	Pc.
2	1124-0500	Knurled nut PA black M5	1	Pc.
3	1055-0005	Washer A5,3	1	Pc.
4	3240-8215	Spring guide	1	Pc.
5	1131-0043	Compression spring D-143F	1	Pc.
6	3240-8214	Spring housing	1	Pc.
7	1024-0514	Hexagon socket countersunk head screw M5x14	2	Pc.
8	3240-8211	Adjusting bracket	1	Pc.
9	1024-0512	Hexagon socket countersunk head screw M5x12	1	Pc.
10	3240-8212-015	Terminal strip, left	1	Pc.
	3240-8222-015	Terminal strip, right	1	Pc.
11	1113-0003	Washer PA 18x8,4x1 black	1	Pc.
12	3240-8218	Bearing bush	1	Pc.
13	3240-8216	Bearing bush	1	Pc.
14	1030-0508	Button head socket screw with flange M5x8	1	Pc.
15	3240-8217	Bearing bush	1	Pc.

Spare parts



Pos	Article number	Articel description	Quantity	Unit
1-12	3006-6400	Back guide with length compensation	1	Set
1	1024-0640	Hexagon socket countersunk head screw M6x40	4	Pc.
2	3251-2163	Saddle washer 20x6,2x5	4	Pc.
3	3006-6444	Quick release axle with rope for back guide	1	Pc.
4	1039-0001	Screw for plastic, cross recessed pan head w. flange 4x10	1	Pc.
5	3006-6420-015	Slide rail	1	Pc.
6	3006-6431	Sliding bushing	4	Pc.
6	3006-6410-015	Guide pillar	2	Pc.
8	1022-0616	Hexagon socket head cap screw M6x16	4	Pc.
9	3006-6443	Slide rail catch	1	Pc.
10	3006-6441-015	Back adapter fine structure black	1	Pc.
11	1051-0006	Washer A6,4	4	Pc.
12	1042-0006	Hexagon nut self-locking M6	4	Pc.

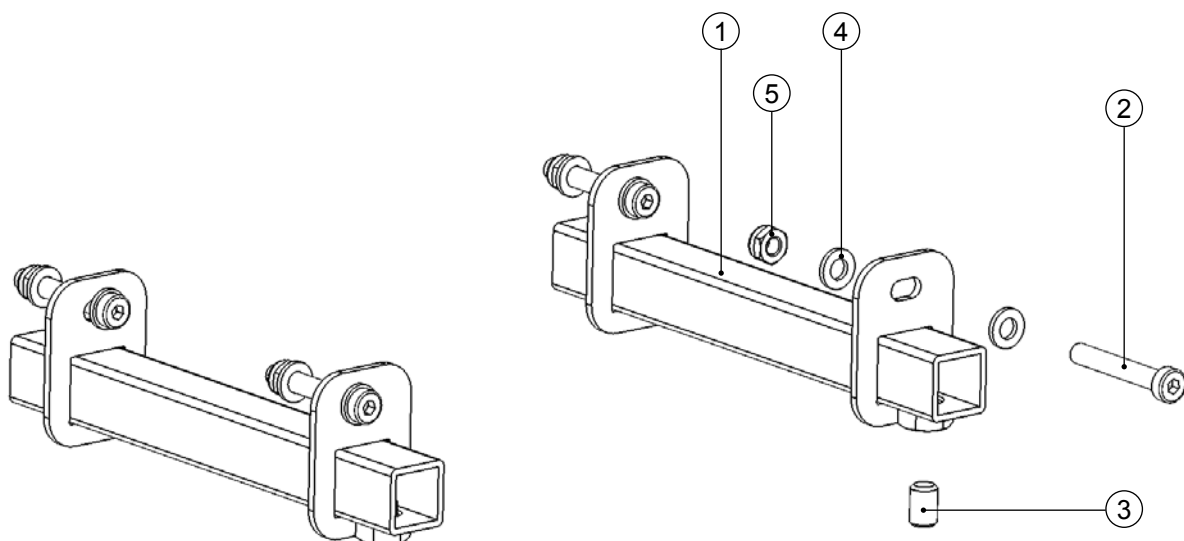
Spare parts



Spare parts

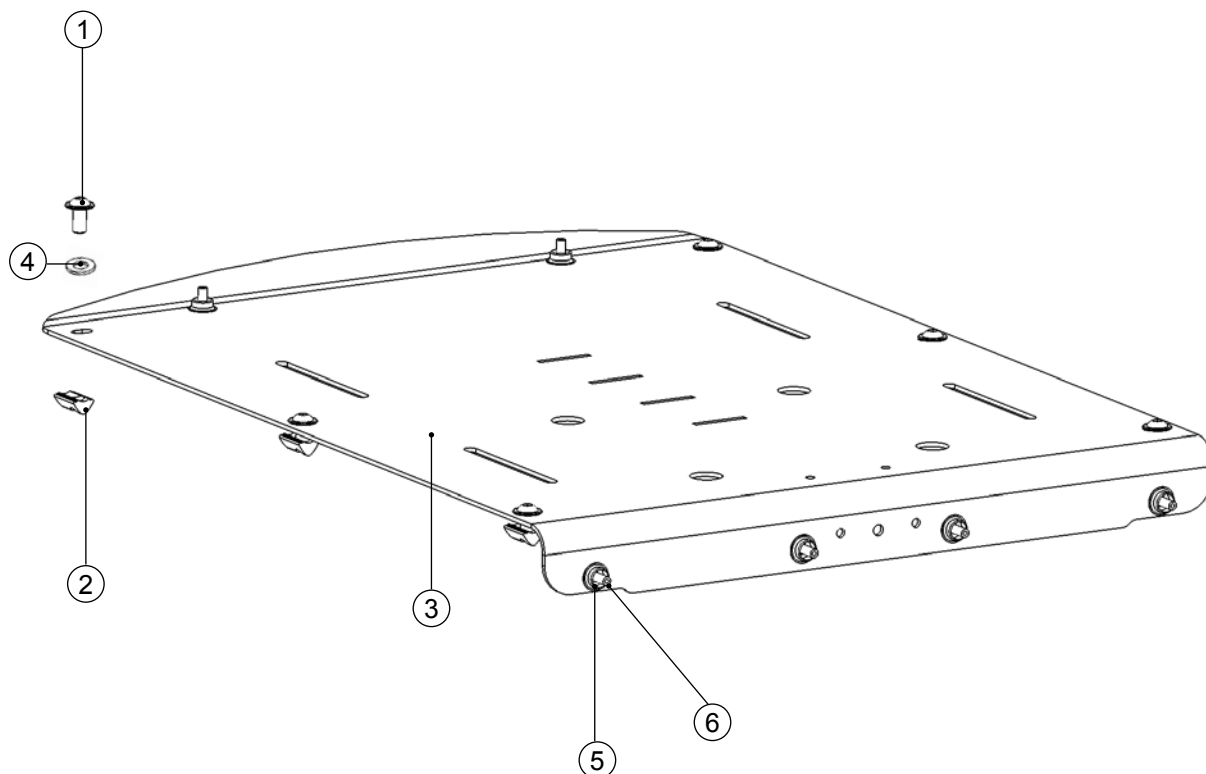
Pos	Article number	Articel description	Quantity	Unit
1-18	3006-6501	Precision trapezoid adapter size 1, for SW 36	1	Set
	3006-6502	Precision trapezoid adapter size 2, for SW 40 and 44	1	Set
1	1022-0616	Hexagon socket head cap screw M6x16	4	Pc.
2	1052-0006	Spring washer B6	4	Pc.
3	1051-0006	Washer A6,4	10	Pc.
4	3006-6521-006	Guide rail left size 1	1	Pc.
	3006-6551-006	Guide rail left size 2	1	Pc.
	3006-6522-006	Guide rail right size 1	1	Pc.
	3006-6552-006	Guide rail right size 2	1	Pc.
5	1024-0640	Hexagon socket countersunk head screw M6x40	4	Pc.
6	1024-0620	Hexagon socket countersunk head screw M6x20	2	Pc.
7	3006-6511-015	Base plate trapezoid adapter size 1	1	Pc.
	3006-6541-015	Base plate trapezoid adapter size 2	1	Pc.
8	3006-6523-008	Countersunk nut	4	Pc.
9	1042-0006	Hexagon nut self-locking M6	10	Pc.
10	3006-6512-008	Clamping plate	1	Pc.
11	3240-2422	Locking bolt	2	Pc.
12	1131-0043	Compression spring D-143F	2	Pc.
13	3006-6513	Bolt housing	2	Pc.
14	1129-0036	Key ring 16x1,6	2	Pc.
15	1024-0614	Hexagon socket countersunk head screw M6x14	4	Pc.
16	3006-6532-008	Trapezoid reinforcement size 1	1	Pc.
	3006-6562-008	Trapezoid reinforcement size 2	1	Pc.
17	3006-6531	Trapeze size 1	1	Pc.
	3006-6561	Trapeze size 2	1	Pc.
18	1512-0014	PP strap	1	Pc.

Spare parts



Pos	Article number	Articel description	Quantity	Unit
1-5	3006-6700	Foot rest hanger adapter	1	Set
1	3006-6710-015	Admission tube	2	Pc.
2	1022-0640	Cylinder head screw M6x40	4	Pc.
3	1031-0812	Hexagon socket set screw M8x12	2	Pc.
4	1051-0006	Washer A6,4	8	Pc.
5	1042-0006	Hexagon nut self-locking M6	4	Pc.

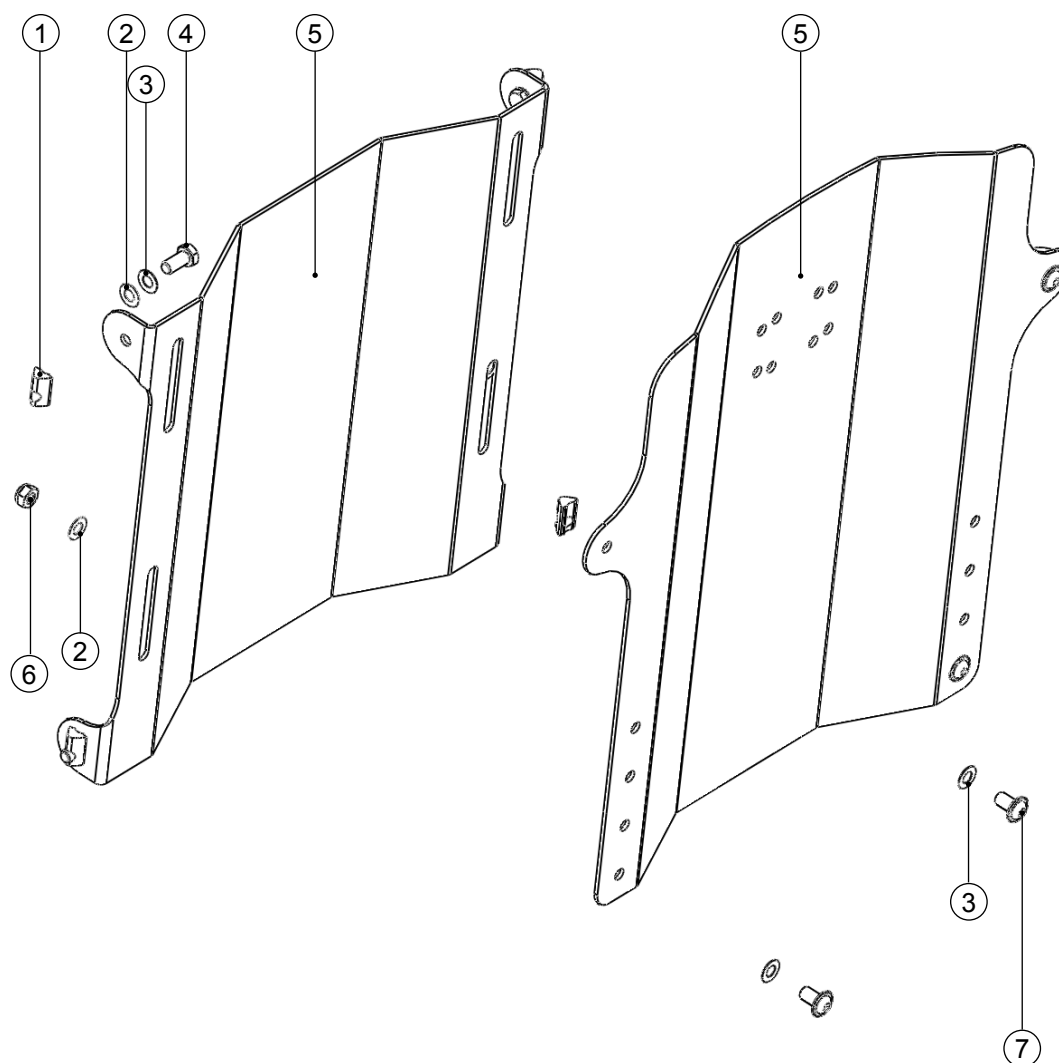
Spare parts



Pos	Article number	Articel description	Quantity	Unit
1-4	3007-24SB-015	Seat panel, complete	1	Set
1	1029-0612	Button head socket screw M6x12	6	Pc.
2	1049-0072	Nut insert for system profile, M6	6	Pc.
3	3006-25SB-015	Seat panel	1	Pc.
4	1052-0006	Spring washer B6	6	Pc.
5*	1533-0005	Ring-ball part DRK 95B	6	Pc.
6*	1061-0406	Blind rivet F4x6	6	Pc.

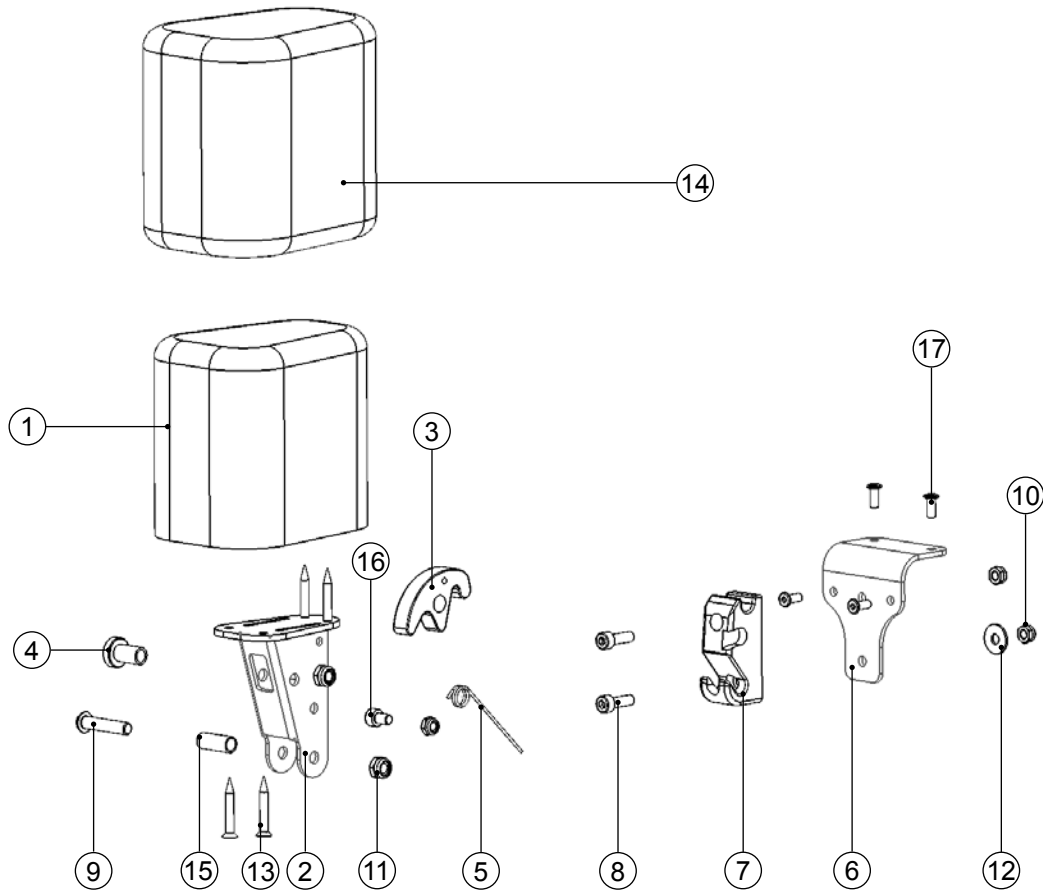
* Pos. 5 and 6 onley with seat cushion.

Spare parts



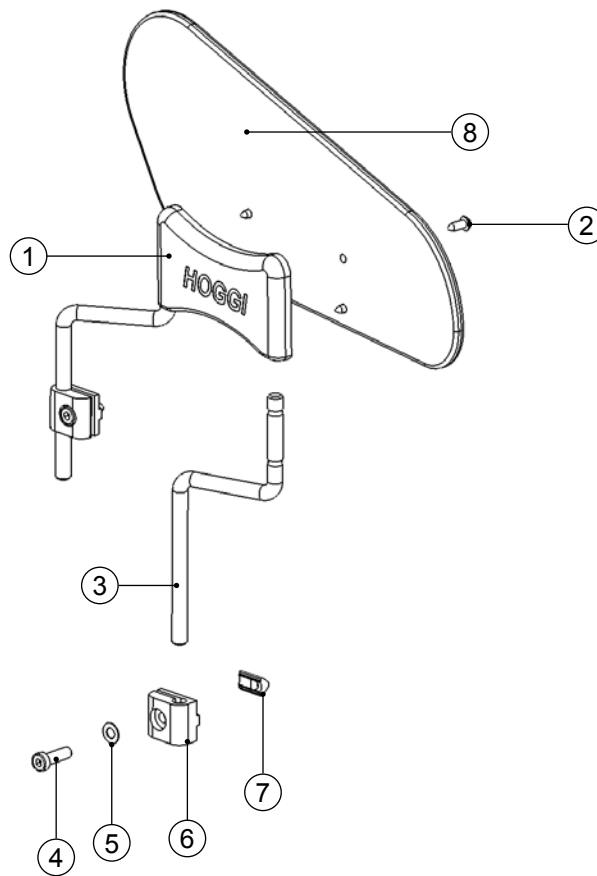
Pos	Article number	Articel description	Quantity	Unit
1-6	3007-36SB-000	Back panel SHERPA two sections heightadjustable, SW 36, in frame color	1	Set
1	1049-0072	Nut insert for system profile, M6	6	Pc.
2	1055-0006	Washer A6,4	6	Pc.
3	1052-0006	Spring washer B6	8	Pc.
4	1011-0614	Hexagon head screw M6x14	4	Pc.
5	1042-0006	Hexagon nut self-locking M6	2	Pc.
6	1030-0612	Button head socket screw with flange M6x12	4	Pc.

Spare parts



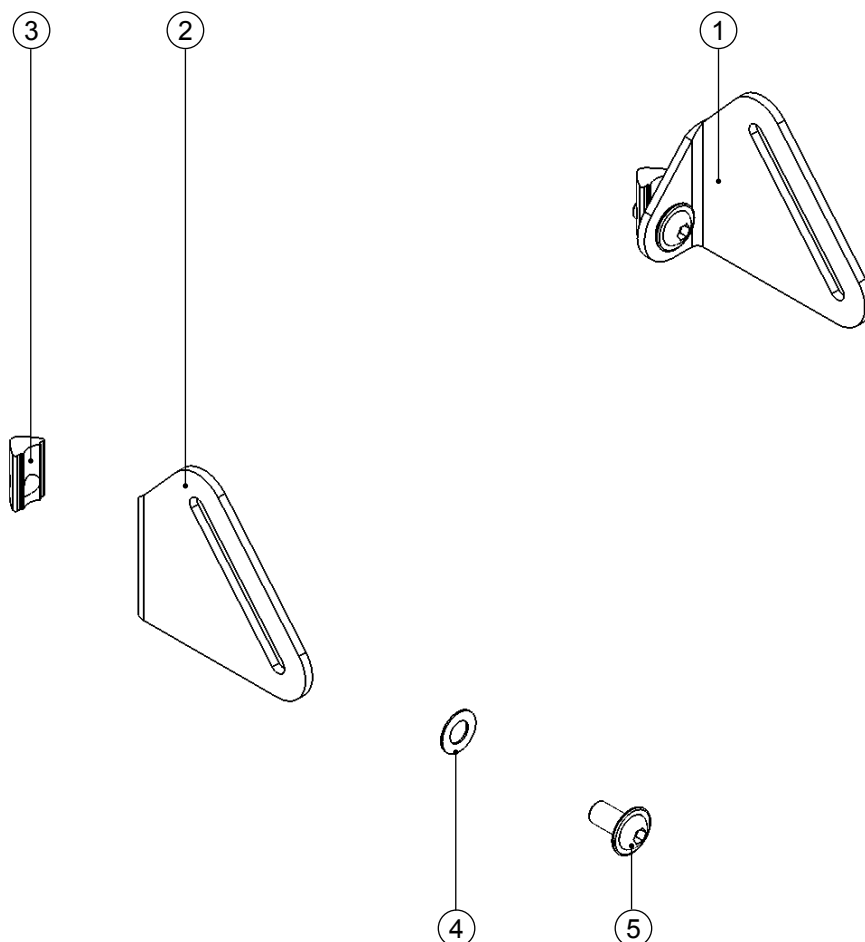
Pos	Article number	Articel description	Quantity	Unit
1-17	3231-7900-323	Bingo-Evo abduction block size 2 swing away and detachable, iron grey	1	Set
	3233-7800-323	Bingo-Evo abduction block size 3 swing away and detachable, iron grey	1	Set
1	3201-7910	Wood wedge size 2 with PU-foam	1	Pc.
	3203-7810	Wood wedge size 2 with PU-foam	1	Pc.
2	3231-7820-032	A-wedge support	1	Pc.
3	3231-7841	Arresting clamp	1	Pc.
4	3231-7842	Bearing arresting clamp	1	Pc.
5	1133-0020	Leg spring 1,25 x 9,25 x 2,25	1	Pc.
6	3231-7831-032	Base plate abduction block receiver,	1	Pc.
7	3231-7832	Arresting part for A-wedge	1	Pc.
8	1021-0516	Hexagon socket head cap screw M5x16	2	Pc.
9	1029-0630	Button head socket screw M6x30	2	Pc.
10	1042-0005	Hexagon nut self-locking M5	3	Pc.
11	1042-0006	Hexagon nut self-locking M6	2	Pc.
12	1055-0005	Washer A5,3	1	Pc.
13	1028-0430	Pressboard screw countersunk head screw 4x30	4	Pc.
14	3201-7940-323	Cover abduction block size 2 iron grey	1	Pc.
	3203-7840-323	Cover for abduction block size 3, iron grey	1	Pc.
15	1114-0013	Bushing zp 8x0,8x20	1	Pc.
16	1021-0508	Cylinder head screw M5x8	1	Pc.
17	1062-0410	Blind rivet F4x10	4	Pc.

Spare parts



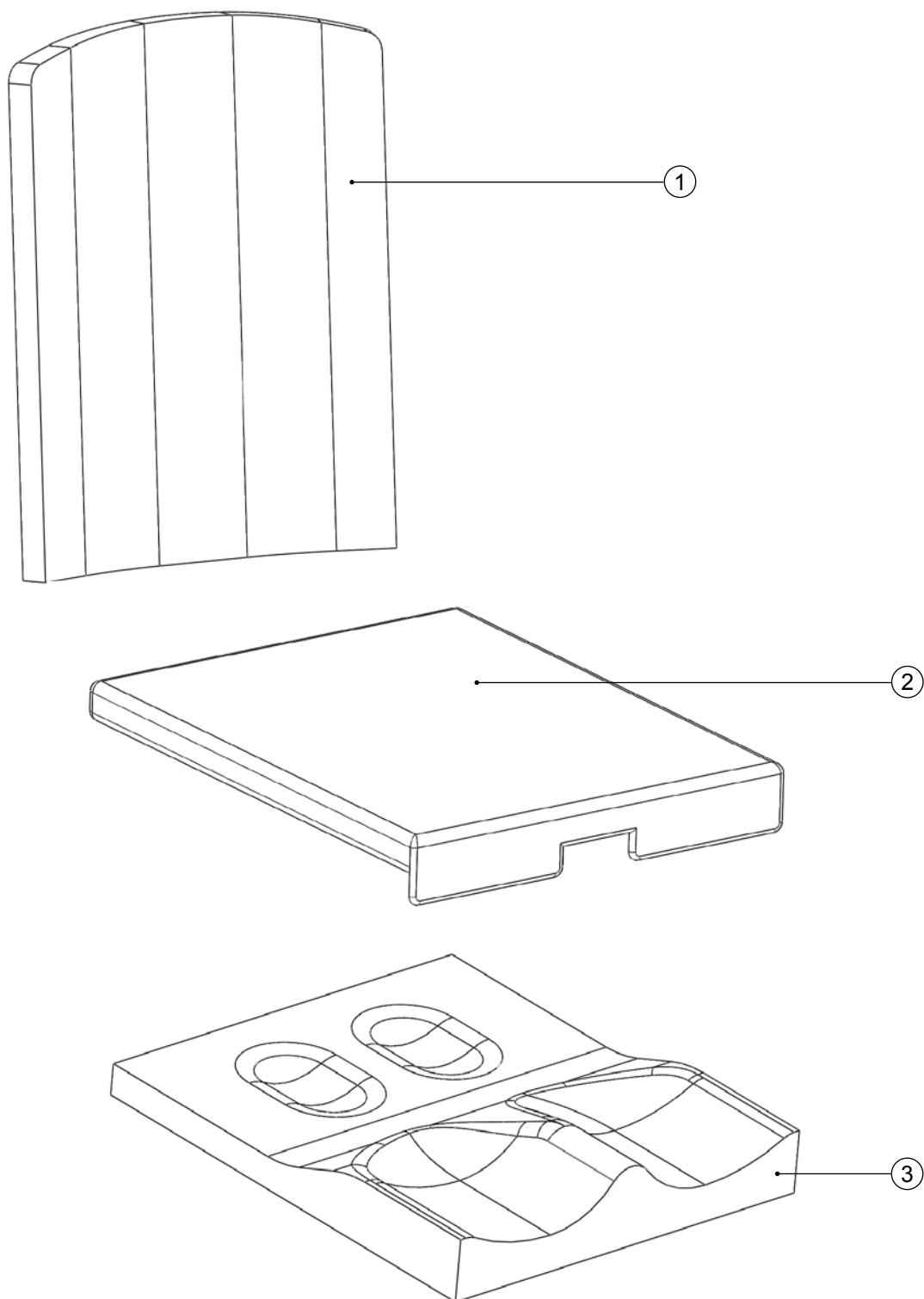
Pos	Article number	Articel description	Quantity	Unit
1-9	3007-6801	Thigh Support size 1, 290x140 mm	1	Pair
	3007-6802	Thigh Support size 2, 340x160 mm	1	Pair
	3007-6803	Thigh Support size 3, 390x180 mm	1	Pair
1-7	3007-6809	Part set for two customer Thigh Support (without pad)	1	Set
1	3006-6813	Pads carrier	2	Pc.
2	1039-0003	Screw for plastic, cross rcessed pan head w. flange 4x12	8	Pc.
3	3006-6812-033	Swivel lever thigh guide	4	Pc.
4	1022-0620	Hexagon socket head cap screw M6x20	4	Pc.
5	1052-0006	Spring washer B6	4	Pc.
6	3006-6811-007	Clamp base ø8	4	Pc.
7	1049-0072	nut insert for system profile, M6	4	Pc.
8	3007-6821	Thigh pad left size 1	1	Pc.
	3007-6831	Thigh pad left size 2	1	Pc.
	3007-6841	Thigh pad left size 3	1	Pc.
9	3007-6822	Thigh pad right size 1	1	Pc.
	3007-6832	Thigh pad right size 2	1	Pc.
	3007-6842	Thigh pad right size 3	1	Pc.
10	3007-6850-322	Upholstery for Thigh Support size 1, black check	1	Pair
	3007-6860-322	Upholstery for Thigh Support size 2, black check	1	Pair
	3007-6870-322	Upholstery for Thigh Support size 3, black check	1	Pair

Spare parts



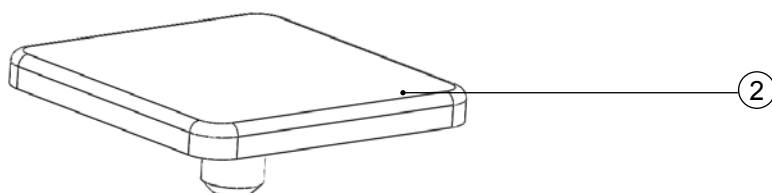
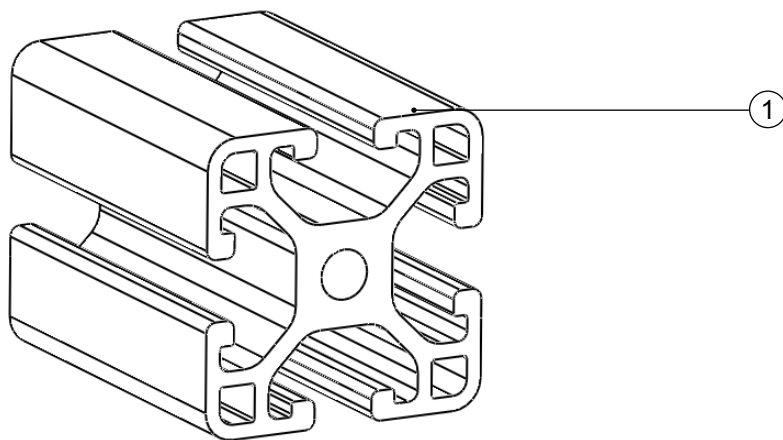
Pos	Article number	Articel description	Quantity	Unit
1-5	3006-6100	Hip belt retainer SHERPA	1	Set
1-6	3007-6100	Hip belt SHERPA incl. retainer	1	Set
1	3006-6111-015	Eyelet lap belt left	1	Pc.
2	3006-6121-015	Eyelet lap belt right	1	Pc.
3	1049-0072	Nut insert for system profile, M6	2	Pc.
4	1052-0006	Spring washer B6	2	Pc.
5	1030-0514	Button head socket screw with flange M5x14	2	Pc.
6	3201-6100	Hip belt	1	Pc.

Spare parts



Pos	Article number	Articel description	Quantity	Unit
1	3007-7200-322	SHERPA back cushion 3cm thick, black checked pattern	1	Pc.
2	3007-7100-322	SHERPA Seat cushion 3cm thick, black checked pattern	1	Pc.
3	3007-8000-322	SHERPA contoured seat cushion with cover, black checked pattern	1	Pc.

Spare parts



Pos	Article number	Articel description	Quantity	Unit
1	1800-0006E	System profile 4N 30x30, black	X	Meter
2	1149-0004	Cap for system profile, 30x30	1	Pc.
3	1049-0072	Nut insert for system profile, M6	1	Pc.

HOGGI GmbH
Eulerstraße 27 • 56235 Ransbach-Baumbach • Deutschland
Telefon: (+49) 2623 / 92 499-0 • Telefax: (+49) 2623 / 92 499-99
E-mail: info@hoggi.de • www.hoggi.de
