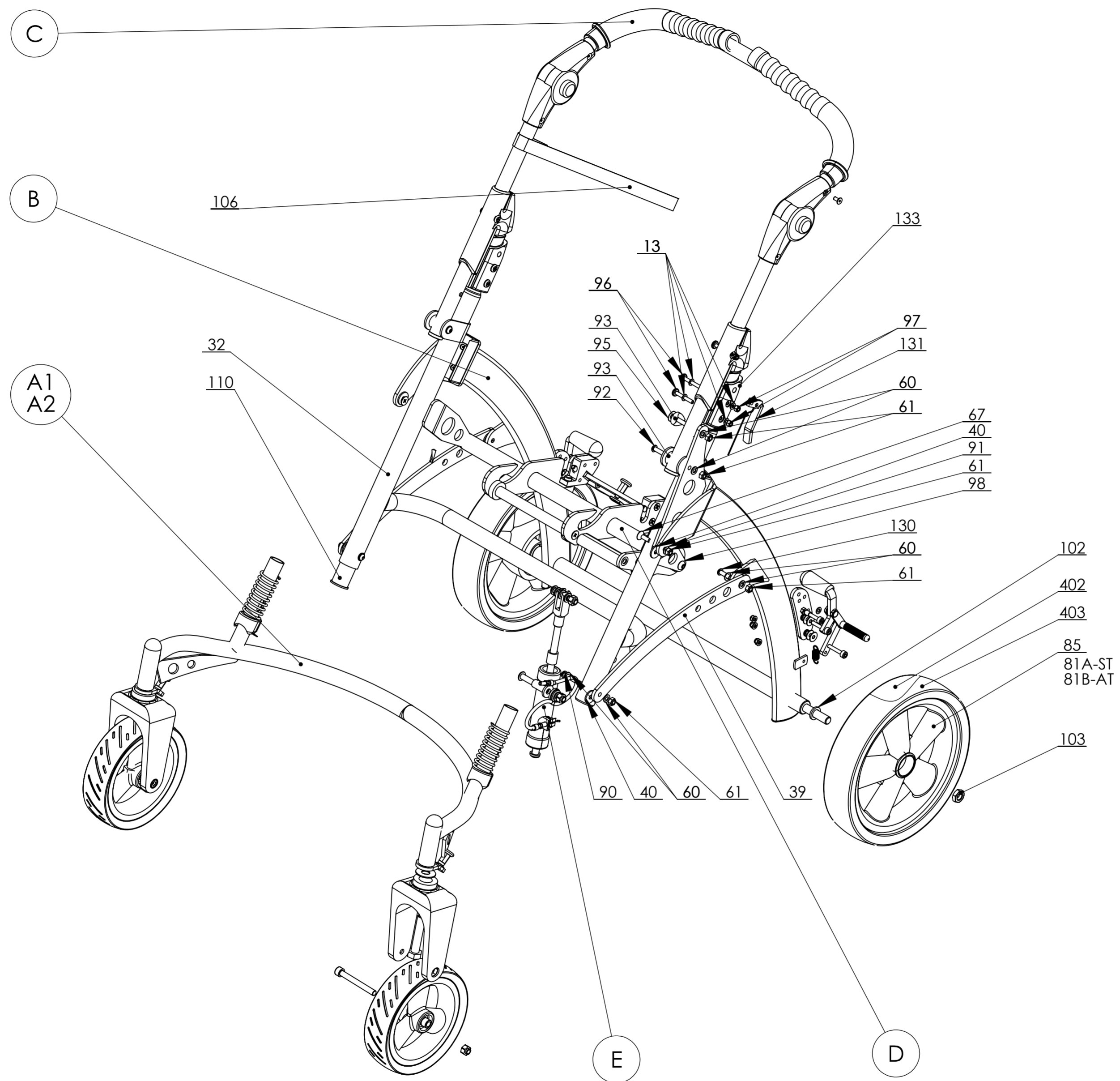


|                                                                                                                                           |  |                                       |           |                                                  |                      |
|-------------------------------------------------------------------------------------------------------------------------------------------|--|---------------------------------------|-----------|--------------------------------------------------|----------------------|
| <small>UNLESS OTHERWISE SPECIFIED:<br/>DIMENSIONS ARE IN MILLIMETERS<br/>SURFACE FINISH:<br/>TOLERANCES:<br/>LINEAR:<br/>ANGULAR:</small> |  | DATE                                  | NAME      | TITLE:<br><b>CHASSIS / PODVOZEK<br/>T5S MINI</b> | SCALE:<br><b>1:5</b> |
|                                                                                                                                           |  | DRAWN                                 | 4.11.2009 |                                                  |                      |
|                                                                                                                                           |  | SIGNATURE _____ DATE _____ NAME _____ |           |                                                  |                      |



UNLESS OTHERWISE SPECIFIED:  
 DIMENSIONS ARE IN MILLIMETERS  
 SURFACE FINISH:  
 TOLERANCES:  
 LINEAR:  
 ANGULAR:

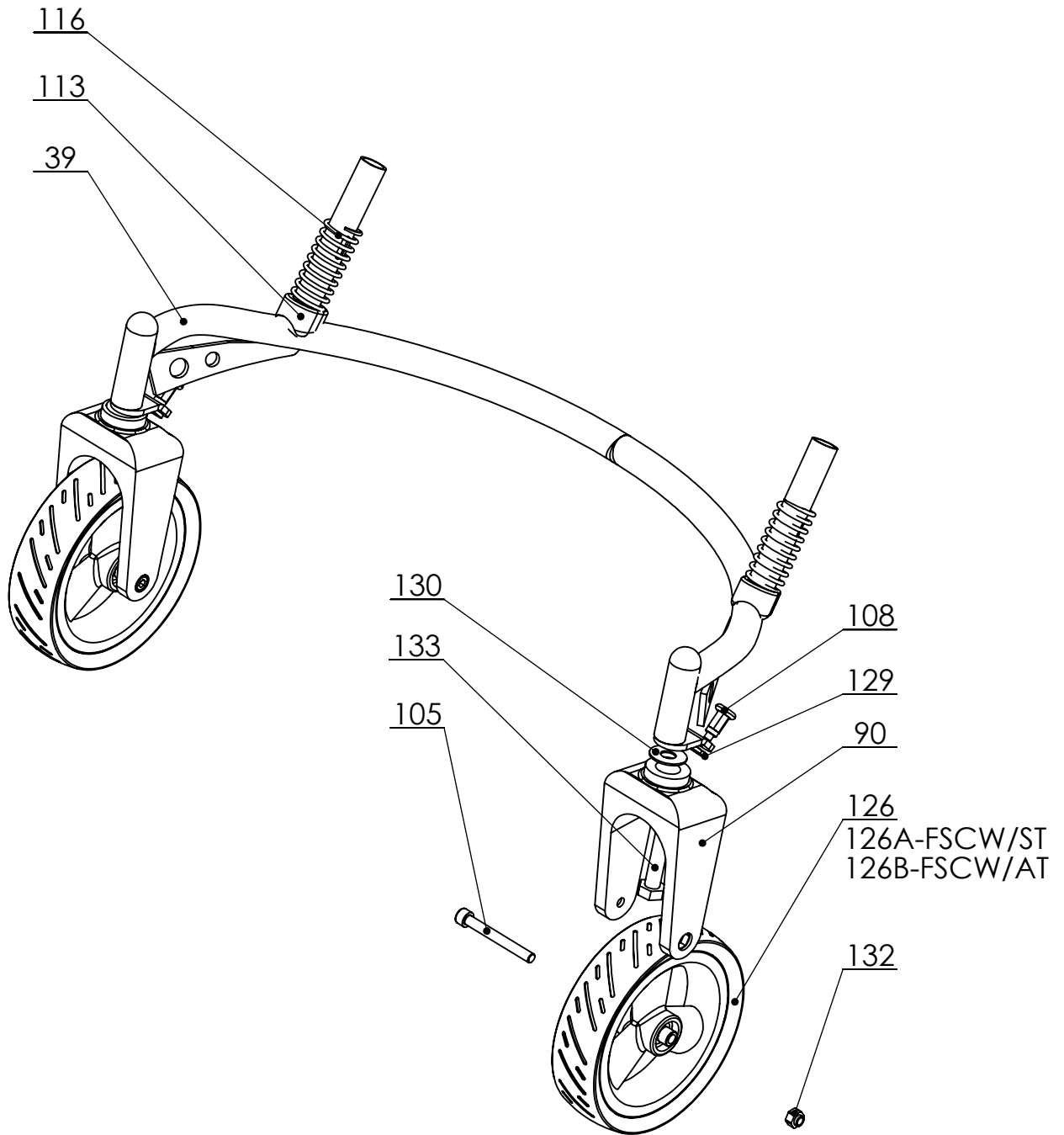


|           |            |            |
|-----------|------------|------------|
|           | DATE       | NAME       |
| DRAWN     | 10.12.2013 | Sklenarova |
| Norm      |            |            |
| SIGNATURE | DATE       | NAME       |

|         |                                |       |        |
|---------|--------------------------------|-------|--------|
| TITLE:  | CHASSIS / PODVOZEK<br>T5S MINI | SCALE | 1:5    |
| DWG NO. | SVR00070AA                     |       |        |
|         |                                |       | ISO A4 |



DETAIL A1



UNLESS OTHERWISE SPECIFIED:  
 DIMENSIONS ARE IN MILLIMETERS  
 SURFACE FINISH:  
 TOLERANCES:  
 LINEAR:  
 ANGULAR:



|       | DATE     | NAME       |
|-------|----------|------------|
| DRAWN | 04.11.09 | Sklenarova |
| Norm  |          |            |

TITLE:  
 CHASSIS / PODVOZEK-Def.A1  
 T5S MINI

SCALE

1:5

DWG NO.  
 SVR00071AA

ISO A4

SIGNATURE

DATE

NAME



1 2 3 4

DETAIL A2

A

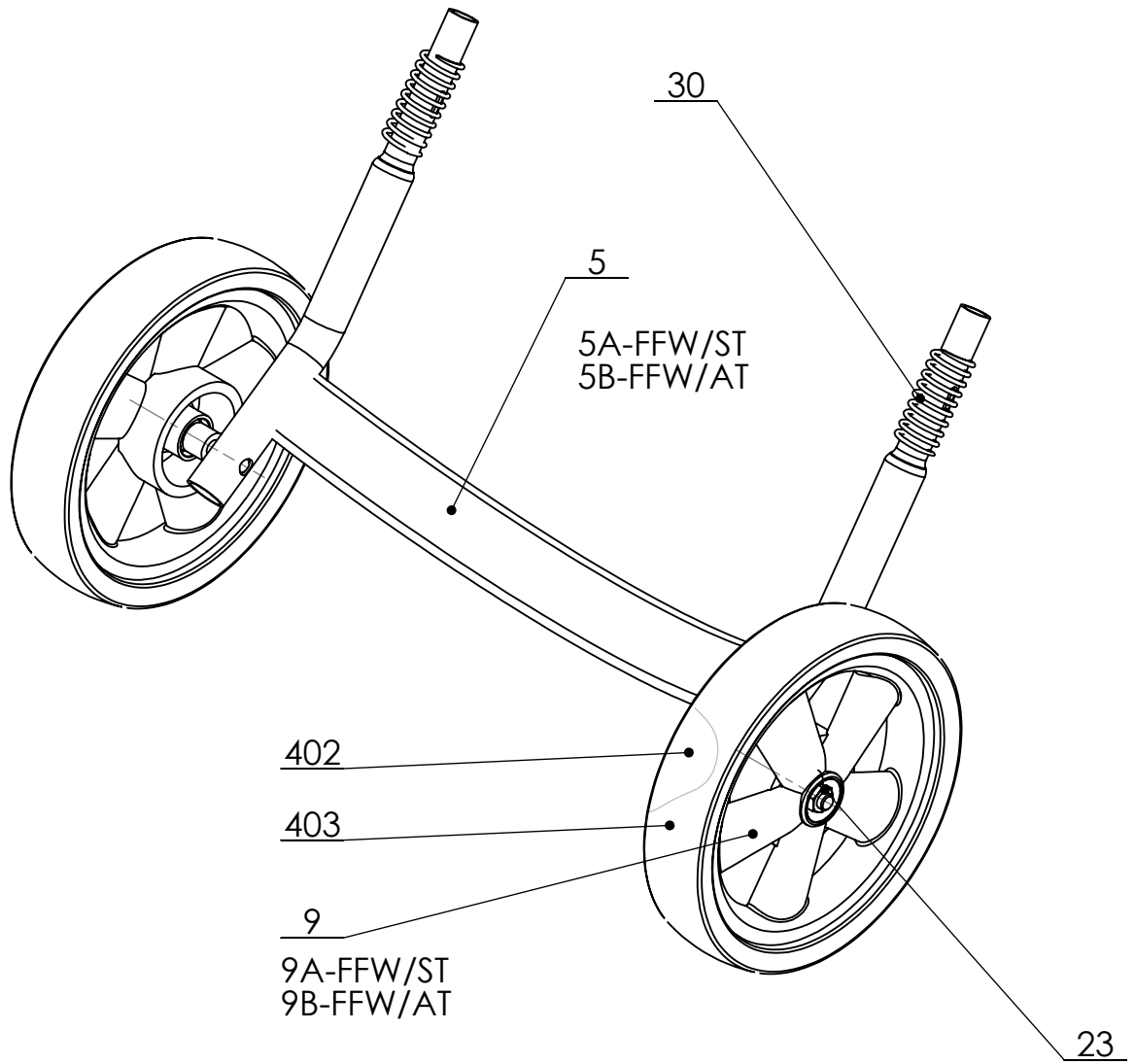
B

C

D

E

F



UNLESS OTHERWISE SPECIFIED:  
DIMENSIONS ARE IN MILLIMETERS  
SURFACE FINISH:  
TOLERANCES:  
LINEAR:  
ANGULAR:



|       | DATE      | NAME       |
|-------|-----------|------------|
| DRAWN | 4.11.2009 | Sklenarova |
| Norm  |           |            |

TITLE:  
CHASSIS / PODVOZEK-Def.A2  
T5S MINI

SCALE

1:5



DWG NO.  
SVR00072AA

ISO A4

SIGNATURE DATE NAME

1 2 3 4

DETAIL B

A

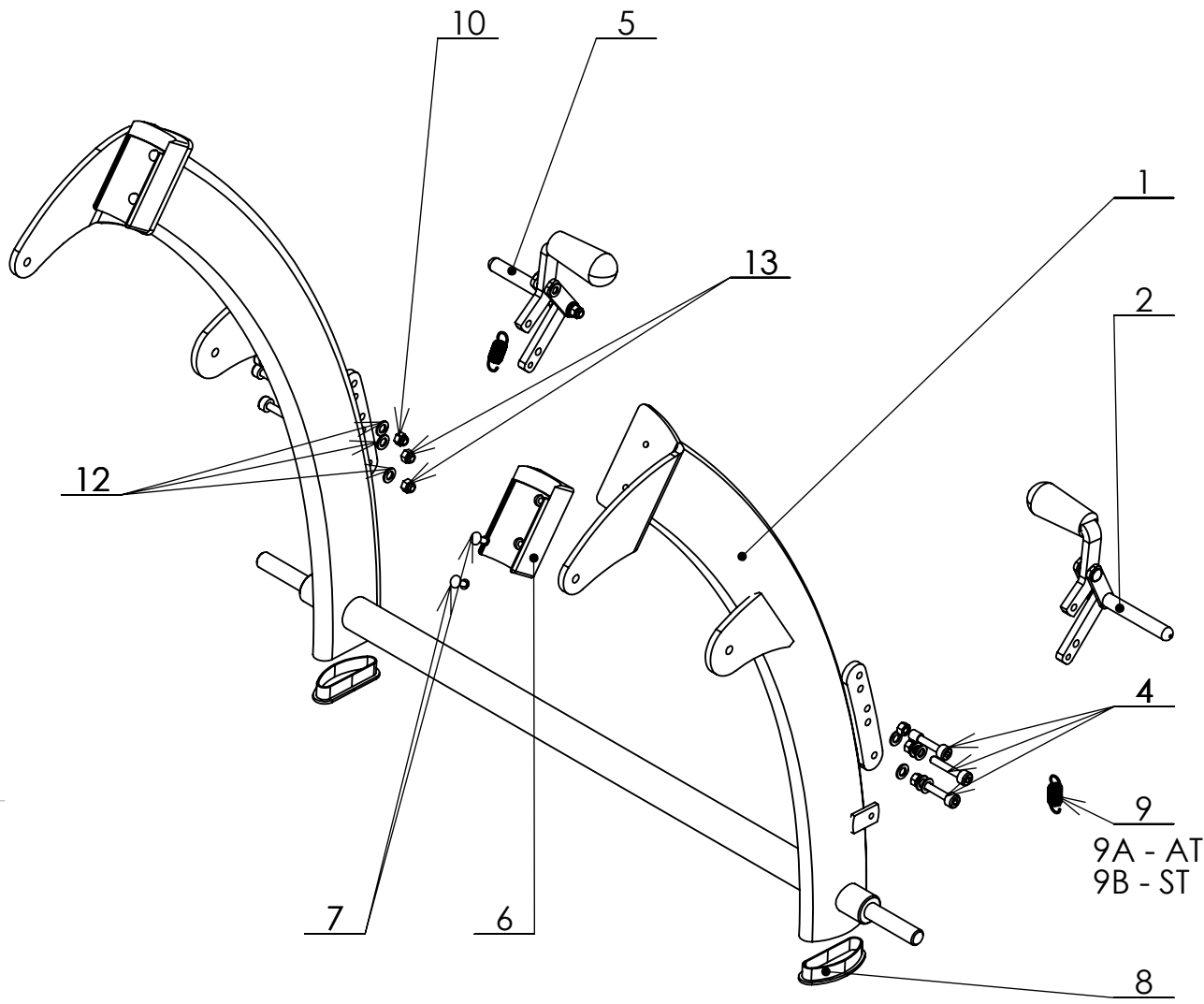
B

C

D

E

F



UNLESS OTHERWISE SPECIFIED:  
DIMENSIONS ARE IN MILLIMETERS  
SURFACE FINISH:  
TOLERANCES:  
LINEAR:  
ANGULAR:



|       | DATE      | NAME       |
|-------|-----------|------------|
| DRAWN | 4.11.2009 | Sklenarova |
| Norm  |           |            |

TITLE:  
CHASSIS / PODVOZEK-Def.B  
T5S MINI

SCALE  
1:5

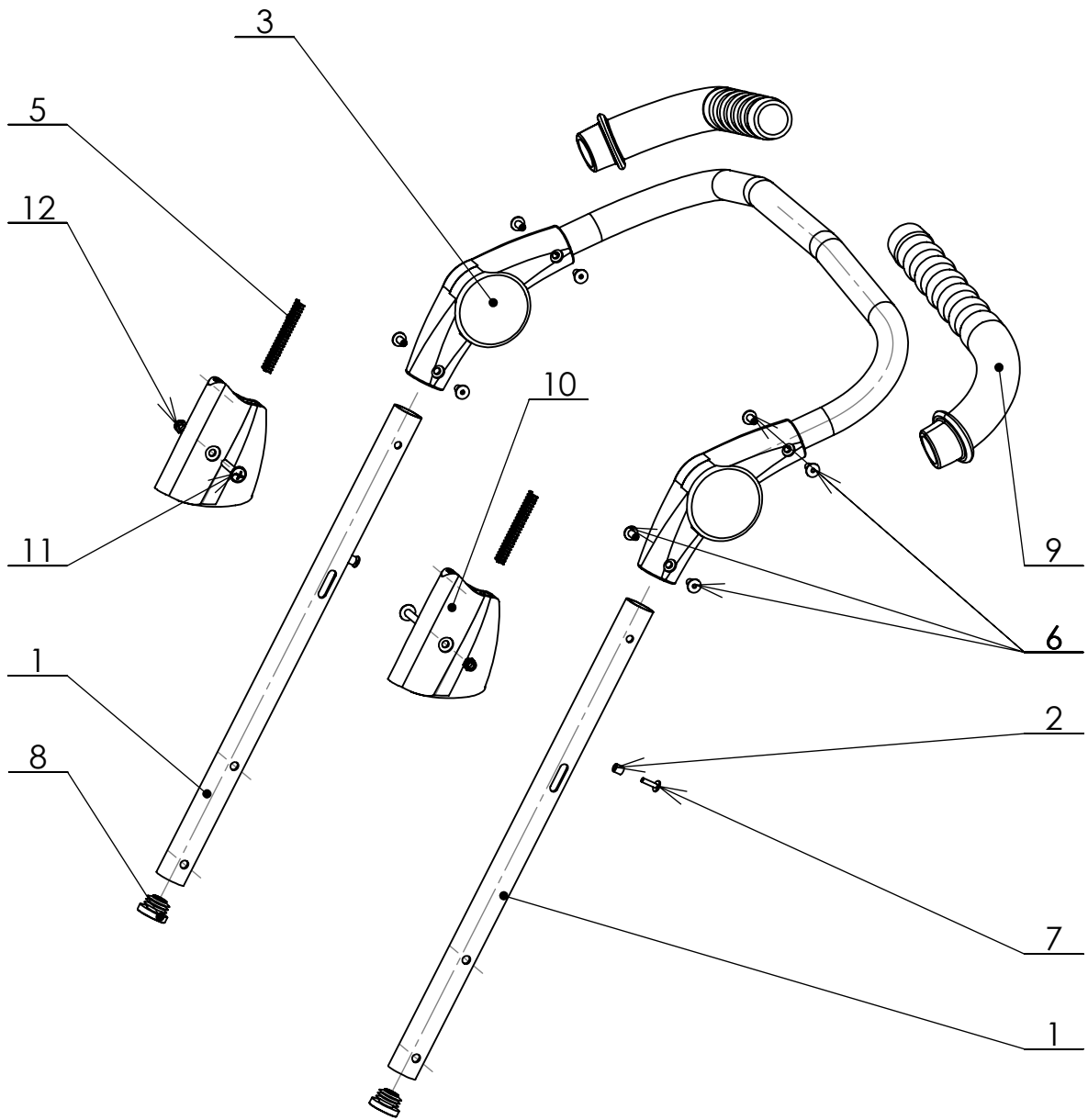


DWG NO.  
SVR00073AA

ISO A4

SIGNATURE DATE NAME

DETAIL C



UNLESS OTHERWISE SPECIFIED:  
 DIMENSIONS ARE IN MILLIMETERS  
 SURFACE FINISH:  
 TOLERANCES:  
 LINEAR:  
 ANGULAR:



|       | DATE      | NAME       |
|-------|-----------|------------|
| DRAWN | 4.11.2009 | Sklenarova |
| Norm  |           |            |

TITLE:

CHASSIS / PODVOZEK-Def.C  
 T5S MINI

SCALE

1:5

DWG NO.

SVR00074AA

ISO A4

SIGNATURE

DATE

NAME



1 2 3 4

DETAIL D

A

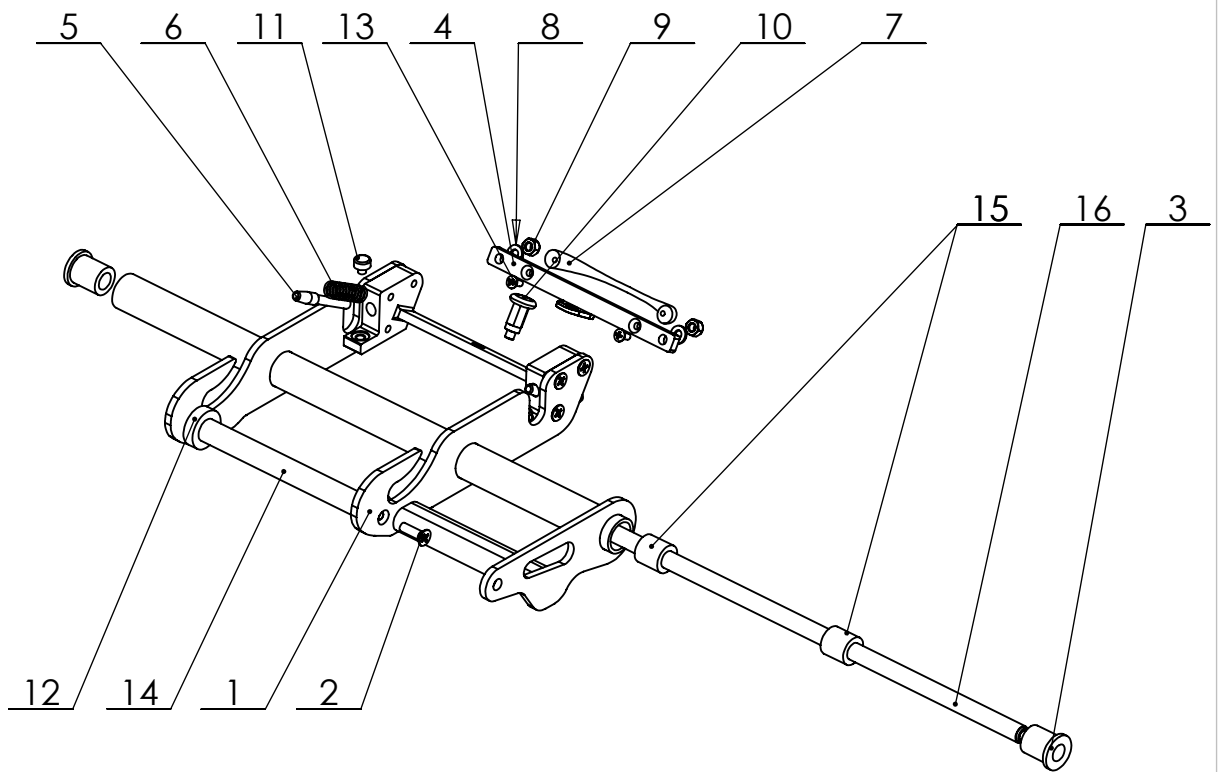
B

C

D

E

F



UNLESS OTHERWISE SPECIFIED:  
 DIMENSIONS ARE IN MILLIMETERS  
 SURFACE FINISH:  
 TOLERANCES:  
 LINEAR:  
 ANGULAR:



|       | DATE      | NAME       |
|-------|-----------|------------|
| DRAWN | 4.11.2009 | Sklenarova |
| Norm  |           |            |

TITLE:  
**CHASSIS / PODVOZEK-Def.D**  
**T5S MINI**

SCALE  
 1:5

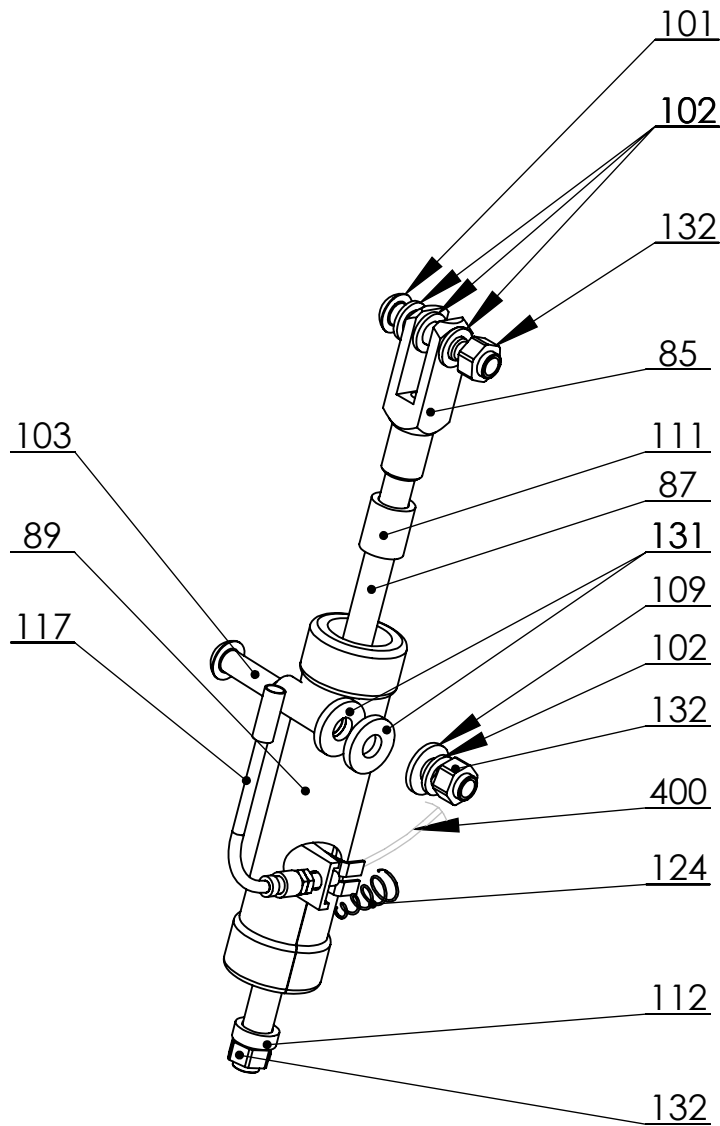


DWG NO.  
**SVR00075AA**

|           |      |      |
|-----------|------|------|
| SIGNATURE | DATE | NAME |
|           |      |      |

ISO A4

DETAIL E



UNLESS OTHERWISE SPECIFIED:  
 DIMENSIONS ARE IN MILLIMETERS  
 SURFACE FINISH:  
 TOLERANCES:  
 LINEAR:  
 ANGULAR:



|       | DATE      | NAME       |
|-------|-----------|------------|
| DRAWN | 4.11.2009 | Sklenarova |
| Norm  |           |            |

TITLE:

CHASSIS / PODVOZEK-Def.E  
 T5S MINI

SCALE

2:5

DWG NO.

SVR00076AA



SIGNATURE

DATE

NAME

ISO A4