

HOGGI[®]



CE

SWINGBO

System-Wheelchair for kids

Spare Parts Catalogue

GB/US

HOGGI[®] - *Partnering together to mobilise kids*

When ordering spare parts, please always indicate the following basic data to ensure smooth delivery:

- 1) Serial no. of the product
- 2) Seat width
- 3) Frame colour

Article numbers which have (-xxx) at the end must be completed with a code number for the frame color.

Frame colours	Colour code
Traffic Yellow	(-017)
Flame Red	(-018)
Sky Blue	(-019)
Yellow Green	(-020)

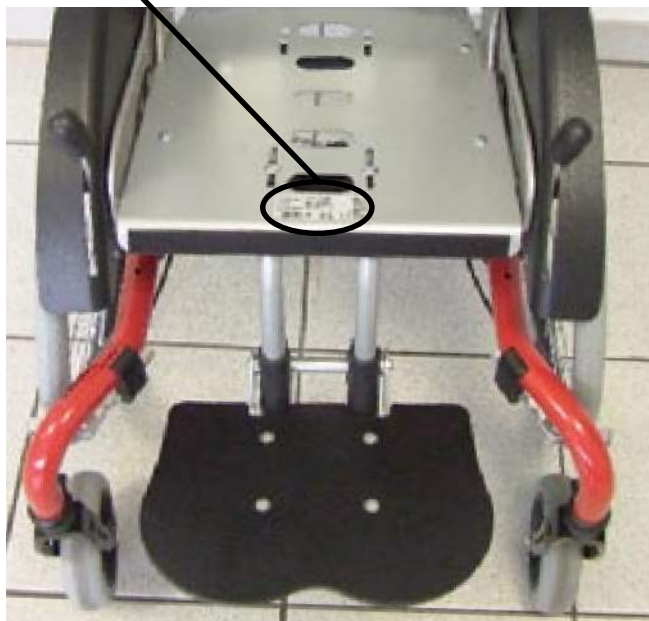
Contents	Page
Index	4+5
Component group overview _____	6-10
Spare parts _____	11 - 24
Spare parts for accessories _____	25 - 47
Notes _____	48

Identification

Type plate model



Type plate seat unit



A = Seat width (SW)

B = Model

C = Frame colour

D = Serial number



Index

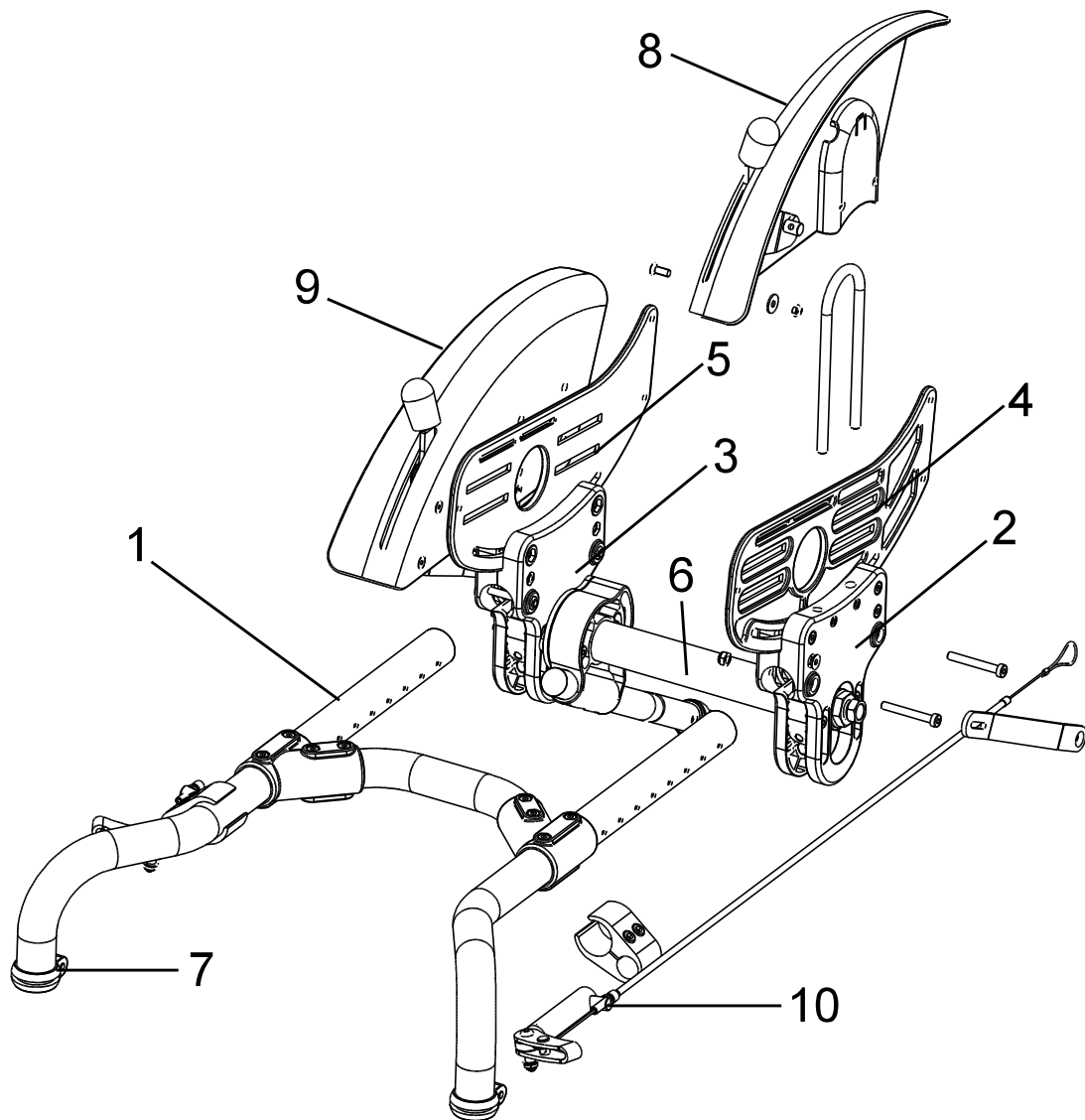
Component group	Page
SWINGBO-S mobility base	6
SWINGBO-STi mobility base	7
SWINGBO-V mobility base	8
SWINGBO-VTi mobility base.....	9
Seat unit.....	10
Baseframe S / STi	11
Baseframe V / VTi	12
Adapter plate-S.....	13
Adapter plate-V.....	14
Adapter plate-STi.....	15
Adapter plate-VTi.....	16
Tilt adjustment	17
Axle tube	18
Fender.....	19
Wheel lock.....	20
Brake lock lever.....	21
Brake system	22
Castor forks	23
Front castors.....	24
Rear wheels	25+26
Push-rim cover	27
Seat..□	28
Push bar	29
Push handle unit.....	30

Index

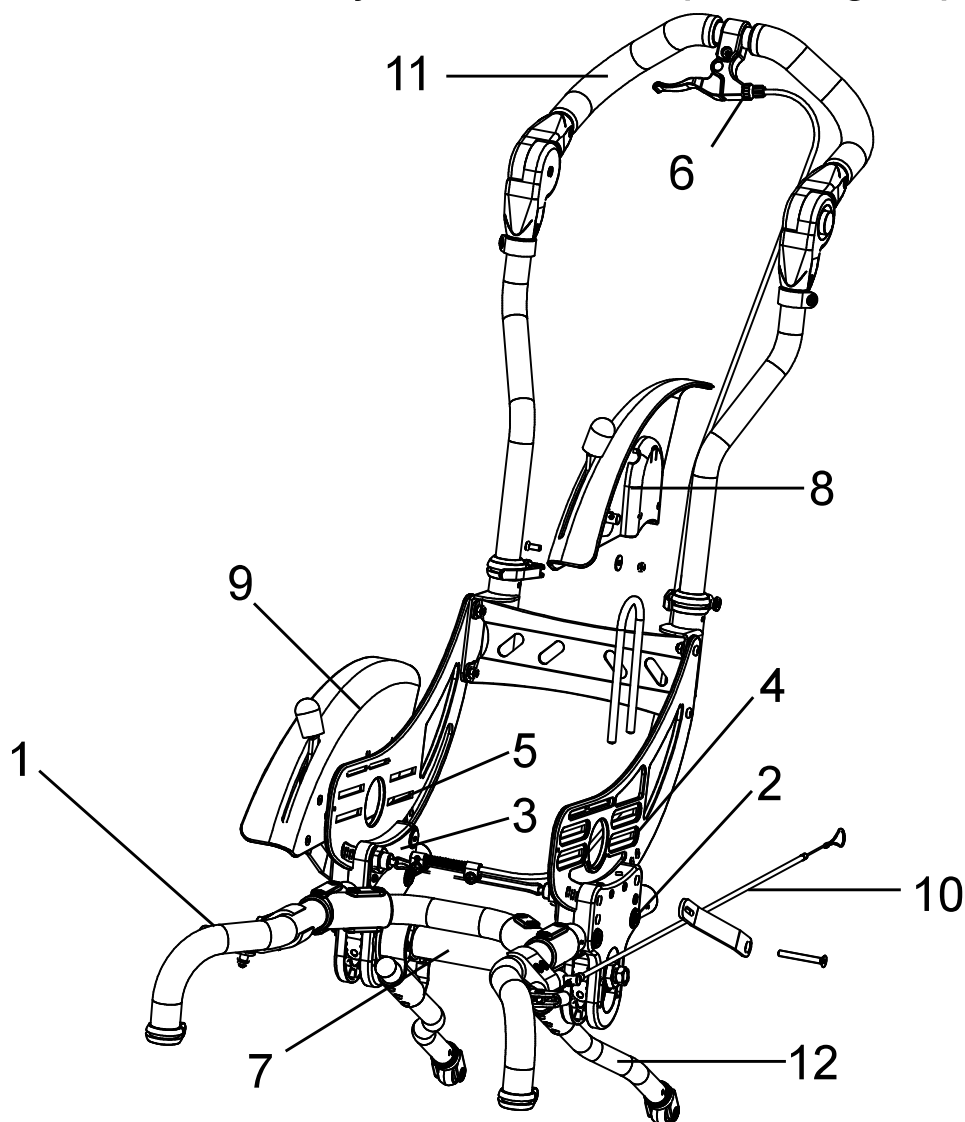
Component group	Page
Single push handle.....	31
Handle bracket.....	32
Anti tip	33-35
Knee angle system 90°	36
Knee angle system angle, adjustable.....	37
Foot rest bracket	38
Foot rest bracket with interlocking.....	39
Foot rest with fasteners.....	40
Upholstery.....	41
Headrest	42
Universal headrest.....	43
Armrest size 1 and 2.....	44
Armrest size 3 and 4.....	45
Therapy tray.....	46
Clamping unit.....	47
Your notes	48

Component group overview

SWINGBO-S mobility base

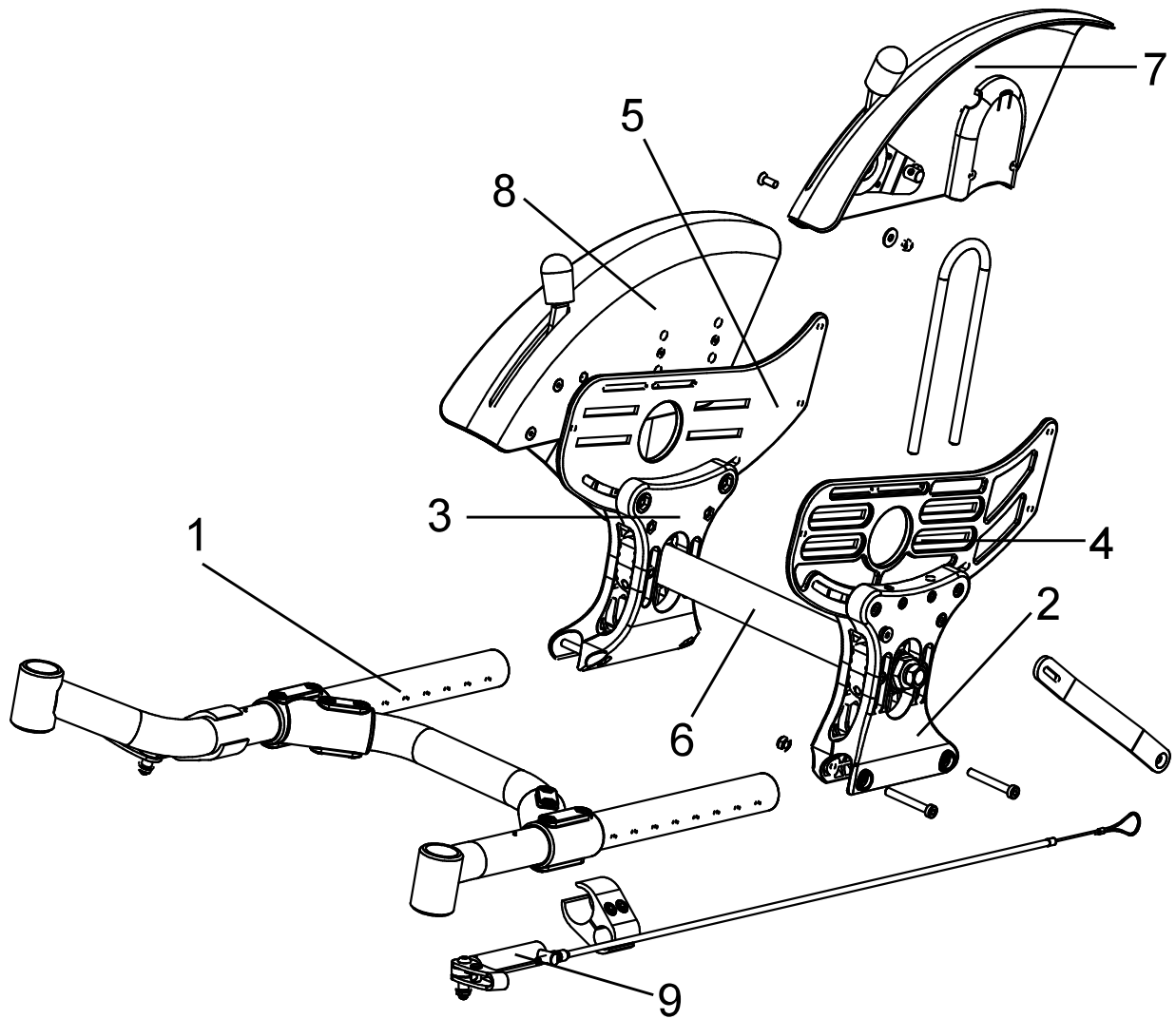


Item	Article number	Component group	Page
1-10	3240-10SB-xxx	SWINGBO-S mobility base	
1		Baseframe S	11
2	3240-1151	Adapter plate outside	13
3	3240-1152	Adapter plate inside	13
4	3240-151x-002	Seat adaptor left	13
5	3240-151x-002	Seat adaptor right	13
6	3240-13SB	Rear axle	18
7	3240-1170	Castor fork bracket	11
8	3240-16xx	Fender, left	19
9	3240-16xx	Fender, right	19
10	3240-17xx	Brake system	20
not illustr.		Front castors and castor forks	23
not illustr.		Rear wheels	25



Item	Article number	Component group	Page
1-12	3240-10SB-xxx	SWINGBO-STi mobility base	
1		Baseframe STi	11
2	3240-1151	Adapter plate outside	15
3	3240-1152	Adapter plate inside	15
4	3243-151x-002	Seat adaptor left	15
5	3243-151x-002	Seat adaptor right	15
6	3243-19xx	Tilt adjustment	17
7	3240-13SB	Rear axle	18
8	3240-16xx	Fender, left	19
9	3240-16xx	Fender, right	19
10	3240-17xx	Brake system	20
11	3243-5xxE	Push bar / Push handle unit / Single push handle	29-31
12	3243-1800	Anti tip	33-35
not illustr.		Front castors and castor forks	23
not illustr.		Rear wheels	25

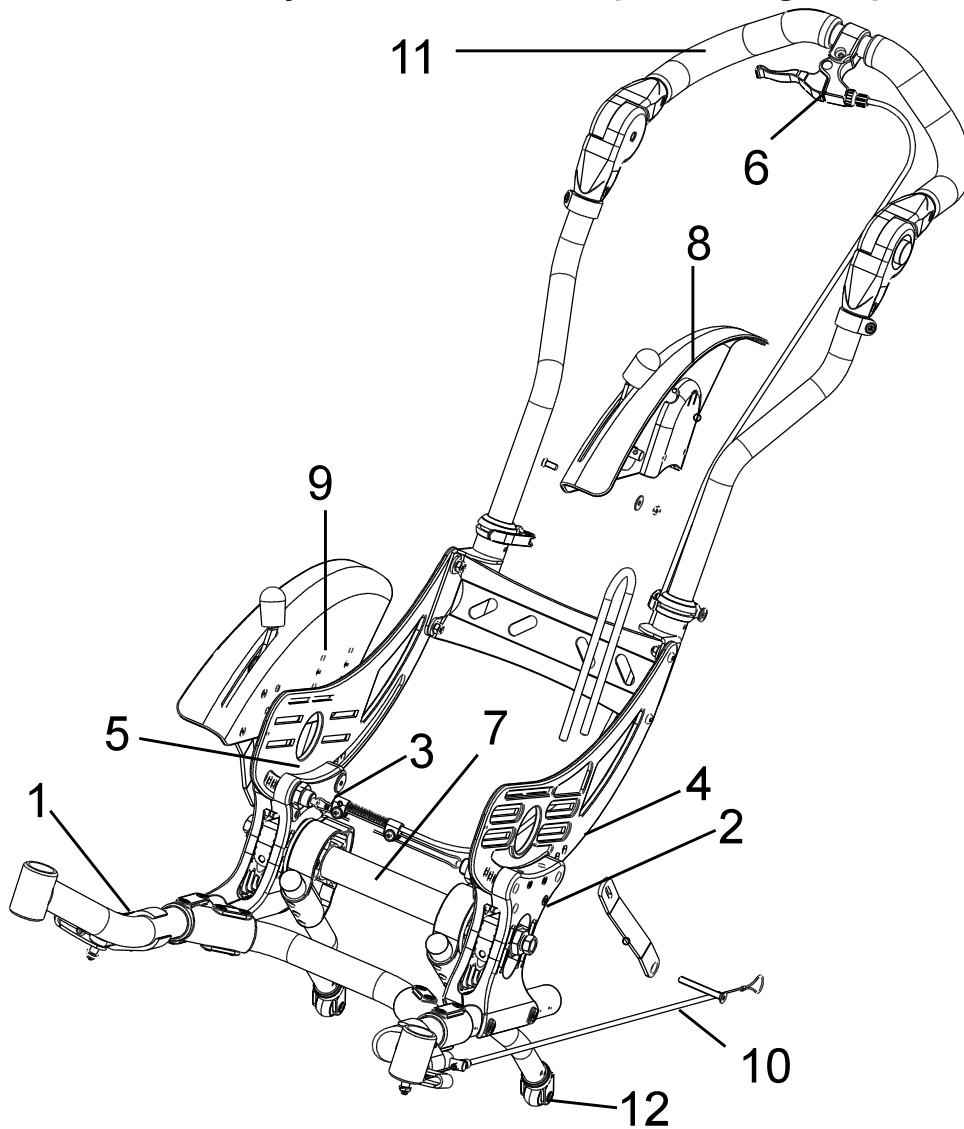
Component group overview SWINGBO-V mobility base



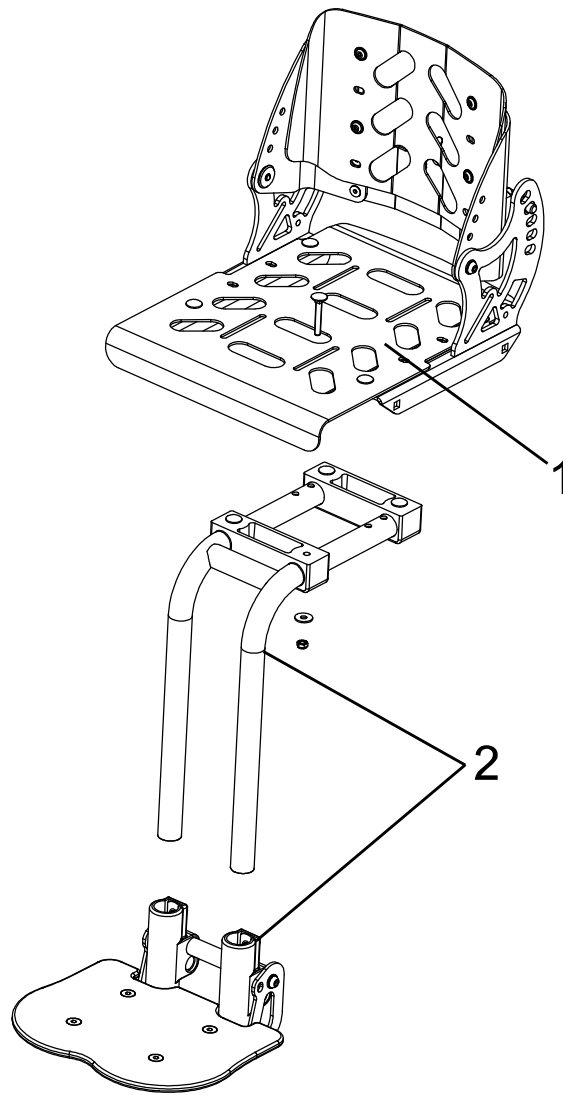
Item	Article number	Component group	Page
1-9	3241-10SB-xxx	SWINGBO-V mobility base	
1		Baseframe V	12
2	3241-1151	Adapter plate outside	14
3	3241-1152	Adapter plate inside	14
4	3240-151x-002	Seat adaptor left	14
5	3240-151x-002	Seat adaptor right	14
6	3240-13SB	Rear axle	18
7	3240-16xx	Fender, left	18
8	3240-16xx	Fender, right	19
9	3240-17xx	Brake system	20
not illustr.		Front castors and castor forks	23
not illustr.		Rear wheels	25

SWINGBO-VTi mobility base

Component group overview

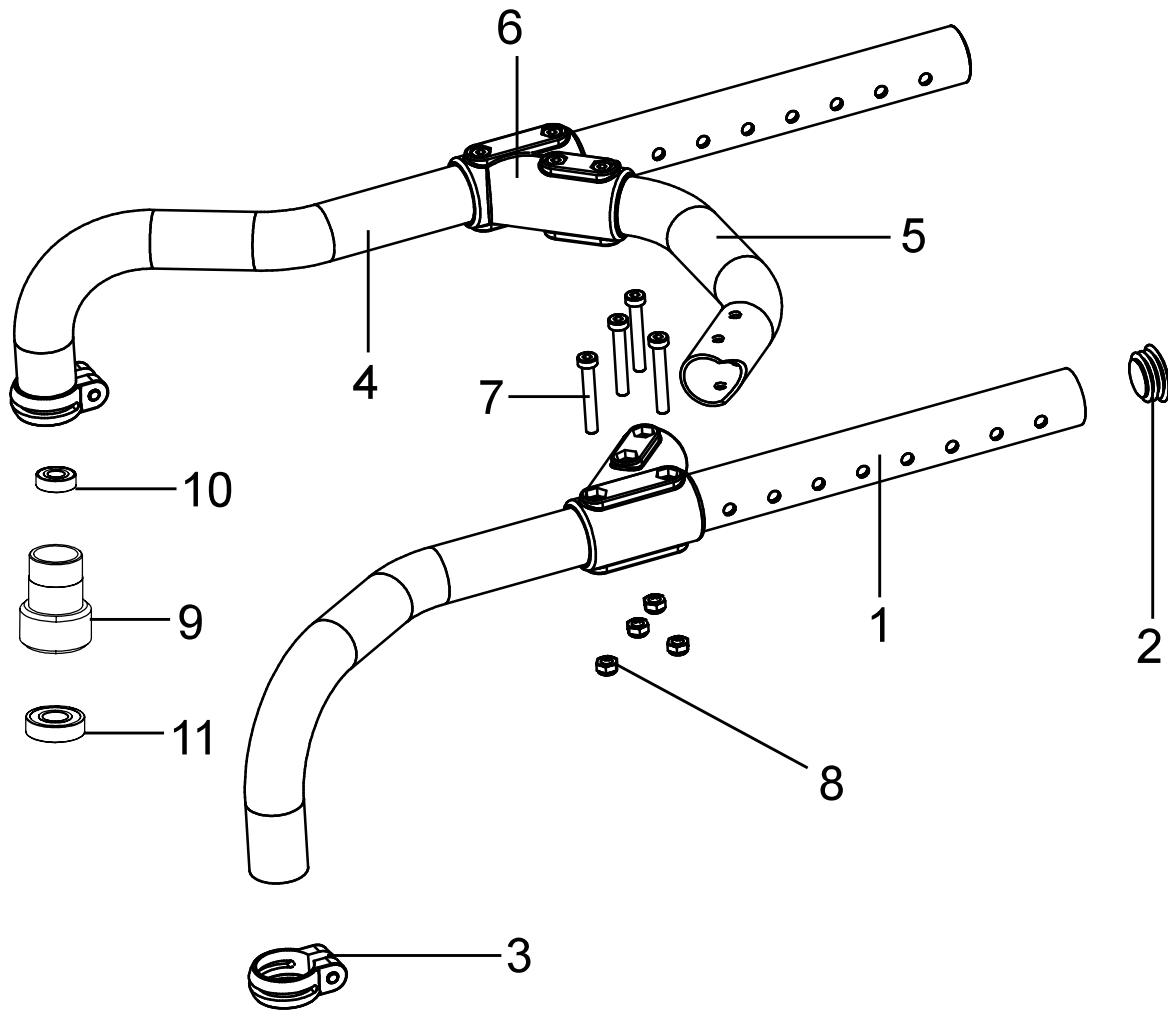


Item	Article number	Component group	Page
1-11	3244-10SB-xxx	SWINGBO-VTi mobility base	
1		Baseframe VTi	12
2	3241-1151	Adapter plate outside	16
3	3241-1152	Adapter plate inside	16
4	3243-151x-002	Seat adaptor left	16
5	3243-151x-002	Seat adaptor right	16
6	3244-19xx	Tilt adjustment	17
7	3240-13SB	Rear axle	18
8	3240-16xx	Fender, left	18
8	3240-16xx	Fender, right	19
10	3240-17xx	Brake system	20
11	3243-5xxE	Push bar / Push handle unit / Single push handle	29-31
12	3243-1800	Anti tip	33-35
not illustr.		Front castors and castor forks	23
not illustr.		Rear wheels	25



Item	Article number	Component group	Page
1	3240-20SW	Seat unit (without foot rest system)	28
2	3240-2800	Knee angle system with footrest	36

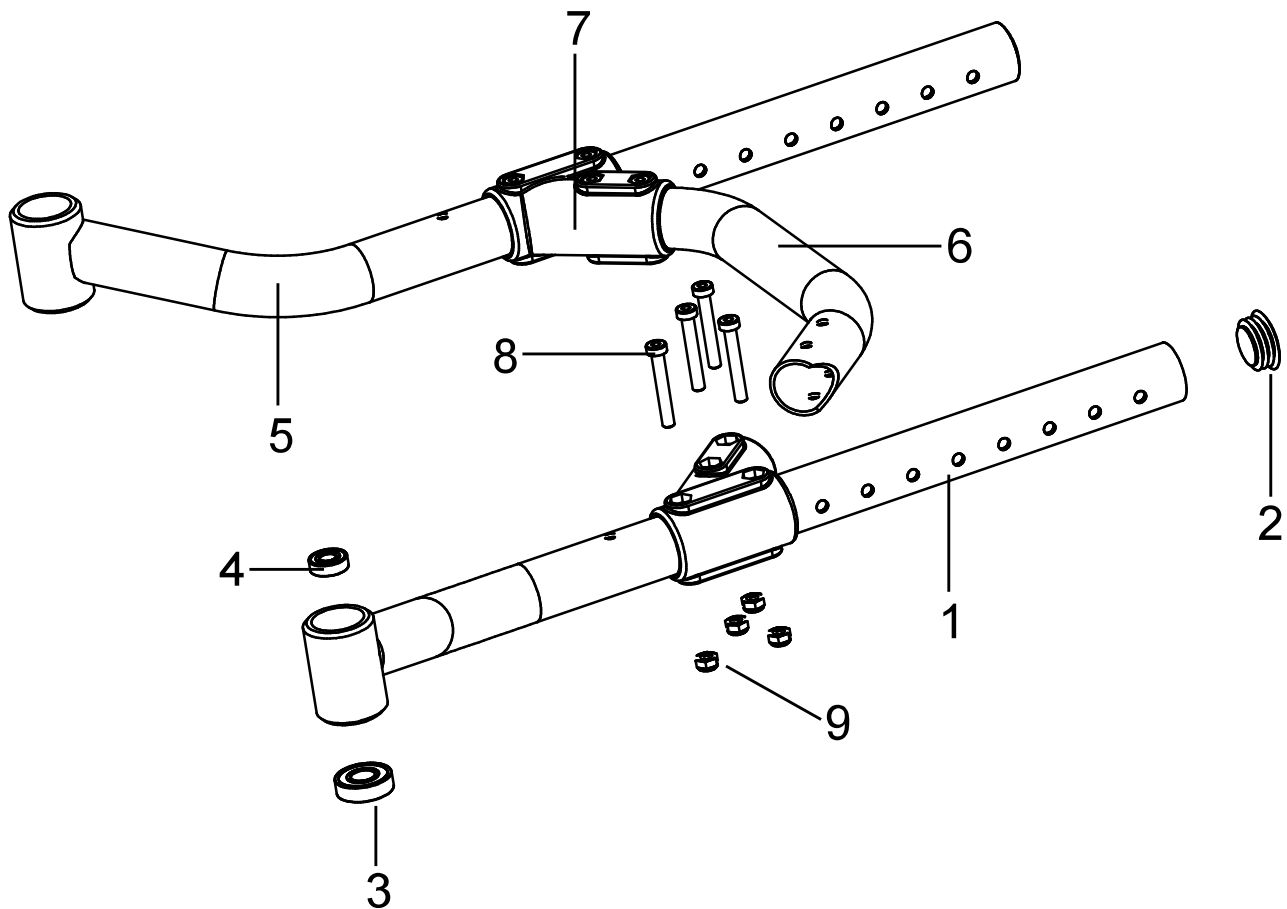
Spare parts



Item	Article number	Article description	Quantity	Unit
1-11		Baseframe S and STi	1	pc.
1-3	3240-1111E-xxx	Sidebar left	1	pc.
2-4	3240-1112E-xxx	Sidebar right	1	pc.
2	1141-0016	Ribbed insert SFL 25x1-2.5	2	pc.
3	1129-0010	Saddle clamp d 29,8 mm black	2	pc.
5	3240-12SB-015	Cross tube	1	pc.
6	3240-1160	Fasteners	2	pc.
7	1022-0640	Cylinder head screw zp DIN/ISO 7984 M6x40	8	pc.
8	1042-0006	Hexagon nut self-locking zp DIN/ISO 985 M6	8	pc.
9	3240-1171-006	Castor fork bracket, anodised	2	pc.
10	1090-0004	Grooved ball bearing 6000 2RS D26xd10x8	2	pc.
11	1090-0005	Grooved ball bearing 6001 2RS D28xd12x8	2	pc.

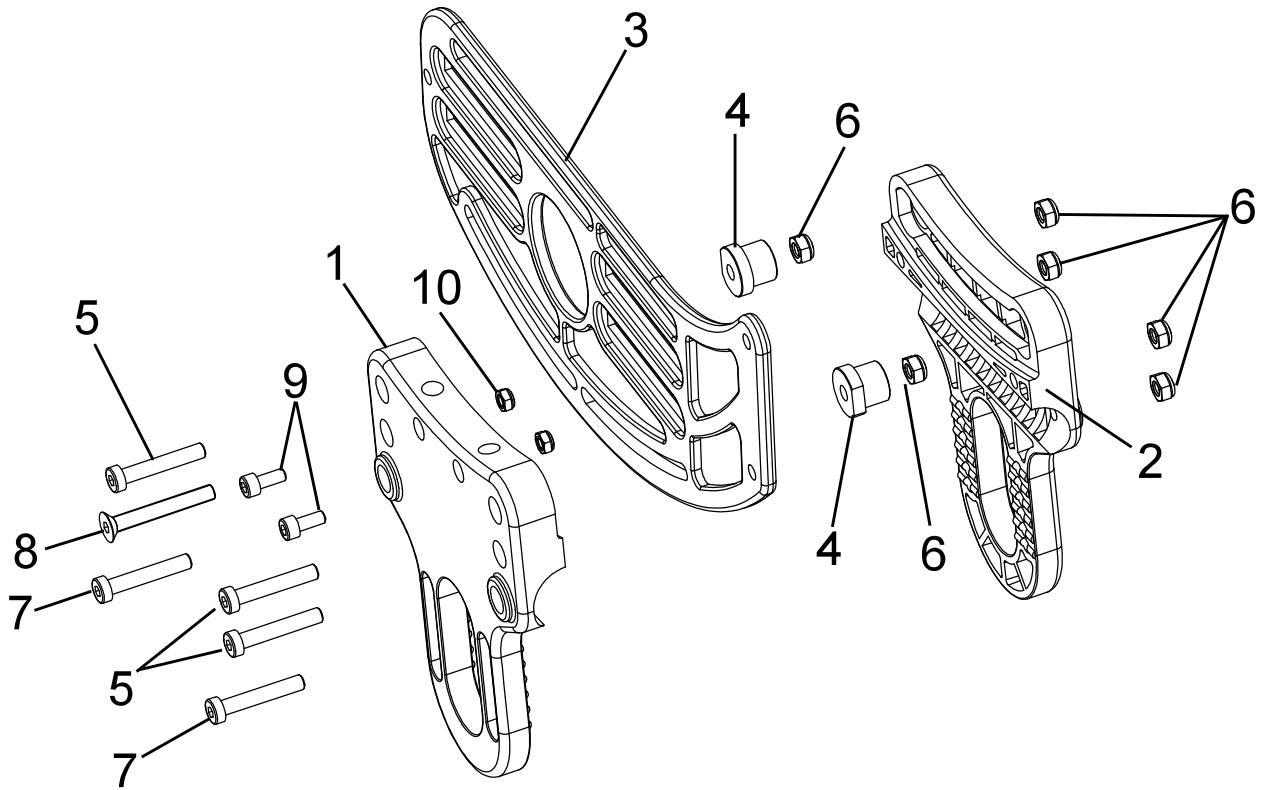
SW = Please complete the article number with the SW.

Spare parts

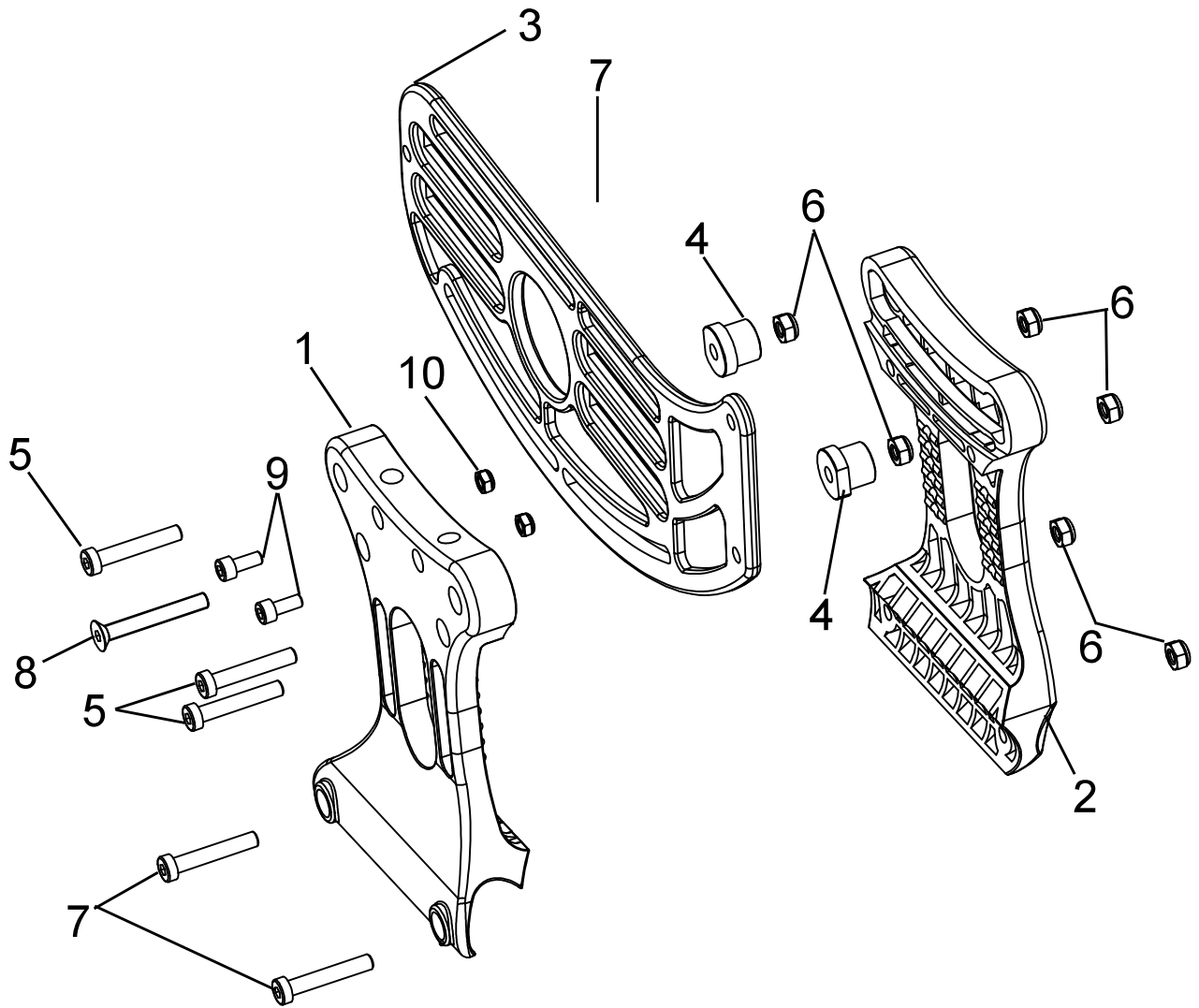


Item	Article number	Article description	Quantity	Unit
1-9		Baseframe V and VTi	1	pc.
1-4	3241-1114E-xxx	SWINGBO-V frame left side	1	pc.
2-5	3241-1115E-xxx	SWINGBO-V frame right side	1	pc.
2	1141-0016	Ribbed insert SFL 30	2	pc.
3	1090-0005	Grooved ball bearing 6001 2RS D28xd12x8	2	pc.
4	1090-0004	Grooved ball bearing 6000 2RS D26xd10x8	2	pc.
6	3240-12SB-015	Cross tube	1	pc.
7	3240-1160	Fasteners	2	pc.
8	1022-0640	Cylinder head screw zp DIN/ISO 7984 M6x40	8	pc.
9	1042-0006	Hexagon nut self-locking zp DIN/ISO 985 M6	8	pc.

SW = Please complete the article number with the SW plus 4 cm. (e.g. SW 26 + 4 = 30)



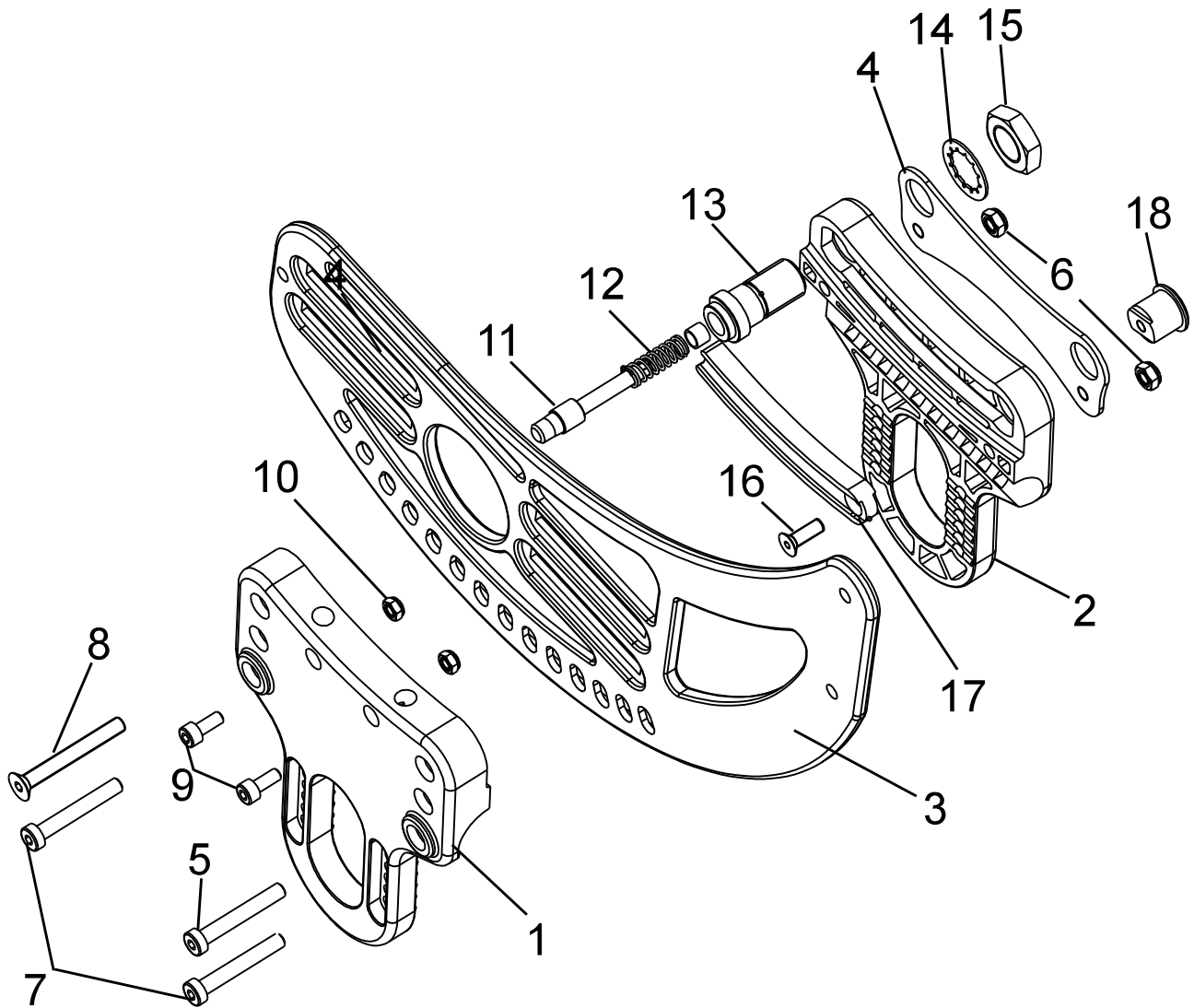
Item	Article number	Article description	Quantity	Unit
1	3240-1151	Adapter plate (S), outside	2	pc.
2	3240-1152	Adapter plate (S), inside	2	pc.
3	3240-1511-002	Seat adaptor left size 1 (SW 18 - 26) Seat angle: -5° to +15°	1	pc.
	3240-1513-002	Seat adaptor left size 2 (SW 28 - 34) Seat angle: -5° to +15°	1	pc.
	3240-1512-002	Seat adaptor right size 1 (SW 18 - 26) Seat angle: -5° to +15°	1	pc.
	3240-1514-002	Seat adaptor right size 2 (SW 26 - 34) Seat angle: -5° to +15°	1	pc.
4	3240-1180	Bearing plug	4	pc.
5	1022-0635	Cylinder head screw DIN 7984 M6x35	6	pc.
6	1042-0006	Hexagon nut self-locking zp DIN/ISO 985 M6	12	pc.
7	1022-0645	Hexagon socket head cap screw zp DIN/ISO 7984 M6x45	4	pc.
8	1024-0645	Hexagon socket countersunk head screw zp DIN/ISO 7991 M6x45	2	pc.
9	1021-0512	Cylinder head screw zp DIN 912 M5x12	4	pc.
10	1042-0005	Hexagon nut self-locking zp DIN/ISO 985 M5	4	pc.



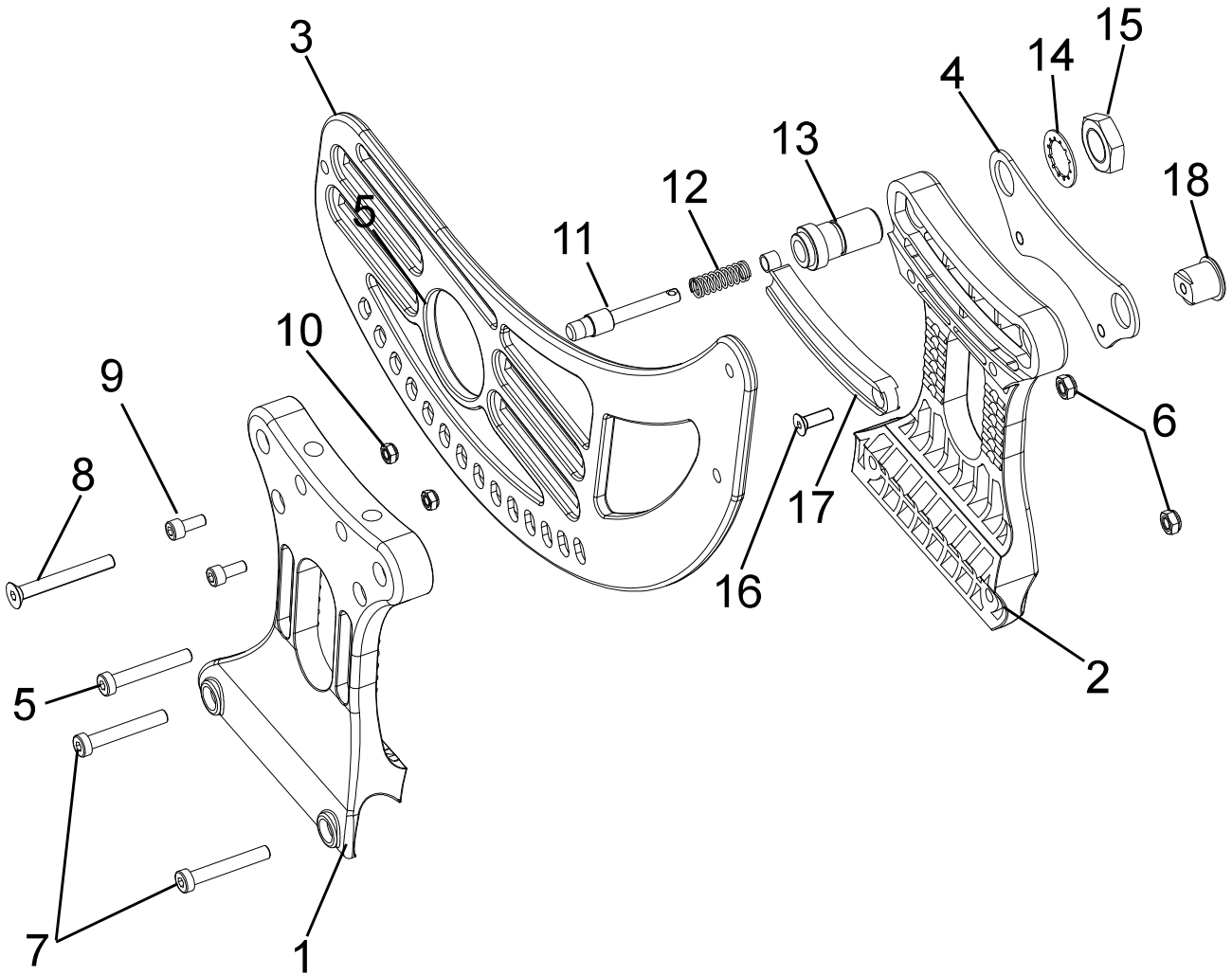
Item	Article number	Article description	Quantity	Unit
1	3241-1151	Adapter plate (V), outside	2	pc.
2	3241-1152	Adapter plate (V), inside	2	pc.
3	3240-1511-002	Seat adaptor left size 1 (SW 18 - 26) Seat angle: -5° to +15°	1	pc.
	3240-1513-002	Seat adaptor left size 2 (SW 28 - 34) Seat angle: -5° to +15°	1	pc.
	3240-1512-002	Seat adaptor right size 1 (SW 18 - 26) Seat angle: -5° to +15°	1	pc.
	3240-1514-002	Seat adaptor right size 2 (SW 26 - 34) Seat angle: -5° to +15°	1	pc.
4	3240-1180	Bearing plug	4	pc.
5	1022-0635	Cylinder head screw DIN 7984 M6x35	6	pc.
6	1042-0006	Hexagon nut self-locking zp DIN/ISO 985 M6	12	pc.
7	1022-0645	Hexagon socket head cap screw zp DIN/ISO 7984 M6x45	4	pc.
8	1024-0645	Hexagon socket countersunk head screw zp DIN/ISO 7991 M6x45	2	pc.
9	1021-0512	Cylinder head screw zp DIN 912, M5x12	4	pc.
10	1042-0005	Hexagon nut self-locking zp DIN/ISO 985 M5	4	pc.

SWINGBO-STi

Spare parts



Item	Article number	Article description	Quantity	Unit
1	3240-1151	Adapter plate (S), outside	2	pc.
2	3240-1152	Adapter plate (S), inside	2	pc.
3	3243-1511-006	Seat adaptor Ti left size 1 (SW 18 - 26) Seat angle: -5° to +45°	1	pc.
	3243-1513-006	Seat adaptor Ti left size 2 (SW 28 - 34) Seat angle: -5° to +45°	1	pc.
	3243-1512-006	Seat adaptor Ti right size 1 (SW 18 - 26) Seat angle: -5° to +45°	1	pc.
	3243-1514-006	Seat adaptor Ti right size 2 (SW 26 - 34) Seat angle: -5° to +45°	1	pc.
4	3243-1153	Traction relief S	2	pc.
5	1022-0640	Cylinder head screw zp DIN/ISO 7984 M6x40	2	pc.
6	1042-0006	Hexagon nut self-locking zp DIN/ISO 985 M6	4	pc.
7	1022-0645	Hexagon socket head cap screw zp DIN/ISO 7984 M6x45	4	pc.
8	1024-0650	Hexagon socket countersunk head screw zp DIN/ISO 7991 M6x50	2	pc.
9	1021-0512	Cylinder head screw zp DIN 912, M5x12	4	pc.
10	1042-0005	Hexagon nut self-locking zp DIN/ISO 985 M5	4	pc.
11	3240-2422	Locking bolt	2	pc.
12	1131-0043	Compression spring D-143F	2	pc.
13	3243-1911	Locking bolt housing	2	pc.
14	1056-0016	Toothed lock washer I17	2	pc.
15	1040-0016	Hexagon nut zp DIN/ISO 439 BM 16x 1,5	2	pc.
16	1024-0516	Hexagon socket countersunk head screw zp DIN/ISO 7991 M5x16	2	pc.
17	3243-1920L	Slide rail, left	1	pc.
	3243-1920R	Slide rail, right	1	pc.
18	3243-1180	Bearing plug	2	pc.



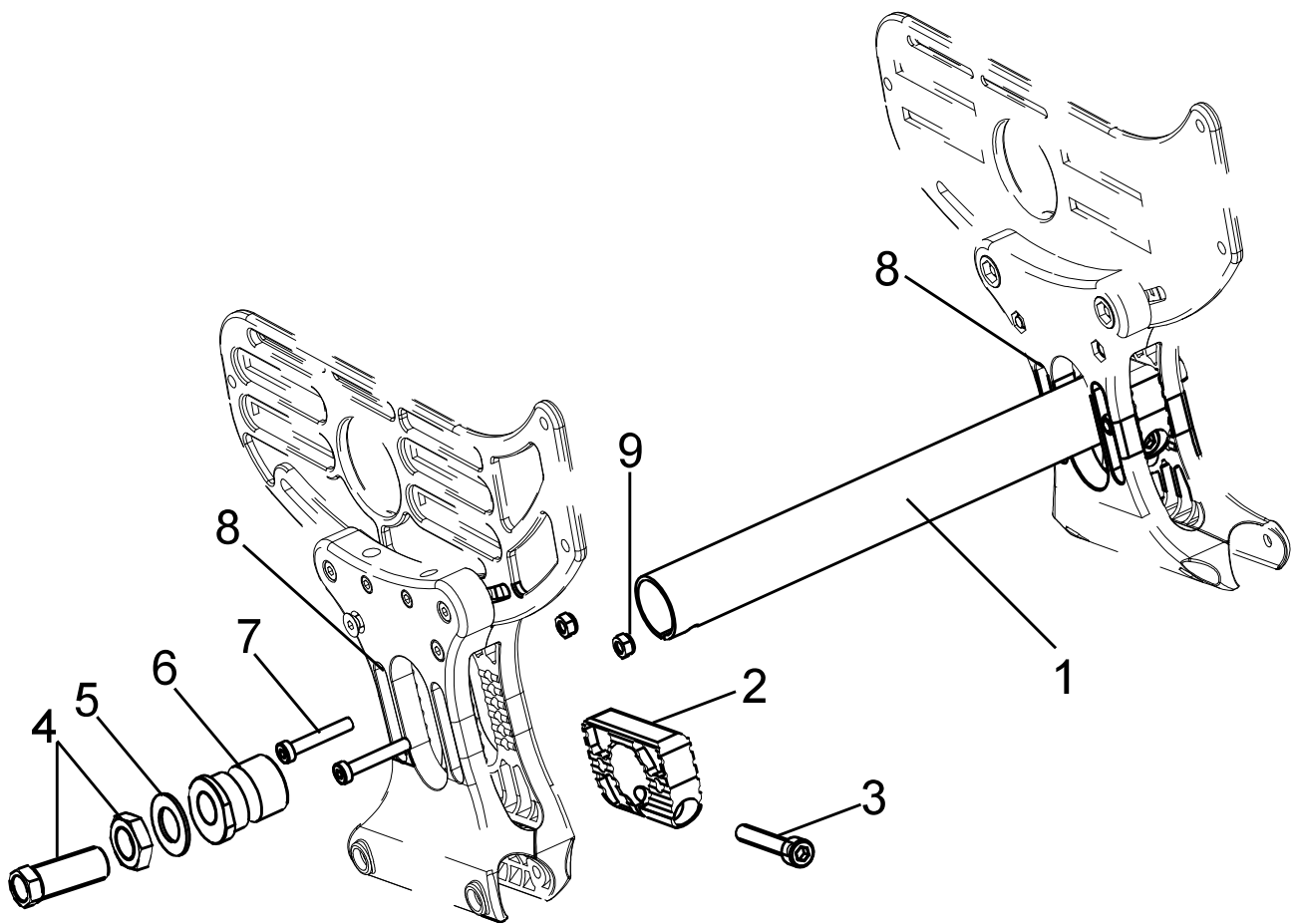
Item	Article number	Article description	Quantity	Unit
1	3241-1151	Adapter plate (V), outside	2	pc.
2	3241-1152	Adapter plate (V), inside	2	pc.
3	3243-1511-006	Seat adaptor Ti left size 1 (SW 18 - 26) Seat angle: -5° to +45°	1	pc.
	3243-1513-006	Seat adaptor Ti left size 2 (SW 28 - 34) Seat angle: -5° to +45°	1	pc.
	3243-1512-006	Seat adaptor Ti right size 1 (SW 18 - 26) Seat angle: -5° to +45°	1	pc.
	3243-1514-006	Seat adaptor Ti right size 2 (SW 26 - 34) Seat angle: -5° to +45°	1	pc.
4	3244-1153	Traction relief V	2	pc.
5	1022-0640	Cylinder head screw zp DIN/ISO 7984 M6x40	2	pc.
6	1042-0006	Hexagon nut self-locking zp DIN/ISO 985 M6	4	pc.
7	1022-0645	Hexagon socket head cap screw zp DIN/ISO 7984 M6x45	4	pc.
8	1024-0650	Hexagon socket countersunk head screw zp DIN/ISO 7991 M6x50	2	pc.
9	1021-0512	Cylinder head screw zp DIN 912, M5x12	4	pc.
10	1042-0005	Hexagon nut self-locking zp DIN/ISO 985 M5	4	pc.
11	3240-2422	Locking bolt	2	pc.
12	1131-0043	Compression spring D-143F	2	pc.
13	3243-1911	Locking bolt housing	2	pc.
14	1056-0016	Toothed lock washer I17	2	pc.
15	1040-0016	Hexagon nut zp DIN/ISO 439 BM 16x 1,5	2	pc.
16	1024-0516	Hexagon socket countersunk head screw zp DIN/ISO 7991 M5x16	2	pc.
17	3243-1920L	Slide rail, left	1	pc.
	3243-1920R	Slide rail, right	1	pc.
18	3243-1180	Bearing plug	2	pc.

Spare parts



Item	Article number	Article description	Quantity	Unit
1	3240-2422	Locking bolt	2	pc.
2	1131-0043	Compression spring D-143F	2	pc.
3	3243-1911	Locking bolt housing	2	pc.
4	3243-1153	Traction relief S	2	pc.
	3244-1153	Traction relief V	2	pc.
5	1056-0016	Toothed lock washer I17	2	pc.
6	1040-0016	Hexagon nut zp DIN/ISO 439 BM 16x 1,5	2	pc.
7	1129-0012	Key ring SP 14x1,3	2	pc.
8	1129-0001	Ratchet joint 1,2x1,8	0,5	mtr.
9	3243-1931	Bowden cable	1	pc.
10	3243-1932	Nipple bearing	1	pc.
11	1099-0004	Screw nipple 1100, D5x8	1	pc.
12	1131-0062-008	Compression spring D-180-13	1	pc.
13	1030-0510	Button head socket screw with flange zp M5x10	2	pc.
14	1042-0005	Hexagon nut self-locking zp DIN/ISO 985 M5	2	pc.
15	1209-0007	End cap aluminium U-BA-S for Bowden cable wire	1	pc.
16	1209-0016	Bowden cable BZ-1100x1230-HOG	1	pc.
17	1209-0017	Brake lever with splittet bracket, d 22 mm	1	pc.
	1209-0015	Brake lever aluminium for 3 fingers use	1	pc.
18	1024-0516	Hexagon socket countersunk head screw zp DIN/ISO 7991 M5x16	2	pc.
19	3243-1920L	Slide rail, left	1	pc.
20	3243-1920R	Slide rail, right	1	pc.
21	3243-1180	Bearing plug	2	pc.

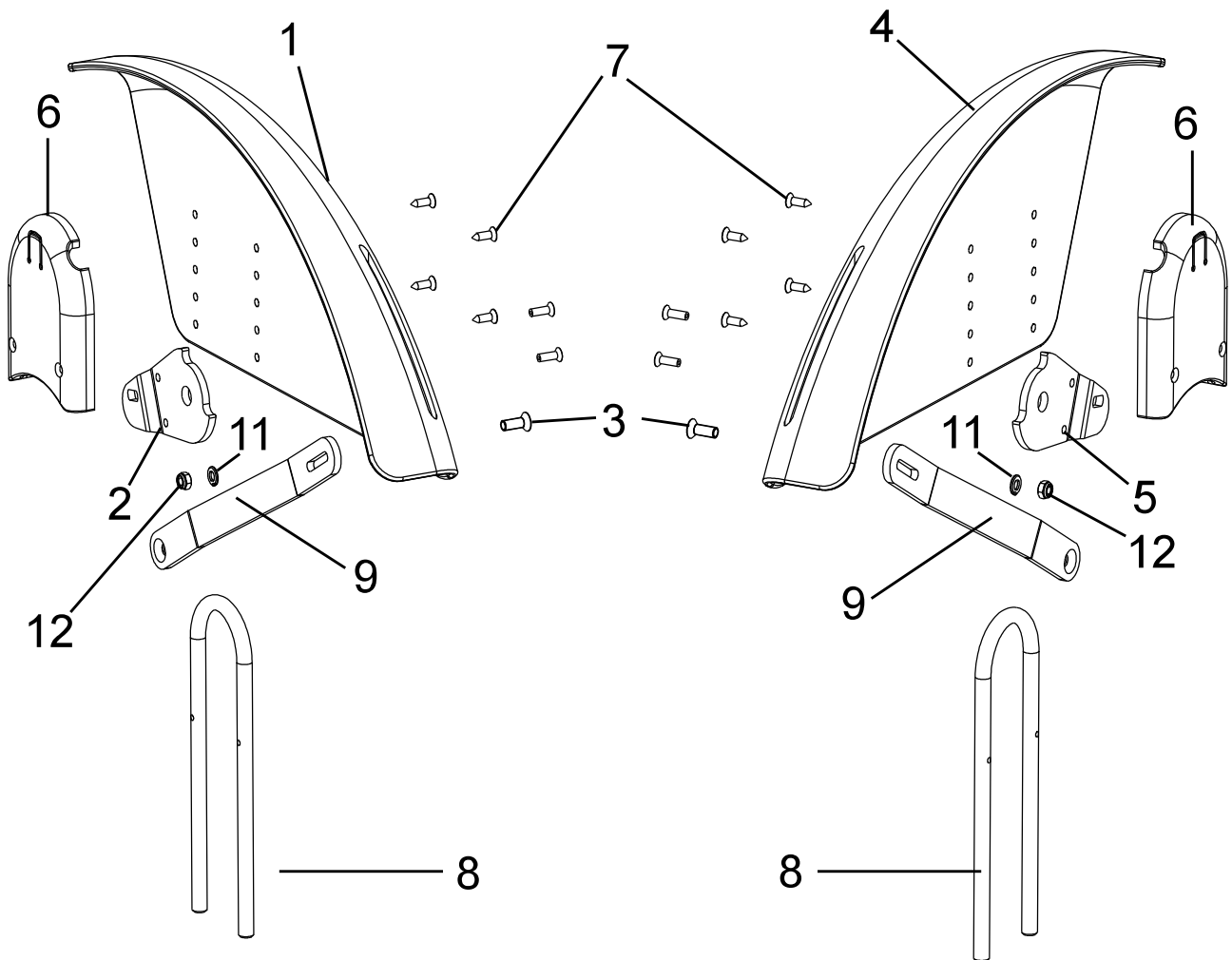
Spare parts



Item	Article number	Article description	Quantity	Unit
1	3240-14SW-006	Axle tube SW anodised	1	pc.
2	3240-1340	Positioning adapter	2	pc.
3	1021-0845	Cylinder head screw zp DIN/ISO 912 M8x45	2	pc.
4	1205-0010	Adapter with nut M16x1 for quick-release-axle 12/45 mm	2	pc.
5	1052-0016	Spring washer B16 zp DIN/ISO 137 B16	2	pc.
6	3240-1352-006	Adapter housing 6°, anodised	2	pc.
	3240-1362-006	Adapter housing 9°, anodised	2	pc.
7	1022-0640	Cylinder head screw zp DIN/ISO 7984 M6x40	4	pc.
8	3240-1154	Sliding block	8	pc.
9	1042-0006	Hexagon nut self-locking zp DIN/ISO 985 M6	4	pc.

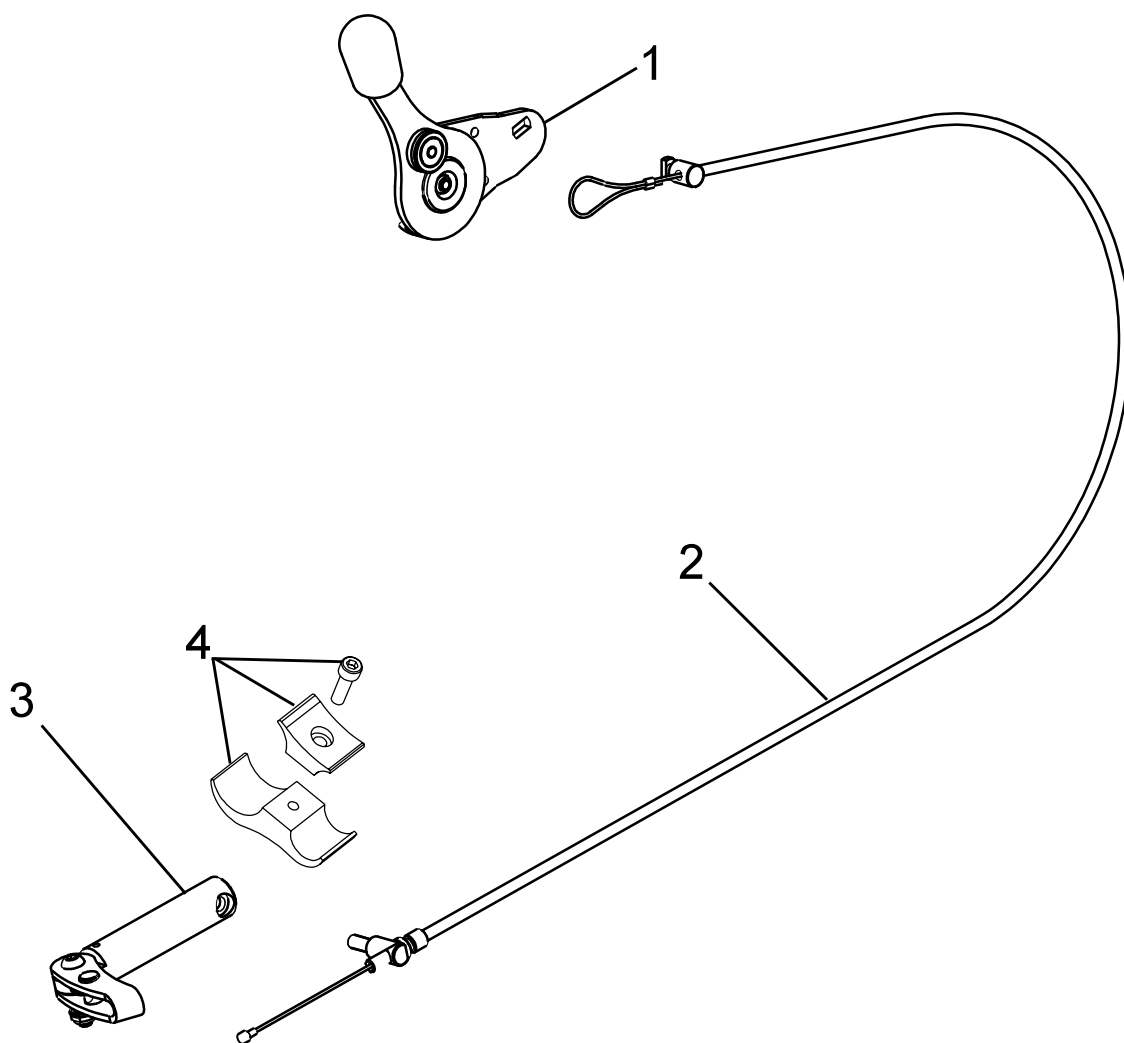
SW = Please complete the article number with the SW.
 Position 7 and 8 if anti tip is mounted.

Spare parts



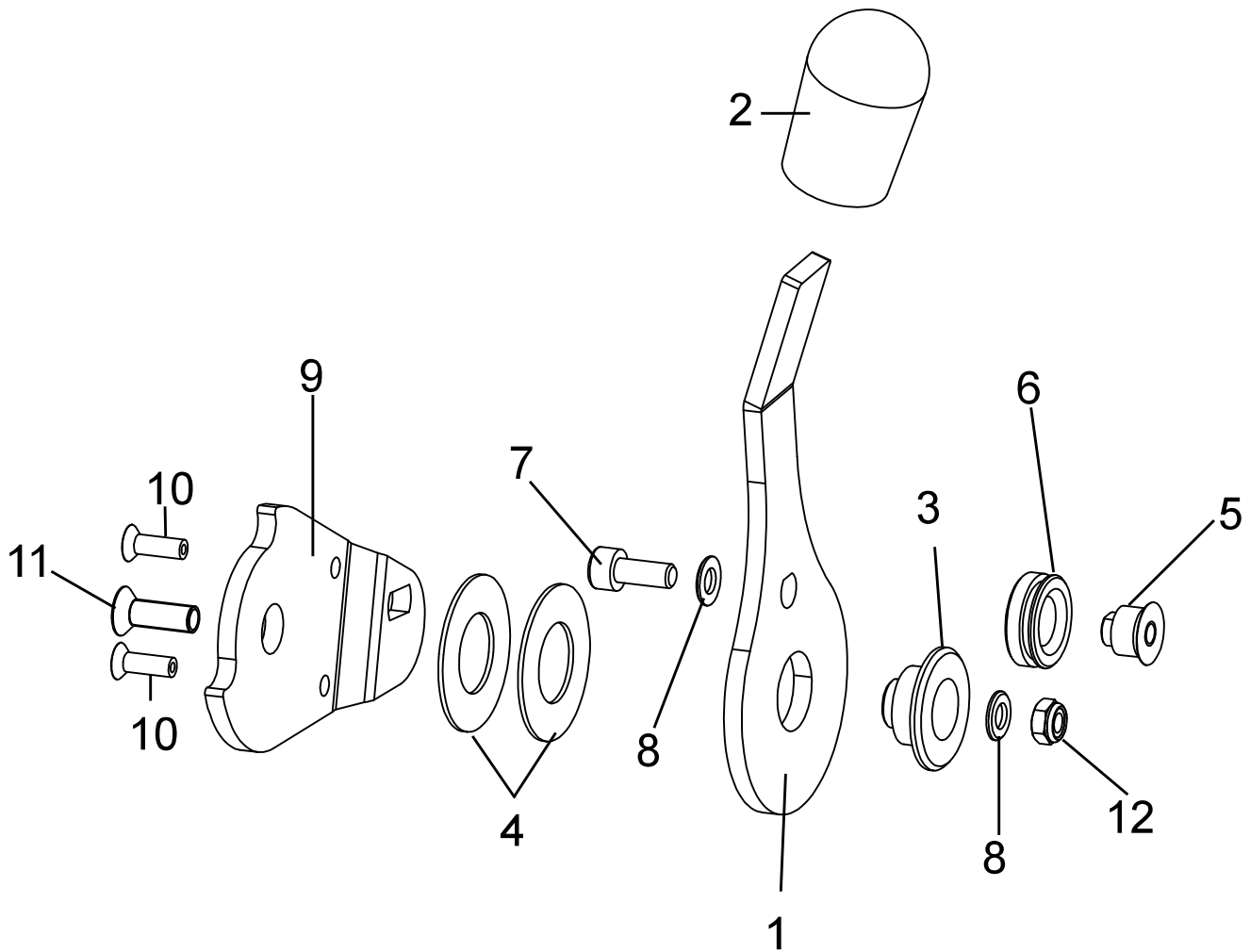
Item	Article number	Article description	Quantity	Unit
1-3	3240-1621E	Fender, right 20" with base plate for brake lever	1	pc.
	3240-1641E	Fender, right 22" with base plate for break lever	1	pc.
	3240-1661E	Fender, right 24" with base plate for break lever	1	pc.
2	3251-1751	Base plate brake lock lever, right	1	pc.
3	1063-0412	Blind rivet St/St DIN/ISO 7337 S4x12	4	pc.
3-5	3240-1611E	Fender, left 20" with base plate for brake lever	1	pc.
	3240-1631E	Fender, left 22" with base plate for brake lever	1	pc.
	3240-1651E	Fender, left 24" with base plate for brake lever	1	pc.
5	3251-1741	Base plate brake lock lever, left	1	pc.
6	3240-1681	Adapter for fender	2	pc.
7	1039-0006	Tapping screw with countersunk head DIN 7982 C 3,9x13	8	pc.
8	3240-1691	U-bracket 120 anodised	2	pc.
	3240-1692	U-bracket 150 anodised	2	pc.
	3240-1693	U-bracket 180 anodised	2	pc.
9	3240-1671-002	Strut, silver 20"	2	pc.
	3240-1672-002	Strut, silver 22"	2	pc.
	3240-1673-002	Strut, silver 24"	2	pc.
	3240-1674-002	Strut, silver 24" (SWINGBO V)	2	pc.
10	1024-0514	Hexagon socket countersunk head screw zp DIN/ISO 7991 M5x14	2	pc.
11	1055-0005	Washer A5,3 zp DIN/ISO 9021 A5,3	2	pc.
12	1042-0005	Hexagon nut self-locking zp DIN/ISO 985 M5	2	pc.

Spare parts



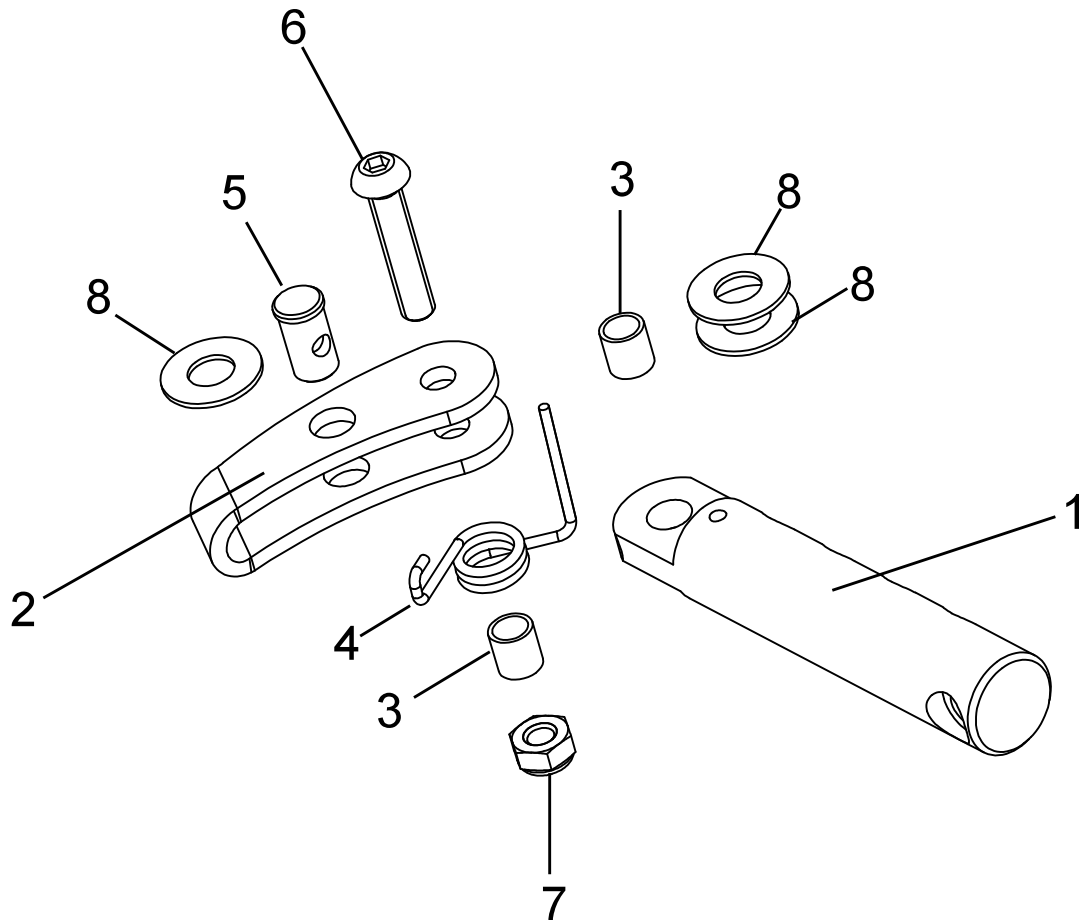
Item	Article number	Article description	Quantity	Unit
1-3	3240-1701E	Brake assembly left	1	pc.
	3240-1702E	Brake assembly right	1	pc.
1	3240-1740E	Brake lock lever, left	1	pc.
	3240-1750E	Brake lock lever, right	1	pc.
2	1209-0025	Brake cable SWINGBO	2	pc.
3	3240-1710E	Brake, left	1	pc.
	3240-1720E	Brake, right	1	pc.
4	3251-1730	Clamp 30-19, black, with screw	2	pc.

Spare parts



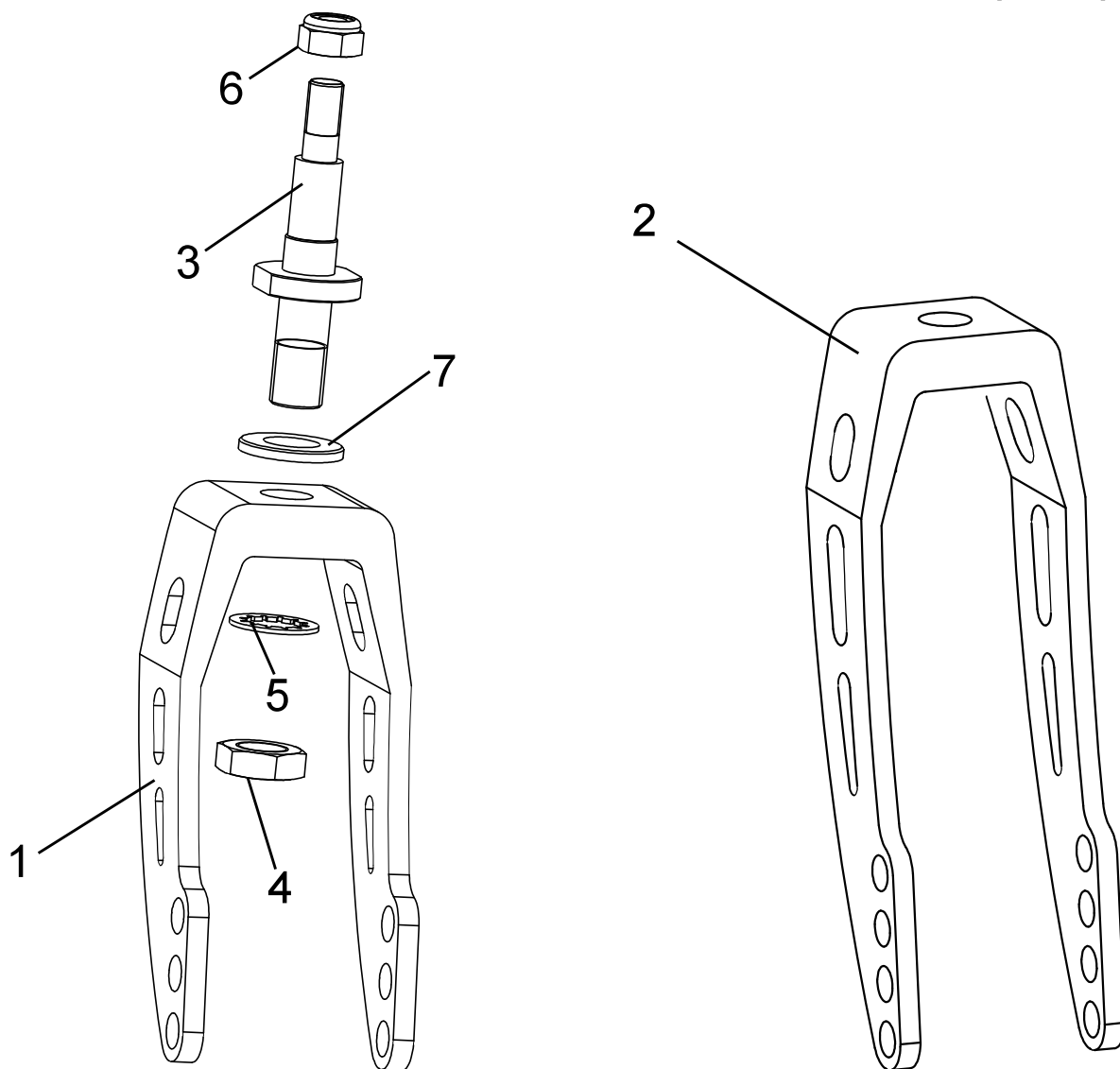
Item	Article number	Article description	Quantity	Unit
1-12	3240-1740E	Brake lock lever, left	1	pc.
	3240-1750E	Brake lock lever, right	1	pc.
1	3240-1742-002	Brake lock lever, silver	1	pc.
2	3251-1744	Rubber grip for brake lock lever	1	pc.
3	3240-1743	Lever bearing	1	pc.
4	1113-0048	Washer PA natural 16,5x32x1	2	pc.
5	3240-1745	Cable support	1	pc.
6	3240-1747	Cable roll	1	pc.
7	1021-0512	Cylinder head screw zp DIN 912, M5x12	1	pc.
8	1051-0005	Washer A5,3 zp DIN/ISO 125 A5,3	2	pc.
9	3251-1741	Base plate brake lock lever, left	1	pc.
	3251-1751	Base plate brake lock lever, right	1	pc.
10	1063-0412	Blind rivet St/St DIN/ISO 7337 S4x12	2	pc.
11	1024-0516	Hexagon socket countersunk head screw zp DIN/ISO 7991 M5x16	1	pc.
12	1042-0005	Hexagon nut self-locking zp DIN/ISO 985 M5	1	pc.

Spare parts



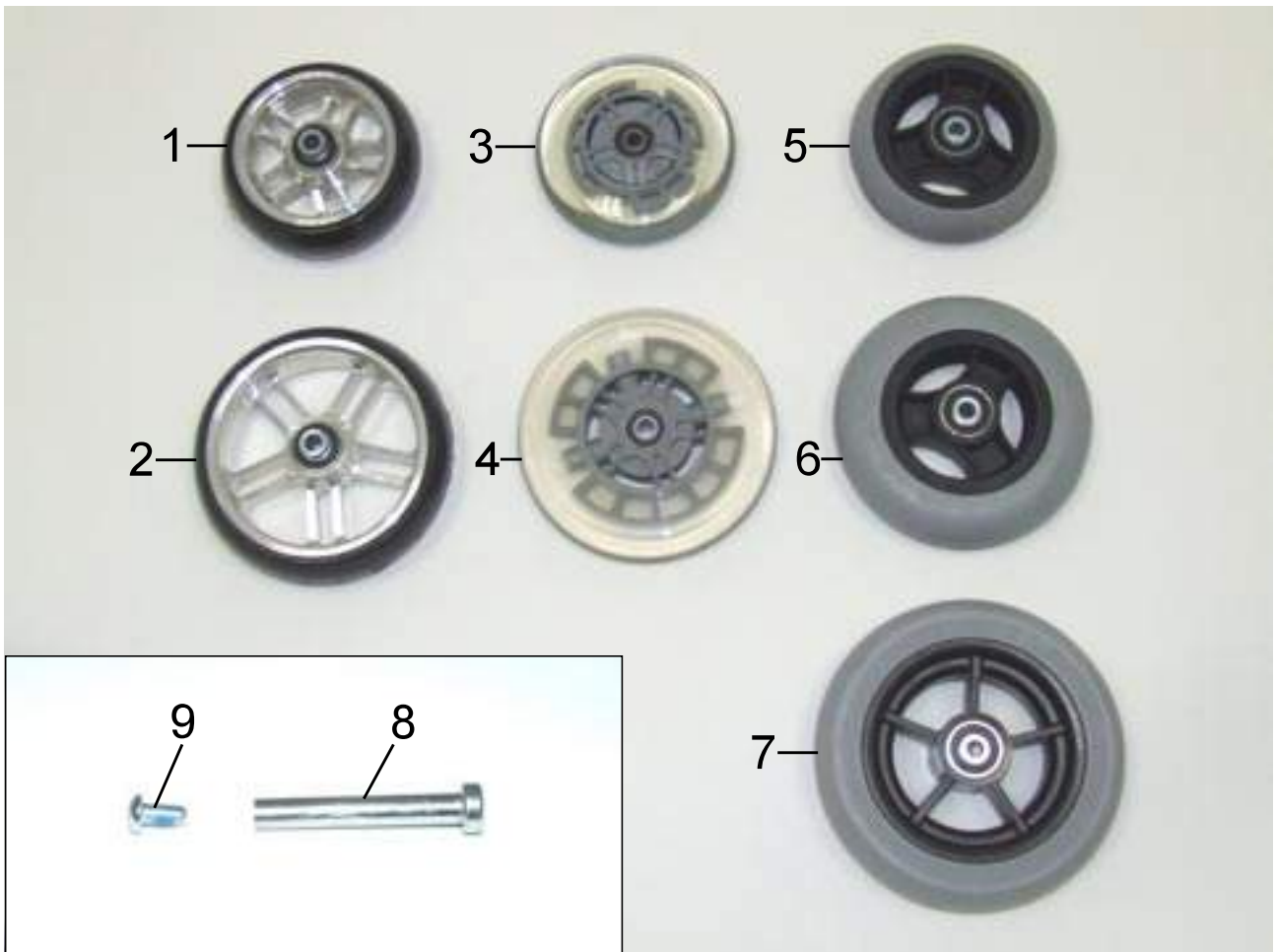
Item	Article number	Article description	Quantity	Unit
1-8	3240-1710E	Brake, left	1	pc.
	3240-1720E	Brake, right	1	pc.
1	3240-1711-006	Brake lever bracket, anodised	1	pc.
2	3240-1712-006	Brake lock lever, anodised	1	pc.
3	1114-0055	Bushing 8x0,8x8,7	2	pc.
4	3240-1761	Retaining spring, left	1	pc.
	3240-1762	Retaining spring, right	1	pc.
5	1099-0014	Ball end cable holder 9/8x15,5 mm hole-4mm	1	pc.
6	1029-0630	Button head socket screw zp DIN/ISO 7380 M6x30	1	pc.
7	1042-0006	Hexagon nut self-locking zp DIN/ISO 985 M6	1	pc.
8	1113-0003	Washer PA 18x8,4x1 black	3	pc.

Spare parts



Item	Article number	Article description	Quantity	Unit
1	1281-0010	Wheel fork aluminum, short, CLASSIC 150	2	pc.
2	1281-0011	Wheel fork aluminum CLASSIC 200	2	pc.
3	1205-0007	Wheel fork axle	2	pc.
4	1043-0012	Hexagon nut zp DIN/ISO 4035 M12	2	pc.
5	1052-0012	Spring washer B12 zp DIN/ISO 137 B12	2	pc.
6	1042-0008	Hexagon nut self-locking zp DIN/ISO 985 M8	2	pc.
7	1051-0012	Washer A13 zp DIN/ISO 125 A 13	2	pc.

Spare parts



Item	Article number	Article description	Quantity	Unit
1	1221-0001	PU-front castor with design aluminium rim 100x32	2	pc.
2	1221-0002	PU-front castor with design aluminium rim 125x32	2	pc.
3	1249-0005	Skater wheel with illuminating diode 100x24	2	pc.
4	1249-0006	Skater wheel with illuminating diode 125x24	2	pc.
5	1250-0002	Front castor with solid rubber tires 100x32	2	pc.
6	1250-0003	Front castor with solid rubber tires 125x32	2	pc.
7	1250-1440	Front castor with solid rubber tires 140x40	2	pc.
8	1205-0009	Wheel axle L54	2	pc.
9	1029-6001	Button head socket screw, zp, Tufflock M6x12	2	pc.



Item	Article number	Article description	Quantity	Unit
1	1211-0007	Pneumatic wheel 20"x1 HOGGI light w/o push rims	2	pc.
	1211-0008	Pneumatic wheel 22"x1 HOGGI light w/o push rims	2	pc.
	1211-0009	Pneumatic wheel 24"x1 HOGGI light w/o push rims	2	pc.
	1221-0009	Rear wheels with PU-tires 20"x1 3/8 HOGGI light w/o push rims	2	pc.
	1221-0010	Rear wheels with PU-tires 22"x1 HOGGI light w/o push rims	2	pc.
	1221-0011	Rear wheels with PU-tires 24"x1 HOGGI light w/o push rims	2	pc.
	2	1205-0010	Adapter with nut M16x1 for quick-release-axle 12/45 mm	2
3	1205-0014	Quick-release-axle 12x98 mm	2	pc.
no fig.	1201-0003	Tube for wheel 20x1	2	pc.
	1201-0004	Tube for wheel 22x1	2	pc.
	1201-0005	Tube for wheel 24x1	2	pc.
no fig.	1201-0006	Rim band 20"	2	pc.
	1201-0007	Rim band 22"	2	pc.
	1201-0008	Rim band 24"	2	pc.
no fig.	1200-0003	Tire for wheel 20x1" grey (Schwalbe Puncture Protection)	2	pc.
	1200-0006	Tire for wheel 22x1" RightRun HS387 Light	2	pc.
	1200-0007	Tire for wheel 24x1" RightRun HS387 Light	2	pc.
no fig.	1203-0005	PU-tire 20x1 3/8" grey	2	pc.
	1203-0006	PU-tire 22x1" grey	2	pc.
	1203-0007	PU-tire 24x1" grey	2	pc.

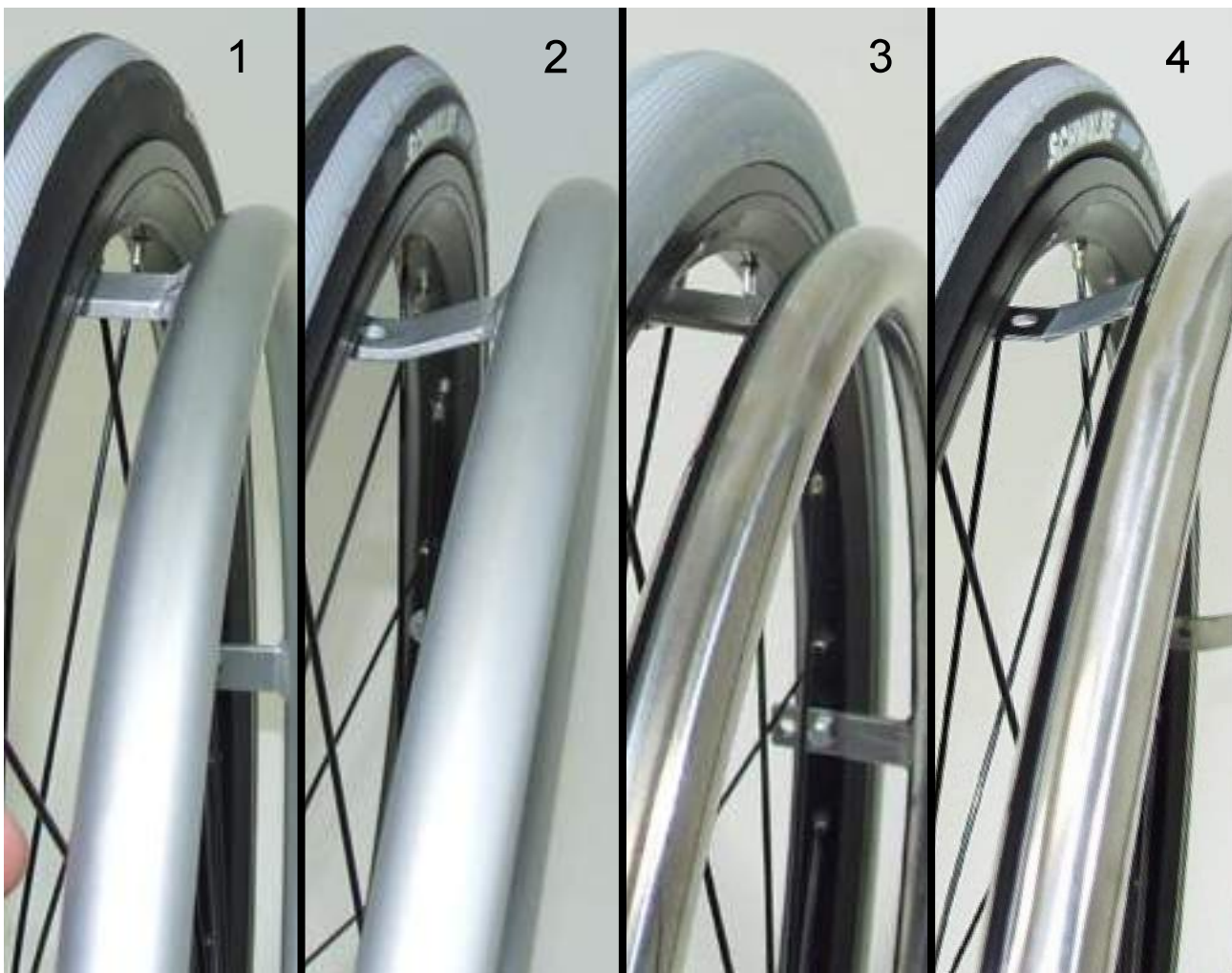
(Hand rims see page 27)

Spare parts



Item	Article number	Article description	Quantity	Unit
1	1219-0013	Rear wheel 20"x1 „HOGGI light“ with drum brake, left, without hand rim	1	pc.
	1219-0014	Rear wheel 20"x1 „HOGGI light“ with drum brake, right, without hand rim	1	pc.
	1219-0015	Rear wheel 22"x1 „HOGGI light“ with drum brake, left, without hand rim	1	pc.
	1219-0016	Rear wheel 22"x1 „HOGGI light“ with drum brake, right, without hand rim	1	pc.
	1219-0017	Rear wheel 24"x1 „HOGGI light“ with drum brake, left, without hand rim	1	pc.
	1219-0018	Rear wheel 24"x1 „HOGGI light“ with drum brake, right, without hand rim	1	pc.
	1221-0003	Rear wheel with PU-tires 20"x1 3/8 „HOGGI light“, drum brake, left, w/o hand rim	1	pc.
	1221-0004	Rear wheel with PU-tires 20"x1 3/8 „HOGGI light“ with drum brake, right, without hand rim	1	pc.
	1221-0005	Rear wheel with PU-tires 22"x1 „HOGGI light“ with drum brake, left, without hand rim	1	pc.
	1221-0006	Rear wheel with PU-tires 22"x1 „HOGGI light“ with drumbrake, right, without hand rim	1	pc.
1221-0007	Rear wheel with PU-tires 24"x1 „HOGGI light“ with drum brake, left, without hand rim	1	pc.	
1221-0008	Rear wheel with PU-tires 24"x1 „HOGGI light“ with drumbrake, right, without hand rim	1	pc.	
2	1052-0016	Spring washer, B16 zp DIN/ISO 137	2	pc.
3	1209-0001	Bowden wire set 1,5 m	2	pc.
4	1209-0008	Brake lever 80°	2	pc.
	1209-0026	Brake lever 36° (for single push handle only)	2	pc.
5	1205-0015	Spacer bushing 25x16.2x15 (camber 6°)	2	pc.
	1205-0016	Spacer bushing 25x16.2x20 (camber 9°)	2	pc.
6	1205-0017	Brake drum support lever	2	pc.
7	1030-0512	Button head socket screw with flange zp, M5x12	2	pc.
8	1021-0520	Hexagon socket head cap screw, M5x20	2	pc.
9	1055-0005	Washer A5,3 zp DIN/ISO 9021 A5,3	4	pc.
10	1042-0005	Hexagon nut self-locking zp DIN/ISO 985 M5	2	pc.
11	1209-0001	Cable connector, black	2	pc.

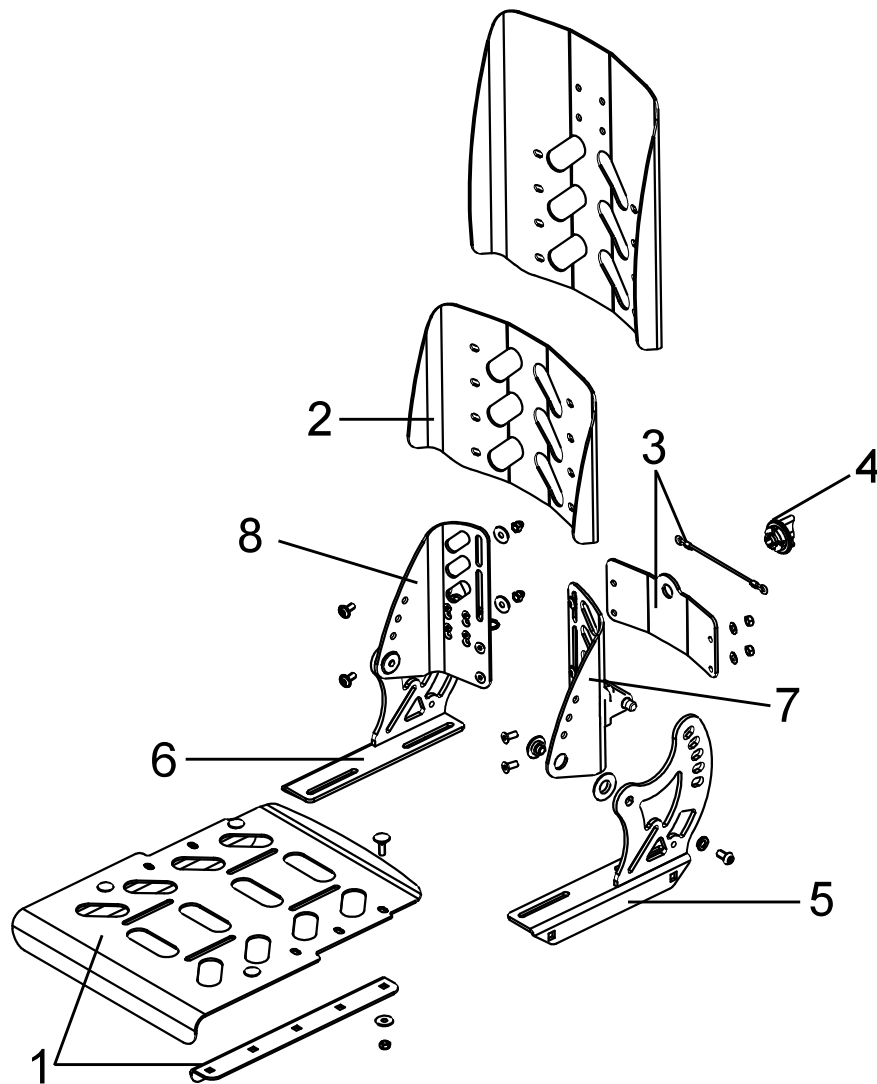
Spare parts



Item	Article number	Article description	Quantity	Unit
1	1204-0006	Aluminum hand rim 20", anodised - „standard“	2	pc.
	1204-0007	Aluminum hand rim 22", anodised - „standard“	2	pc.
	1204-0008	Aluminum hand rim 24", anodised - „standard“	2	pc.
2	1204-0019	Aluminum hand rim 20", anodised - „large diameter“	2	pc.
	1204-0020	Aluminum hand rim 22", anodised - „large diameter“	2	pc.
	1204-0021	Aluminum hand rim 24", anodised - „large diameter“	2	pc.
3	1204-0009	Stainless steel hand rim 20" - „standard“	2	pc.
	1204-0010	Stainless steel hand rim 22" - „standard“	2	pc.
	1204-0011	Stainless steel hand rim 24" - „standard“	2	pc.
4	1204-0022	Stainless steel hand rim 20" - „high“	2	pc.
	1204-0023	Stainless steel hand rim 22" - „high“	2	pc.
	1204-0024	Stainless steel hand rim 24" - „high“	2	pc.

(Hand rims 20" and 22" with 4 straps, Hand rims 24" with 6 straps)

Spare parts

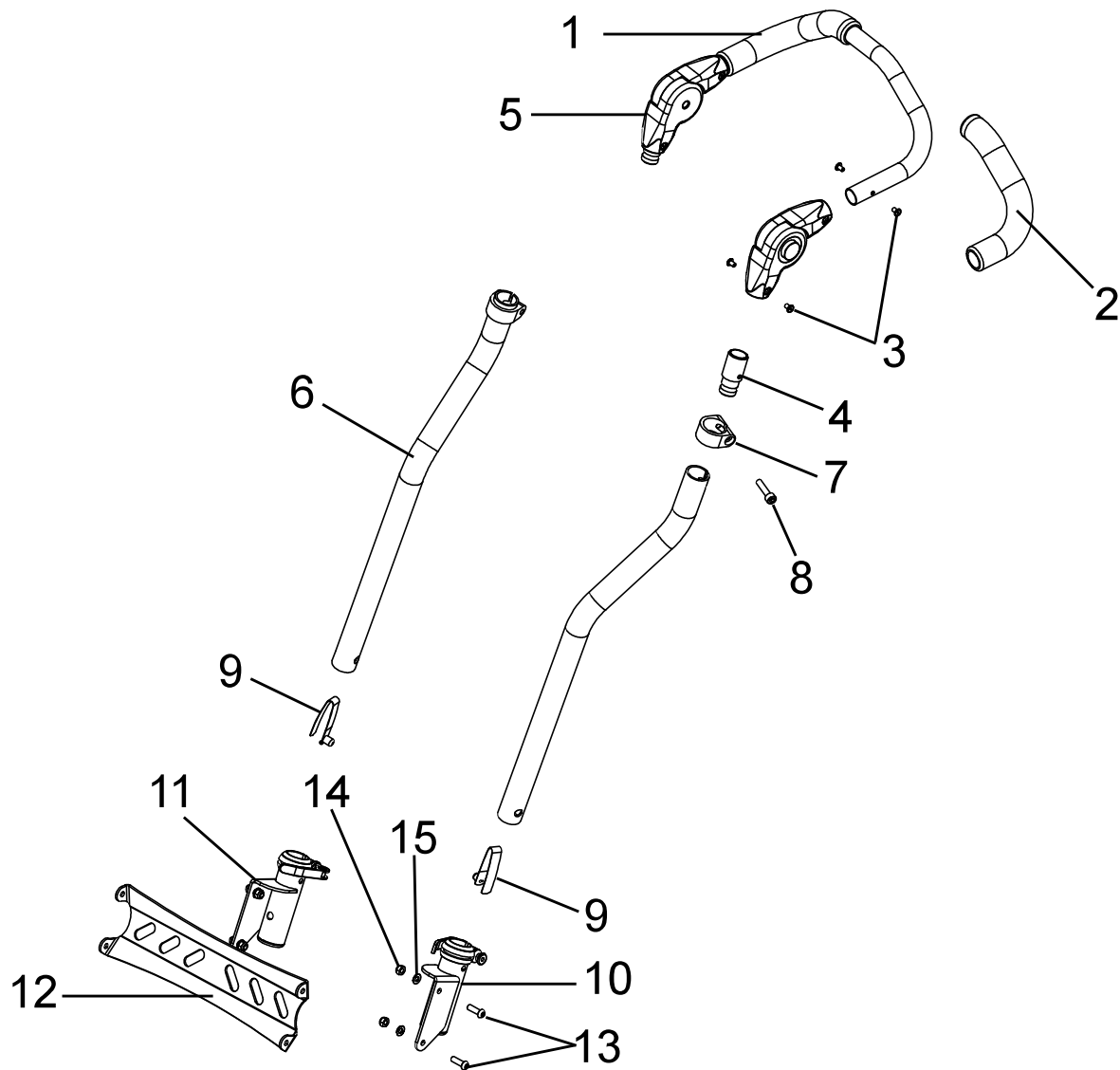


Item	Article number	Article description	Quantity	Unit
1-8	3240-20SW	Seat	1	pc.
1	3240-23SWE	Seat panel, short with bracket and fasteners	1	set
	3240-33SWE	Seat panel, long with bracket and fasteners	1	set
2	3240-26SWE	Back panel short with fasteners	1	set
	3240-27SWE	Back panel long with fasteners	1	set
3	3240-25SWE	Cross plate with fasteners and wire-rope for recline	1	set
4	3240-2441	Turning knob	1	pc.
5	3240-2110E	Seat base, left (SW 18-26) with fasteners	1	set
	3240-2130E	Seat base, left (SW 28-34) with fasteners	1	set
6	3240-2120E	Seat base, right (SW 18-26) with fasteners	1	set
	3240-2140E	Seat base, right (SW 28-34) with fasteners	1	set
7	3240-2410E	Back base, left (SW 18-26) with fasteners	1	set
	3240-2430E	Back base, left (SW 28-34) with fasteners	1	set
8	3240-2420E	Back base, right (SW 18-26) with fasteners	1	set
	3240-2440E	Back base, right (SW 28-34) with fasteners	1	set

SW = Please complete the article number with the SW.

Seat width (SW)	18	20	22	24	26	28	30	32	34
Seat depth short	19 - 23	19 - 25	21 - 28	23 - 30	25 - 32	27 - 35	29 - 37	31 - 39	33 - 41
Seat depth long	21 - 26	21 - 28	24 - 31	26 - 33	29 - 36	32 - 40	34 - 42	36 - 44	38 - 46
Back height short	21 - 27	21 - 27	21 - 27	21 - 27	21 - 27	26 - 33	26 - 33	26 - 33	26 - 33
Back height long	25 - 31	27 - 33	29 - 35	31 - 37	33 - 39	35 - 41	37 - 43	39 - 45	41 - 47

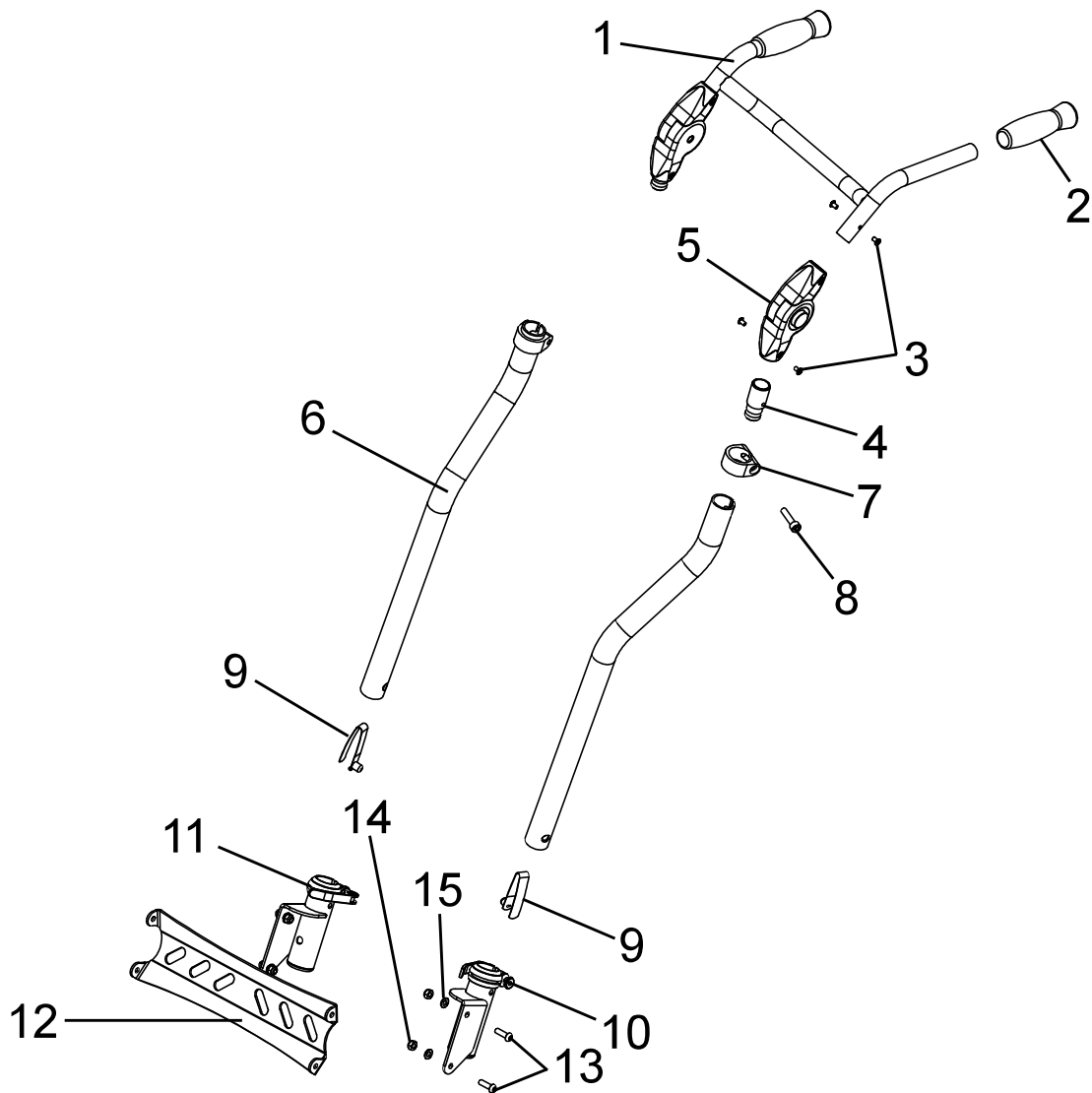
Spare parts for accessories



Item	Article number	Article description	Quantity	Unit
1-15	3240-54SB	Push bar	1	Set
1-5	3240-5550E	Push bar upper part size 1 (SW 18-26), complete	1	pc.
	3240-5560E	Push bar upper part size 2 (SW 28-34), complete	1	pc.
1	3240-5552-002	Push bar upper part size 1 (SW 18-26)	1	pc.
	3240-5562-002	Push bar upper part size 2 (SW 28-34)	1	pc.
2	1143-0001	Handle grip EVA black d30 x 260	2	pc.
3	1062-0508	Blind rivet St/St DIN/ISO 7337 F5x8	8	pc.
4	3240-5554	Coupling binder	2	pc.
5	1129-0009	Ratchet joint 25x22	1	pair
6-9	3240-5510E	Push bar bottom part, complete	2	pc.
6	3240-5551-006	Push bar bottom part, anodised	2	pc.
7	3240-5553-006	Clamping ring, anodised	2	pc.
8	1021-0625	Hexagon socket head cap screw zp DIN/ISO 912 M6x25	2	pc.
9	1134-0006	Snap button B 141 7,7x9,4	2	pc.
10	3240-5150E	Handle bracket left, complete	1	pc.
11	3240-5170E	Handle bracket right, complete	1	pc.
12	3240-56SB-002	Slide valve cross bar, silver	1	pc.
13	1029-0620	Button head socket screw zp DIN/ISO 7380 M6x20	4	pc.
14	1042-0006	Hexagon nut self-locking zp DIN/ISO 985 M6	4	pc.
15	1051-0006	Washer A6,4 zp DIN/ISO 125 A6,4	4	pc.

SW = Please complete the article number with the SW.

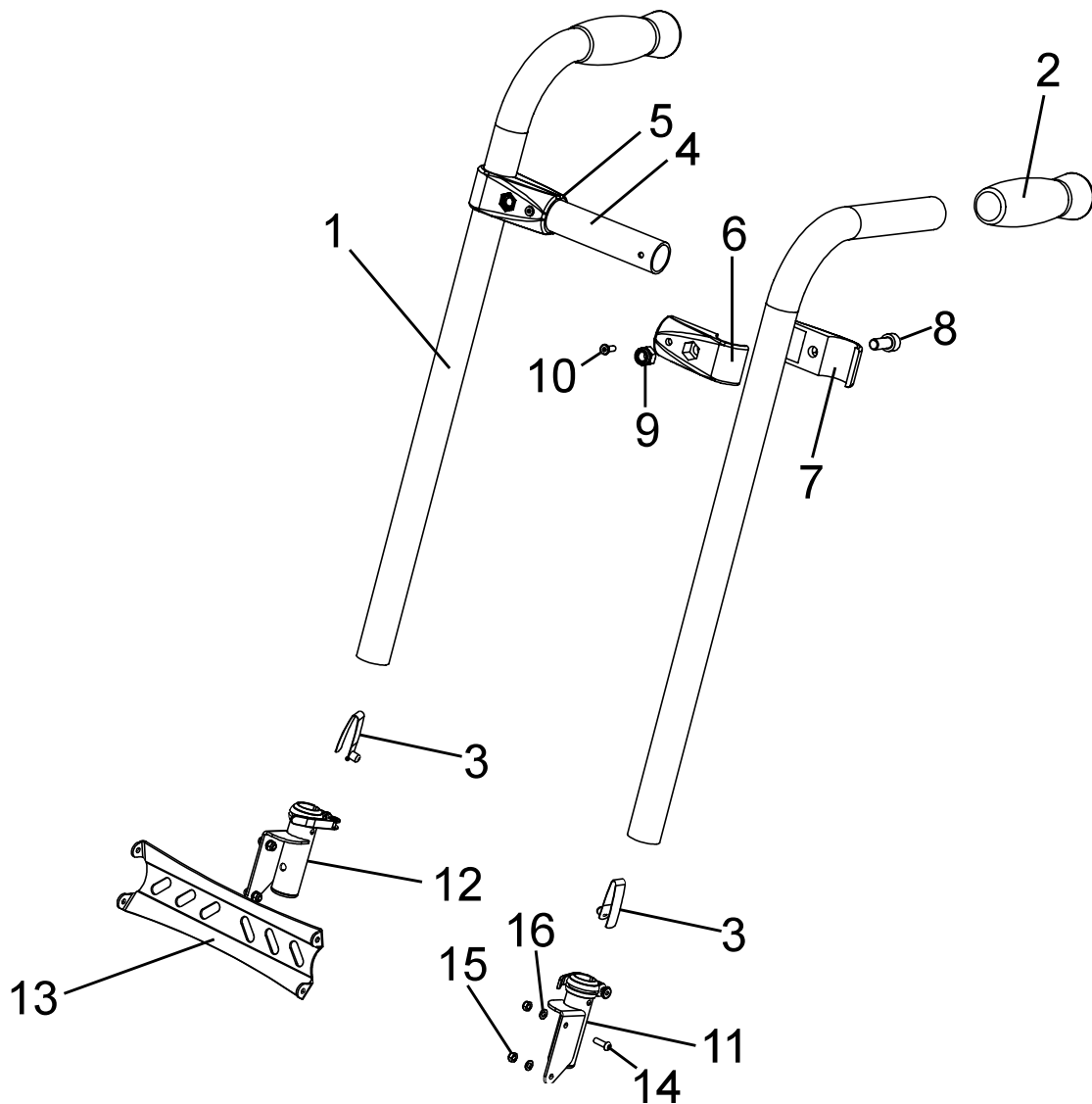
Spare parts for accessories



Item	Article number	Article description	Quantity	Unit
1-15	3240-51SW	Push handle unit	1	set
1-5	3240-5250E	Push handle upper part size 1 (SW 18-26) complete	1	pc.
	3240-5260E	Push handle upper part size 2 (SW 28-34) complete	1	pc.
1	3240-5251-002	Push handle upper part size 1 (SW 18-26)	1	pc.
	3240-5261-002	Push handle upper part size 2 (SW 28-34)	1	pc.
2	1143-0004	Handle grip TPE black d22 x 120	2	pc.
3	1062-0508	Blind rivet St/St DIN/ISO 7337 F5x8	8	pc.
4	3240-5554	Coupling binder	2	pc.
5	1129-0009	Ratchet joint 25x22	1	pair
6-9	3240-5510E	Push bar bottom part complete	2	pc.
6	3240-5551-006	Push bar bottom part, anodised	2	pc.
7	3240-5553-006	Clamping ring, anodised	2	pc.
8	1021-0625	Hexagon socket head cap screw zp DIN/ISO 912 M6x25	2	pc.
9	1134-0006	Snap button B 141 7,7x9,4	2	pc.
10	3240-5150E	Handle bracket left, complete	1	pc.
11	3240-5170E	Handle bracket right, complete	1	pc.
12	3240-56SW-002	Slide valve cross bar, silver	1	pc.
13	1029-0620	Button head socket screw zp DIN/ISO 7380 M6x20	4	pc.
14	1042-0006	Hexagon nut self-locking zp DIN/ISO 985 M6	4	pc.
15	1051-0006	Washer A6,4 zp DIN/ISO 125 A6,4	4	pc.

SW = Please complete the article number with the SW.

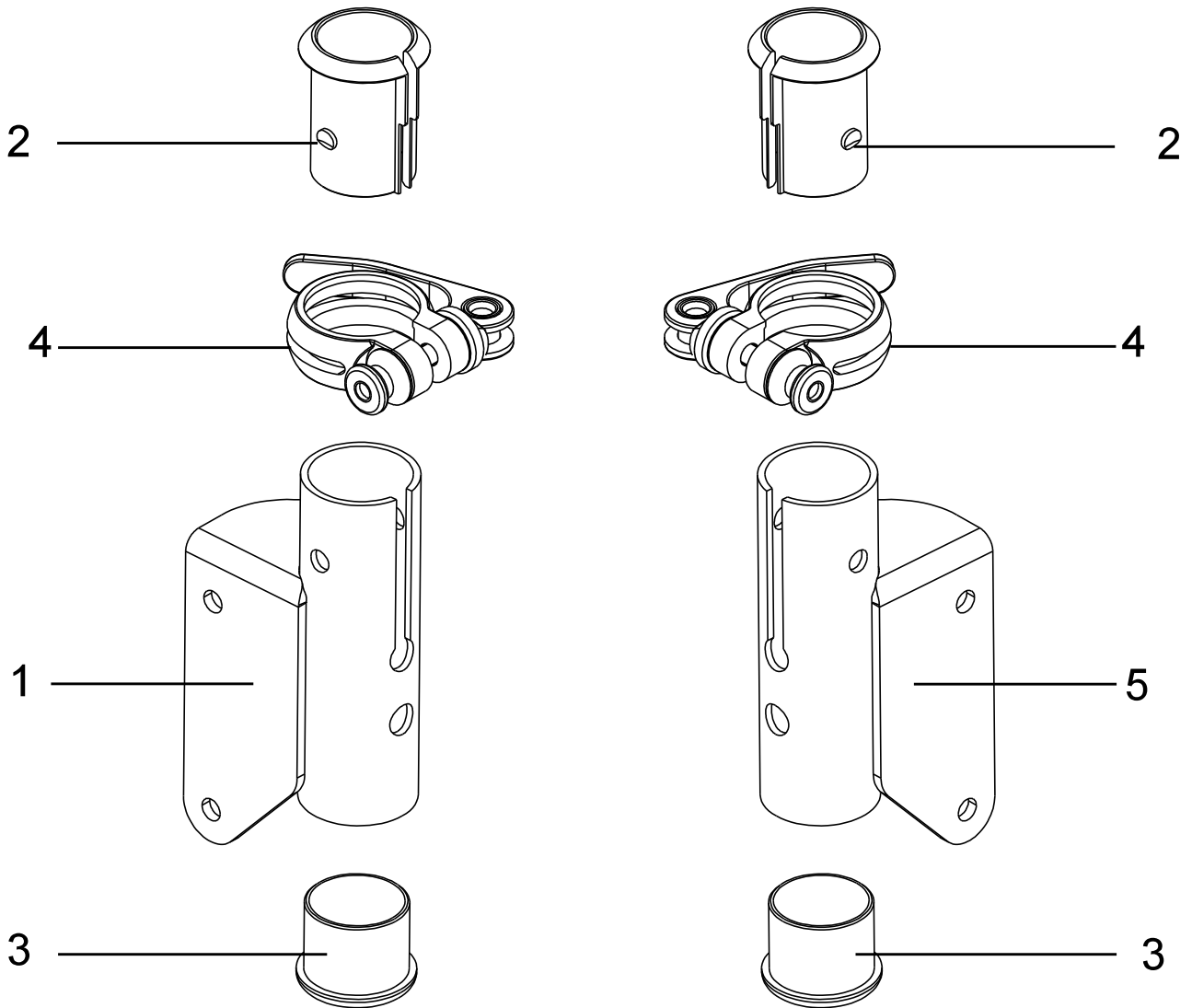
Spare parts for accessories



Item	Article number	Article description	Quantity	Unit
1-15	3240-49SW	Single push handle, pair, (SW 24-34 only)	1	Set
1-3	3240-5310E	Push handle long	2	pc.
1	3240-5311-006	Bent tube push handle long, anodised	2	pc.
2	1143-0005	Handle grip TPE black d25 x 120	2	pc.
3	1134-0006	Snap button B 141 7,7x9,4	2	pc.
4-10	3240-48SWE	Cross-tube	1	pc.
4	3240-48SW-002	Cross-tube, silver	1	pc.
5	3245-5711	Reducing bush	2	pc.
6	1145-0001-001	Tube connector T-90° 25/25 with bore 4,2, black	2	pc.
7	1145-0002-001	Tube connector T-90° 25/25 4,2, black	2	pc.
8	1021-0820	Hexagon socket head cap screw zp DIN/ISO 912 M8x20	2	pc.
9	1042-0008	Hexagon nut self-locking zp DIN/ISO 985 M8	2	pc.
10	1062-0412	Blind rivet St/St DIN/ISO 7337 F4x12	2	pc.
11	3240-5150E	Handle bracket left, complete	1	pc.
12	3240-5170E	Handle bracket right, complete	1	pc.
13	3240-56SW-002	Slide valve cross bar, silver	1	pc.
14	1029-0620	Button head socket screw zp DIN/ISO 7380 M6x20	4	pc.
15	1042-0006	Hexagon nut self-locking zp DIN/ISO 985 M6	4	pc.
16	1051-0006	Washer A6,4 zp DIN/ISO 125 A6,4	4	pc.

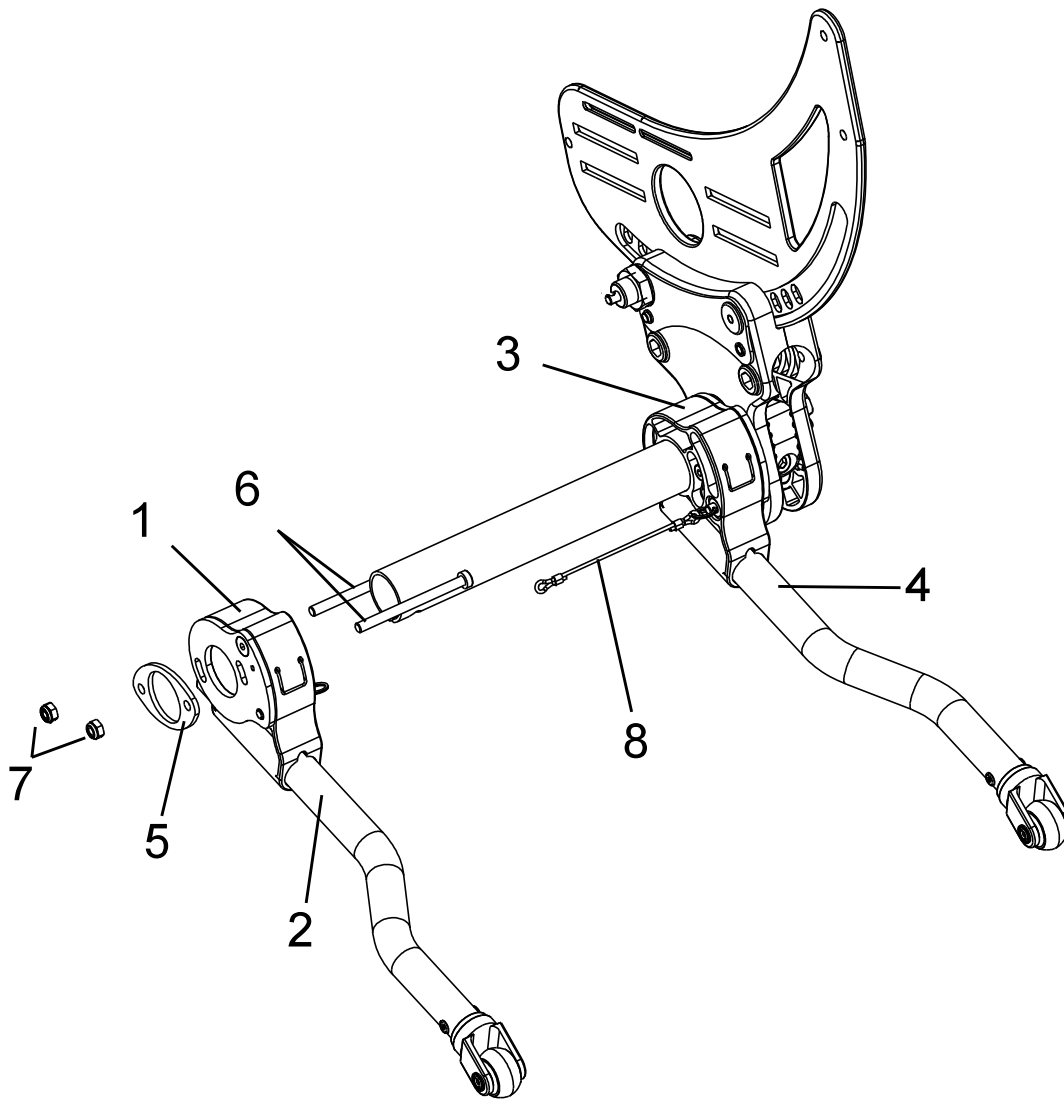
SW=Please complete the article number with the SW.

Spare parts for accessories



Item	Article number	Article description	Quantity	Unit
1-4	3240-5150E	Handle bracket left, complete	1	pc.
2-5	3240-5170E	Handle bracket right, complete	1	pc.
1	3240-5160	Handle bracket, left	1	pc.
2	3301-1240	Clamp bushing	1	pc.
3	3301-1530	Flange bushing	1	pc.
4	1129-0007	Saddle clamp with quick-release D 31,8 left	1	pc.
5	3240-5170	Handle bracket right	1	pc.

Spare parts for accessories



Item	Article number	Article description	Quantity	Unit
1-2, 5-8	3240-1801	SBO anti tip, left	1	pc.
3-4, 5-8	3240-1802	SBO anti tip, right	1	pc.
1	3240-1813E	Anti tip bracket, left, complete	1	pc.
2	3240-1861	SBO anti tip tube, left, complete	1	pc.
3	3240-1814E	Anti tip bracket, right complete	1	pc.
4	3240-1862	SBO anti tip tube, right, complete	1	pc.
5	3240-1153*	Distance plate*	1	pc.
6	1021-0675	Hexagon socket head cap screw zp DIN/ISO 912 M6x75	2	pc.
	1021-0680**	Hexagon socket head cap screw zp DIN/ISO 912 M6x80	2	pc.
7	1042-0006	Hexagon nut self-locking zp DIN/ISO 985 M6	2	pc.
8	1129-00SW***	Wire-rope for recline and twin anti tips	1	pc.
	1129-00SW****	Wire-rope for recline and twin anti tips	1	pc.

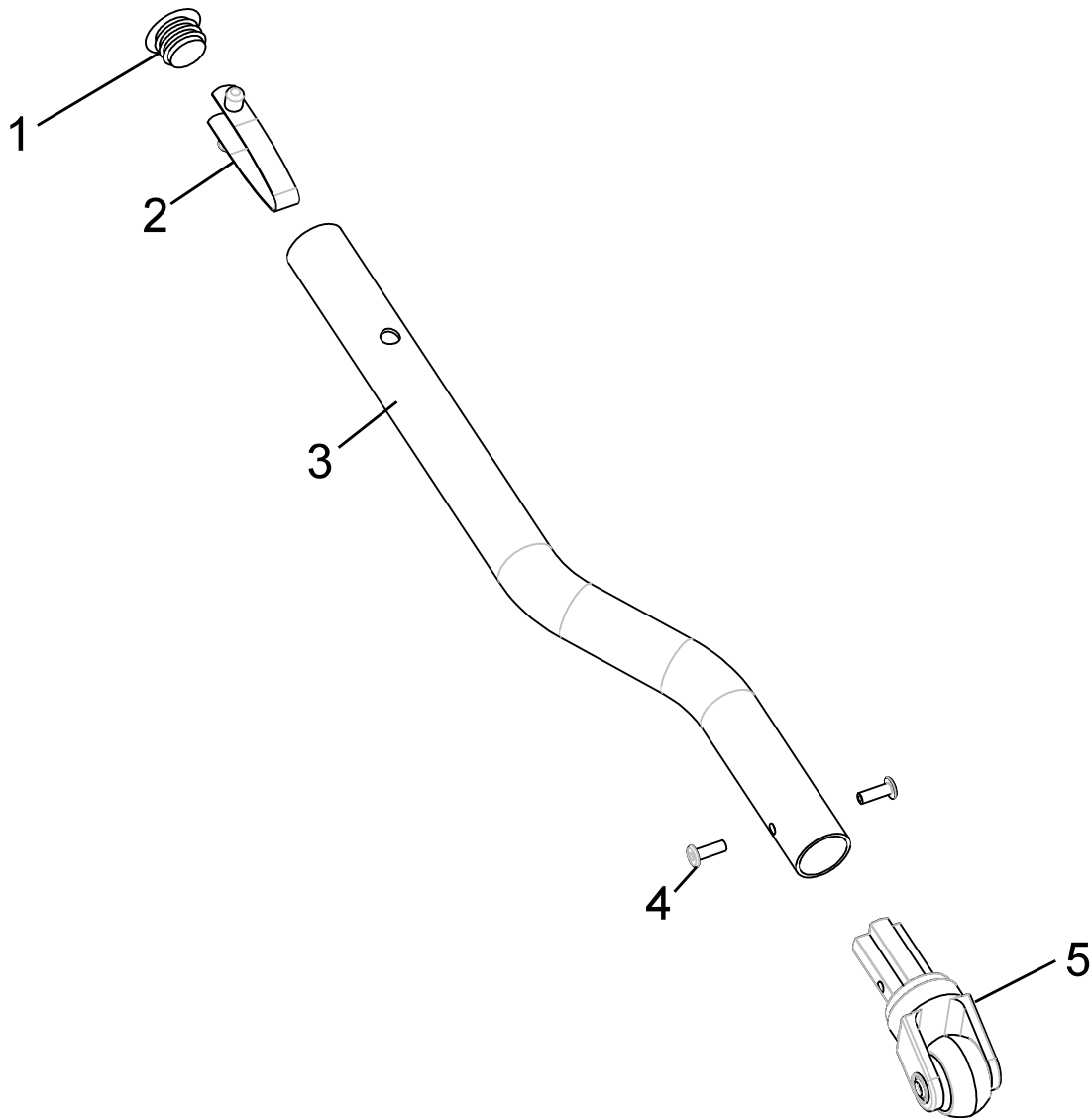
*only STi and VTi-models when mounted in the two upper positions of the adapter plate

** for distance plate use only

*** Please complete the article number with the original SW.

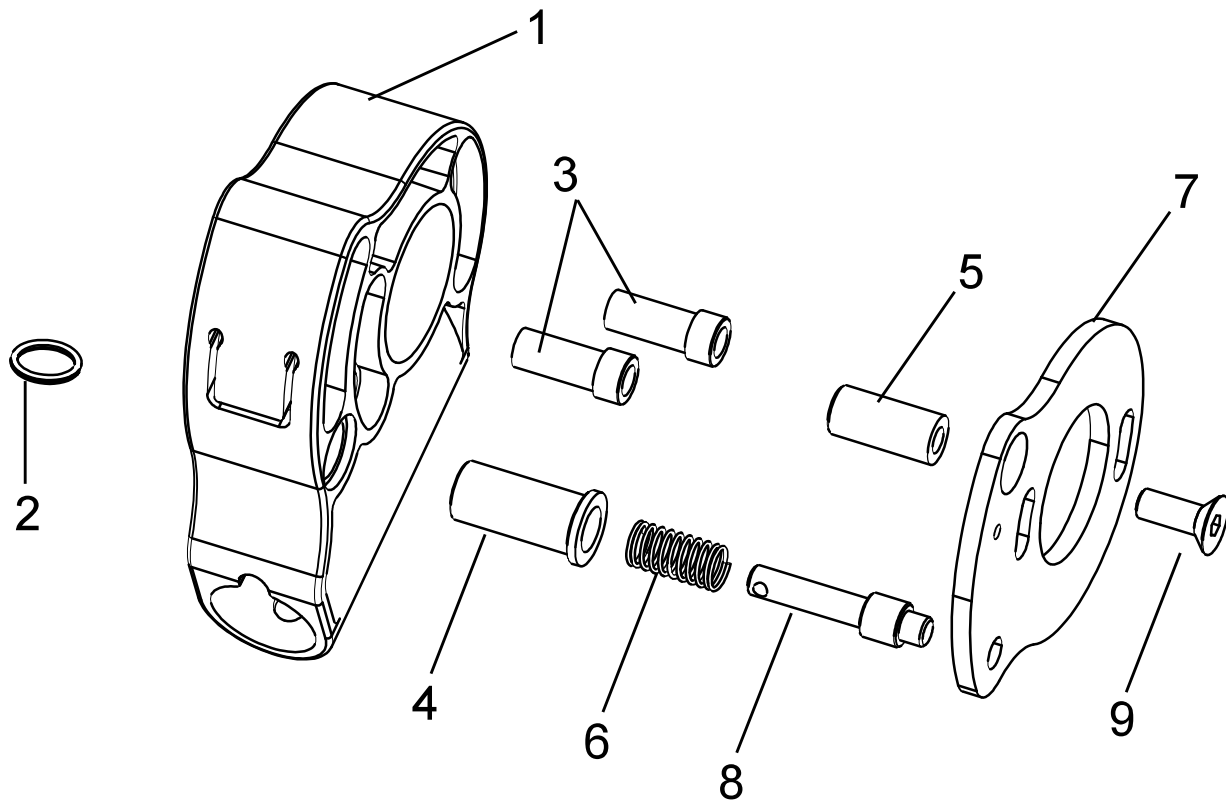
**** Please complete the article number with the original SW plus 1 cm. (e.g. SW26 + 1 = 27)

Spare parts for accessories



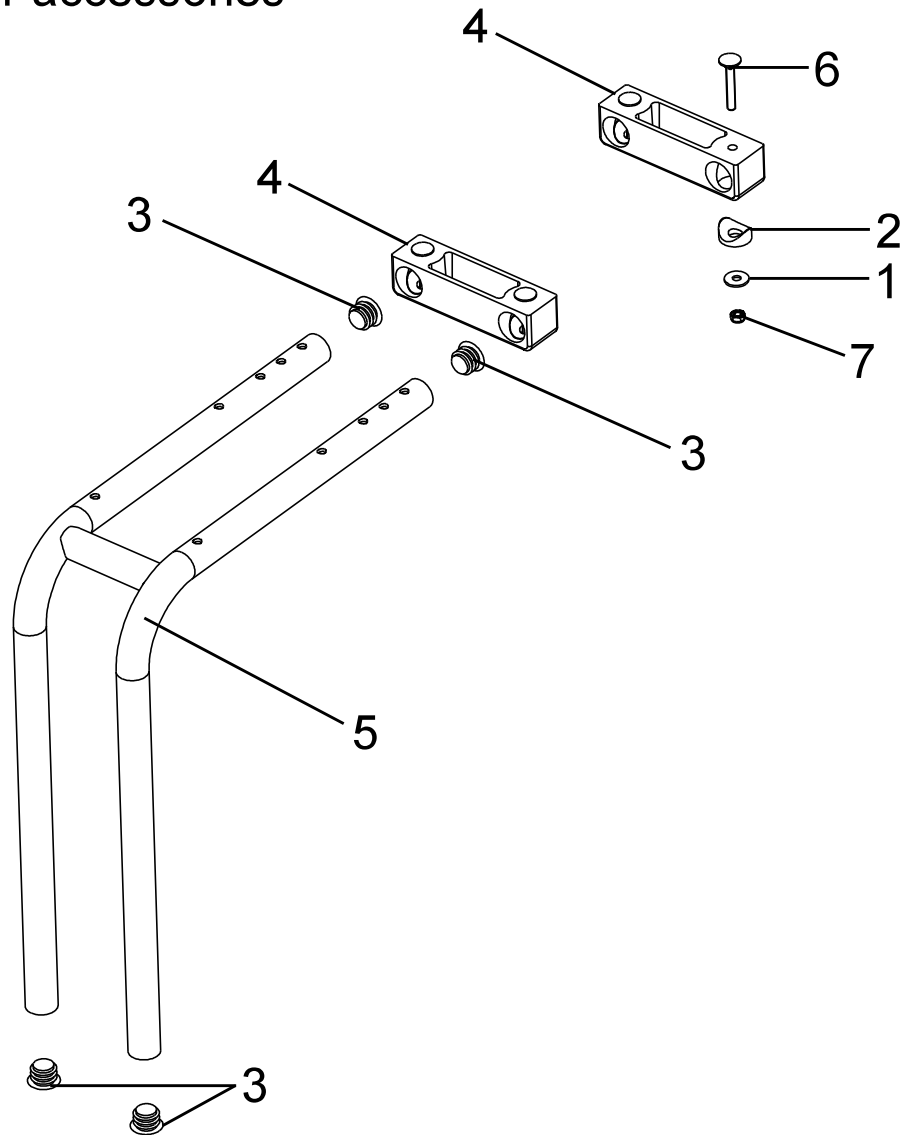
Item	Article number	Article description	Quantity	Unit
1-5	3240-1862	SBO anti tip tube, right complete	1	pc.
	3240-1861	SBO anti tip tube, left complete	1	pc.
1	1141-0008	Ribbed insert SFL 22x0,8-3,0	1	pc.
2	1134-0008	Snap button D-131	1	pc.
3	3240-1831-006	Anti tip tube, anodised	1	pc.
4	1062-0412	Blind rivet St/St DIN/ISO 7337 F4x12	2	pc.
5	1249-0007	Insertion fork and castor	1	pc.

Spare parts for accessories



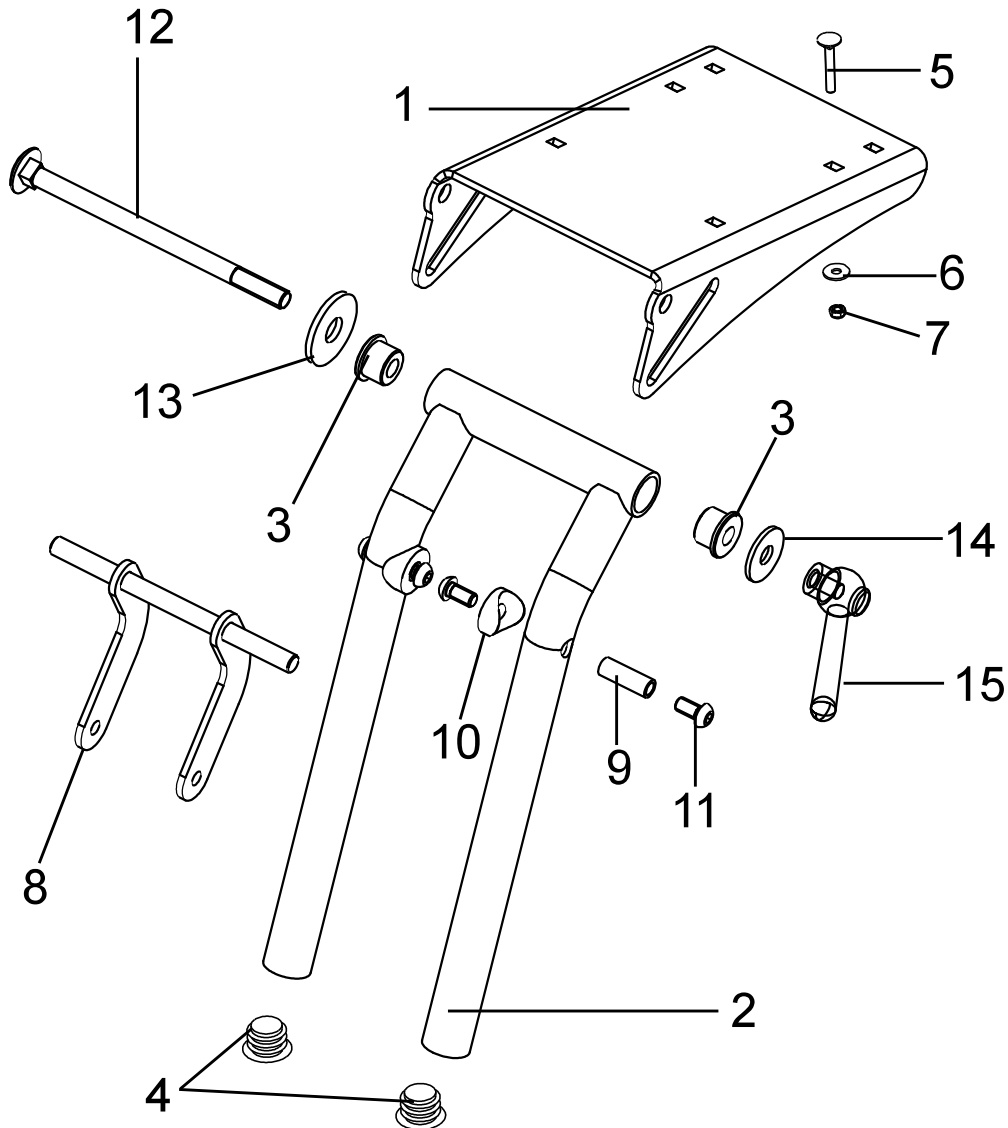
Item	Article number	Article description	Quantity	Unit
1-9	3240-1814E	Anti tip bracket, right, complete (as illustrated)	1	pc.
	3240-1813E	Anti tip bracket, left, complete (as illustrated)		
1	3240-1820	Anti tip holder	1	pc.
2	1129-0012	Key ring 14x1,3	1	pc.
3	3240-1850	Guarding bush	2	pc.
4	3201-7520	Spring housing	1	pc.
5	3240-1840	Resting axle	1	pc.
6	1131-0036	Compression spring D-127d 0,8x8,3x29	1	pc.
7	3240-1812	Guidance plate, right (illustrated)	1	pc.
	3240-1811	Guidance plate, left	1	pc.
8	3201-7530	Lock pin	1	pc.
9	1024-0616	Hexagon socket countersunk head screw zp DIN/ISO 7991 M6x16	1	pc.

Spare parts for accessories



Item	Article number	Article description	Quantity	Unit
1-7	3240-2802E	Foot rest hanger 90°, LLL 13-26 cm, SW 18-26	1	pc.
	3240-2806E	Foot rest hanger 90°, LLL 13-36 cm, SW 24-34	1	pc.
1	1055-0005	Washer A5,3 zp DIN/ISO 9021 A5,3	4	pc.
2	1111-0017	Saddle washer PA black D20xd5,3xH3	4	pc.
3	1141-0006	Ribbed insert SFL 20x0,8-2,5	4	pc.
4	3240-2810	Bond bridge	2	pc.
5	3240-2830-002	Footrest adapter, LLL 13-26 cm	1	pc.
	3240-2840-002	Footrest adapter, LLL 13-36 cm	1	pc.
6	1026-0535	Mushroom head square neck bolt zp DIN/ISO 603 M5x35	4	pc.
7	1042-0005	Hexagon nut self-locking zp DIN/ISO 985 M5	4	pc.

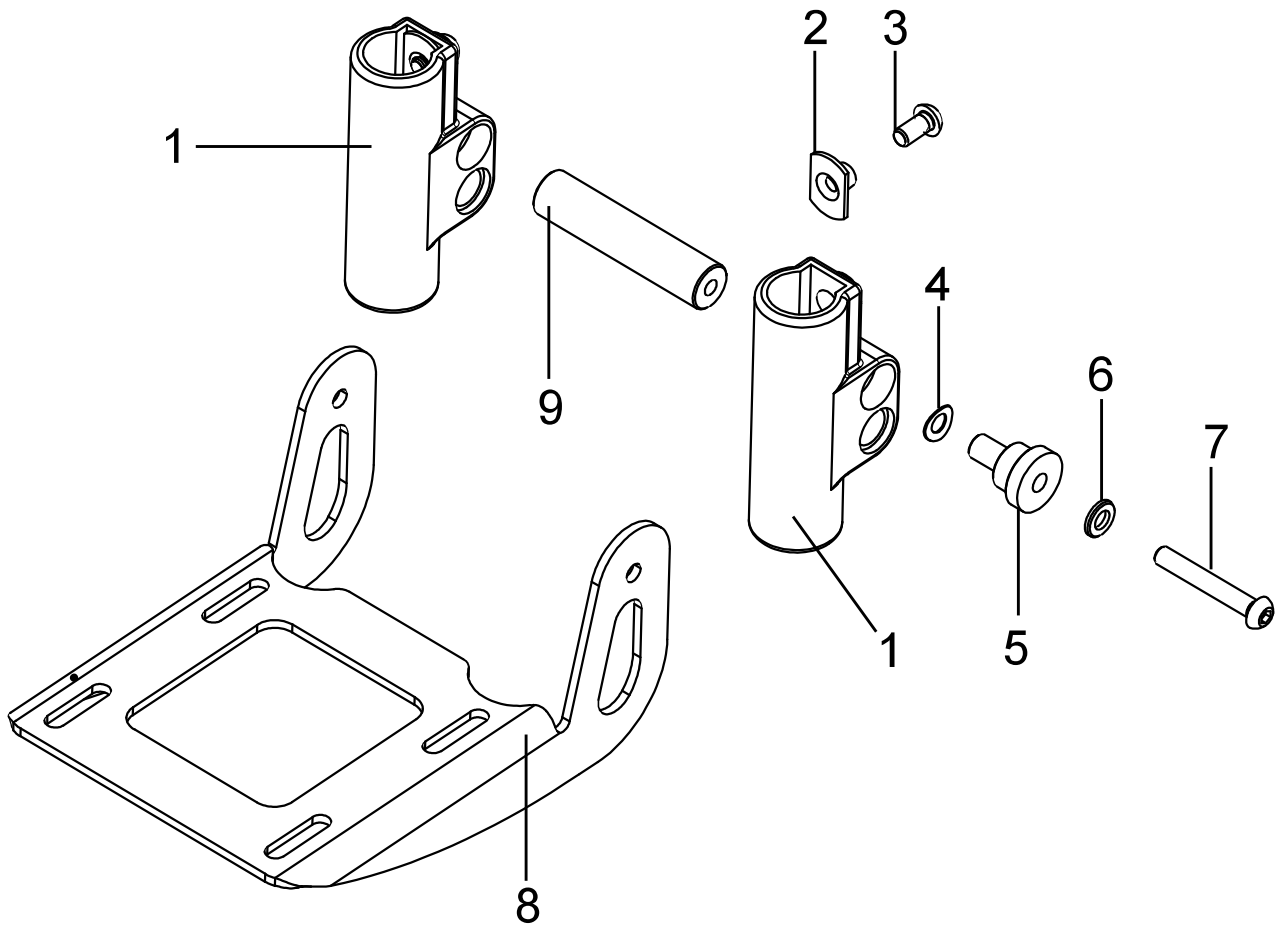
Spare parts for accessories



Item	Article number	Article description	Quantity	Unit
1-15	3240-2807E	Foot rest hanger angle adjustable 85-160°, LLL 16-26 cm, SW 20-26	1	pc.
	3240-2808E	Foot rest hanger angle adjustable 85-160°, LLL 16-36 cm, SW 20-26	1	pc.
	3240-2809E	Foot rest hanger angle adjustable 85-160°, LLL 16-36 cm, SW 28-34	1	pc.
1	3240-2851-006	Knee angle console size 1 anodised, SW 20-26 cm	1	pc.
	3240-2852-006	Knee angle console size 2 anodised, SW 28-34 cm	1	pc.
2	3240-2860-002	Footrest adapter, angle adjustable, LLL 16-26 cm	1	pc.
	3240-2870-002	Footrest adapter, angle adjustable, LLL 16-36 cm	1	pc.
3	3240-2864	Clamp bushing	2	pc.
4	1141-0006	Ribbed insert SFL 20x0,8-2,5	2	pc.
5	1026-0516	Mushroom head square neck bolt zp DIN/ISO 603 M5x16	4	pc.
6	1055-0005	Washer A5,3 zp DIN/ISO 9021 A5,3	4	pc.
7	1042-0005	Hexagon nut self-locking zp DIN/ISO 985 M5	4	pc.
8	3240-2880-008	Supporting cross-tie, verzinkt	1	pc.
9	1114-0052	Threaded bushing 8xM6x23	2	pc.
10	1111-0016	Saddle washer PA black 20x8,4x3	2	pc.
11	1029-6001	Button head socket screw, zp, Tufflock DIN/ISO 7380 M6x12	4	pc.
12	1026-0813	Mushroom head square neck bolt zp DIN/ISO 603 M8x130	1	pc.
13	1051-0010	Washer A10,5 zp DIN/ISO 125 A10,5	1	pc.
14	1051-0008	Washer A8,4 zp DIN/ISO 125 A8,4	1	pc.
15	1129-0013	Adjustable coniform lever M8	1	pc.

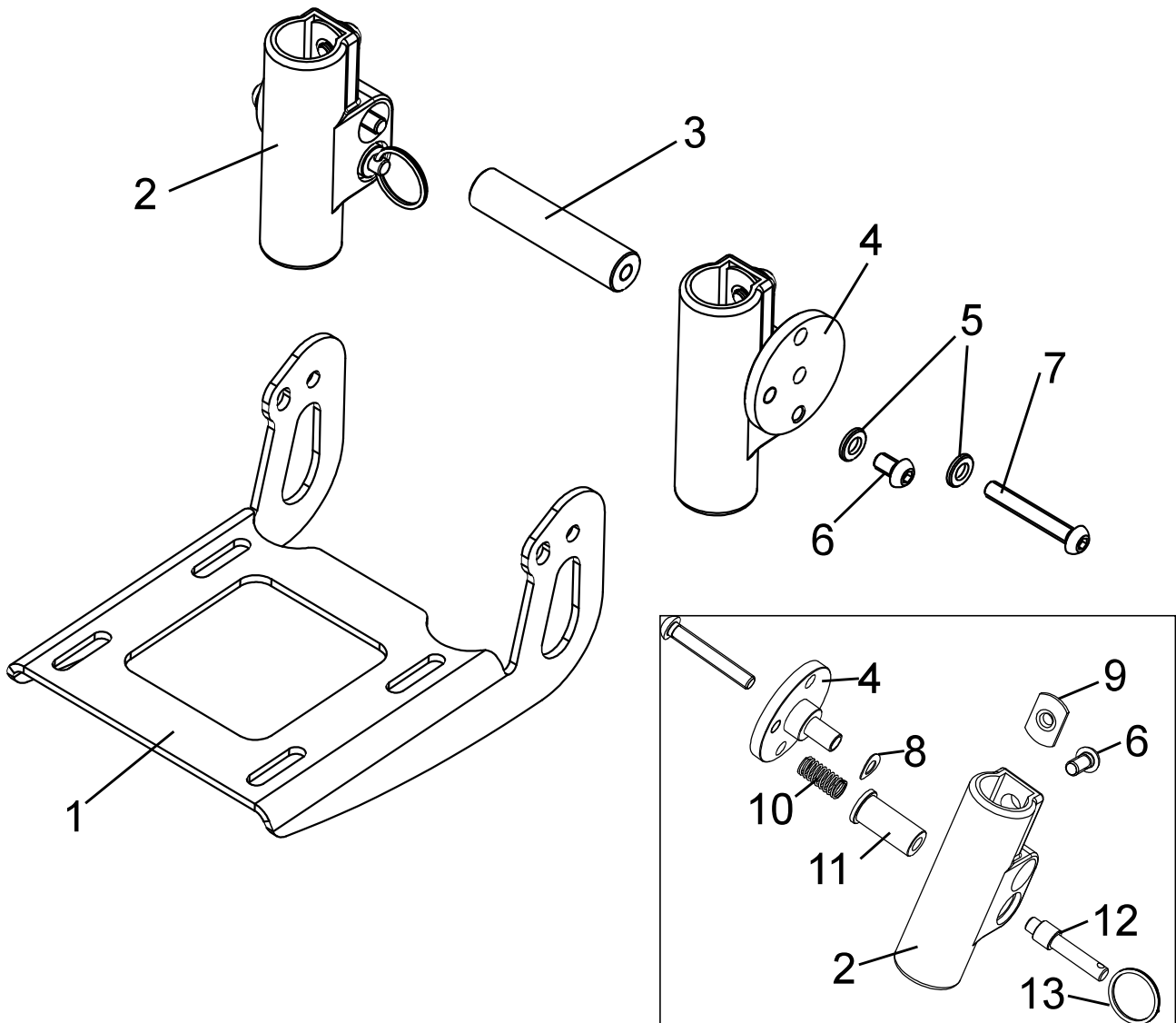
LLL = Lower Leg Length

Spare parts for accessories



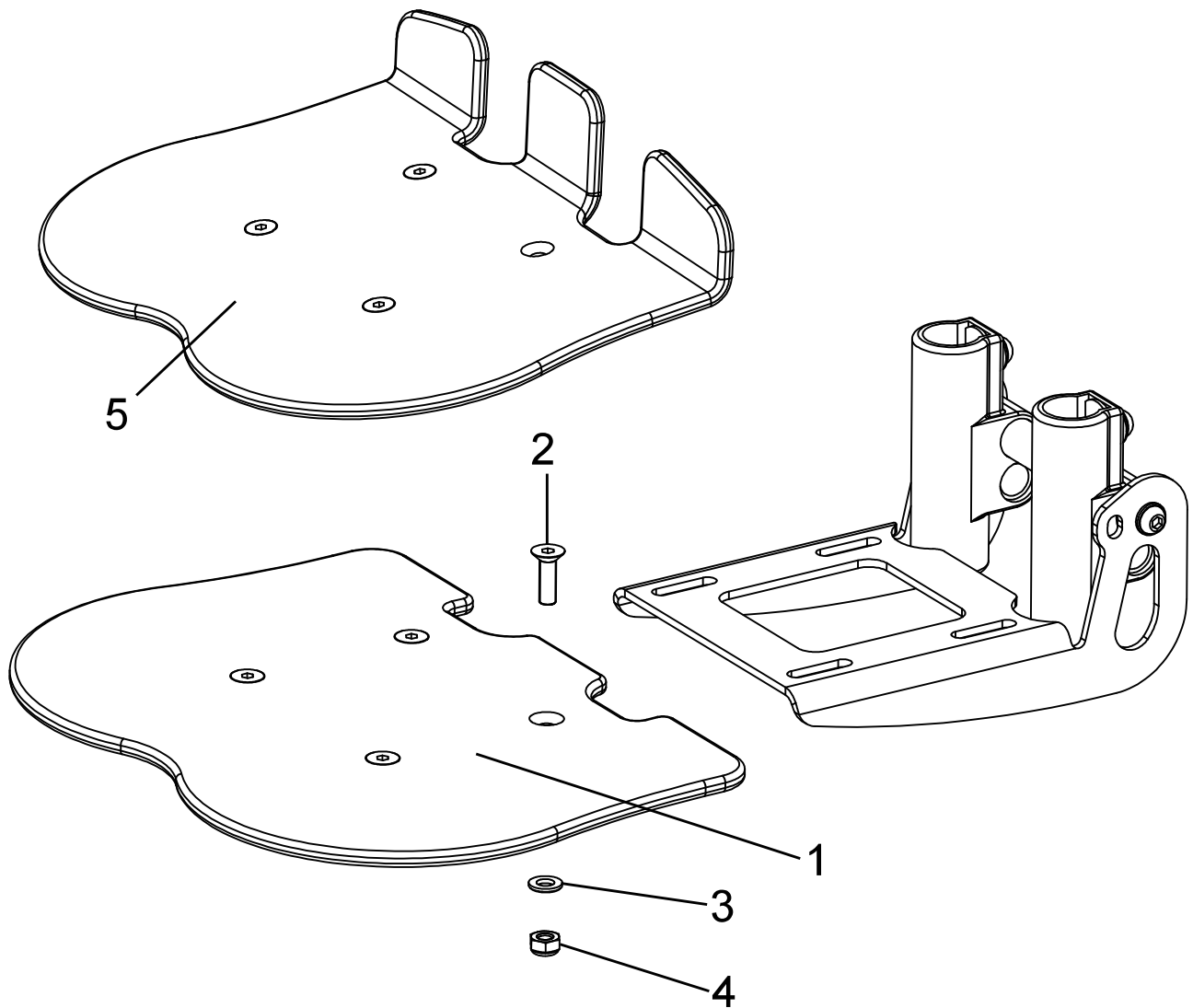
Item	Article number	Article description	Quantity	Unit
1-9	3240-2910E	Foot rest bracket angle adjustable, flip up type	1	pc.
1	3201-2520	Footboard holder	2	pc.
2	1049-0052	T-nut L-769 zp 22x14xM6x8,5	2	pc.
3	1029-0612	Button head socket screw zp DIN/ISO 7380 M6x12	2	pc.
4	1052-0008	Spring washer B8 zp DIN/ISO 137 B8	2	pc.
5	3201-2530	Bushing	2	pc.
6	1051-0006	Washer A6,4 zp DIN/ISO 125 A6,4	2	pc.
7	1029-0640	Button head socket screw zp DIN/ISO 7380 M6x40	2	pc.
8	3240-2911-002	Foot rest bracket, silver	1	pc.
9	3240-2913	Stabilisator	1	pc.

Spare parts for accessories



Item	Article number	Article description	Quantity	Unit
1-13	3240-2960E	Foot rest bracket angle adjustable, flip up type, lockable	1	pc.
1	3240-2911-002	Foot rest bracket, silver	1	pc.
2	3201-2520	Footboard holder	2	pc.
3	3240-2913	Stabilisator	1	pc.
4	3201-7510	Lock plate	2	pc.
5	1051-0006	Washer A6,4 zp DIN/ISO 125 A6,4	4	pc.
6	1029-0612	Button head socket screw zp DIN/ISO 7380 M6x12	4	pc.
7	1029-0640	Button head socket screw zp DIN/ISO 7380 M6x40	2	pc.
8	1052-0008	Federscheibe DIN 137 B8	2	pc.
9	1049-0052	T-nut L-769 zp 22x14xM6x8,5	2	pc.
10	1131-0036	Compression spring D-127d 0,8x8,3x29	2	pc.
11	3201-7520	Spring housing	2	pc.
12	3201-7530	Lock pin	2	pc.
13	1129-0012	Key ring 24x1,5	2	pc.
o. Abb.	1129-0003	Key ring 24x1,5	1	pc.

Spare parts for accessories



Item	Article number	Article description	Quantity	Unit
1-4	3240-31SWE	Foot rest with fasteners	1	pc.
2-5	3240-30SWE	Foot rest with heel stop and fasteners	1	pc.
1	3240-31SW	Foot rest	1	pc.
2	1024-0620	Hexagon socket countersunk head screw zp DIN/ISO 7991 M6x20	4	pc.
3	1051-0006	Washer A6,4 zp DIN/ISO 125 A6,4	4	pc.
4	1042-0006	Hexagon nut self-locking zp DIN/ISO 985 M6	4	pc.
5	3240-30SW	Foot rest with heel stop	1	pc.

Models S und STi

SW = Please complete the article number with the SW.

Models V und VTi

SW = Please complete the article number with the SW plus 4 cm. (e.g. SW 26 + 4 = 30)

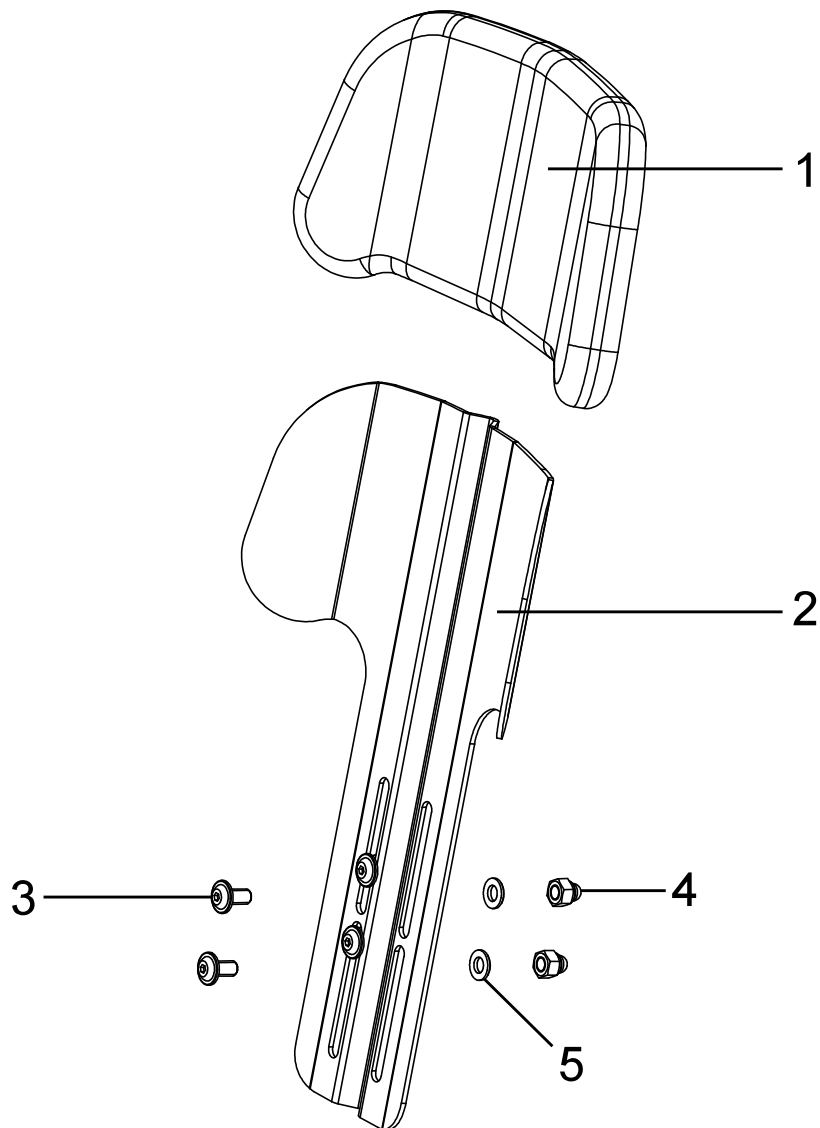
Spare parts for accessories



Item	Article number	Article description	Quantity	Unit
1	3240-73SW-306	Back cushion, black, long	1	pc.
2	3240-72SW-306	Back cushion, black, short	1	pc.
3	3240-77SW-306	Seat cushion, black, long	1	pc.
4	3240-71SW-306	Seat cushion, black, short	1	pc.
5	3240-7515-306	Side parts for back cushion, SW 18-26	2	pc.
6	3240-7565-306	Side parts for back cushion, SW 28-34	2	pc.

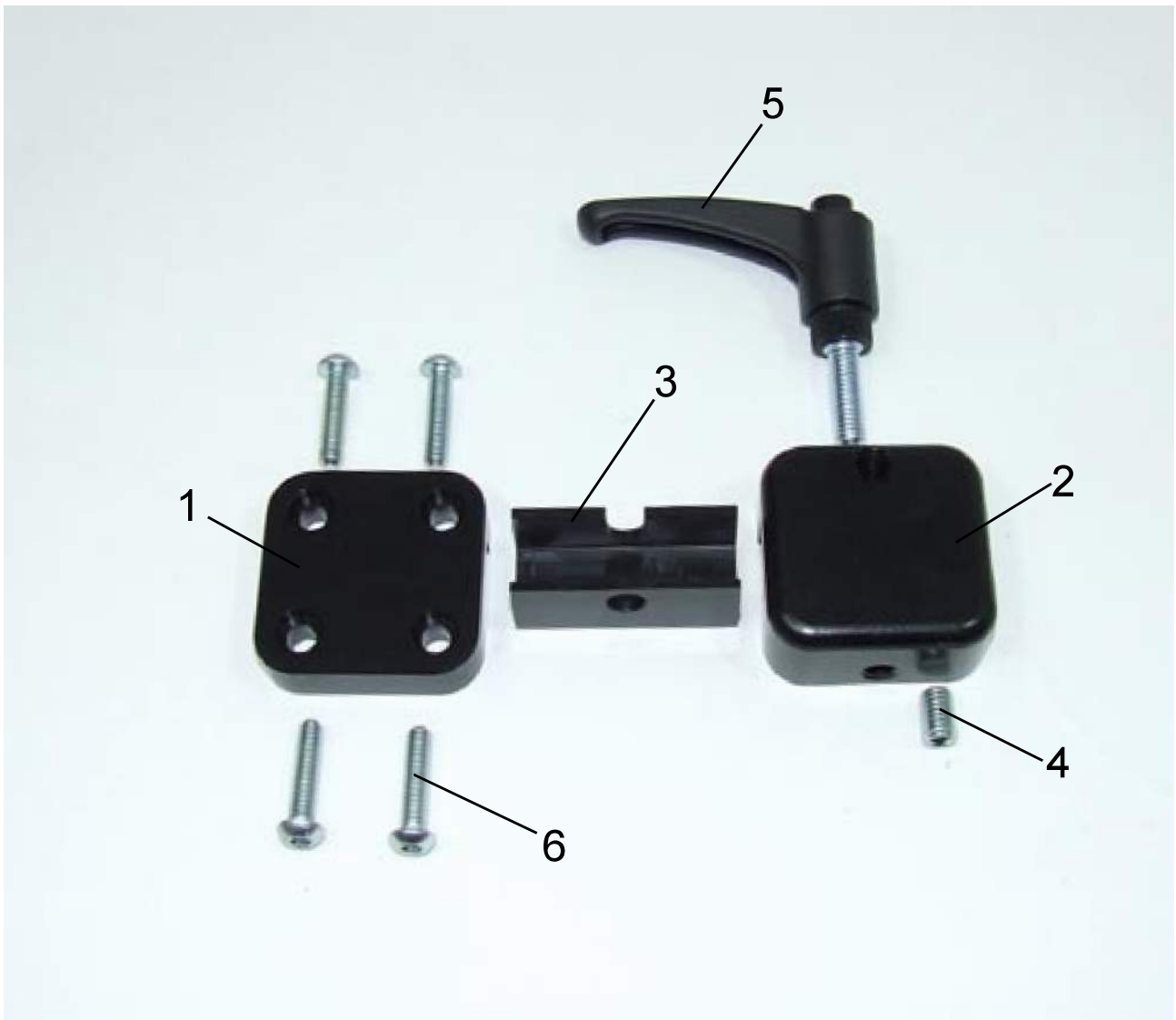
SW = Please complete the article number with the SW.

Spare parts for accessories



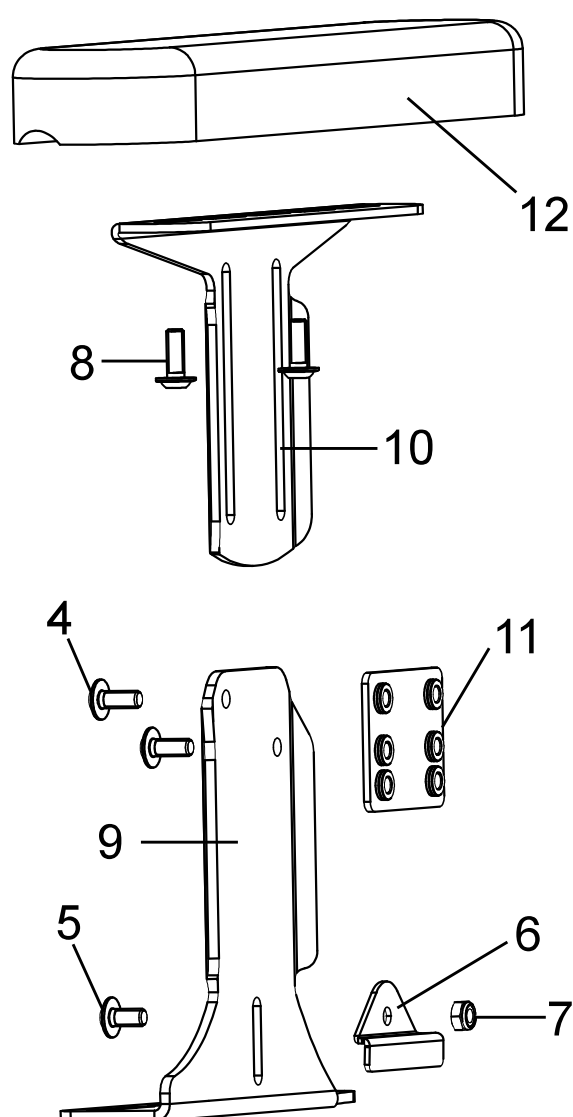
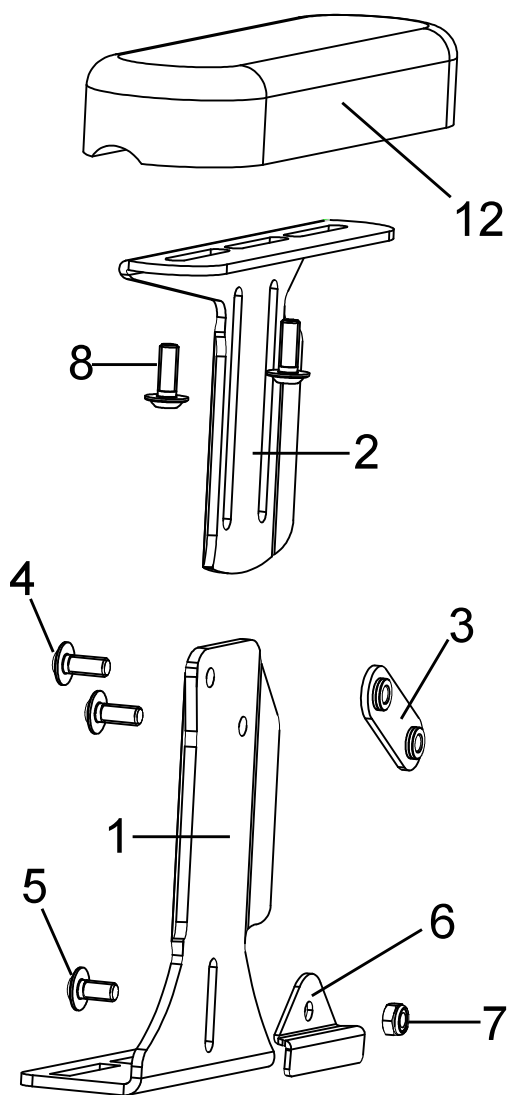
Item	Article number	Article description	Quantity	Unit
1-5	3243-7601	Head support standard with upholstery, SW 18-20cm	1	pc.
	3243-7602	Head support standard with upholstery, SW 22-26cm	1	pc.
	3243-7603	Head support standard with upholstery, up from SW 28cm	1	pc.
1	3243-7620-306	Head cushion size 1	1	pc.
	3243-7630-306	Head cushion size 2	1	pc.
	3243-7640-306	Head cushion size 3	1	pc.
2	3243-7611-002	Head rest panel size 1 SW 18-20, silver	1	pc.
	3243-7612-002	Head rest panel size 2 SW 22-26, silver	1	pc.
	3243-7613-002	Head rest panel size 3 SW 28-34, silver	1	pc.
3	1030-0614	Button head socket screw with flange zp M6x14	4	pc.
4	1044-0006	Hexagonal domed cap nut self-locking zp DIN/ISO 986 M6	4	pc.
5	1051-0006	Washer A6,4 zp DIN/ISO 125 A6,4	4	pc.

Spare parts for accessories



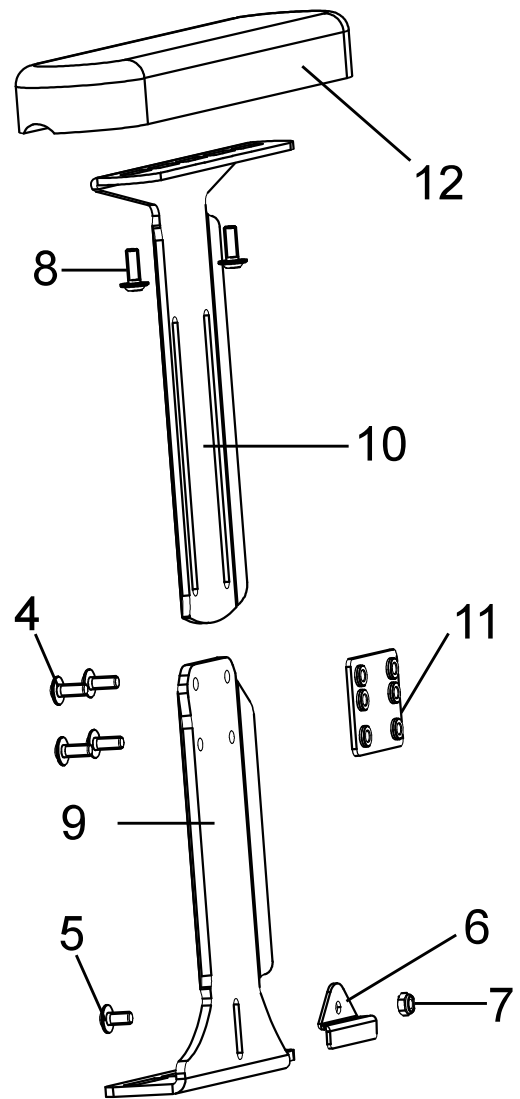
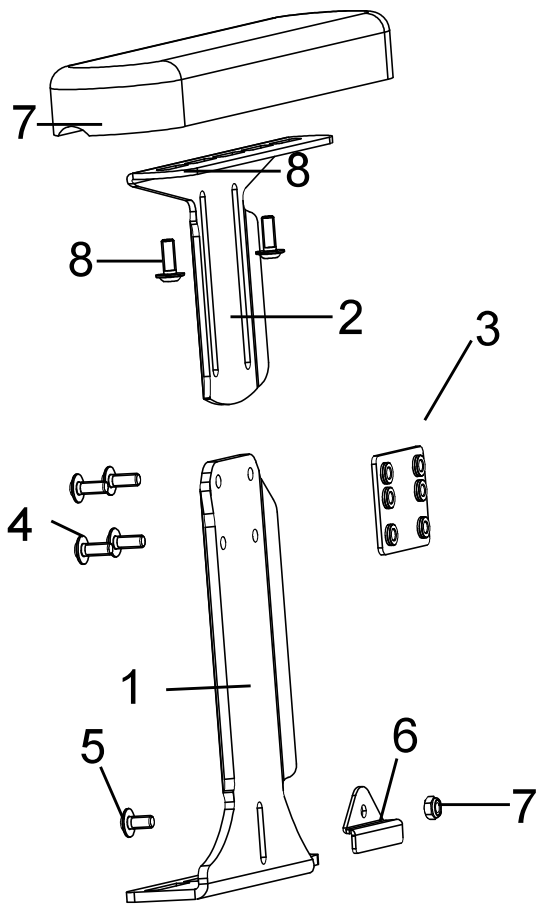
Item	Article number	Article description	Quantity	Unit
1-6	3201-3830	Universal headrest bracket	1	pc.
1	3201-3831	Clamp bottom part	1	pc.
2	3201-3832	Clamp upper part	1	pc.
3	3201-3833	Reducing piece	1	pc.
4	1031-0812	Hexagon socket set screw zp DIN/ISO 913 M8x12	1	pc.
5	1121-0825	Locking lever PA black M8x25	1	pc.
6	1029-0640	Button head socket screw zp DIN/ISO 7380 M6x40	4	pc.

Spare parts for accessories



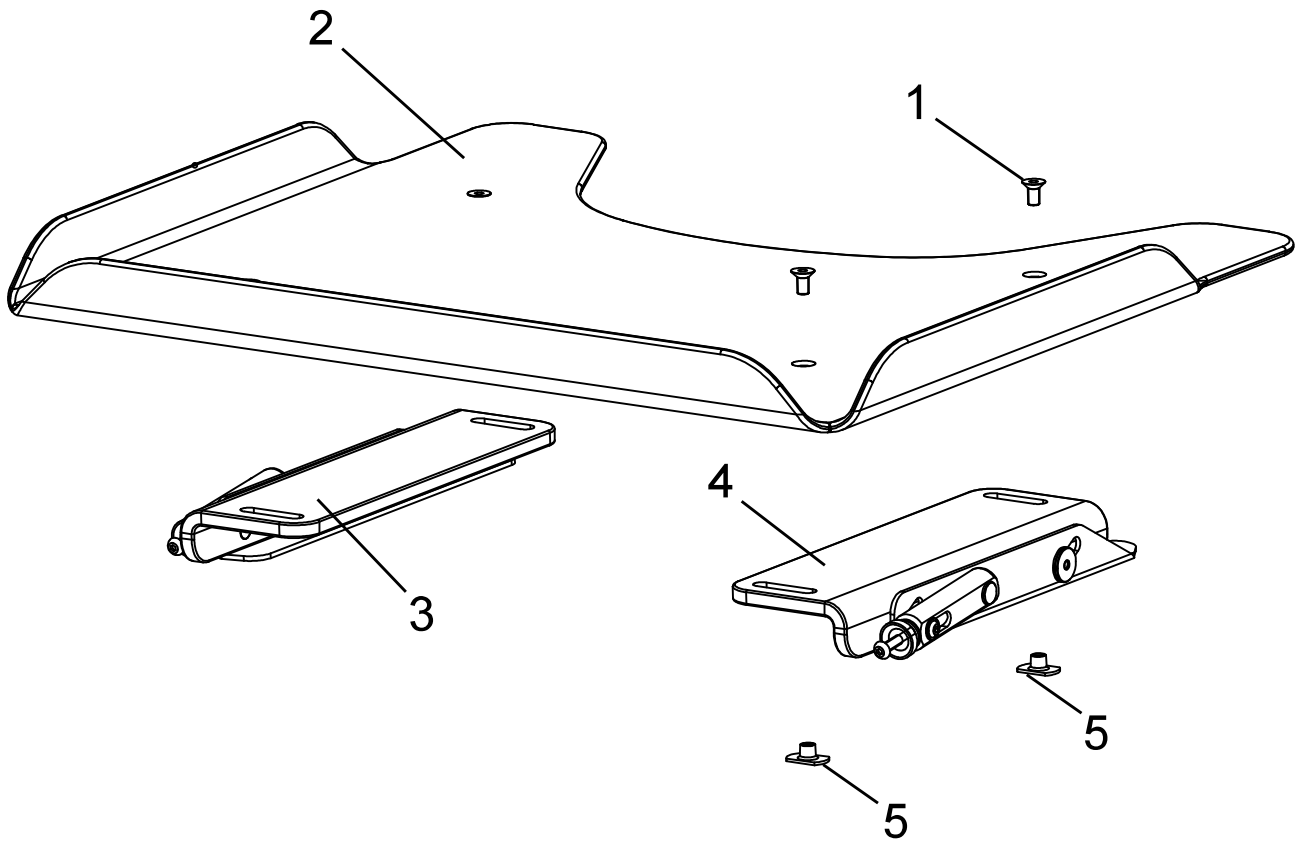
Item	Article number	Article description	Quantity	Unit
1-8	3240-6202E	Armrest, right size 1 (Armrest height: 13-17 cm)	1	pc.
	3240-6201E	Armrest, left size 1 (Armrest height: 13-17 cm)	1	pc.
1	3240-6220-015	Armrest base right size 1	1	pc.
	3240-6210-015	Armrest base left size 1	1	pc.
2	3240-6241-015	Armrest bracket right size 1	1	pc.
	3240-6231-015	Armrest bracket left size 1	1	pc.
3	3240-6233-015	Clamping plate size 1	1	pc.
4	1030-0512	Button head socket screw with flange zp M5x12	2	pc.
5	1030-0510	Button head socket screw with flange zp M5x10	1	pc.
6	3240-6212-002	Claw form bracket, silver	1	pc.
7	1042-0005	Hexagon nut self-locking zp DIN/ISO 985 M5	1	pc.
8	1030-0514	Button head socket screw with flange zp M5x14	2	pc.
9-11, 4-8	3240-6302E	Armrest, right size 2 (Armrest height: 16,5-21,5 cm)	1	pc.
	3240-6301E	Armrest, left size 2 (Armrest height: 16,5-21,5 cm)	1	pc.
9	3240-6320-015	Armrest base right size 2	1	pc.
	3240-6310-015	Armrest base left size 2	1	pc.
10	3240-6341-015	Armrest bracket right size 2	1	pc.
	3240-6331-015	Armrest bracket left size 2	1	pc.
11	3240-6512-015	Clamping plate size 2/3	1	pc.
12	7000-0023	Armrest pads PU 175 mm(fits to size 1)	2	pc.
	7000-0024	Armrest pads PU 235 mm (fits to size 1 and 2)	2	pc.
	7000-0047	Armrest pads PU 270mm (fits to size 2)	2	pc.

Spare parts for accessories



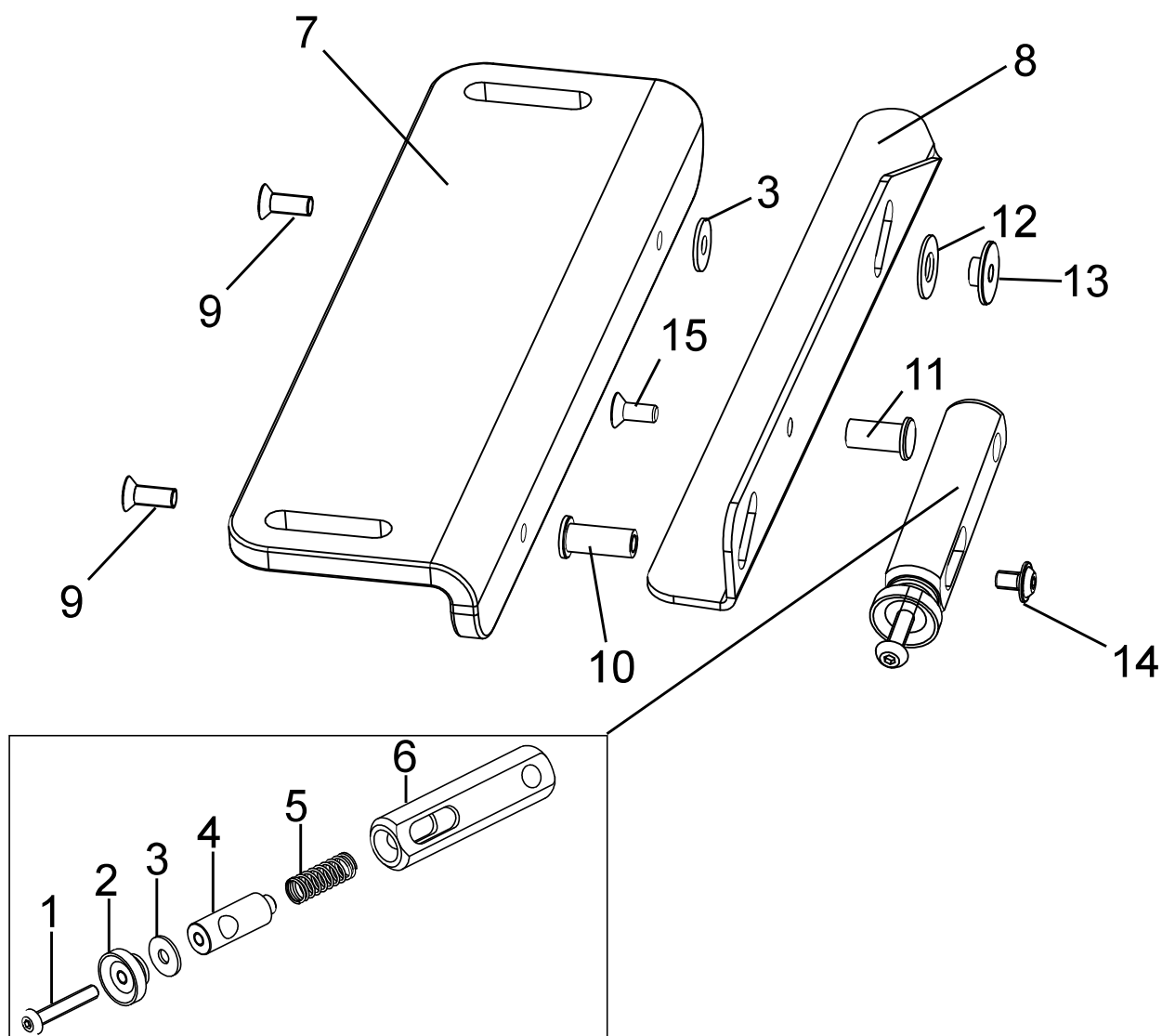
Item	Article number	Article description	Quantity	Unit
1-8	3240-6502E	Armrest, right size 3 (Armrest height: 21-25,5 cm)	1	pc.
	3240-6501E	Armrest, left size 3 (Armrest height: 21-25,5 cm)	1	pc.
1	3240-6520-015	Armrest base right size 3	1	pc.
	3240-6510-015	Armrest base left size 3	1	pc.
2	3240-6341-015	Armrest bracket right size 2	1	pc.
	3240-6331-015	Armrest bracket left size 2	1	pc.
3	3240-6512-015	Clamping plate size 2/3	1	pc.
4	1030-0512	Button head socket screw with flange zp M5x12	4	pc.
5	1030-0510	Button head socket screw with flange zp M5x10	1	pc.
6	3240-6212-002	Claw form bracket, silver	1	pc.
7	1042-0005	Hexagon nut self-locking zp DIN/ISO 985 M5	1	pc.
8	1030-0514	Button head socket screw with flange zp M5x14	2	pc.
9-11, 4-8	3240-6505E	Armrest, right size 4 (Armrest height: 26-34,5 cm)	1	pc.
	3240-6504E	Armrest, left size 4 (Armrest height: 26-34,5 cm)	1	pc.
9	3240-6520-015	Armrest base right size 3	1	pc.
	3240-6510-015	Armrest base left size 3	1	pc.
10	3240-6361-015	Armrest bracket right size 3	1	pc.
	3240-6351-015	Armrest bracket left size 3	1	pc.
11	3240-6512-015	Clamping plate size 2/3	1	pc.
12	7000-0023	Armrest pads PU 175 mm (fits to size 1)	2	pc.
	7000-0024	Armrest pads PU 235 mm (fits to size 1 and 2)	2	pc.
	7000-0047	Armrest pads PU 270mm (fits to size 2)	2	pc.

Spare parts for accessories



Item	Article number	Article description	Quantity	Unit
1-6	3240-8201	SBO therapy tray size 1, SW 18-22	1	pc.
	3240-8202	SBO therapy tray size 1, SW 24-28	1	pc.
	3240-8203	SBO therapy tray size 3, SW 30-34	1	pc.
1	1024-0612	Hexagon socket countersunk head screw zp DIN/ISO 7991 M6x12	4	pc.
2	3240-8291	Table board SW 18-22	1	pc.
	3240-8292	Table board SW 24-28	1	pc.
	3240-8293	Table board SW 30-34	1	pc.
3	3240-8210	Clamping unit, left	1	pc.
4	3240-8220	Clamping unit, right	1	pc.
5	1049-0052	T-nut L-769 zp 22x14xM6x8,5	4	pc.

Spare parts for accessories



Item	Article number	Article description	Quantity	Unit
1-11	3240-8210E	Clamping unit, left	1	pc.
	3240-8220E	Clamping unit, right	1	pc.
1	1029-0530	Button head socket screw zp DIN/ISO 7380 M5x30	1	pc.
2	1124-0500	Knurled nut PA black M5	1	pc.
3	1055-0005	Washer A5,3 zp DIN/ISO 9021 A5,3	2	pc.
4	3240-8215	Spring guide	1	pc.
5	1131-0043	Compression spring D-143F, 0,9x9,5x35,00x8,50	1	pc.
6	3240-8214	Spring housing	1	pc.
7	3240-8211	Adjusting bracket	1	pc.
8	3240-8212-015	Terminal strip, left	1	pc.
	3240-8222-015	Terminal strip, right	1	pc.
9	1024-0514	Hexagon socket countersunk head screw zp DIN/ISO 7991 M5x14	2	pc.
10	3240-8217	Bearing bush M5x20,5	1	pc.
11	3240-8216	Bearing bush M5x18	1	pc.
12	1113-0003	Washer PA 18x8,4x1 black	1	pc.
13	3240-8218	Bearing bush M5x5,5	1	pc.
14	1030-0508	Button head socket screw with flange zp M5x8	1	pc.
15	1024-0512	Hexagon socket countersunk head screw zp DIN/ISO 7991 M5x12	1	pc.

Your notes

Manufacturer:

Hoggi GmbH

Taunusstrasse 17

D - 56235 Ransbach-Baumbach

Fon: (+49) 26 23 / 92 499-0 · Fax: (+49) 26 23 / 92 499-99

e-mail: info@hoggi.de · Internet: <http://www.hoggi.de>