
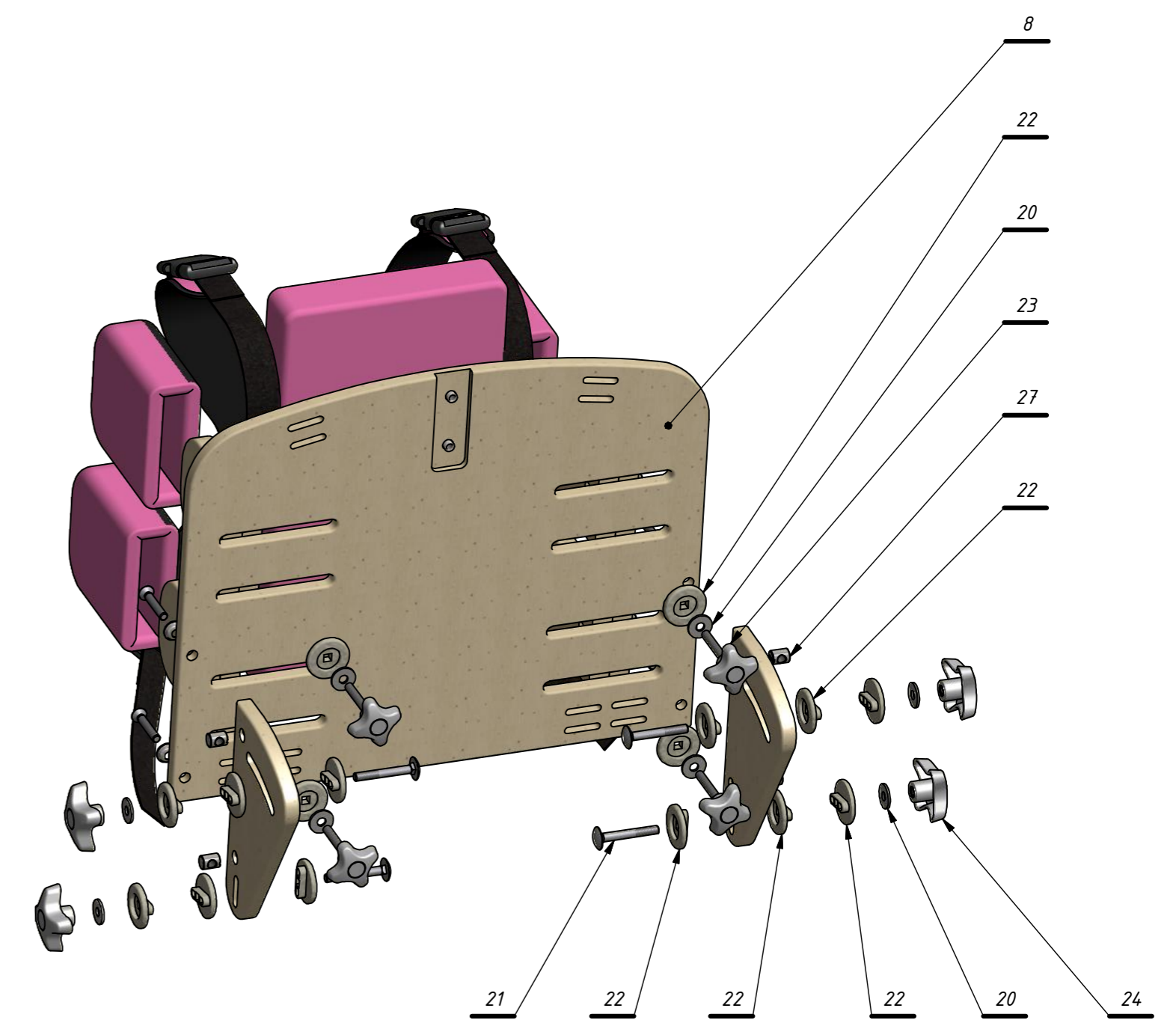
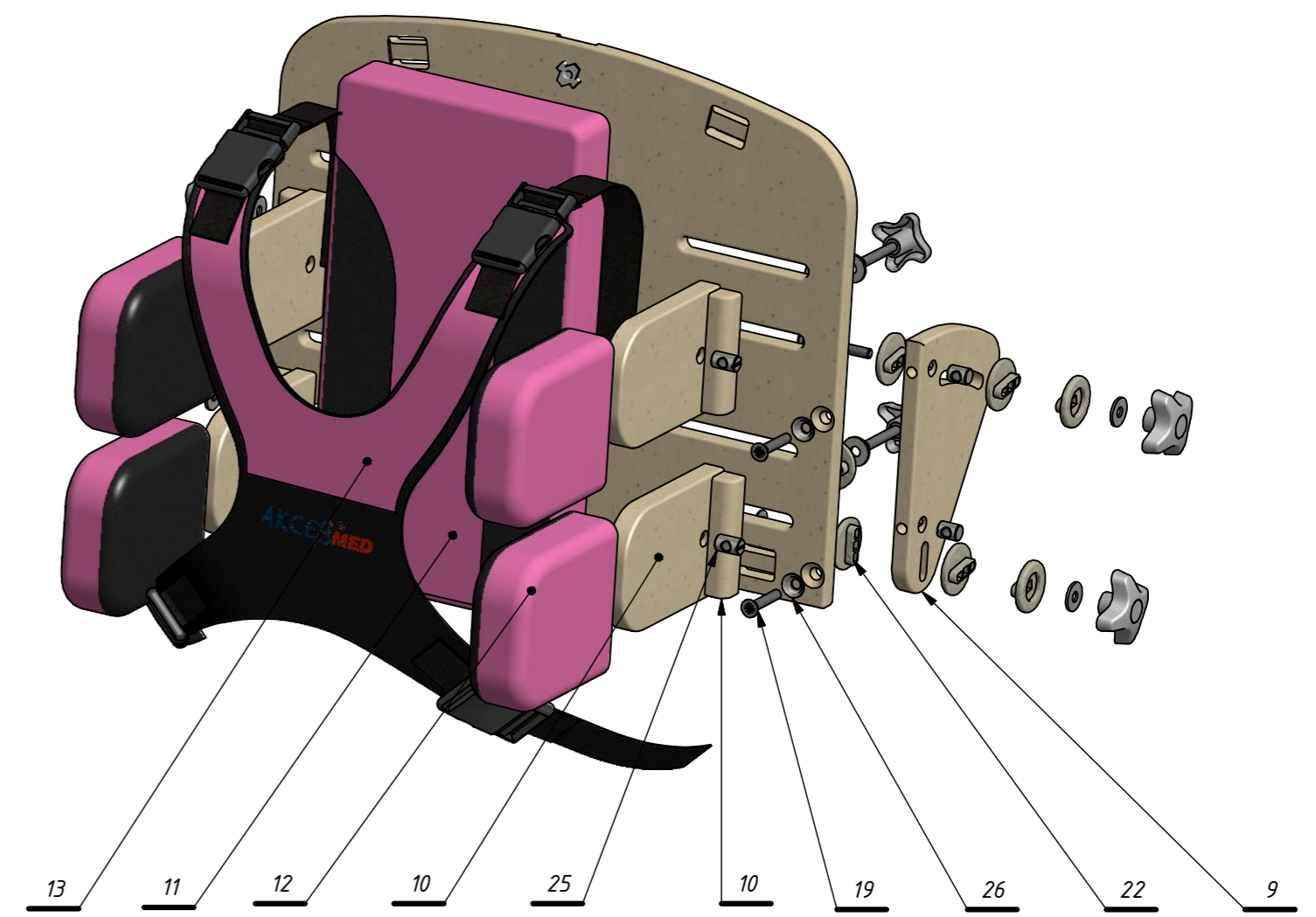
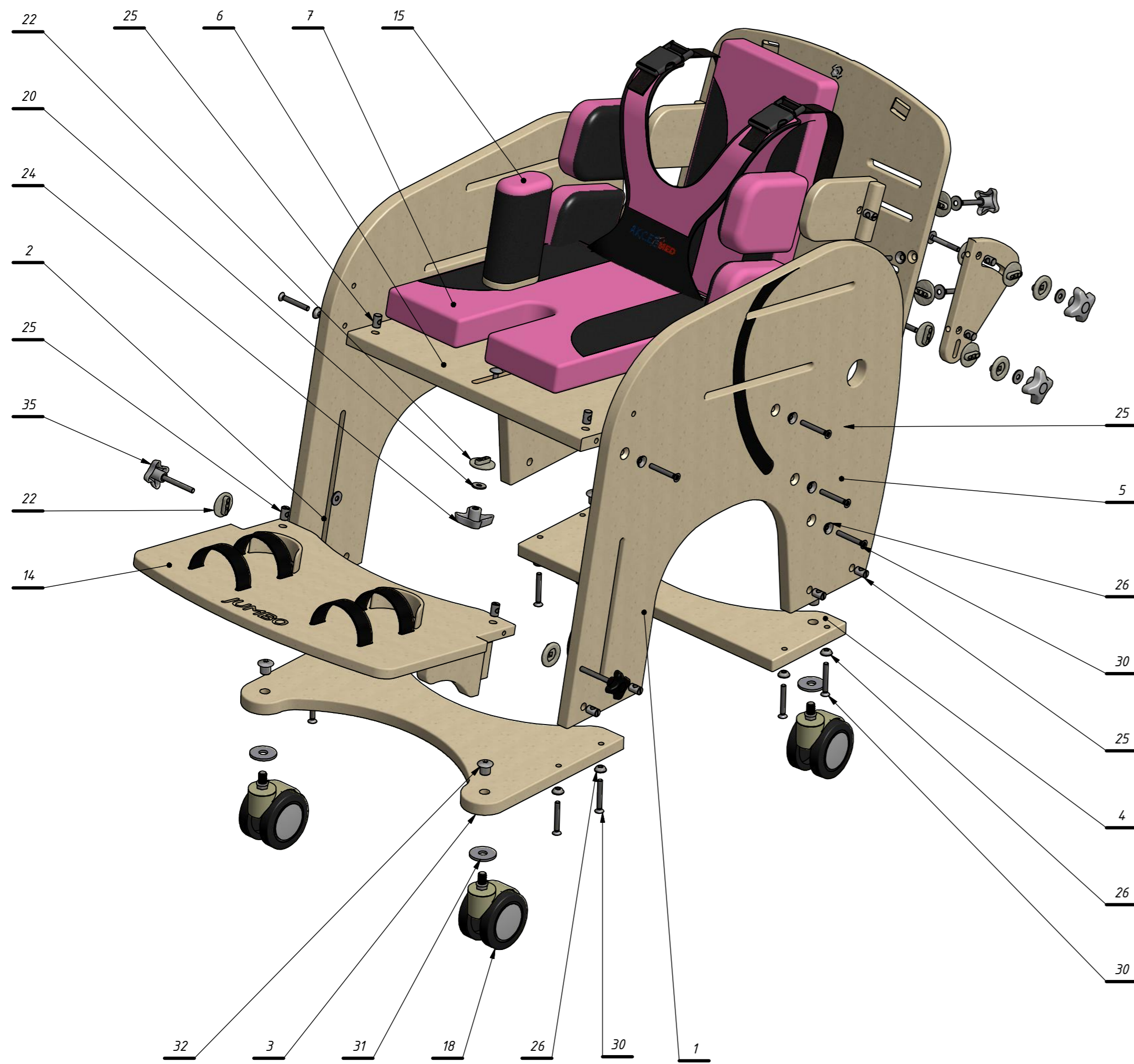



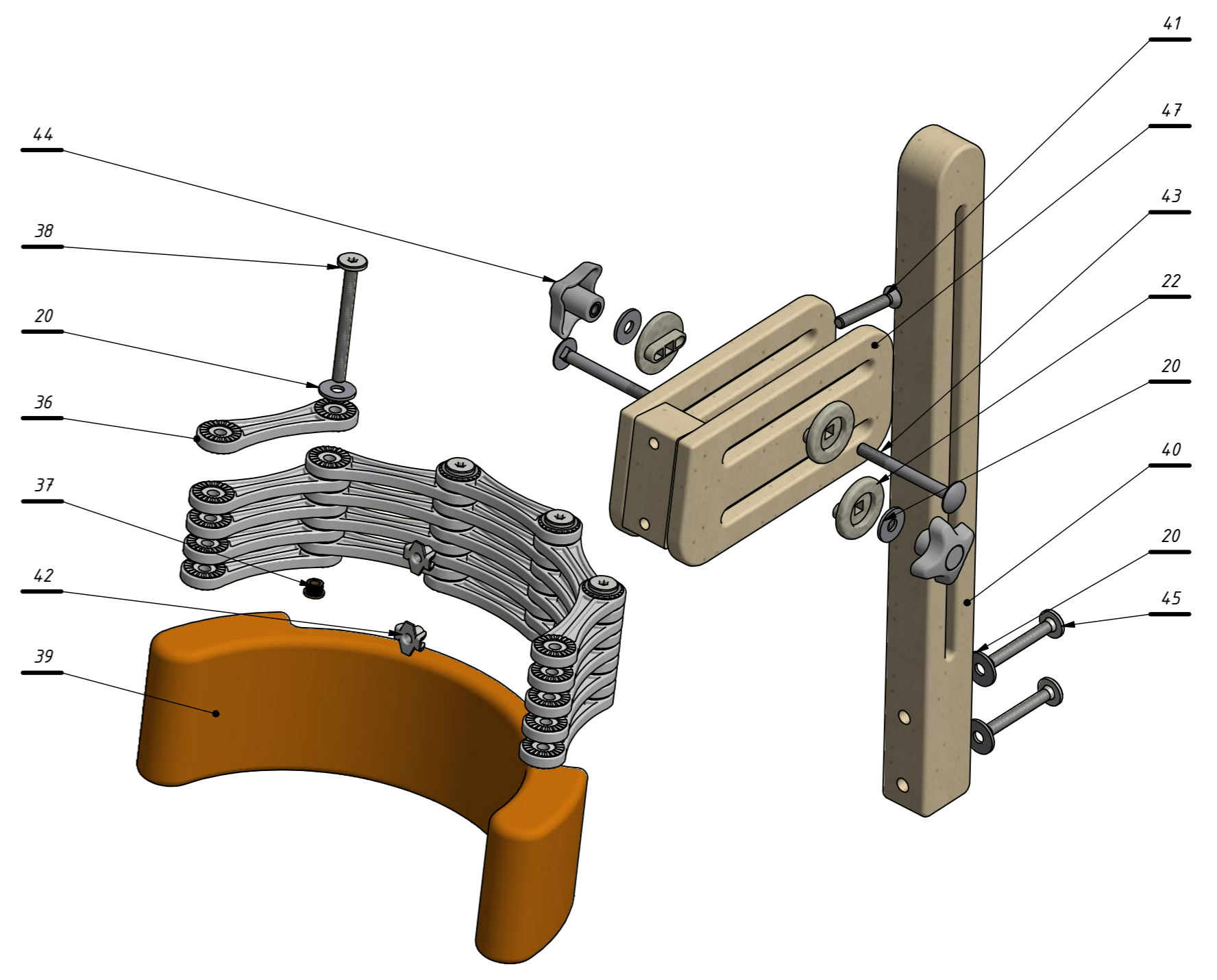
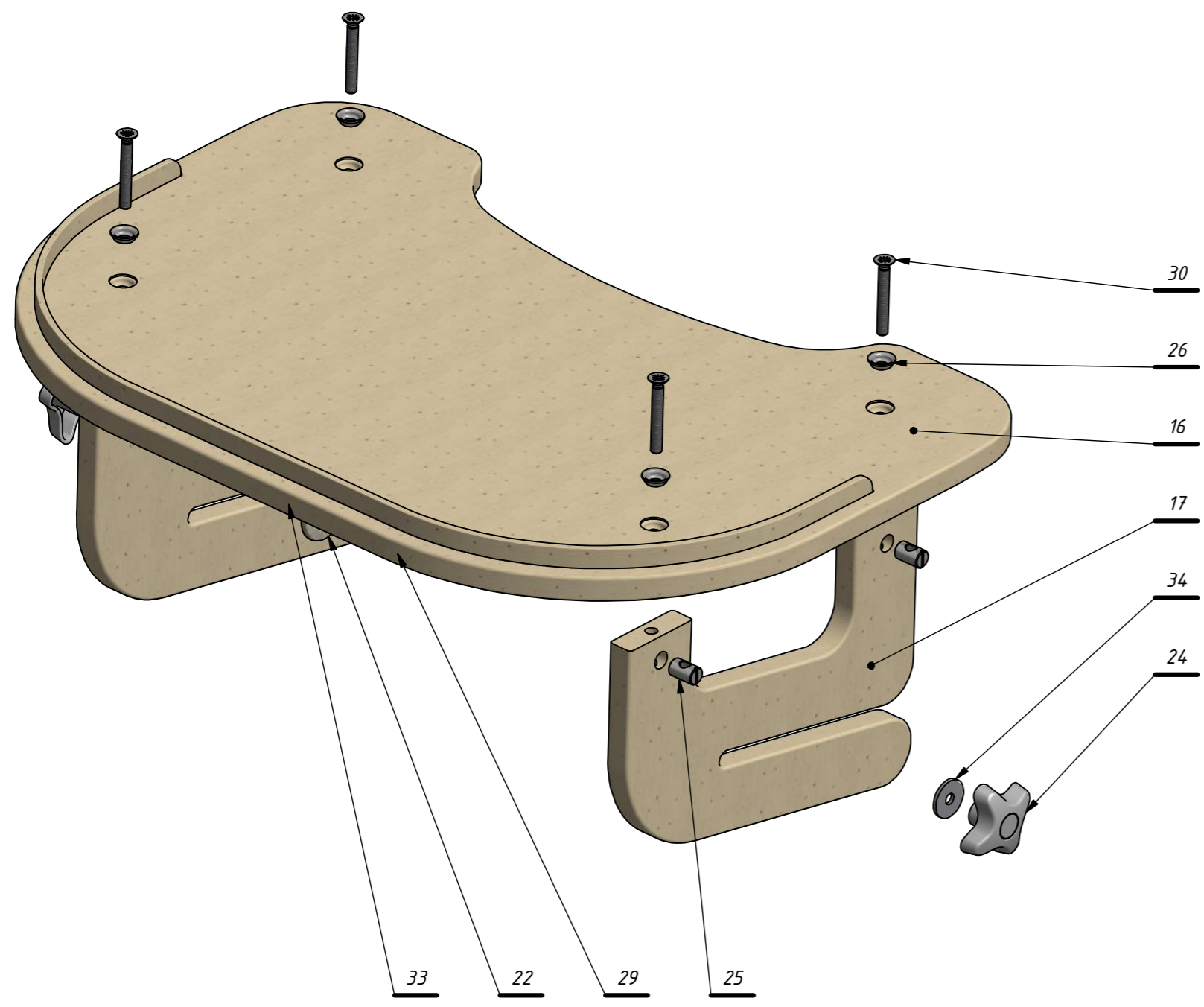
Pos:	1	Title:	Jumbo 1	Pcs:	1
Sheet:	A2	Scale:	1:4	 SL-1.0000	





Pos:	Title:	Pcs:	
2	Standard	1	
Sheet:	Scale:	 SL-1.0000	
A2			





Pos:	Title:	Pcs:	
3	Tray, Head rest	1	
Sheet:	Scale:	AKCESMED	
A2	1:3	SL-1.0000	

1	Jumbo	SN-1.0110	1	Plywood	2,756 kg
2	Jumbo MIR	SN-1.0110 MIR	1	Plywood	2,756 kg
3	Batten under front castors	SN-1.0120	1	Plywood	0,829 kg
4	Batten under back castors	SN-1.0130	1	Plywood	0,497 kg
5	Rib	SN-1.0140	1	Plywood	0,457 kg
6	Seat	SN-1.0150	1	Plywood	1,728 kg
7	Seat's upholstery	SN-1.0160	1	Polyurethane foam	0,121 kg
8	Back support	SN-1.0210	1	Plywood	0,939 kg
9	Support's arch	SN-1.0220	2	Plywood	0,090 kg
10	Pelotte's rib	SN-1.0231	4		0,106 kg
11	Support's upholstery	SN-1.0240	1	General	2,163 kg
12	Pelotte's upholstery	SN-1.0250	4	General	0,310 kg
13	Vest	SN-1.0260	1		0,156 kg
14	Foot rest	SN-1.0400	1		1,577 kg
15	Abduction block	SN-1.0500	1		0,251 kg
16	Top table	SN-1.0710	1	Plywood	1,648 kg
17	Table's eye	SN-1.0720	2	Plywood	0,254 kg
18	Swede Wheel	1175001GS	4		0,154 kg
19	Countersunk screw M6x35	ISO 7046-1 - M6 x 35 - 4.8 - Z	4	Steel	0,008 kg
20	Enlarged washer M6	ISO 7093 C - ST 6 - 100 HV	19	Steel	0,003 kg
21	Cup square bolt M6x45	ISO 8678 - M6 x 45	4	Steel	0,014 kg
22	Washer	PW 8x32	25	Polypropylene	0,002 kg
23	Dial bolt Ø40xM6x40	SR4.023M64.0S	4	General	0,006 kg
24	Dial nut Ø50xM6	SR5023M6S	7	General	0,008 kg
25	Symmetric barrel nut M6x16	NWS M6x16	26	Steel	0,008 kg
26	Cup washer M6	PMI M6	24	Steel	0,002 kg
27	Symmetric barrel nut M6x13	NWS M6x13	4	Steel	0,006 kg
28	Cup square bolt M6x35	ISO 8678 - M6 x 35	1	Steel	0,011 kg
29	Cup square bolt M6x40	ISO 8678 - M6 x 40	2	Steel	0,013 kg
30	Countersunk screw M6x45	ISO 7046-1 - M6 x 45 - 4.8 - Z	20	Steel	0,011 kg
31	Wood washer M10	100035	4	Steel	0,019 kg
32	Sleeve nut with round head M10x13-s5	NEP M10x13 s5	4	Steel	0,011 kg
33	Bush M6x1 l=8 mm	TU M6x1 18	2	Steel	0,001 kg
34	Wood washer M6	ISO 7094 - ST 6 - 100 HV	2	Steel	0,005 kg
35	Dial bolt Ø40xM6x50	SR4.023M650S	2	General	0,007 kg
36	Headrest chock	KZ 6x64	23	Polypropylene	0,006 kg
37	Neck bush M5	TUK M5	4	Steel	0,002 kg
38	Hexagon socket head screw M6x65	WWI M6x65	4	Steel	0,017 kg
39	Headrest's upholstery	SN-U.0360	1	Polyurethane foam	0,017 kg
40	Headrest moulding batten	SN-U.0310	1	Plywood	0,314 kg
41	Countersunk screw M6x40	ISO 7046-1 - M6 x 40 - 4.8 - Z	2	Steel	0,009 kg
42	T-nut M6x9	NPP M6x9	2	Steel	0,004 kg
43	Cup square bolt M6x60	ISO 8678 - M6 x 60	2	Steel	0,017 kg
44	Dial nut Ø40xM6	SR4.023M6S	2	General	0,005 kg
45	Hexagon socket head screw M6x45	WWI M6x45	2	Steel	0,013 kg
46	T-nut M6x12	NPP M6x12	2	Steel	0,004 kg
47	Headrest support	SN-U.0320	1		0,155 kg
48	Klammerka meška 30 mm	KLA-30 M	4	Nylon 6/6	0,006 kg