
HOGGI[®]



DURO and DURO Cross Spare parts catalogue

en

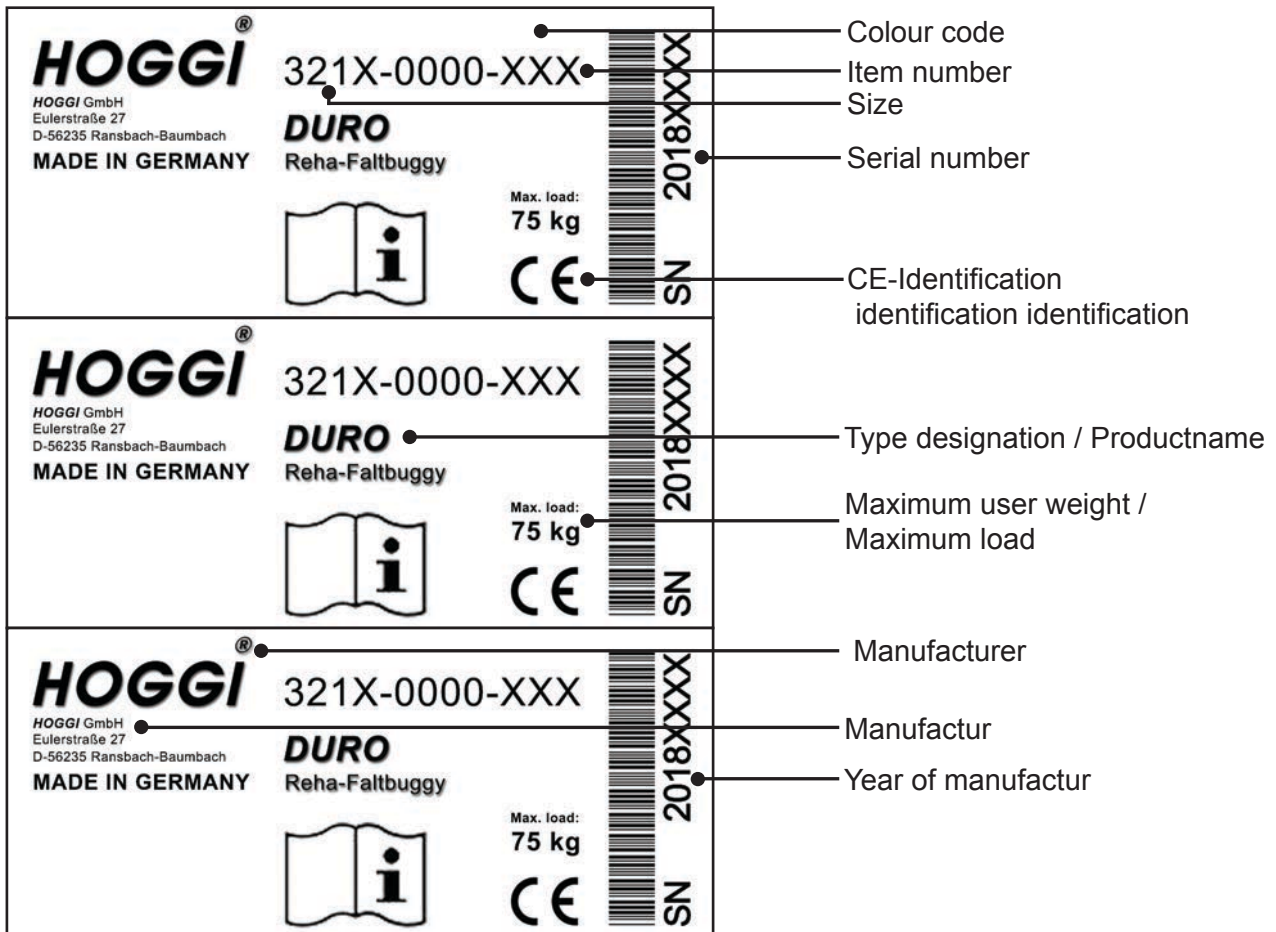
Index

| | | |
|----------|---|----|
| 1 | Modellidentification and basic equipment | |
| 1.1 | Modellidentification | 3 |
| 1.2 | Basic equipment | 3 |
| 2 | Assemblies | |
| 2.1 | Assembly overview | 4 |
| 3 | Spare parts | |
| 3.1 | Front frame | 5 |
| 3.2 | Rear frame | 6 |
| 3.3 | Break | 7 |
| 3.4 | Rear frame DURO Cross, drumbreak | 8 |
| 3.5 | DURO Cross drumbreak | 9 |
| 3.6 | Pushbar | 10 |
| 3.7 | Seat and backrest retainer | 11 |
| 3.8 | Seat surface | 12 |
| 3.9 | Pelotte thigh support | 13 |
| 3.10 | Hip support | 14 |
| 3.11 | Back base Duro | 15 |
| 3.12 | Lateral support | 16 |
| 3.13 | Back insert | 17 |
| 3.14 | Duro upholstery and support backret, colour code's | 18 |
| 3.15 | Footrest hanger | 19 |
| 3.16 | Foot rest bracket angle adjustable, flip up type | 20 |
| 3.17 | Foot rest bracket angle adjustable, with interlocking | 21 |
| 3.18 | Foot rest | 22 |
| 3.19 | Castor fork | 23 |
| 3.20 | Wheel options | 24 |
| 3.21 | Swivel lock, for castor fork's | 25 |
| 3.22 | Tie down kit | 26 |
| 3.23 | Headrest | 27 |
| 3.24 | Trunk suport | 28 |
| 3.25 | Abduktion block, fixed | 29 |
| 3.26 | Abduction block, swing&detachable | 30 |
| 3.27 | Retainer for accessories grab rail or therapy tray | 31 |
| 3.28 | Grab rail | 32 |
| 3.29 | Therapy tray | 33 |
| 3.30 | Therapy tray, height adjustable | 34 |
| 3.31 | Attendant brake DURO, two hand use | 35 |
| 3.32 | Calf pad support and foam insert | 36 |
| 3.33 | Canopy and rain protector | 37 |

1 Model identification

1.1 Model identification

The label with the serial number, is placed on the inside of the right rear side bar.
Please give us the Serial number with every spare part order, to ensure a correct delivery.

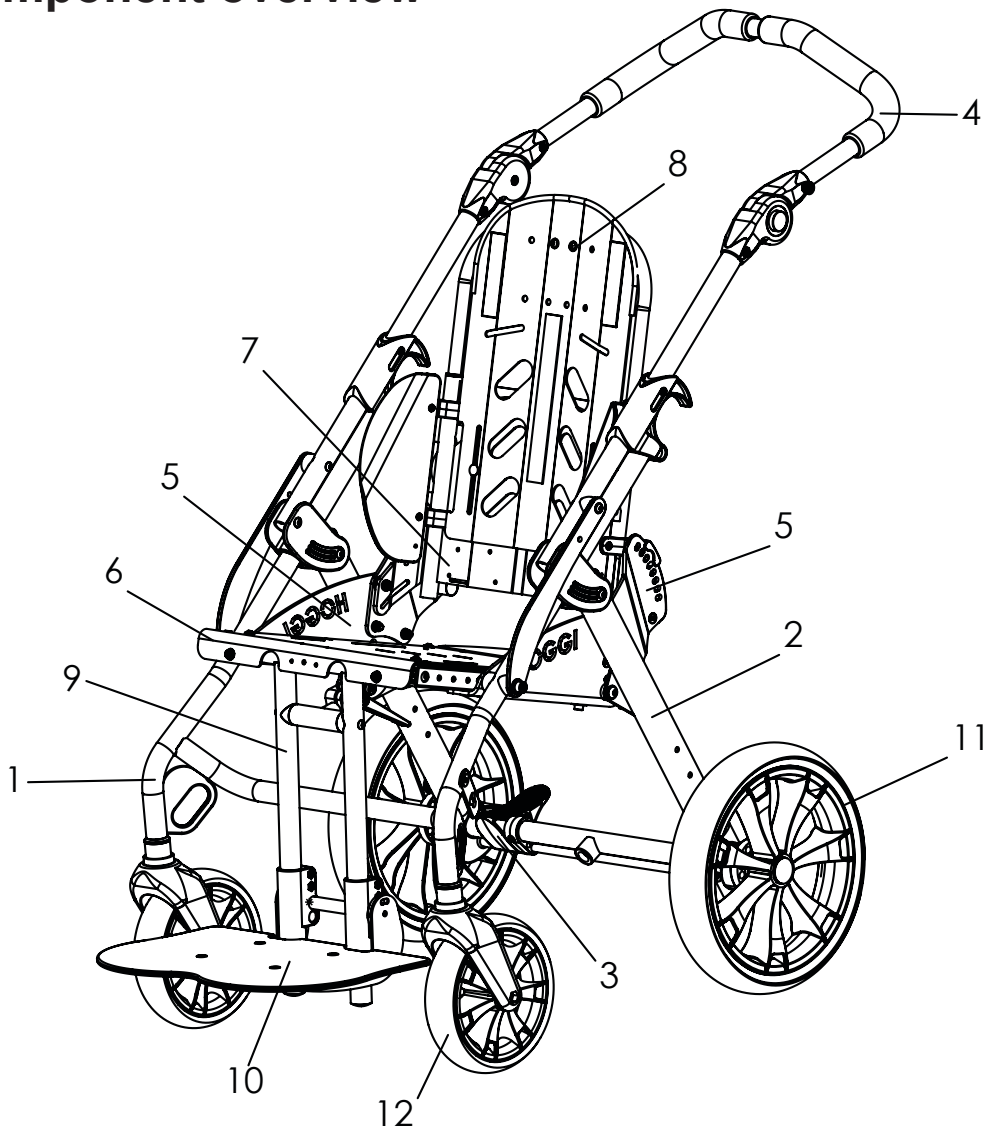


1.2 Basic configuration

The basic configuration includes:

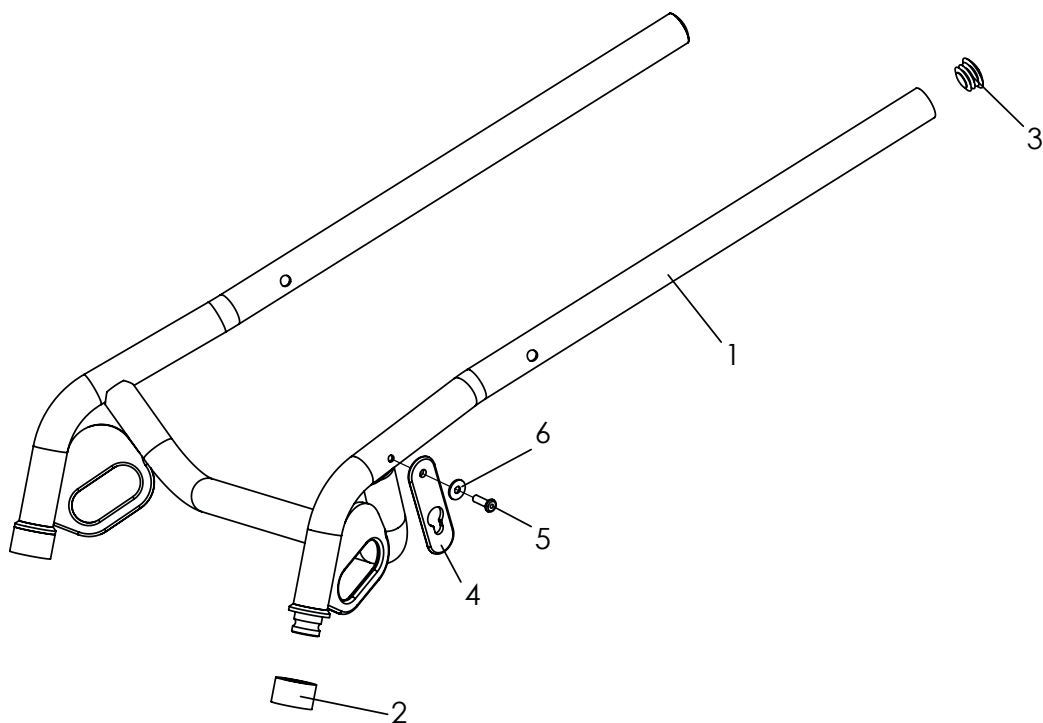
- DURO or DURO Cross Rehab-buggy
- With DURO: Front- and rear wheels with pneumatic or PU-wheels
- With DURO Cross: Front wheels with pneumatic- or PU-wheels, Rear drumbrakes with, pneumatic or PU-wheels
- Upholstery (IPS)
- Pelotte thigh support
- Foot rest hanger, angle adjustable
- Foot rest bracket and foot rest

2 Component overview



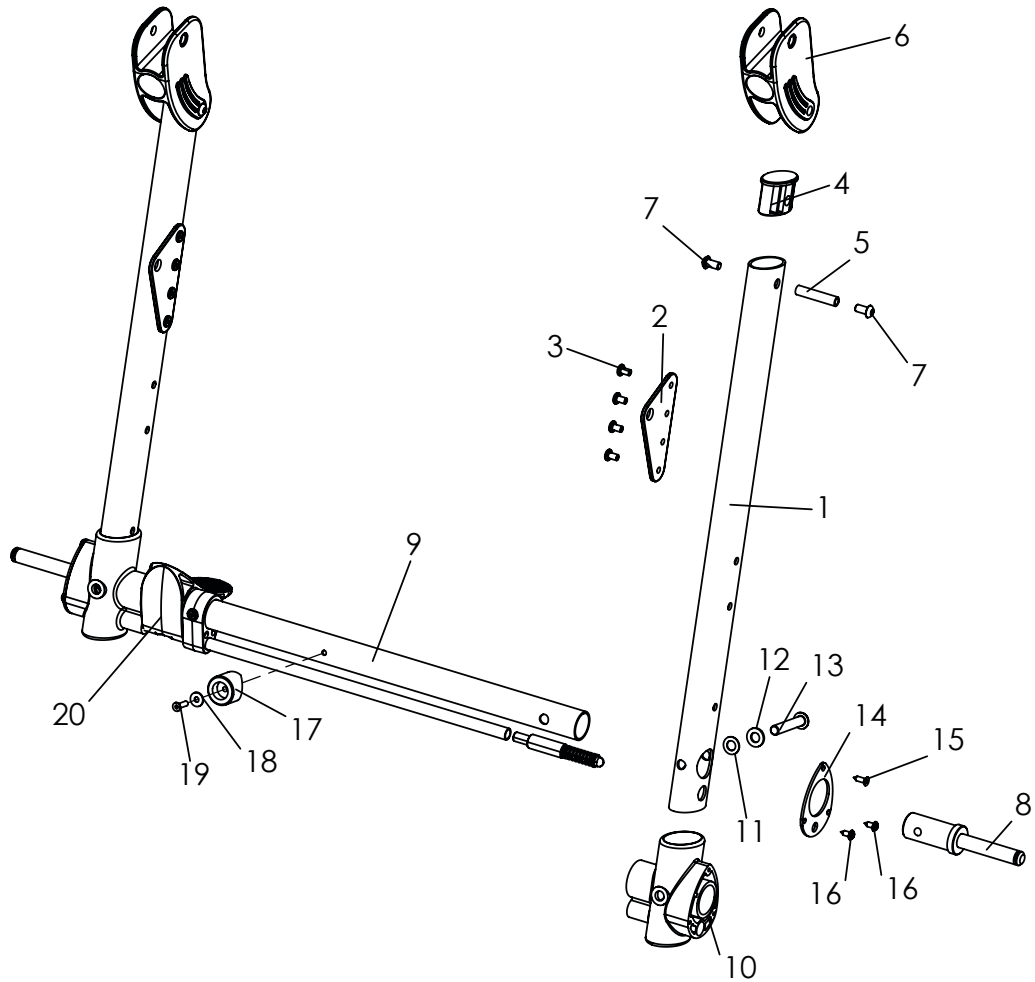
| Pos | Article number | Component group | Page |
|-----|----------------|-----------------------------|------|
| 1 | 3211-1100 | Front frame DURO size 1 | 5 |
| | 3212-1100 | Front frame DURO size 2 | |
| 2 | 3211-1200 | Rear frame DURO size 1 | 6 |
| | 3212-1200 | Rear frame DURO size 2 | |
| 3 | 3211-1300E | Break size 1 | 7 |
| | 3212-1300E | Break size 2 | |
| 4 | 3211-1400 | Pushbar DURO size 1 | 10 |
| | 3212-1400 | Pushbar DURO size 2 | |
| 5 | 3211-1500 | Seat and backrest retainer | 11 |
| 6 | 3211-1700 | Seat surface DURO size 1 | 12 |
| | 3212-1700 | Seat surface DURO size 2 | |
| 7 | 3211-2300 | Back base DURO size 1 | 15 |
| | 3212-2300 | Back base DURO size 2 | |
| 8 | 3211-2800 | Back insert DURO size 1 | 17 |
| | 3212-2800 | Back insert DURO size 2 | |
| 9 | 3211-2400 | Footrest hanger DURO size 1 | 19 |
| | 2312-2400 | Footrest hanger DURO size 2 | |
| 10 | 3245-4302 | Foot rest | 20 |
| 11 | 12xx-xxxx | Rear wheel | 24 |
| 12 | 12xx-xxxx | Front wheel | 24 |

Spare parts



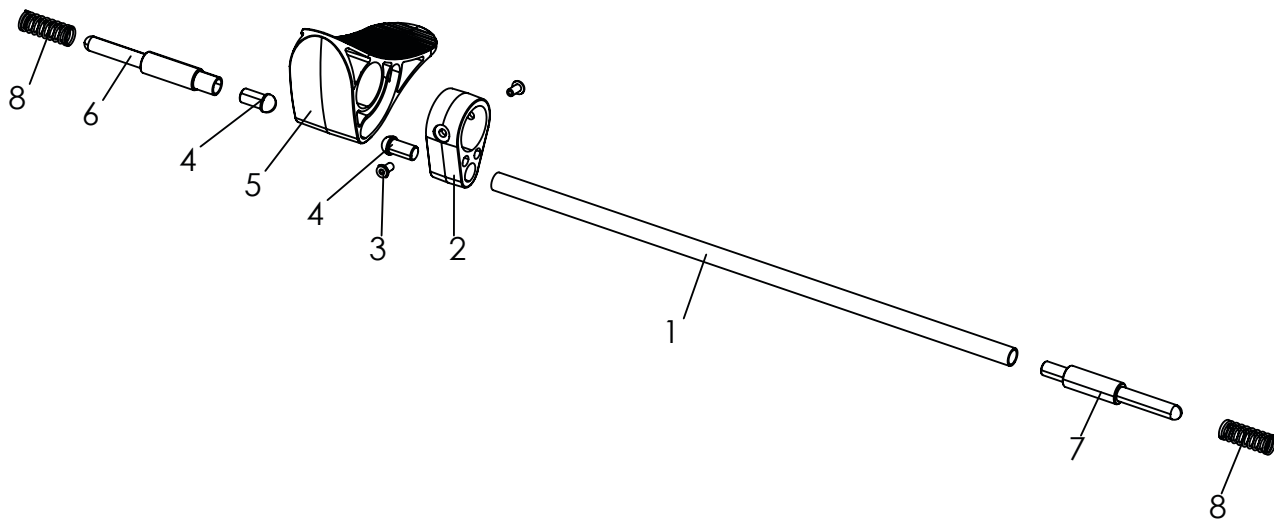
| Pos | Article number | Articel description | Quantity | Unit |
|------------|-----------------------|-------------------------------|----------|------------|
| 1-3 | 3211-1100E-xxx | Front fram Duro size 1 | 1 | Pc. |
| | 3212-1100E-xxx | Front fram Duro size 2 | 1 | Pc. |
| 1 | 3211-1110-xxx | Front fram Duro size 1 | 1 | Pc. |
| | 3212-1110-xxx | Front fram Duro size 2 | 1 | Pc. |
| 2 | 3202-1151 | cover ring | 2 | Pc. |
| 3 | 1141-0009 | ribbed insert SFL 25x1-2,5 | 2 | Pc. |
| 4 | 3231-1431 | catch strap | 1 | Pc. |
| 5 | 1062-0516 | Blind rivet F5x16 | 1 | Pc. |
| 6 | 1055-0005 | Washer A5,3 | 1 | Pc. |

Spare parts



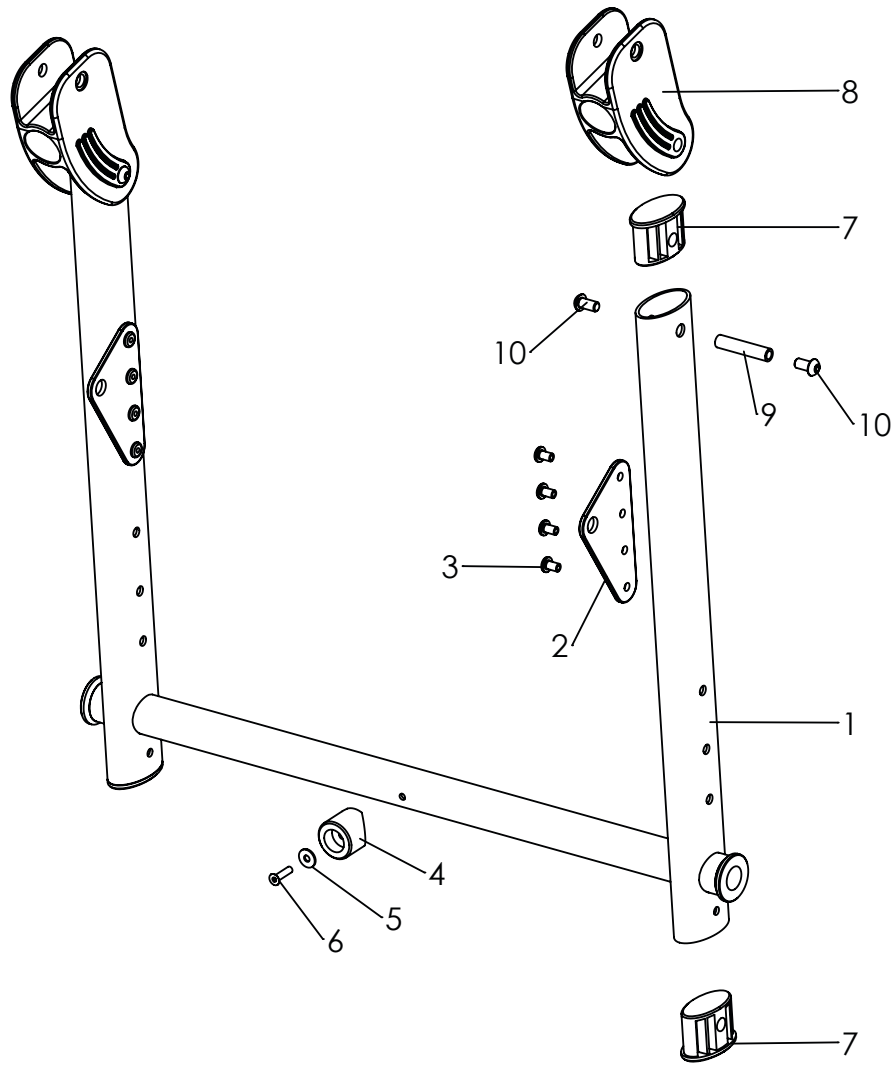
| Pos | Article number | Articel description | Quantity | Unit |
|--------------|-----------------------|--|----------|------------|
| 1-19 | 3211-1200E-xxx | Rear frame DURO size 1 | 1 | Pc. |
| | 3212-1200E-xxx | Rear frame DURO size 2 | 1 | Pc. |
| 1-3 | 3211-1211E-xxx | Side bar rear DURO left, incl. gusset plate | 1 | Pc. |
| | 3211-1221E-xxx | Side bar rear DURO right, incl. gusset plate | 1 | Pc. |
| 2 | 3210-1212-015 | Gusset plate | 2 | Pc. |
| 3 | 1062-0508 | Blind rivet F5x8 | 8 | Pc. |
| 4 | 3201-1270 | Plug | 2 | Pc. |
| 5 | 1114-0028 | Threaded bushing 8xM6x38 | 2 | Pc. |
| 6 | 3201-1500 | Slider | 2 | Pc. |
| 7 | 1029-0612 | Button head socket screw M6x12 | 4 | Pc. |
| 8 | 3201-1240 | Axle stump | 2 | Pc. |
| 9 | 3211-1213E-xxx | Axle tube DURO size 1 with lock rod retainer | 1 | Pc. |
| | 3212-1213E-xxx | Axle tube DURO size 2 with lock rod retainer | 1 | Pc. |
| 10-16 | 3201-1280E | Connector | 2 | Pc. |
| 11 | 1052-0008 | Spring washer B8 | 1 | Pc. |
| 12 | 1051-0008 | Washer A8,4 | 2 | Pc. |
| 13 | 1029-0845 | Button head socket screw M8x45 | 2 | Pc. |
| 14 | 3201-1281 | Stabilizer | 2 | Pc. |
| 15 | 1039-0006 | Tapping screw with countersunk head | 2 | Pc. |
| 16 | 1039-0001 | Screw for plastic, cross rcessed pan head w. flange 4x10 | 4 | Pc. |
| 17 | 3211-1214 | Fold stop, DURO | 1 | Pc. |
| 18 | 1055-0004 | Washer A4,3 | 1 | Pc. |
| 19 | 1063-0416 | Blind rivet S4x16 | 1 | Pc. |
| 20 | 3211-1221-xxx | Parking Break | 1 | Pc. |

Spare parts



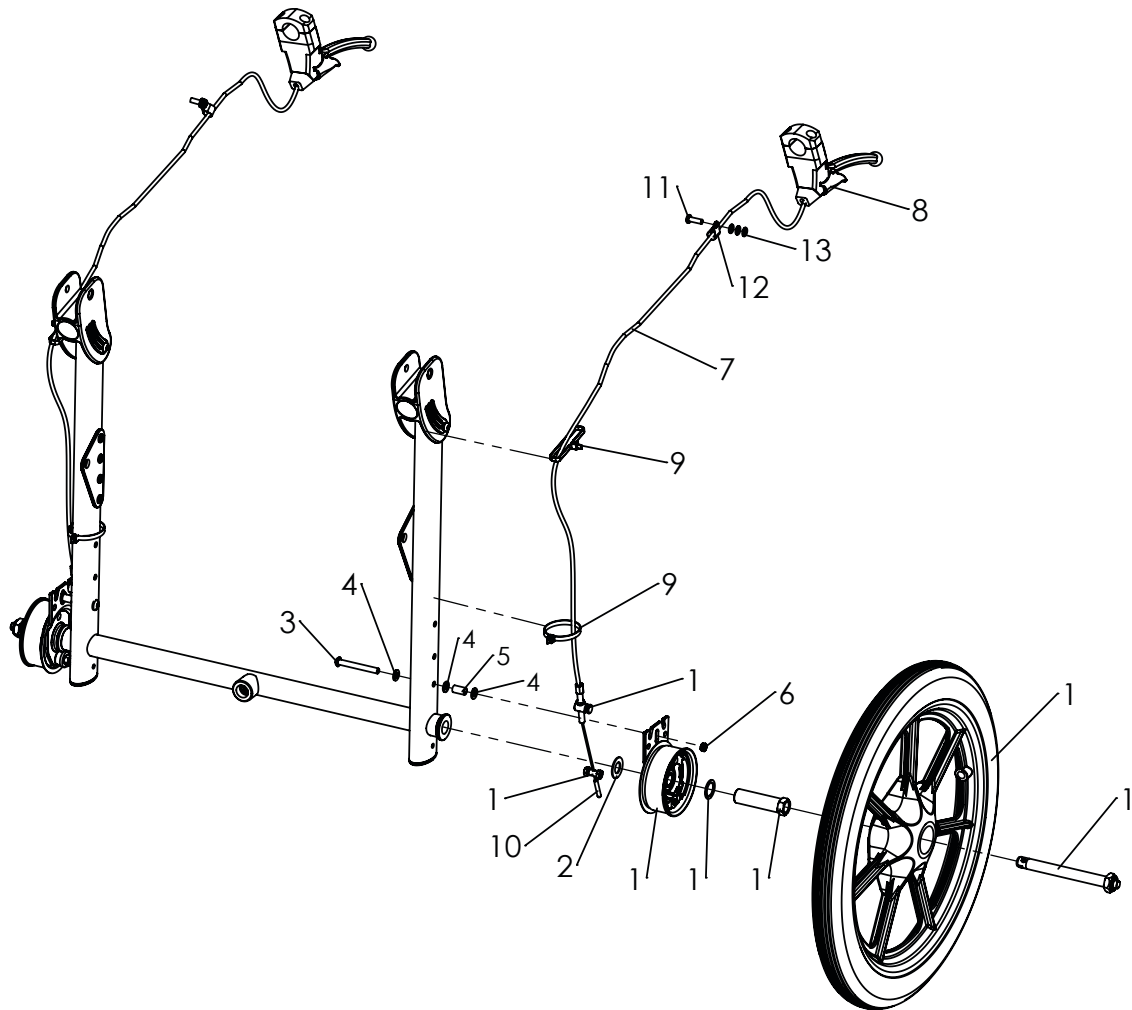
| Pos | Article number | Articel description | Quantity | Unit |
|------------|-----------------------|-------------------------------|----------|------------|
| 1-8 | 3211-1300E-xxx | Break size 1, complete | 1 | Pc. |
| | 3212-1300E-xxx | Break size 2, complete | 1 | Pc. |
| 1 | 3211-1311-xxx | Break rod DURO size 1 | 1 | Pc. |
| | 3212-1311-xxx | Break rod DURO size 2 | 1 | Pc. |
| 2 | 3201-1320 | Wheel lock rod retainer | 1 | Pc. |
| 3 | 1062-0408 | Blind rivet F4x8 | 2 | Pc. |
| 4 | 3201-1340 | Slide insert | 2 | Pc. |
| 5 | 3201-1310 | Wheel lock lever | 1 | Pc. |
| 6 | 3201-1350 | Lock pin, left | 1 | Pc. |
| 7 | 3201-1360 | Lock pin right | 1 | Pc. |
| 8 | 1131-0034 | Compression spring D-180Q-03 | 2 | Pc. |

Spare parts



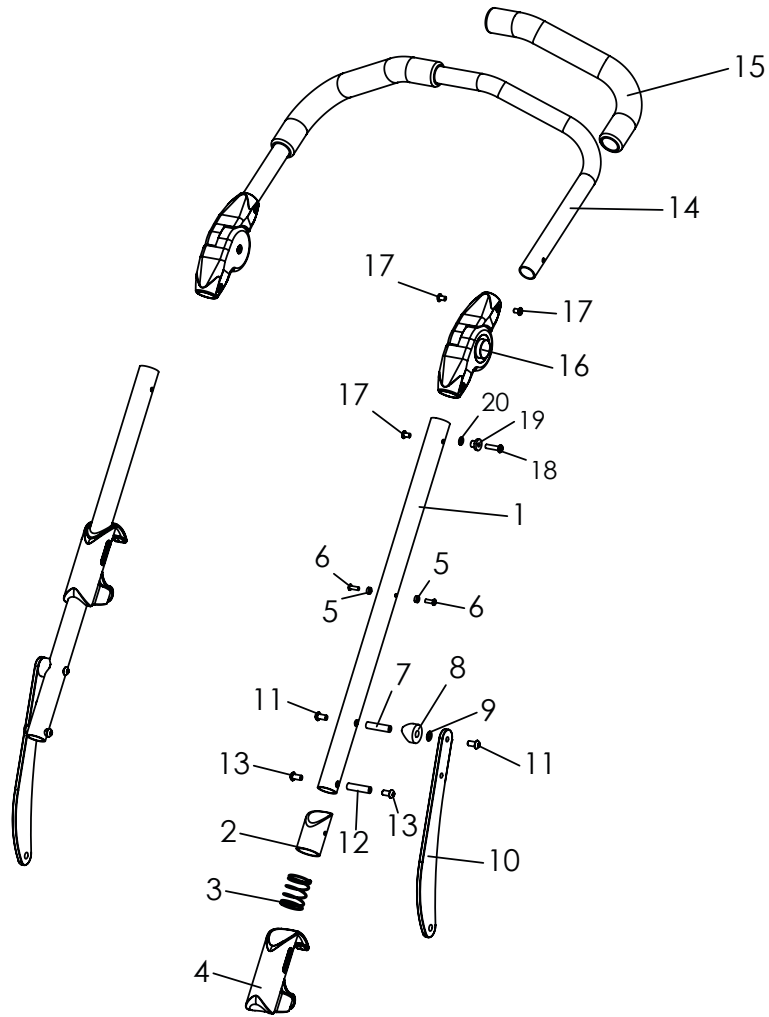
| Pos | Article number | Articel description | Quantity | Unit |
|------|----------------|--|----------|------|
| 1-10 | 3214-1200E-xxx | Rear frame DURO Cross, Drumbreak size 1 | 1 | Pc. |
| | 3215-1200E-xxx | Rear frame DURO Cross, Drumbreak size 2 | 1 | Pc. |
| 1-6 | 3214-1210E-xxx | Rear frame DURO Cross, Drumbreak size 1 incl. Gusset plate | 1 | Pc. |
| | 3215-1210E-xxx | Rear frame DURO Cross, Drumbreak size 1 incl. Gusset plate | 1 | Pc. |
| 2 | 3210-1212 | Gusset plate | 2 | Pc. |
| 3 | 1062-0508 | Blind rivet F5x8 | 8 | Pc. |
| 4 | 3211-1214 | Fold stop | 1 | Pc. |
| 5 | 1055-0004 | Washer A4,3 | 1 | Pc. |
| 6 | 1063-0416 | Blind rivet S4x16 | 1 | Pc. |
| 7 | 3201-1270 | Plug | 4 | Pc. |
| 8 | 3201-1500 | Slider | 2 | Pc. |
| 9 | 1114-0028 | Threaded bushing 8xM6x38 | 2 | Pc. |
| 10 | 1029-0612 | Button head socket screw M6x12 | 4 | Pc. |

Spare parts



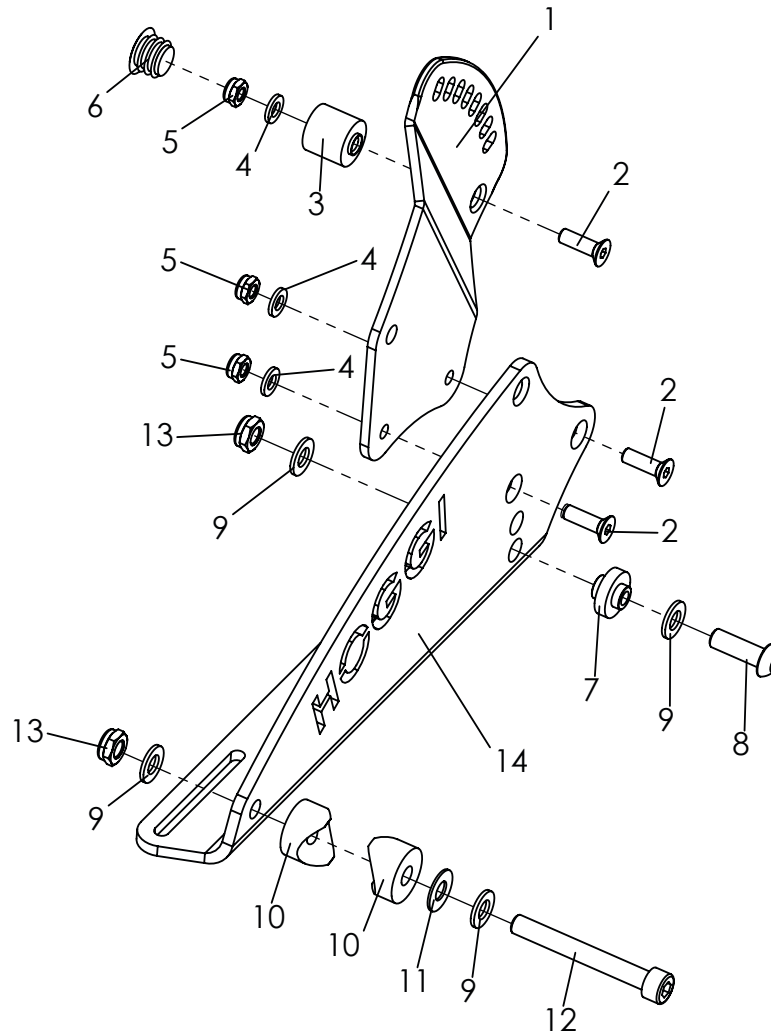
| Pos | Article number | Articel description | Quantity | Unit |
|-----|----------------|--|----------|------|
| 1 | 1219-0040 | Pneumatic wheel black 16 x 1,75", black 5 spoke, drum brake left side | 1 | Pc. |
| | 1219-0041 | Pneumatic wheel black 16 x 1,75", black 5 spoke, drum brake right side | 1 | Pc. |
| | 1229-0040 | PU-wheel black 400x40, black 5 spoke, drum brake left side | 1 | Pc. |
| | 1229-0041 | PU-wheel black 400x40, black 5 spoke, drum brake right side | 1 | Pc. |
| 2 | 1052-0012 | Spring washer B12 | 2 | Pc. |
| 3 | 1029-0650 | Button head socket screw M6x50 | 2 | Pc. |
| 4 | 1051-0006 | Washer A6,4 | 6 | Pc. |
| 5 | 1114-0018 | Bushing 8x0,8x14,5 | 2 | Pc. |
| 6 | 1049-0066 | BILOC-nut M6 | 2 | Pc. |
| 7 | 1209-0001 | Bowden wire set 1,5m cable | 2 | Pc. |
| 8 | 1209-0008 | Brake lever 80° manually locking 22 mm (for push-bar) | 2 | Pc. |
| 9 | 1089-0004 | Cable tie, black, 5x180 | 2 | Pc. |
| 10 | 1209-0007 | End cap aluminium for Bowden cable wire | 2 | Pc. |
| 11 | 1062-0516 | Blind rivet F5x16 | 2 | Pc. |
| 12 | 1149-0003 | Cable clip d 6,4 / 8 mm, black | 2 | Pc. |
| 13 | 1051-0005 | Washer A5,3 | 6 | Pc. |

Spare parts



| Pos | Article number | Articel description | Quantity | Unit |
|------|-----------------------|------------------------------------|----------|------------|
| 1-17 | 3211-1400E-xxx | Push bar DURO size 1 | 1 | Pc. |
| | 3212-1400E-xxx | Push bar DURO size 2 | 1 | Pc. |
| 1 | 3211-1411-xxx | Push handle bottom part DURO | 2 | Pc. |
| 2 | 3201-1440 | Sliding sleeve | 2 | Pc. |
| 3 | 1131-0033 | Compression spring Vd-232f | 2 | Pc. |
| 4 | 3201-1430 | Folding safety device | 2 | Pc. |
| 5 | 1112-0010 | Spacer PA black 8x4,3x3 | 4 | Pc. |
| 6 | 1062-0412 | Blind rivet F4x12 | 4 | Pc. |
| 7 | 1114-0065 | Threaded bushing 8xM6x33,2 | 2 | Pc. |
| 8 | 1111-0011 | Saddle washer PA black 24x8.4x8 | 2 | Pc. |
| 9 | 1052-0006 | Spring washer B6 | 2 | Pc. |
| 10 | 3213-1410-xxx | Support lever | 2 | Pc. |
| 11 | 1029-0612 | Button head socket screw M6x12 | 4 | Pc. |
| 12 | 1114-0027 | Threaded bushing 8xM6x32 | 2 | Pc. |
| 13 | 1029-0612 | Button head socket screw M6x12 | 4 | Pc. |
| 14 | 3211-1421-xxx | Push handle upper part DURO size 1 | 1 | Pc. |
| | 3212-1421-xxx | Push handle upper part DURO size 2 | 1 | Pc. |
| 15 | 1143-0001 | Handle grip black | 2 | Pc. |
| 16 | 1129-0009 | Ratchet joint 25x22 | 1 | Pair |
| 17 | 1069-0003 | Blind rivet F5x8 | 7 | Pc. |
| 18 | 1062-0520 | Blind rivet F5x20 | 1 | Pc. |
| 19 | 3231-1432 | Shoulder bushing black | 1 | Pc. |
| 20 | 1051-0005 | Washer A5,3 | 1 | Pc. |

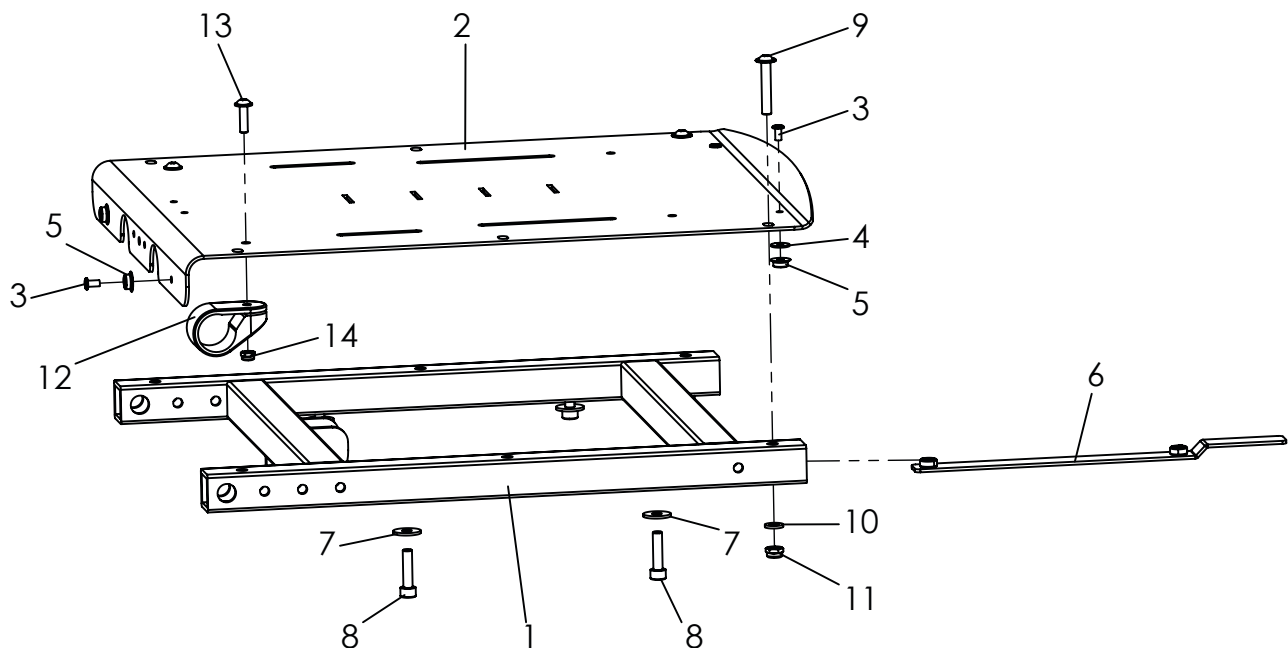
Spare parts



| Pos | Article number | Articel description | Quantity | Unit |
|------|-----------------------|--|----------|------------|
| 1-13 | 3211-1501-022 | Seat and backrest retainer DURO, left, signal white, picture | 1 | Pc. |
| | 3211-1501-XXX* | Seat and backrest retainer DURO, right | 1 | Pc. |
| | 3211-1502-022 | Seat and backrest retainer DURO, right, signal white, picture | 1 | Pc. |
| | 3211-1502-XXX* | Seat and backrest retainer DURO, right | 1 | Pc. |
| 1 | 3211-1512-007 | Backrest retainer, left | 1 | Pc. |
| | 3211-1522-007 | Backrest retainer, right | 1 | Pc. |
| 2 | 1024-0620 | Hexagon socket countersunk head screw M6x20 | 3 | Pc. |
| 3 | 3211-1514-007 | Stop block for DURO backrest recline | 1 | Pc. |
| 4 | 1051-0006 | Washer A6,4 | 3 | Pc. |
| 5 | 1042-0006 | Hexagon nut self-locking M6 | 3 | Pc. |
| 6 | 1141-0006 | Ribbed insert SFL 20x0,8-2,5 | 1 | Pc. |
| 7 | 3211-1721 | Support bracket bushing, seat | 1 | Pc. |
| 8 | 1029-0825 | Button head socket screw M8x25 | 1 | Pc. |
| 9 | 1051-0008 | Washer A8,4 | 4 | Pc. |
| 10 | 1111-0011 | Saddle washer PA black 24x8.4x8 | 2 | Pc. |
| 11 | 1113-0003 | Washer PA 18x8,4x1 black | 1 | Pc. |
| 12 | 1021-0865 | Hexagon socket head cap screw M8x65 | 1 | Pc. |
| 13 | 1042-0008 | Hexagon nut self-locking 985 M8 | 2 | Pc. |
| 14 | 3211-1741-022 | Support bracket, left, signal white, picture | 1 | Pc. |
| | 3211-1741-XXX* | Support bracket, left | 1 | Pc. |
| | 3211-1751-022 | Support bracket, right, signal white, picture | 1 | Pc. |
| | 3211-1751-XXX* | Support bracket, right | 1 | Pc. |

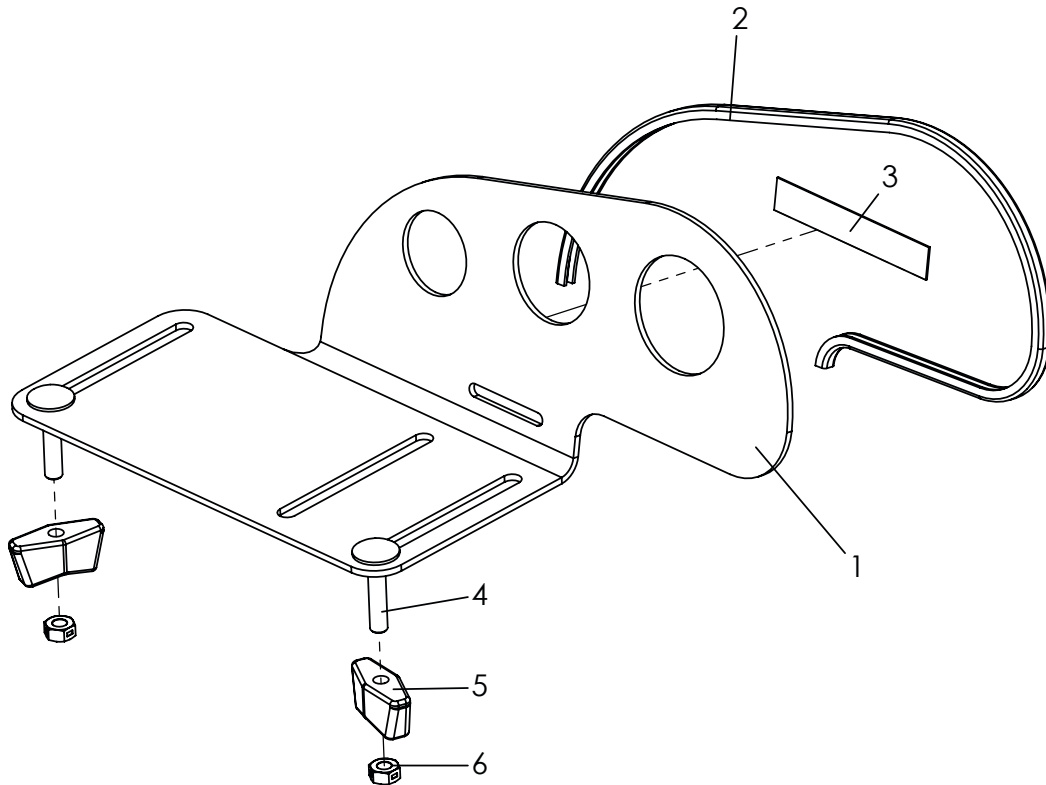
*For color options see page 18.

Spare parts



| Pos | Article number | Articel description | Quantity | Unit |
|------|-----------------------|--|----------|------------|
| 1-14 | 3211-1700E-xxx | Seat surface DURO size 1 | 1 | Pc. |
| | 3212-1700E-xxx | Seat surface DURO size 2 | 1 | Pc. |
| 1 | 3211-1710-xxx | Seat frame size 1 | 1 | Pc. |
| | 3212-1710-xxx | Seat frame size 2 | 1 | Pc. |
| 2-5 | 3211-1731E-xxx | Seat plate, size 1 | 1 | Pc. |
| | 3212-1731E-xxx | Seat plate, size 2 | 1 | Pc. |
| 3 | 1062-0408 | Blind rivet F4x8 | 4 | Pc. |
| 4 | 1055-0004 | Washer A4,3 zp DIN/ISO 902A4,3 | 2 | Pc. |
| 5 | 1533-0005 | Ring-ball part DRK 95B | 4 | Pc. |
| 6 | 3211-1715 | Threaded plate with a bend | 2 | Pc. |
| 7 | 1055-0006 | Washer A6,4 | 4 | Pc. |
| 8 | 1021-0625 | Hexagon socket head cap screw M6x25 | 4 | Pc. |
| 9 | 1030-0635 | Button head socket screw with flange M6x35 | 2 | Pc. |
| 10 | 1051-0006 | Washer A6,4 | 2 | Pc. |
| 11 | 1042-0006 | Hexagon nut self-locking M6 | 2 | Pc. |
| 12 | 3245-3311 | Gripper clamp | 2 | Pc. |
| 13 | 1030-0518 | Button head socket screw with flange M5x18 | 2 | Pc. |
| 14 | 1042-0005 | Hexagon nut self-locking M5 | 2 | Pc. |

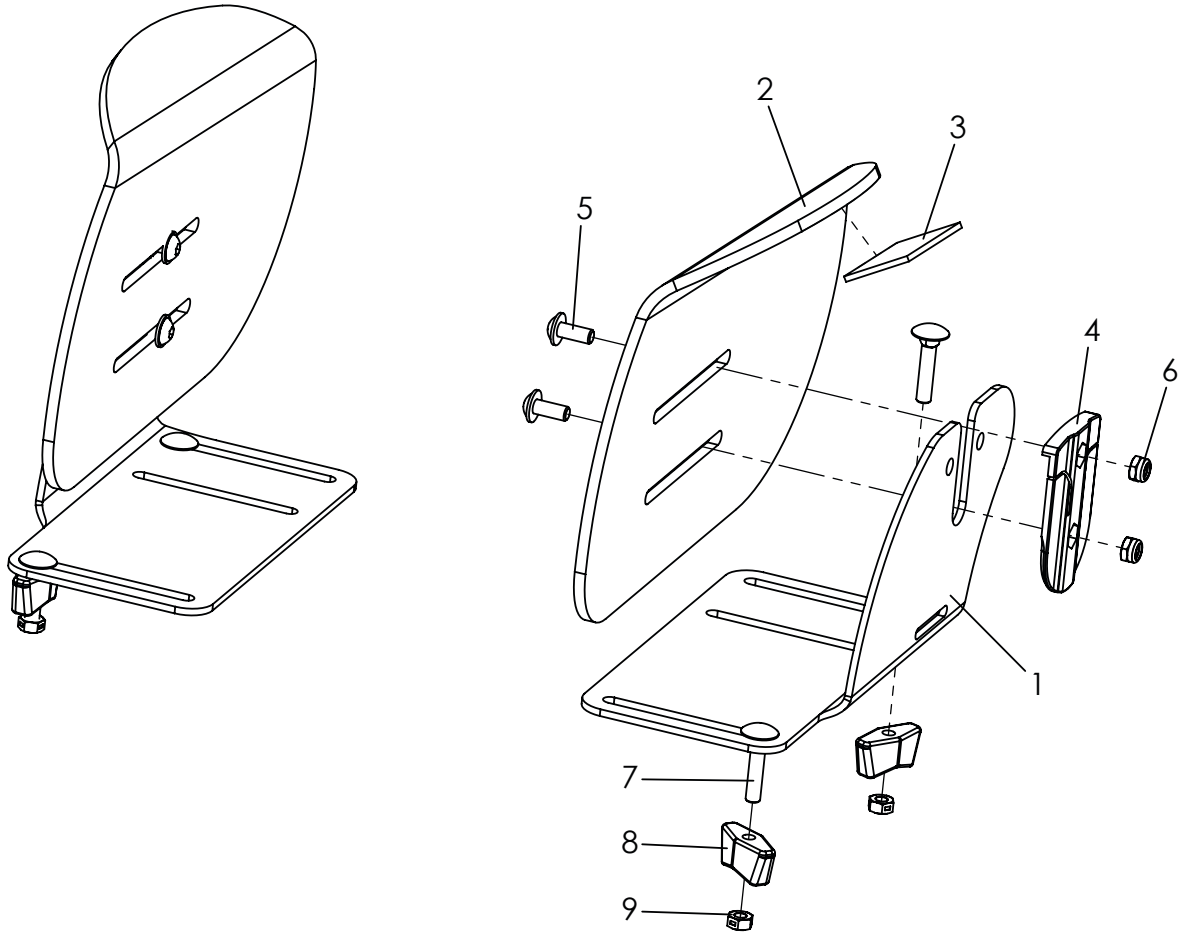
Spare parts



| Pos | Article number | Articel description | Quantity | Unit |
|-----|-------------------|---|----------|------------|
| 1-6 | 3231-2901E | Pelotte thigh support, size 1, left, picture | 1 | Pc. |
| | 3231-2902E | Pelotte thigh support, size 1, right | 1 | Pc. |
| | 3233-2901E | Pelotte thigh support, size 2, left | 1 | Pc. |
| | 3233-2902E | Pelotte thigh support, size 2, right | 1 | Pc. |
| 1-3 | 3231-2911E | Pelotte thigh support, size 1, left | 1 | Pc. |
| | 3231-2912E | Pelotte thigh support, size 1, right | 1 | Pc. |
| | 3233-2911E | Pelotte thigh support, size 2, left | 1 | Pc. |
| | 3233-2912E | Pelotte thigh support, size 2, right | 1 | Pc. |
| 2 | 1144-0001 | KS-Profil PVC | 1 | Pc. |
| 3 | 1501-0003 | Hook strap black 25mm | 1 | Pc. |
| 4 | 1026-0525 | Mushroom head square neck bolt M5x25 | 2 | Pc. |
| 5 | 1123-0500 | Wing nut PA black M5 | 2 | Pc. |
| 6 | 1049-0066 | BILOC-nut M5 | 2 | Pc. |

For pelotte thigh Upholstery see page 18.

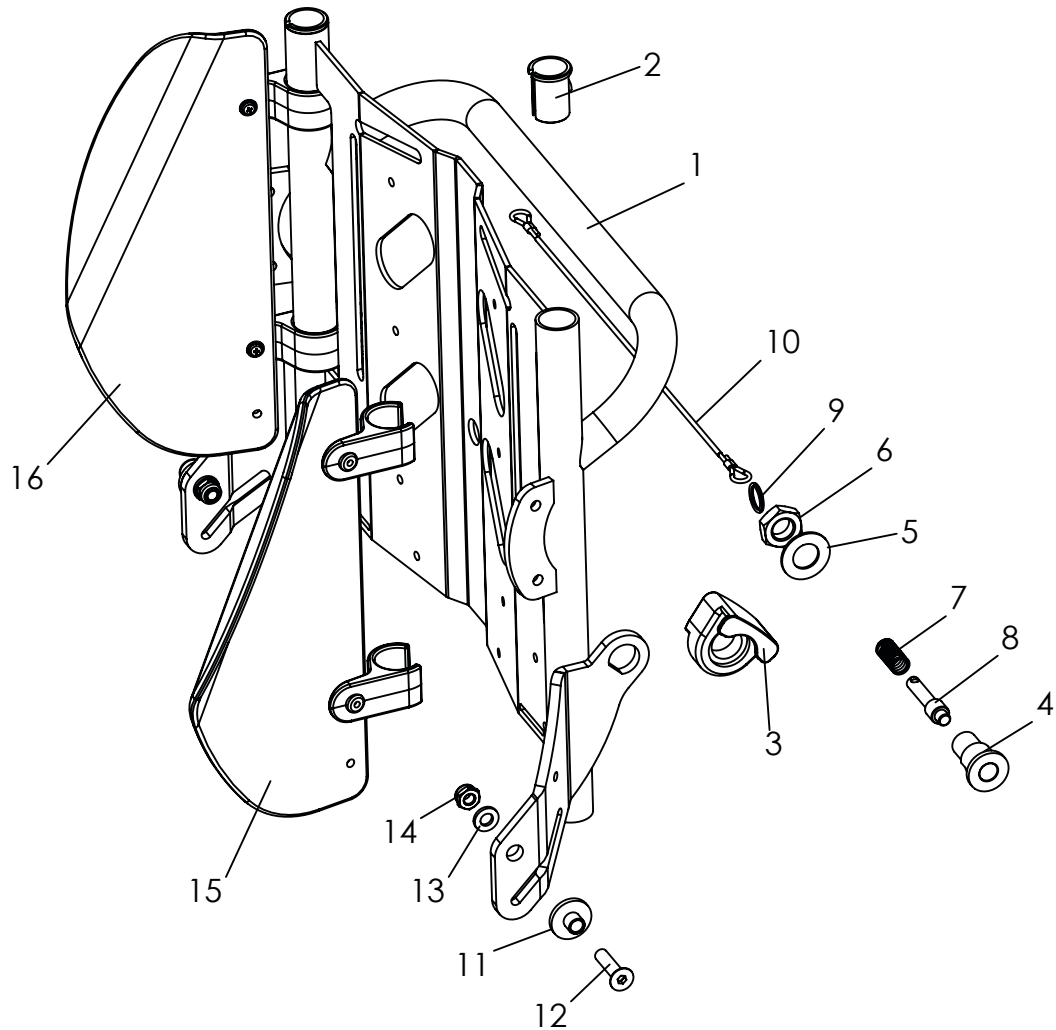
Spare parts



| Pos | Article number | Articel description | Quantity | Unit |
|------------|-------------------|--|----------|------------|
| 1-9 | 3231-2602E | Hip support right size 1 | 1 | Pc. |
| | 3231-2601E | Hip support left size 1 | 1 | Pc. |
| | 3233-2602E | Hip support right size 2 | 1 | Pc. |
| | 3233-2601E | Hip support left size 2 | 1 | Pc. |
| 1 | 3231-2612-032 | Bracket for hip supports, right, size 1, black dull matt | 1 | Pc. |
| | 3231-2611-032 | Bracket for hip supports, left, size 1, black dull matt | 1 | Pc. |
| 2-3 | 3231-2623E | Hip support formed part, right, size 1 with velcro | 1 | Pc. |
| | 3231-2621E | Hip support formed part, left, size 1 with velcro | 1 | Pc. |
| | 3233-2623E | Hip support formed part, right, size 2 with velcro | 1 | Pc. |
| | 3233-2621E | Hip support formed part, left, size 2 with velcro | 1 | Pc. |
| 3 | 1501-0003 | Hook strap black 25mm | 2 | Pc. |
| 4 | 3231-2622 | Locking hinge | 2 | Pc. |
| 5 | 1030-0512 | Button head socket screw with flange M5x12 | 4 | Pc. |
| 6 | 1042-0005 | Hexagon nut self-locking M5 | 4 | Pc. |
| 7 | 1026-0525 | Mushroom head square neck bolt M5x25 | 4 | Pc. |
| 8 | 1123-0500 | Wing nut PA black M5 | 4 | Pc. |
| 9 | 1049-0066 | BILOC-nut M5 | 4 | Pc. |

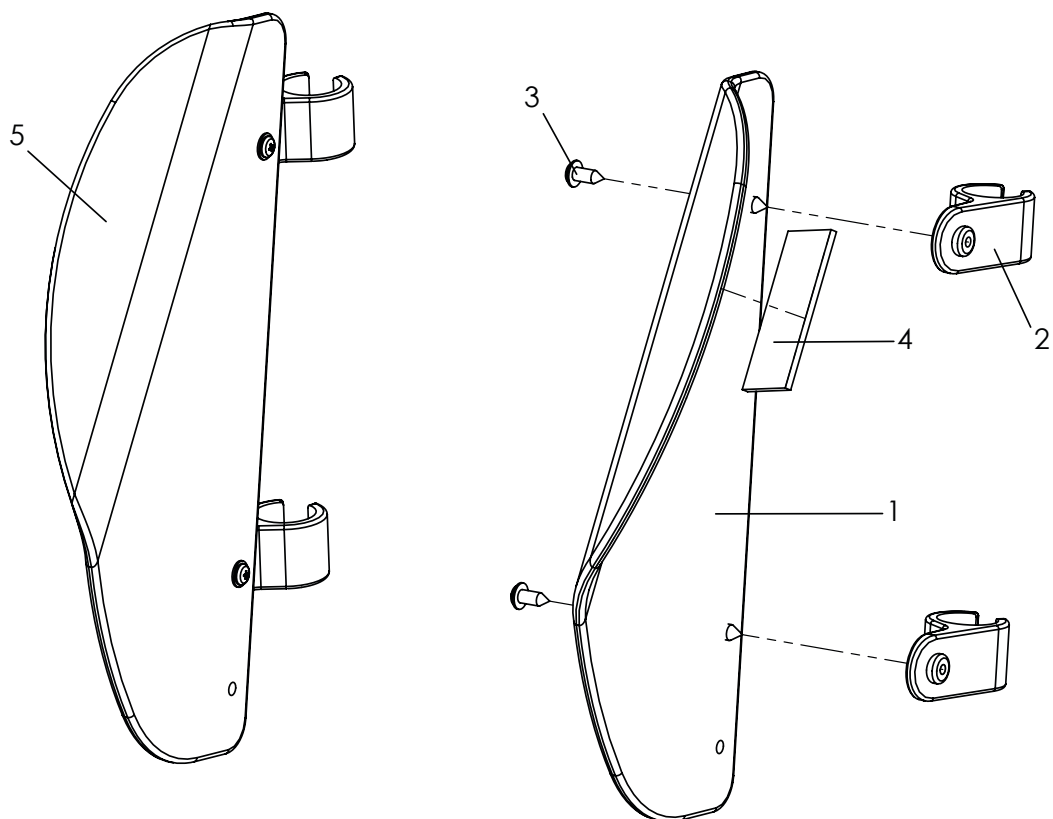
For hip upholstery see page 18.

Spare parts



| Pos | Article number | Articel description | Quantity | Unit |
|-------------|-----------------------|---|----------|------------|
| 1-14 | 3211-2300E-xxx | Back base Duro size 1 | 1 | Pc. |
| | 3212-2300E-xxx | Back inserte Duro size 2 | 1 | Pc. |
| 1-2 | 3211-2310E-xxx | Back base DURO size 1, with bushing guide | 1 | Pc. |
| | 3212-2310E-xxx | Back base DURO size 2, with bushing guide | 1 | Pc. |
| 2 | 3211-2323 | Busching guide for back insert | 2 | Pc. |
| 3 | 3231-2322 | Back guidance | 2 | Pc. |
| 4 | 3231-2321 | Locking bolt housing | 2 | Pc. |
| 5 | 1052-0012 | Spring washer B12 | 2 | Pc. |
| 6 | 1040-0012 | Hexagon nut M12 | 2 | Pc. |
| 7 | 1131-0036 | Compression spring D-127d | 2 | Pc. |
| 8 | 3201-7530 | Lock pin | 2 | Pc. |
| 9 | 1129-0036 | Key ring 16x1,6 | 2 | Pc. |
| 10 | 3211-2325 | Release cable for DURO backrest recline size 1 | 1 | Pc. |
| | 3212-2325 | Release cable for DURO backrest recline size 2 | 1 | Pc. |
| 11 | 3211-2321 | Bearing bushing, back base | 2 | Pc. |
| 12 | 1024-0625 | Hexagon socket countersunk head screw M6x25 | 2 | Pc. |
| 13 | 1051-0006 | Washer A6,4 | 2 | Pc. |
| 14 | 1042-0006 | Hexagon nut self-locking M6 | 2 | Pc. |
| 15 | 3211-2710E | Lateral support, left, (parts list, see next page) | | |
| 16 | 3211-2020E | Lateral support, right, (parts list, see next page) | | |

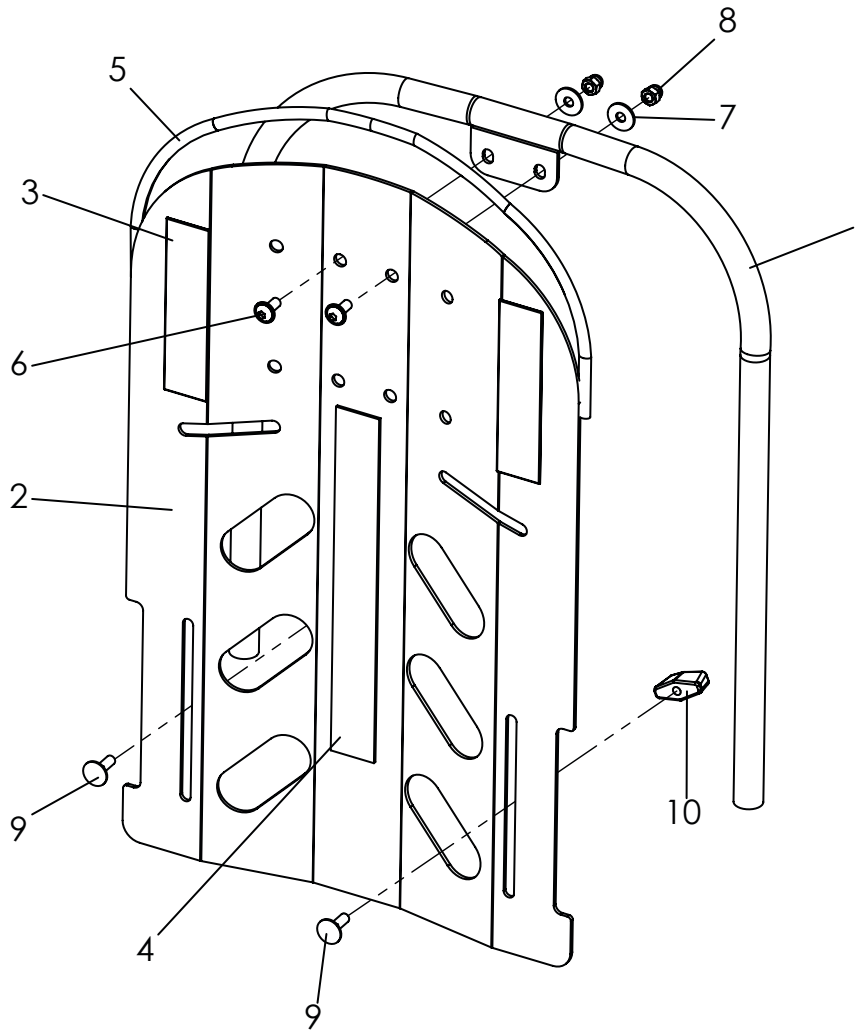
Spare parts



| Pos | Article number | Articel description | Quantity | Unit |
|-----|----------------|--|----------|------|
| 1-4 | 3211-2710E | Lateral support left size 1, complete | 1 | Pc. |
| | 3212-2710E | Lateral support left size 2, complete | 1 | Pc. |
| 2-5 | 3211-2720E | Lateral support right size 1, complete | 1 | Pc. |
| | 3212-2720E | Lateral support right size 2, complete | 1 | Pc. |
| 1 | 3201-2711 | Formed part, left, size 1 | 1 | Pc. |
| | 3203-2711 | Formed part, left, size 2 | 1 | Pc. |
| 2 | 3211-2712 | Pad hinge | 2 | Pc. |
| 4 | 1501-0003 | Velcro fastener 25x100mm | 1 | Pc. |
| 5 | 3201-2721 | Formed part, right, size 1 | 1 | Pc. |
| | 3203-2721 | Formed part, right, size 2 | 1 | Pc. |

For Lateral upholstery, see page 18.

Spare parts



| Pos | Article number | Articel description | Quantity | Unit |
|-----|-----------------------|--|----------|------------|
| 1-8 | 3211-2800E-xxx | Back insert DURO, size 1, complete | 1 | Pc. |
| | 3212-2800E-xxx | Back insert DURO, size 2 , complete | 1 | Pc. |
| 1 | 3211-2810-xxx | Back frame DURO, size 1 | 1 | Pc., |
| | 3212-2810-xxx | Back frame DURO size 2 | 1 | Pc., |
| 2-5 | 3201-2822E-xxx | Back panel size 1 | 1 | Pc., |
| | 3203-2822E-xxx | Back panel size 2 | 1 | Pc., |
| 3 | 1501-0003 | Hook strap self adhesive 25x50 | 1 | Pc., |
| 4 | 1501-0003 | Hook strap self adhesive 25x200 | 1 | Pc., |
| 5 | 1144-0001 | KS-Profil PVC | 1 | Pc., |
| 6 | 1030-0512 | Button head socket screw M5x12 | 2 | Pc., |
| 7 | 1055-0005 | Washer A5,3 | 2 | Pc., |
| 8 | 1044-0005 | Hexagonal domed cap nut self-locking M5 | 2 | Pc., |
| 9 | 1026-0516 | Mushroom head square neck bolt M5x16 | 2 | Pc., |
| 10 | 1123-0500 | Wing nut PA black M5 | 2 | Pc., |

Spare parts

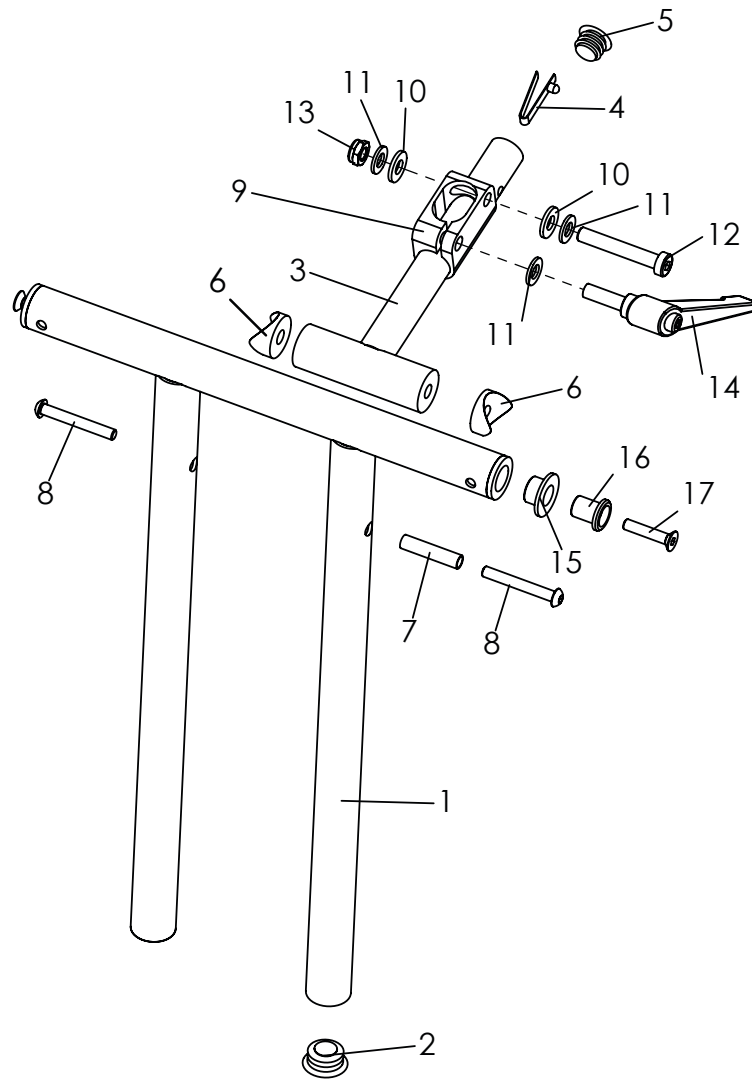


| Pos | Article number | Articel description | Quantity | Unit |
|-----|----------------------|---|----------|------------|
| 1-3 | 3211-5100-xxx | Duro upholstery size 1 | 1 | Pc. |
| | 3212-5100-xxx | Duro upholstery size 2 | 1 | Pc. |
| 1 | 3231-5120-xxx | Back upholstery size 1 | 1 | Pc. |
| | 3235-5120-xxx | Back upholstery size 2 | 1 | Pc. |
| 2 | 3201-5160-xxx | Lateral upholstery size 1 | 1 | Pair |
| | 3235-5160-xxx | Lateral upholstery size 2 | 1 | Pair |
| 3 | 3211-5140-xxx | Seat upholstery size 1 | 1 | Pc. |
| | 3212-5140-xxx | Seat upholstery size 2 | 1 | Pc. |
| 4 | 3231-2920-323 | Upholstery thigh support size 1, iron grey | 1 | Pair |
| | 3233-2920-323 | Upholstery thigh support size 2, iron grey | 1 | Pair |
| 5 | 3201-5150-xxx | Hip upholstery size 1 | 1 | Pair |
| | 3203-5150-xxx | Hip upholstery size 2 | 1 | Pair |
| 6 | 3211-1741E-022 | Support bracket, left in standard colour, signal white | 1 | Pc. |
| | 3211-1741E-xxx | Support bracket, left | 1 | Pc. |
| | 3211-1751-022 | Support bracket, right in standard colour, signal white | 1 | Pc. |
| | 3211-1751-xxx | Support bracket, left in standard colour, signal white | 1 | Pc. |

By order, replace **xxx** with colour code.

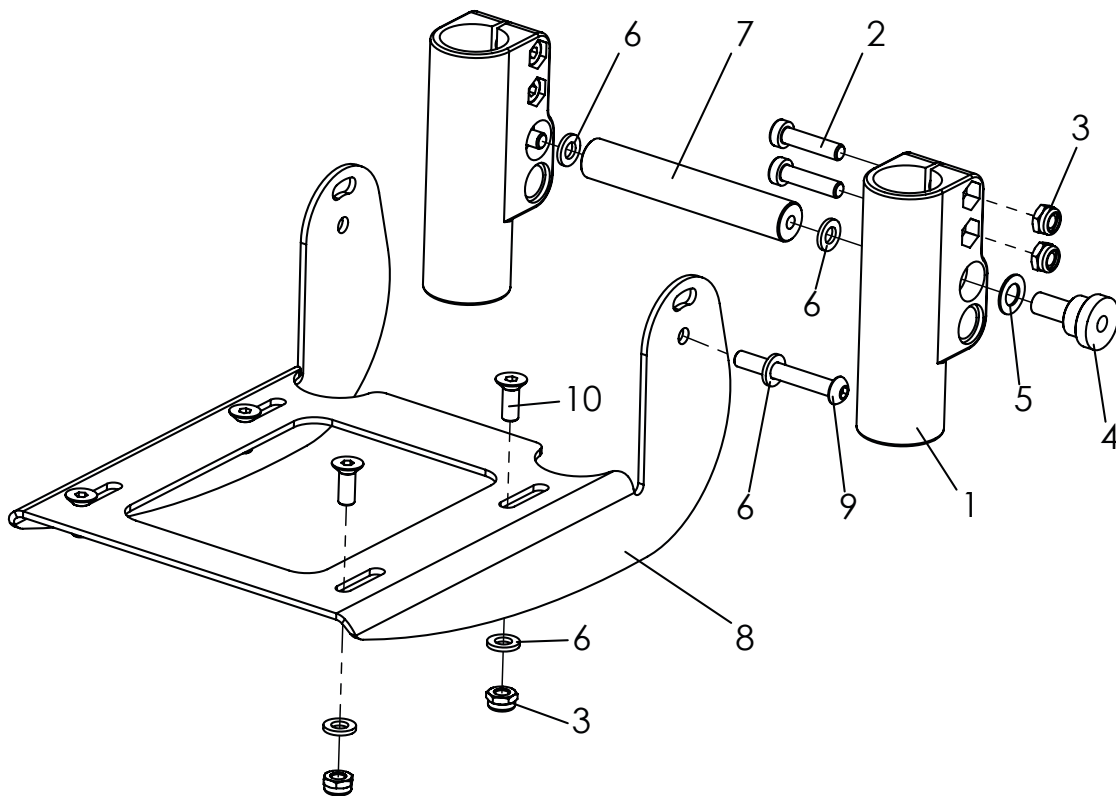
| | | | | |
|-----------------|----------------------|-----------------|--------------------------|----------------|
| 338 | 339 | 340 | 344 | 345 |
| sand / irongrey | turquoise / irongrey | pink / irongrey | black diamond / irongrey | red / irongrey |

Spare parts



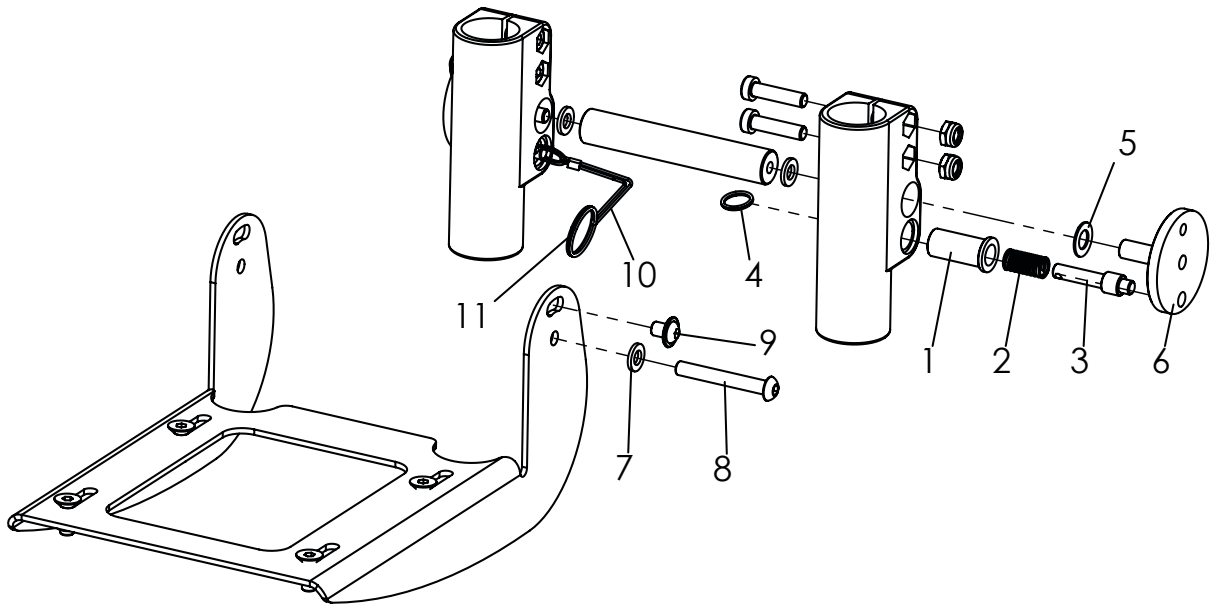
| Pos | Article number | Articel description | Quantity | Unit |
|------|----------------|---|----------|------|
| 1-17 | 3211-2400E-xxx | Footrest hanger DURO size 1 | 1 | Pc. |
| | 3212-2400E-xxx | Footrest hanger DURO size 2 | 1 | Pc. |
| 1 | 3211-2410-xxx | Bracket for footrest hanger Duro size 1 | 1 | Pc. |
| | 3212-2410-xxx | Bracket for footrest hanger Duro size 2 | 1 | Pc. |
| 2 | 1141-0009 | Ribbed insert SFL 25x1-2,5 | 2 | Pc. |
| 3 | 3211-2420-007 | Adjustment brase DURO black anodized | 1 | Pc. |
| 4 | 1134-0005 | Snap button A 102 | 2 | Pc. |
| 5 | 1141-0006 | Ribbed insert SFL 20x0,8-2,5 | 1 | Pc. |
| 6 | 1111-0012 | Saddle washer PA black 24x8.4x3 | 2 | Pc. |
| 7 | 1114-0047 | Bushing steel zp 8x0,9x35 | 1 | Pc. |
| 8 | 1029-0645 | Button head socket screw M6x45 | 2 | Pc. |
| 9 | 3211-2441-007 | Clamping block | 1 | Pc. |
| 10 | 1113-0035 | Washer PA 18x8,4x2 black | 2 | Pc. |
| 11 | 1051-0008 | Washer A8,4 | 3 | Pc. |
| 12 | 1022-0850 | Hexagon socket head cap screw M8x50 | 1 | Pc. |
| 13 | 1042-0008 | Hexagon nut self-locking M8 | 1 | Pc. |
| 14 | 1121-0825 | Locking lever PA black M8x25 | 1 | Pc. |
| 15 | 3211-2431 | Sholder bushing | 2 | Pc. |
| 16 | 3211-2432 | Sholder axel | 2 | Pc. |
| 17 | 1024-0630 | Hexagon socket countersunk head screw zp DIN/ISO 7991 M6x30 | 2 | Pc. |

Spare parts



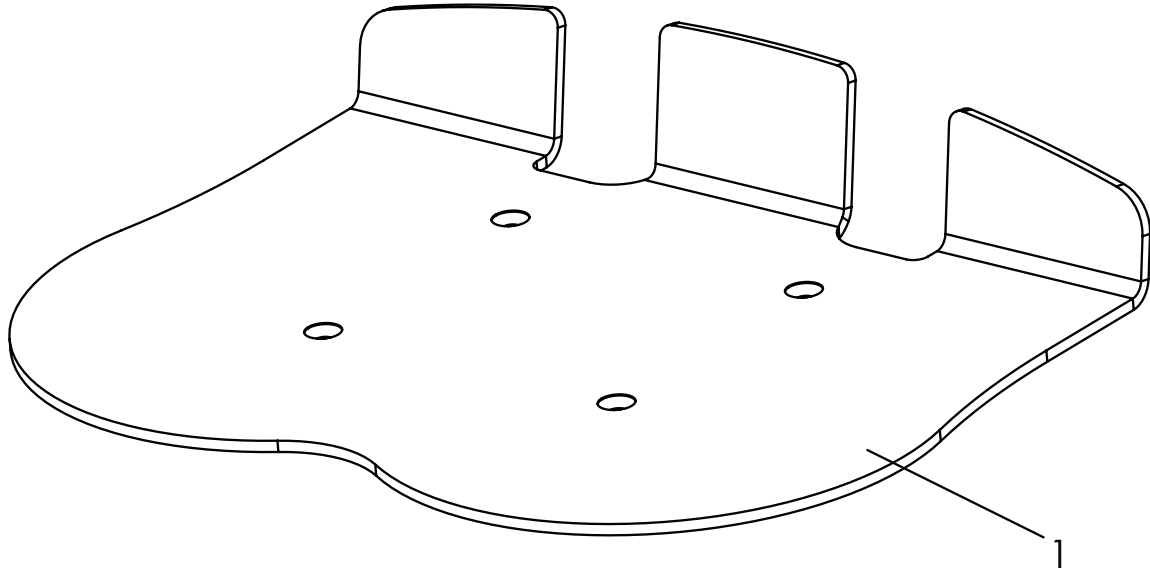
| Pos | Article number | Articel description | Quantity | Unit |
|-------------|-------------------|---|----------|------------|
| 1-10 | 3245-4302E | Foot rest bracket angle adjustable, flip up type | 1 | Pc. |
| 1 | 3245-4321 | Conductor | 2 | Pc. |
| 2 | 1022-0625 | Hexagon socket head cap screw M6x25 | 4 | Pc. |
| 3 | 1042-0006 | Hexagon nut self-locking M6 | 8 | Pc. |
| 4 | 3245-4322 | Bushing | 2 | Pc. |
| 5 | 1052-0008 | Spring washer B8 | 2 | Pc. |
| 6 | 1051-0006 | Washer A6,4 | 8 | Pc. |
| 7 | 3245-4323 | Stabiliser | 1 | Pc. |
| 8 | 3245-4311-015 | Foot rest bracket angle adjustable, flip up type | 1 | Pc. |
| 9 | 1029-0645 | button head socket screw M6x45 | 2 | Pc. |
| 10 | 1024-0616-033 | Hexagon socket countersunk head screw black M6x16 | 4 | Pc. |

Spare parts



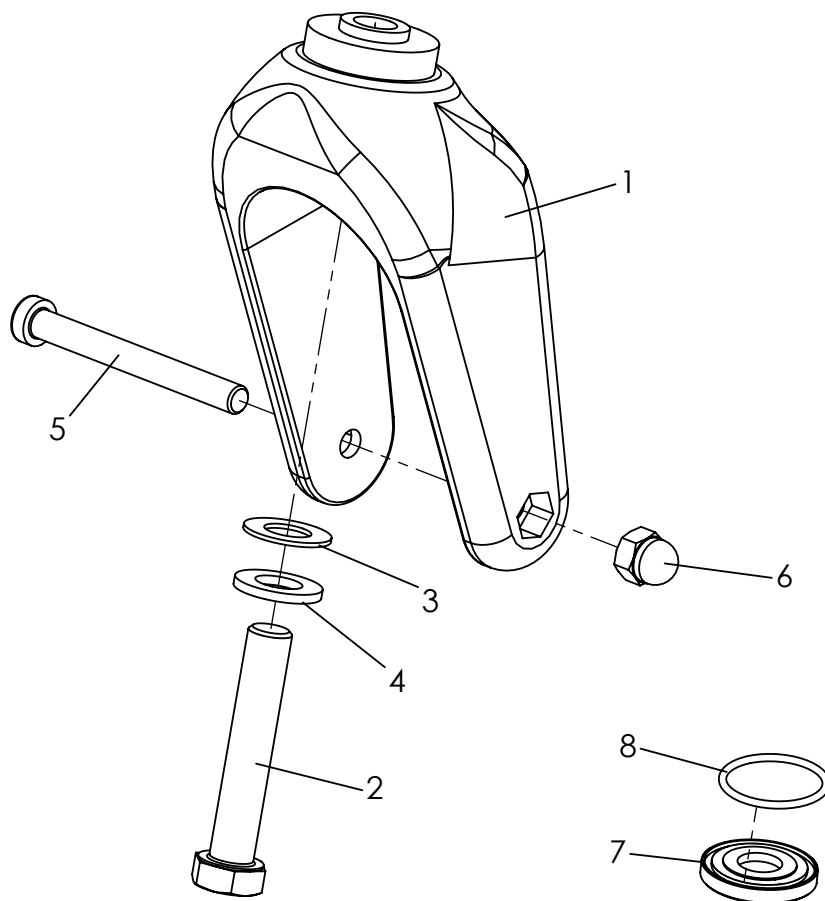
| Pos | Article number | Articel description | Quantity | Unit |
|-------------|-------------------|--|----------|------------|
| 1-17 | 3245-4303E | Foot rest bracket angle adjustable, with interlocking | 1 | Pc. |
| 1 | 3201-7520 | Spring housing | 2 | Pc. |
| 2 | 1131-0036 | Compression spring D-127d | 2 | Pc. |
| 3 | 3201-7530 | Lock pin | 2 | Pc. |
| 4 | 1129-0036 | Key ring 16x1,6 | 2 | Pc. |
| 5 | 1052-0008 | Spring washer B8 | 2 | Pc. |
| 6 | 3245-4341 | Bearing | 2 | Pc. |
| 7 | 1051-0006 | Washer A6,4 | 8 | Pc. |
| 8 | 1029-0645 | Button head socket screw M6x45 | 2 | Pc. |
| 9 | 1030-0608 | Button head socket screw with flange M6x8 | 2 | Pc. |
| 10 | 3245-4342 | Wire rope for foot rest lock | 1 | Pc. |
| 11 | 1129-0003 | Key ring 24x1,5 | 1 | Pc. |

Spare parts



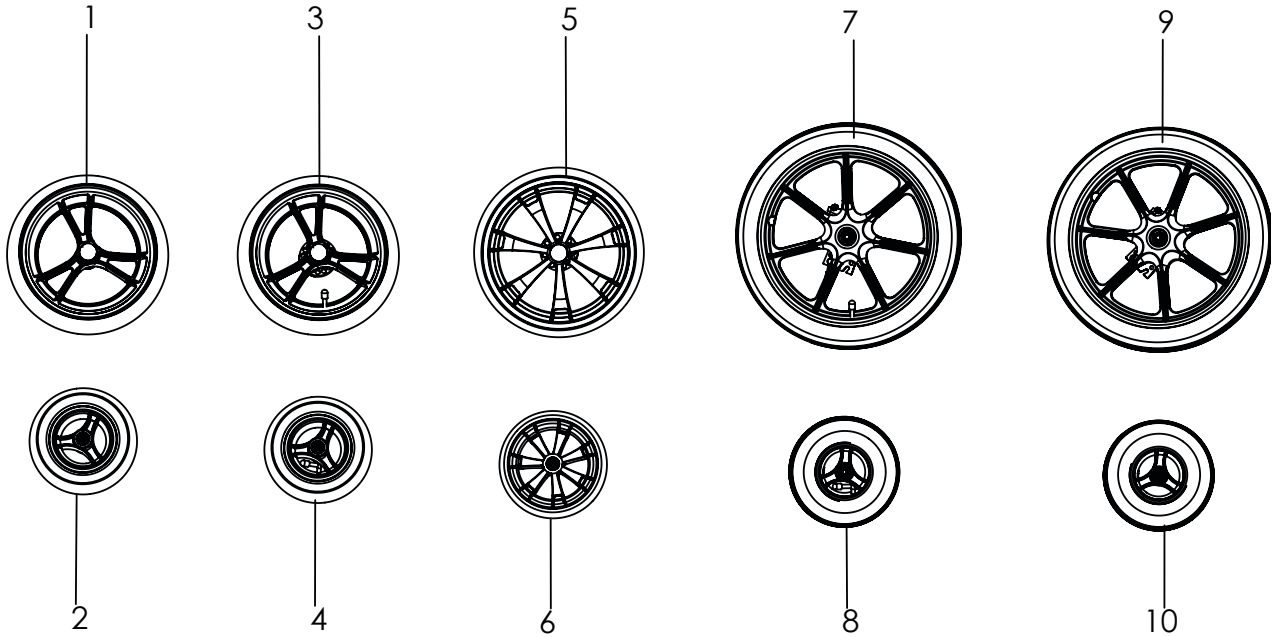
| Pos | Article number | Articel description | Quantity | Unit |
|-----|----------------|--|----------|------|
| 1 | 3245-4528 | Foot rest with heel stop, 26 cm, recommended for size. 1 | 1 | Pc. |
| | 3245-4532 | Foot rest with heel stop, 30 cm, recommended for size. 1 | 1 | Pc. |
| | 3245-4536 | Foot rest with heel stop, 34 cm, recommended for size. 2 | 1 | Pc. |
| | 3245-4540 | Foot rest with heel stop, 38 cm, recommended for size. 2 | 1 | Pc. |

Spare parts



| Pos | Article number | Articel description | Quantity | Unit |
|------------|-------------------|--|----------|------------|
| 1-6 | 1281-0007E | Castor fork with fasteners | 1 | Pc. |
| 1 | 1281-0007 | Castor fork LG-K-200-12 schw 200x60 | 1 | Pc. |
| 2 | 1012-1265 | Hexagon head screw M12x65 | 1 | Pc. |
| 3 | 1051-0012 | Washer 125 A | 1 | Pc. |
| 4 | 1052-0012 | Spring washer B12 | 1 | Pc. |
| 5 | 1022-0875 | Hexagon socket head cap screw M8x75 | 1 | Pc. |
| 6 | 1044-0008 | Hexagonal domed cap nut self-locking M8 | 1 | Pc. |
| 7-8 | 3202-7120E | Sealing for steering fork bearing for two forks | 1 | Set |
| 7 | 3224-1174 | Sealing disc caster fork | 2 | Pc. |
| 8 | 1150-0018 | O-ring 26x2 | 2 | Pc. |

Spare parts

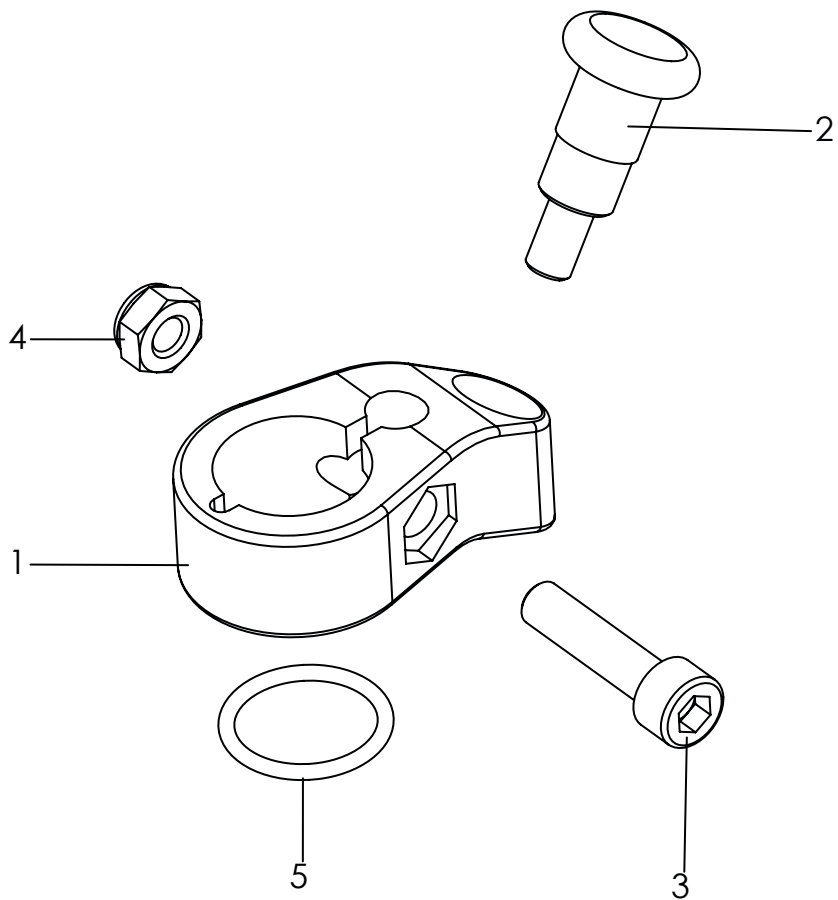


| Pos | Article number | Articel description | Quantity | Unit |
|-----|----------------|--|----------|------|
| 1 | 1221-2961 | PU-wheel 290x60 with break disk and quick release | 2 | Pc. |
| 2 | 1221-1950 | PU-wheel 190x50 | 2 | Pc. |
| 3 | 1211-2961 | Pneumatic wheel 290x60, quick release | 2 | Pc. |
| 4 | 1211-1950 | Pneumatic wheel 190/50 | 2 | Pc. |
| 5 | 1221-3061 | PU-Wheel R300/60, chrome, with break disk | 2 | Pc. |
| | 1221-3063 | PU-Wheel R300/60, ABS black, with break disk | 2 | Pc. |
| 6 | 1221-2048 | PU-Wheel R200/48 chrome rim | 2 | Pc. |
| | 1221-2049 | PU-Wheel R200/48 ABS black | 2 | Pc. |
| 7 | 1219-0040* | Pneumatic wheel black 16 x 1,75", black 5 spoke, drum brake left side | 1 | Pc. |
| | 1219-0041** | pneumatic wheel black 16 x 1,75", black 5 spoke, drum brake right side | 1 | Pc. |
| 8 | 1211-0017 | Pneumatic wheel 190x50 with black 3 spoke | 2 | Pc. |
| 9 | 1229-0040* | PU wheel black 400x40, black 5 spoke, drum brake left side | 1 | Pc. |
| | 1229-0041** | PU wheel black 400x40, black 5 spoke, drum brake right side | 1 | Pc. |
| 10 | 1221-0017 | PU-wheel 190x50 with black 3 spoke | 2 | Pc. |

* Installation Duro Cross, in direction of travel, right.

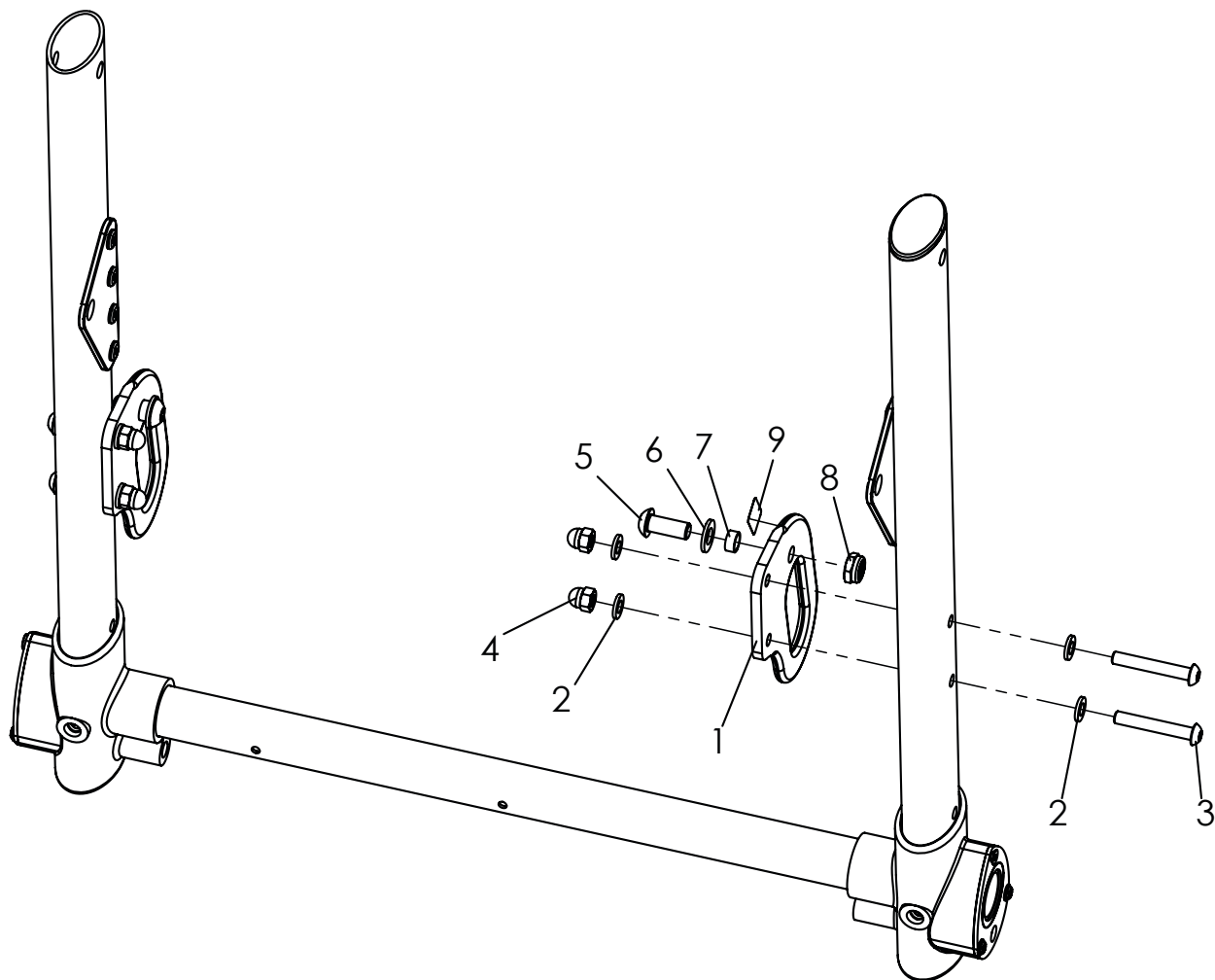
** Installation Duro Cross, in direction of travel, left.

Spare parts



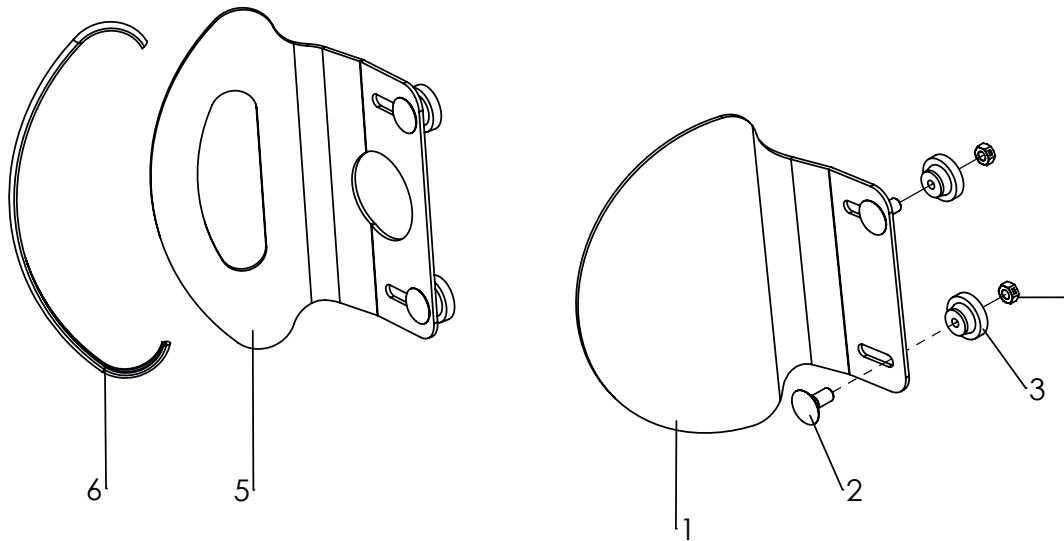
| Pos | Article number | Articel description | Quantity | Unit |
|------------|------------------|---|----------|------------|
| 1-5 | 3202-7100 | Swivel lock, for two castor fork`s | 1 | Set |
| 1 | 3202-7110 | Swivel lock housing | 2 | Pc. |
| 2 | 1127-0009 | Lock pin, with interlocksystem | 2 | Pc. |
| 3 | 1021-0625 | Hexagon socket head cap screw M6x25 | 2 | Pc. |
| 4 | 1042-0006 | Hexagon nut self-locking M6 | 2 | Pc. |
| 5 | 1150-0001 | O-ring NBR 18x2 | 2 | Pc. |

Spare parts



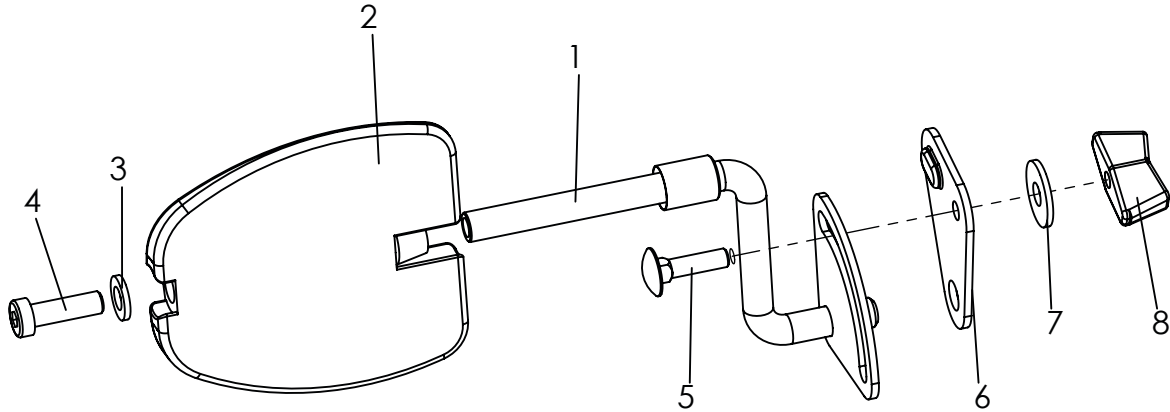
| Pos | Article number | Articel description | Quantity | Unit |
|------------|-----------------------|---|----------|------------|
| 1-9 | 3231-7300E-xxx | Tie down kit | 1 | Set |
| 1-4 | 3231-7311E-xxx | Seat bearing plate with lashing eyes, right | 1 | Pc. |
| | 3231-7312E-xxx | Seat bearing plate with lashing eyes, left | 1 | Pc. |
| 2 | 3231-1516 | Scantlings bearing Mini | 2 | Pc. |
| 3 | 1062-0516 | Blind rivet F5x16 | 4 | Pc. |
| 4 | 1055-0005 | Washer A5,3 | 4 | Pc. |
| 5 | 3201-7350 | Slide bushing | 2 | Pc. |
| 6 | 1051-0008 | Washer A8,4 | 2 | Pc. |
| 7 | 1029-0820 | Button head socket screw M8x20 | 2 | Pc. |
| 8 | 1042-0008 | Hexagon nut self-locking M8 | 2 | Pc. |
| 9 | 1914-0007 | Adhesive lable with hook symbol (4 pcs.) | 1 | Pc. |

Spare parts



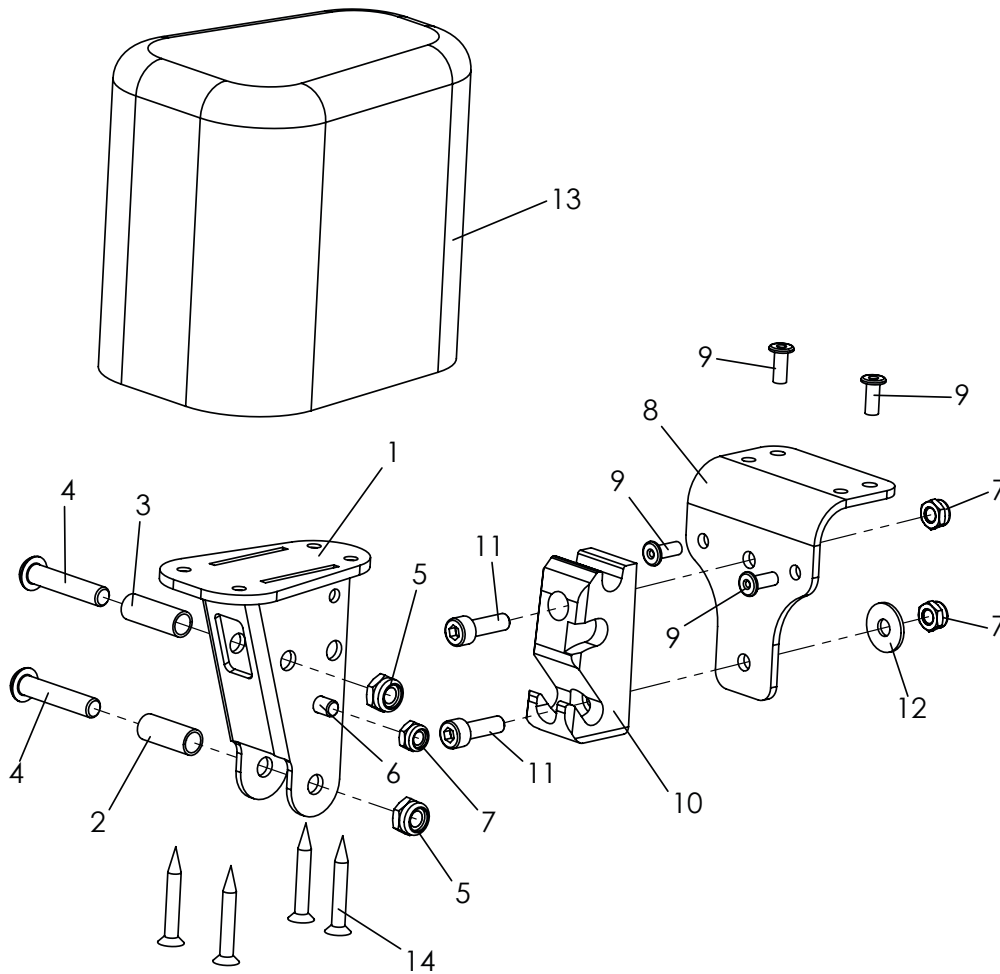
| Pos | Article number | Articel description | Quantity | Unit |
|-----|------------------|---|----------|------------|
| 1-4 | 3201-7600 | Headrest pads without upholstery size 1 | 1 | Set |
| | 3203-7600 | Headrest pads without upholstery size 2 | 1 | Set |
| 2-6 | 3231-7600 | Headrest pads low version without upholstery size 1 | 1 | Set |
| | 3233-7600 | Headrest pads low version without upholstery size 2 | 1 | Set |
| 1 | 3201-7610-032 | headrest pads size 1, black dull matt | 2 | Pc. |
| | 3203-7610-032 | headrest pads size 2, black dull matt | 2 | Pc. |
| 2 | 1026-0516 | Mushroom head square neck bolt M5x16 | 4 | Pc. |
| 3 | 1124-0500 | Knurled nut M5 | 4 | Pc. |
| 4 | 1049-0066 | BILOC-nut M5 | 4 | Pc. |
| 5 | 3201-7611-032 | Head rerst pad size 1, black dull matt | 2 | Pc. |
| | 3233-7611-032 | Headrest pad low profile size 2, black dull matt | 2 | Pc. |
| 6 | 1144-0001 | KS-Profil PVC | 2 | Pc. |
| | 3201-7620-323 | Head rest upholstery size 1, iron grey | 2 | Pc. |
| | 3203-7620-323 | Head rest upholstery size 2, iron grey | 2 | Pc. |
| | 3231-7620-323 | Head rest upholstery for low profile head rest, size 1, iron grey | 2 | Pc. |
| | 3233-7620-323 | Head rest upholstery for low profile head rest, size 2, iron grey | 2 | Pc. |
| | 3201-7622 | Self adhesive pad size 1 | 2 | Pc. |
| | 3203-7622 | Self adhesive pad size 2 | 2 | Pc. |

Spare parts



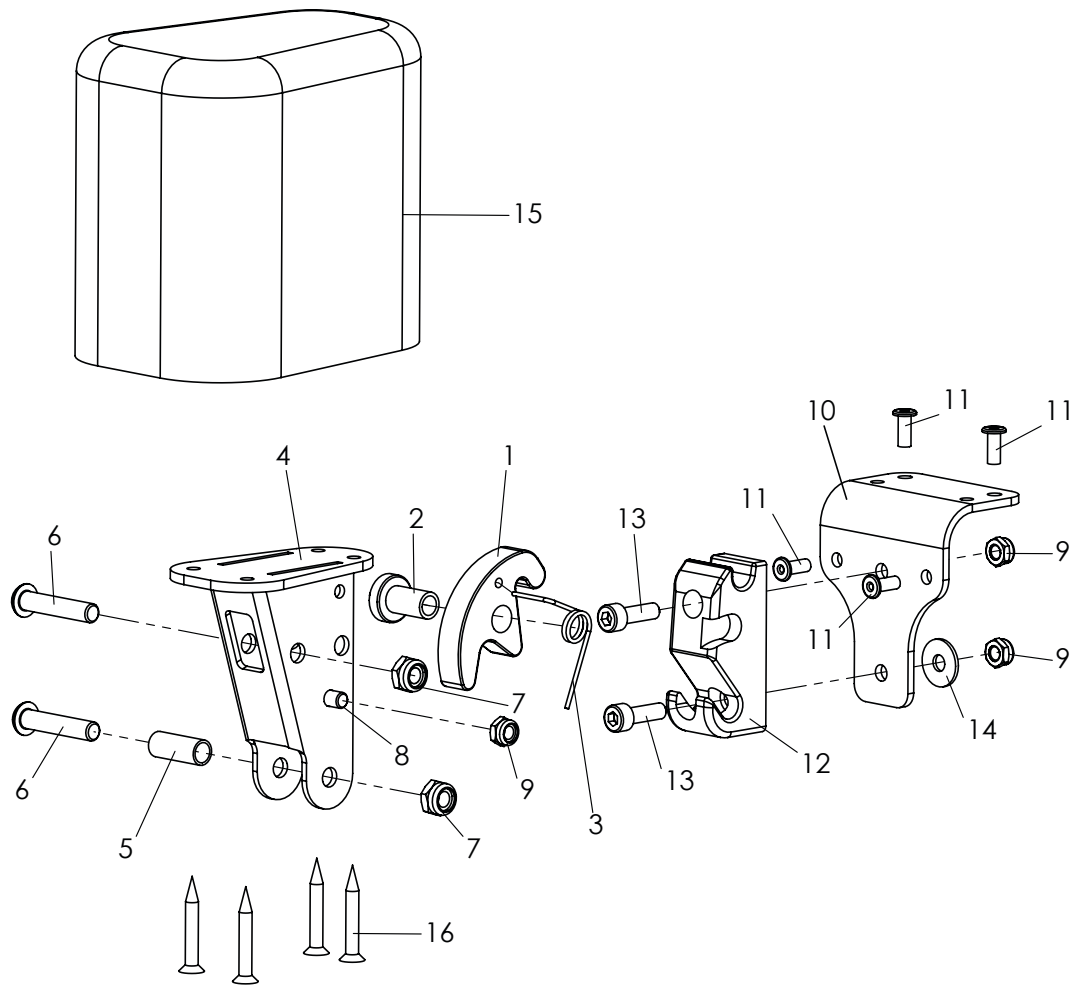
| Pos | Article number | Articel description | Quantity | Unit |
|------------|------------------|--|----------|-------------|
| 1-8 | 3231-7700 | Trunk suport size 1, without upholstery | 1 | Pair |
| | 3233-7700 | Trunk suport size 2, without upholstery | 1 | Pair |
| | 3235-7700 | Trunk suport size 3, without upholstery | 1 | Pair |
| 1 | 3201-7720-008 | Pad crank right size 1 | 1 | Pc. |
| | 3201-7710-008 | Pad crank left size 1 | 1 | Pc. |
| 2 | 3231-7730 | Pad size 1 | 2 | Pc. |
| | 3233-7730 | Pad size 2 | 2 | Pc. |
| | 3235-7730 | Pad size 3 | 2 | Pc. |
| 3 | 1051-0006 | Washer A6,4 | 2 | Pc. |
| 4 | 1022-0620 | Hexagon socket head cap screw M6x20 | 2 | Pc. |
| | 1022-0640 | Cylinder head screw M6x40 | 2 | Pc. |
| | 1022-0650 | Hexagon socket head cap screw M6x50 | 2 | Pc. |
| 5 | 1026-0520 | Mushroom head square neck bolt M5x20 | 2 | Pc. |
| 6 | 3201-7717-008 | Bracket of trunk support right | 1 | Pc. |
| | 3201-7716-008 | Bracket of trunk support left | 1 | Pc. |
| 7 | 1055-0006 | Washer A6,4 | 2 | Pc. |
| 8 | 1123-0500 | Wing nut PA black M5 | 2 | Pc. |
| | 3231-7760-323 | Upholstery Gr. 1, iron grey | 2 | Pc. |
| | 3233-7760-323 | Upholstery Gr. 2 iron grey | 2 | Pc. |
| | 3203-7760-323 | Upholstery Gr. 3 iron grey | 2 | Pc. |

Spare parts



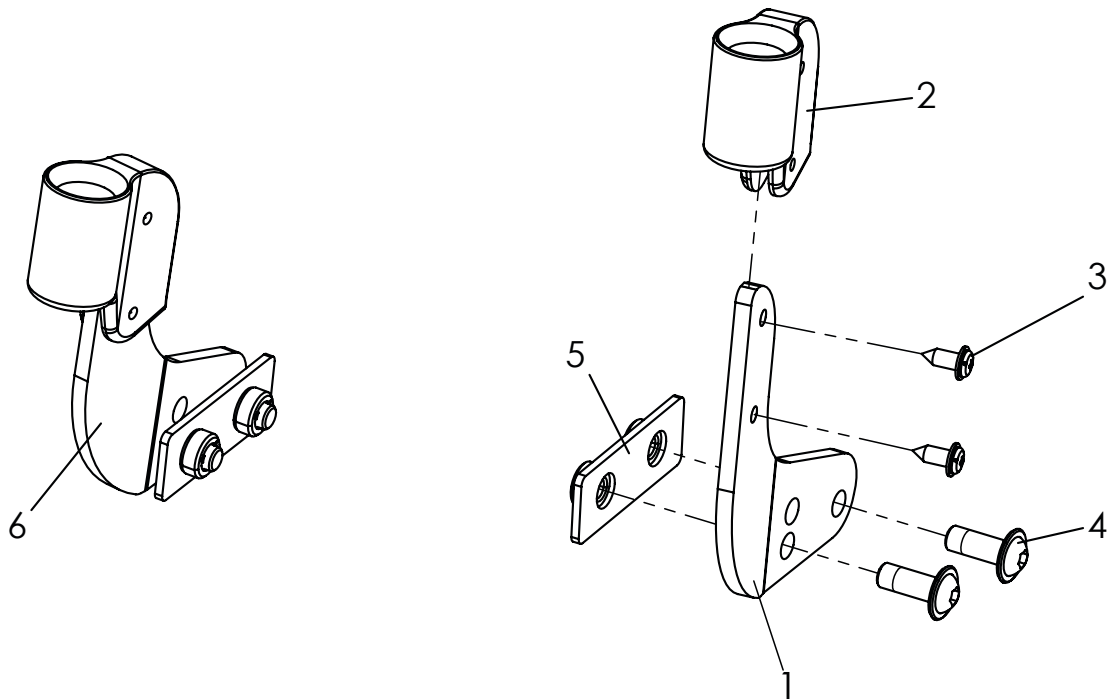
| Pos | Article number | Articel description | Quantity | Unit |
|------|------------------|---|----------|-----------|
| 1-14 | 3231-7801 | Bingo-Evo abduction block size 1 fixed, with out cover | 1 | Pc |
| | 3231-7901 | Bingo-Evo abduction block size 2 fixed, with out cover | 1 | Pc |
| | 3233-7801 | Bingo-Evo abduction block size 3 fixed, with out cover | 1 | Pc |
| 1 | 3231-7820-032 | A-wedge support | 1 | Pc |
| 2 | 1114-0013 | Bushing zp 8x0,8x20 | 1 | Pc |
| 3 | 1114-0012 | Bushing zp 8x0,8x22,5 | 1 | Pc |
| 4 | 1029-0630 | Button head socket screw M6x30 | 2 | Pc |
| 5 | 1042-0006 | Hexagon nut self-locking M6 | 2 | Pc |
| 6 | 1021-0508 | Cylinder head screw M5x8 | 1 | Pc |
| 7 | 1042-0005 | Hexagon nut self-locking M5 | 3 | Pc |
| 8 | 3231-7831-032 | Base plate abduction block receiver | 1 | Pc |
| 9 | 1062-0410 | Blind rivet F4x10 | 4 | Pc |
| 10 | 3231-7832 | Arresting part for A-wedge | 1 | Pc |
| 11 | 1021-0516 | Hexagon socket head cap screw M5x16 | 2 | Pc |
| 12 | 1055-0005 | Washer A5,3 | 1 | Pc |
| 13 | 3201-7810E | Wood wedge size 1 with PU-foam | 1 | Pc |
| | 3201-7910E | Wood wedge size 2 with PU-foam | 1 | Pc |
| | 3203-7810E | Wood wedge size 3 with PU-foam | 1 | Pc |
| 14 | 1028-0430 | Pressboard screw countersunk head 4x30 | 4 | Pc |
| | 3201-7840-323 | Cover for abduction block size 1 iron grey | 1 | Pc |
| | 3201-7940-323 | Cover abduction block size 2 iron grey | 1 | Pc |
| | 3203-7840-323 | Cover for abduction block size 3 iron grey | 1 | Pc |

Spare parts



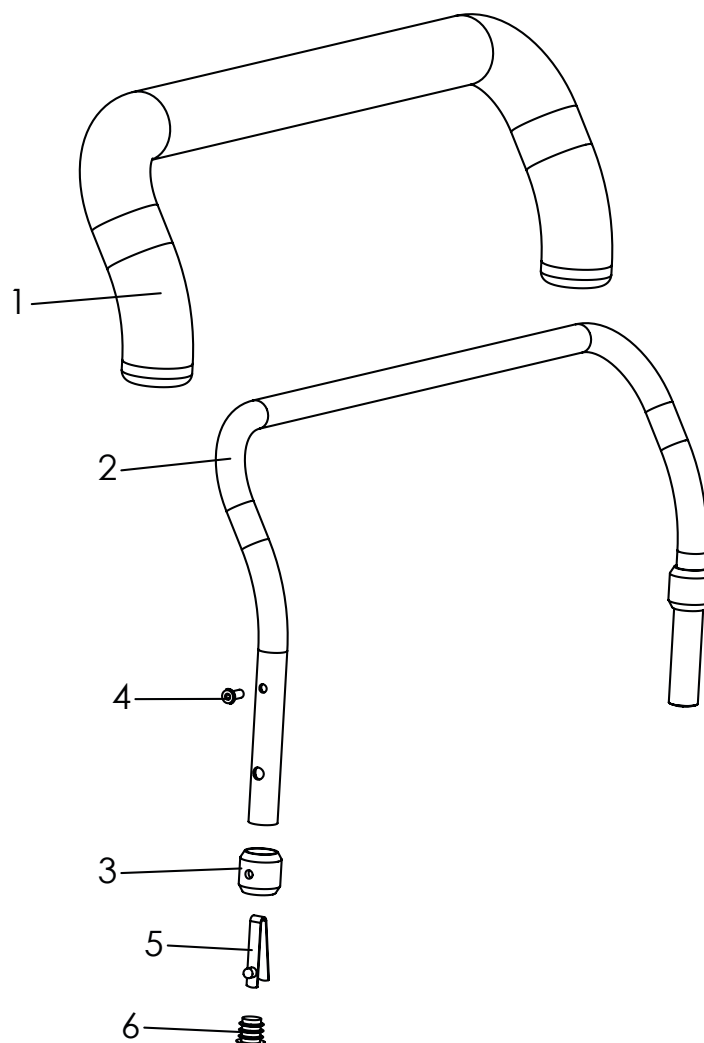
| Pos | Article number | Articel description | Quantity | Unit |
|------|------------------|---|----------|------------|
| 1-16 | 3231-7800 | Bingo-Evo abduction block size 1 swing&detachable, without cover | 1 | Pc. |
| | 3231-7900 | Bingo-Evo abduction block size 2 swing&detachable, without cover | 1 | Pc. |
| | 3233-7800 | Bingo-Evo abduction block size 3 swing&detachable, without cover | 1 | Pc. |
| 1 | 3231-7841 | Arresting clamp | 1 | Pc. |
| 2 | 3231-7842 | Bearing arresting clamp | 1 | Pc. |
| 3 | 1133-0020 | Leg spring 1,25 x 9,25 x 2,25 | 1 | Pc. |
| 4 | 3231-7820-032 | A-wedge support | 1 | Pc. |
| 5 | 1114-0013 | Bushing zp 8x0,8x20 | 1 | Pc. |
| 6 | 1029-0630 | Bbutton head socket screw M6x30 | 2 | Pc. |
| 7 | 1042-0006 | Hexagon nut self-locking 985 M6 | 2 | Pc. |
| 8 | 1021-0508 | Cylinder head screw M5x8 | 1 | Pc. |
| 9 | 1042-0005 | Hexagon nut self-locking M5 | 3 | Pc. |
| 10 | 3231-7831-032 | Base plate abduction block receiver | 1 | Pc. |
| 11 | 1062-0410 | Blind rivet F4x10 | 4 | Pc. |
| 12 | 3231-7832 | Arresting part for A-wedge | 1 | Pc. |
| 13 | 1021-0516 | Hexagon socket head cap screw M5x16 | 2 | Pc. |
| 14 | 1055-0005 | Washer A5,3 | 1 | Pc. |
| 15 | 3201-7810E | Wood wedge size 1 with PU-foam | 1 | Pc. |
| | 3201-7910E | Wood wedge size 1 with PU-foam | 1 | Pc. |
| | 3203-7810E | Wood wedge size 1 with PU-foam | 1 | Pc. |
| 16 | 1028-0430 | Pressboard screw countersunk head 4x30 | 4 | Pc. |
| | 3201-7840-323 | Cover for abduction block size 1 iron grey | 1 | Pc. |
| | 3201-7940-323 | Cover abduction block size 2 iron grey | 1 | Pc. |
| | 3203-7840-323 | Cover for abduction block size 3 iron grey | 1 | Pc. |

Spare parts



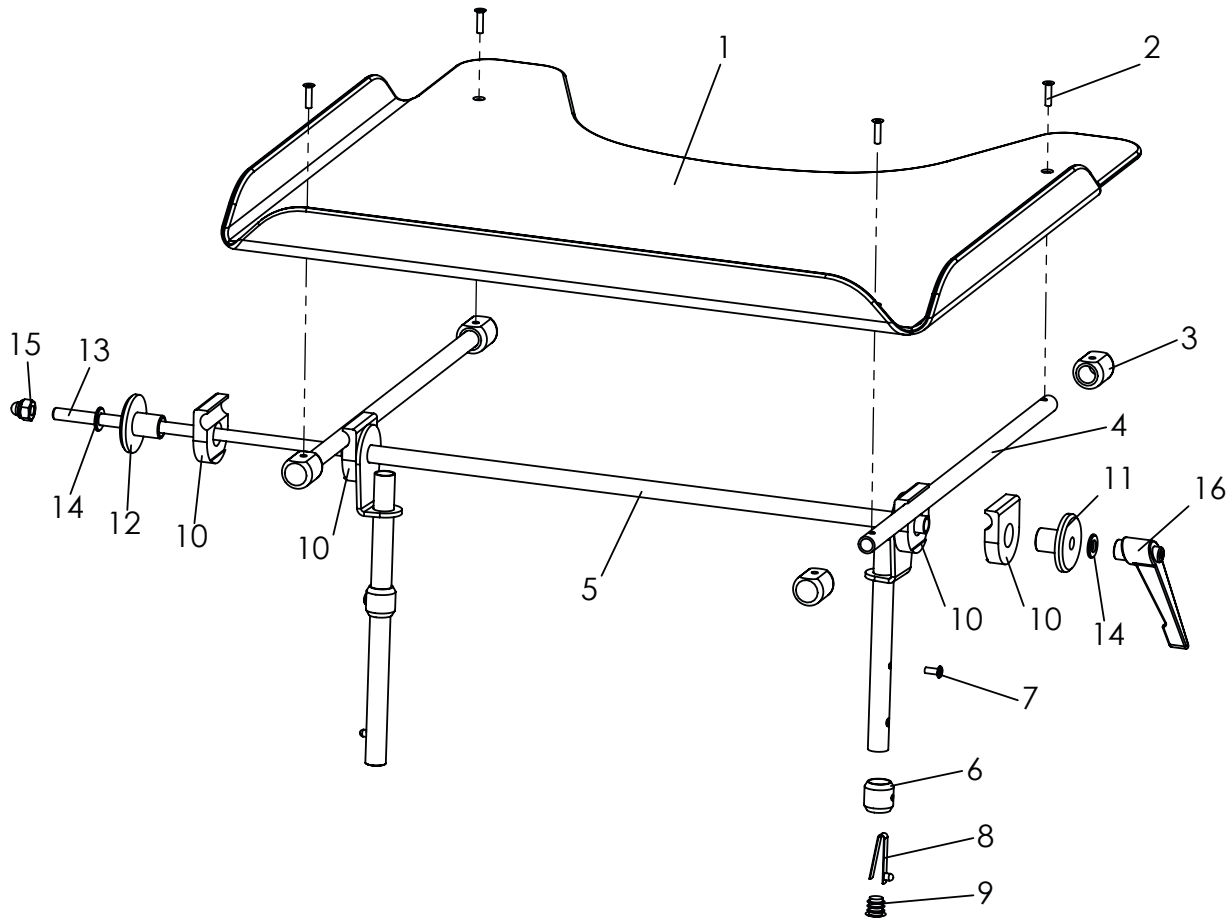
| Pos | Article number | Articel description | Quantity | Unit |
|------------|----------------------|--|----------|------------|
| 1-6 | 3211-2201-052 | DURO retainer for accessories grab rail or therapy tray | 1 | Set |
| 1 | 3211-2232-052 | Accessorie retainer left | 1 | Pc. |
| 2 | 3231-2232 | Retainer for accessories mould part | 2 | Pc. |
| 3 | 1039-0001 | Screw for plastic, 4x10 | 4 | Pc. |
| 4 | 1030-0616 | Button head socket screw with flange M6x16 | 4 | Pc. |
| 5 | 3211-2231 | Threaded plate M6 | 2 | Pc. |
| 6 | 3211-2242-052 | Accessorie retainer right | 1 | Pc. |

Spare parts



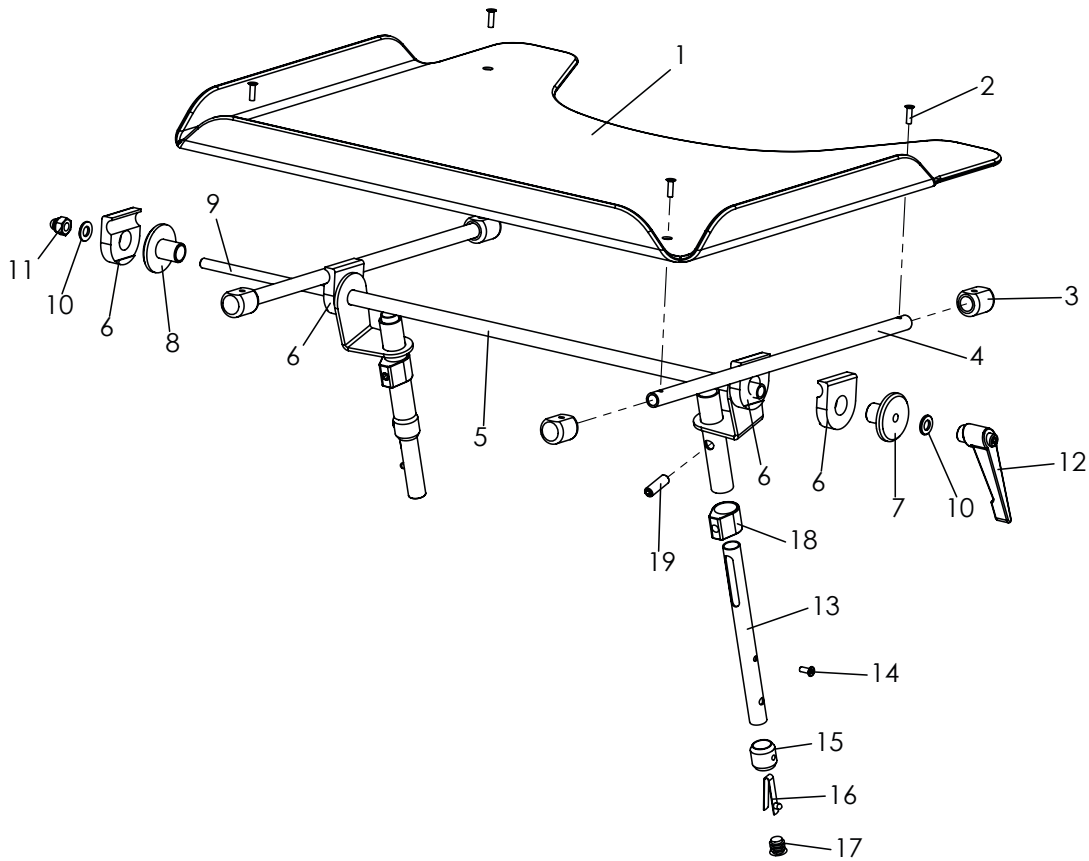
| Pos | Article number | Articel description | Quantity | Unit |
|------------|------------------|--|----------|------------|
| 1-6 | 3230-8100 | Grab rail with upholstery Mini | 1 | Pc. |
| | 3231-8100 | Grab rail with upholstery size 1 | 1 | Pc. |
| | 3233-8100 | Grab rail with upholstery size 2 | 1 | Pc. |
| 1 | 3231-8110 | Bend Tube for grab rail size 1 | 1 | Pc. |
| | 3233-8110 | Bend Tube for grab rail size 2 | 1 | Pc. |
| 2 | 3231-8130 | Upholstery foam material size 1, (60 cm) | 1 | Pc. |
| | 3203-8130 | Upholstery foam material size 2 (70 cm) | 1 | Pc. |
| 3 | 3201-8120 | Bushing | 2 | Pc. |
| 4 | 1062-0408 | Blind rivet St/St DIN/ISO 7337 F4x8 | 2 | Pc. |
| 5 | 1134-0005 | Snap button A 102 | 2 | Pc. |
| 6 | 1141-0001 | Ribbed insert SFL 14x0,8-2 | 2 | Pc. |
| | 3230-8140-323 | Cover of grab rail Mini, iron grey | 1 | Pc. |
| | 3231-8140-323 | Cover of grab rail size 1, iron grey | 1 | Pc. |
| | 3233-8140-323 | Cover of grab rail size 2, iron grey | 1 | Pc. |

Spare parts



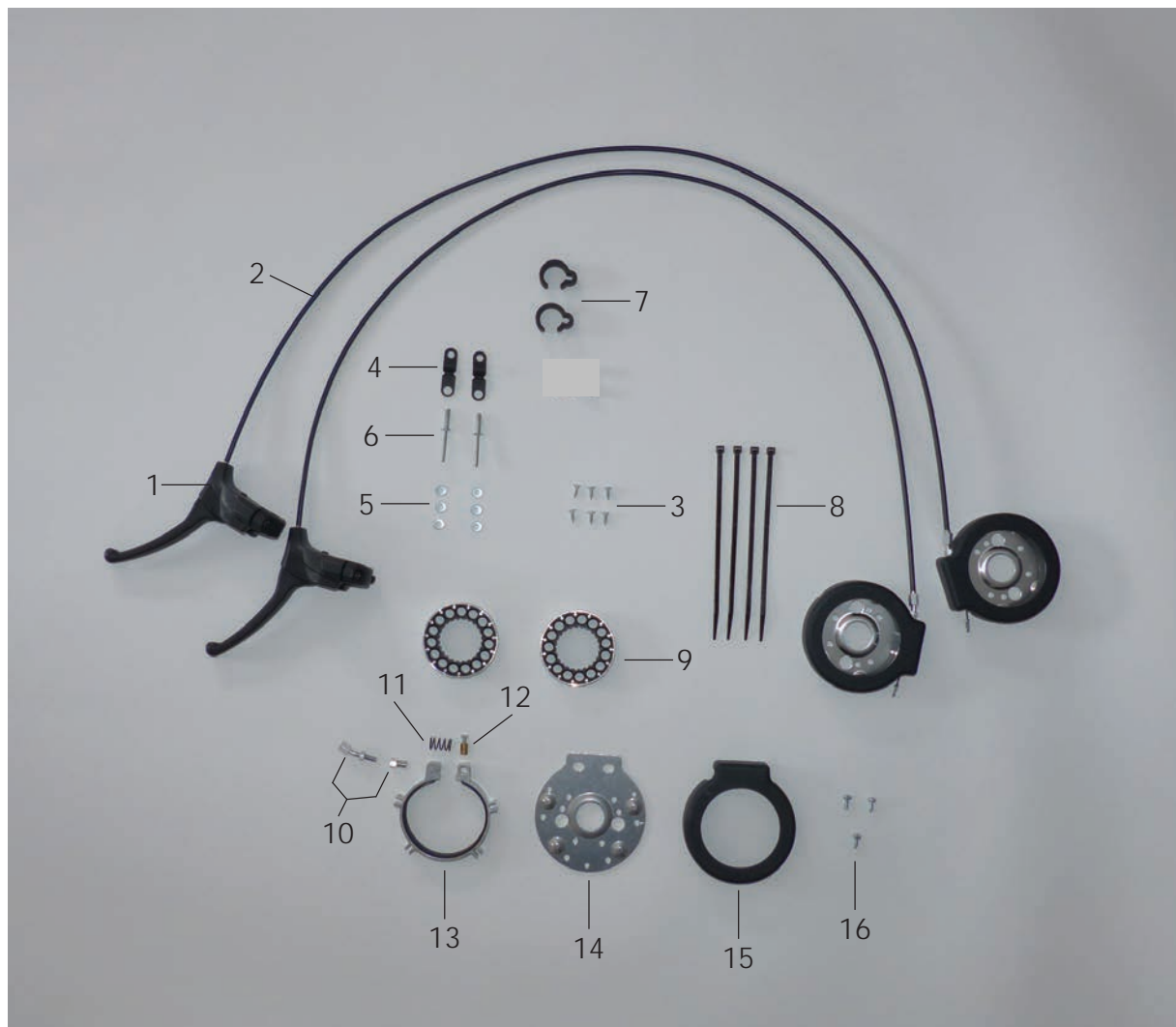
| Pos | Article number | Articel description | Quantity | Unit |
|------|------------------|---|----------|------------|
| 1-16 | 3231-8200 | Therapy tray size 1, clear | 1 | Pc. |
| 1-16 | 3233-8200 | Therapy tray size 2, clear | 1 | Pc. |
| 1 | 3231-8290 | Tray plate only, clear | 1 | Pc. |
| | 3231-8280 | Tray plate clear, with rails | 1 | Pc. |
| | 3231-8201 | Therapy tray size 1, gray | 1 | Pc. |
| | 3233-8201 | Therapy tray size 2, gray | 1 | Pc. |
| | 3231-8291 | Tray plate only, grey | 1 | Pc. |
| | 3231-8281 | Tray plate gray, with rails | 1 | Pc. |
| 2 | 1063-0410 | Blind rivet S4x10 | 4 | Pc. |
| 3 | 3201-8280 | Bearing block | 4 | Pc. |
| 4 | 3201-8270 | Rail | 2 | Pc. |
| 5-9 | 3231-8210E-032 | Table base frame, size 1 | 1 | Pc. |
| | 3233-8210E-032 | Table base frame, size 2 | 1 | Pc. |
| 6 | 1062-0410 | Bushing | 2 | Pc. |
| 7 | 1134-0005 | Blind rivet F4x10 | 2 | Pc. |
| 8 | 1141-0001 | Snap button A 102 | 2 | Pc. |
| 9 | 3201-8230 | Ribbed insert SFL 14x0,8-2 | 4 | Pc. |
| 10 | 3201-8240 | Clamp half | 1 | Pc. |
| 11 | 3201-8250 | Clamp disk D 8,5 | 1 | Pc. |
| 12 | 1039-0002 | Clamp disk M8 | 1 | Pc. |
| 13 | 1051-0008 | Thread M8x47,2mm | 0,47 | m |
| 14 | 1044-0008 | Washer A8,4 | 1 | Pc. |
| 15 | 1121-0800 | Hexagonal domed cap nut self-locking M8 | 1 | Pc. |
| 16 | 1121-0800 | Locking lever PA black M8 | 1 | Pc. |

Spare parts



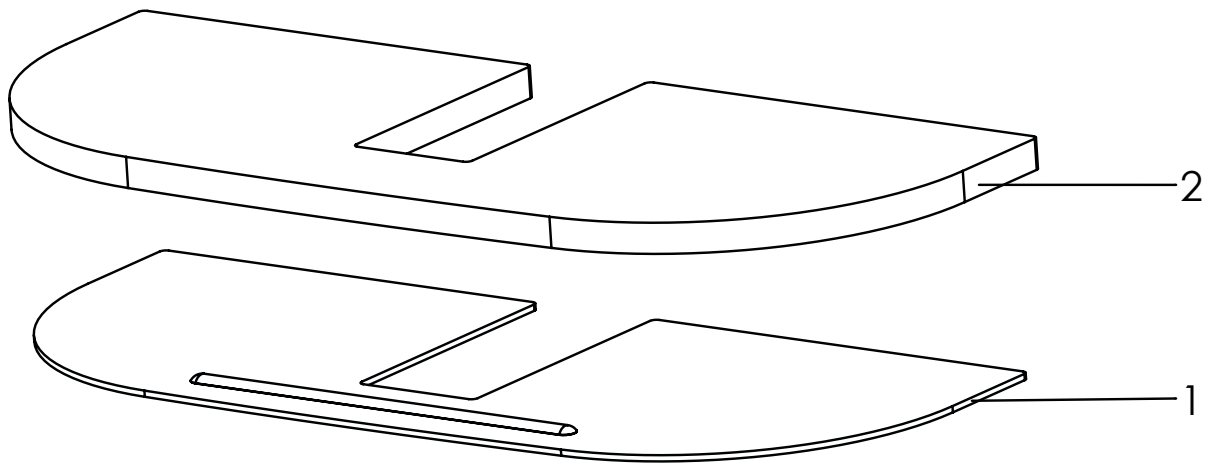
| Pos | Article number | Articel description | Quantity | Unit |
|-------------|------------------|--|----------|------------|
| 1-16 | 3231-8202 | Therapy tray size 1, clear, height adjustable | 1 | Pc. |
| 1-16 | 3233-8202 | Therapy tray size 2, clear, height adjustable | 1 | Pc. |
| 1 | 3231-8290 | Tray plate only, clear | 1 | Pc. |
| | 3231-8280 | Tray plate clear, with rails | 1 | Pc. |
| | 3231-8203 | Therapy tray size 1, gray, height adjustable | 1 | Pc. |
| | 3233-8203 | Therapy tray size 2, gray, height adjustable | 1 | Pc. |
| | 3231-8291 | Tray plate only, grey | 1 | Pc. |
| 1-4 | 3231-8281 | Tray plate gray, with rails | 1 | Pc. |
| 2 | 1063-0414 | Blind rivet S4x10 | 4 | Pc. |
| 3 | 3201-8280 | Bearing block | 4 | Pc. |
| 4 | 3201-8270 | Rail | 2 | Pc. |
| 5 | 3231-8220E-032 | Table base frame, size 1, height adjustable | 1 | Pc. |
| | 3233-8220E-032 | Table base frame, size 2, height adjustable | 1 | Pc. |
| 6 | 3201-8230 | Clamp half | 4 | Pc. |
| 7 | 3201-8250 | Clamp disk M8 | 1 | Pc. |
| 8 | 3201-8240 | Clamp disk D 8,5 | 1 | Pc. |
| 9 | 1039-0002 | Thread rod M8x47,2cm | 0,47 | m |
| 10 | 1051-0008 | Washer A8,4 | 2 | Pc. |
| 11 | 1044-0008 | Hexagonal domed cap nut self-locking M8 | 1 | Pc. |
| 12 | 1121-0800 | Locking lever PA black M8 | 1 | Pc. |
| 13-17 | 3231-8215 | Support tube adjustable, left | 1 | Pc. |
| | 3231-8216 | Support tube adjustable, right | 1 | Pc. |
| 14 | 1062-0408 | Blind rivet F4x8 | 2 | Pc. |
| 15 | 3201-8120 | Bushing | 2 | Pc. |
| 16 | 1134-0005 | Snap button A 102 | 2 | Pc. |
| 17 | 1141-0001 | Ribbed insert SFL 14x0,8-2 | 2 | Pc. |
| 18 | 3201-8221 | Clamp ring for height adjustable tray | 2 | Pc. |
| 19 | 1031-0825 | Hexagon socket set screw M8x25 | 2 | Pc. |

Spare parts



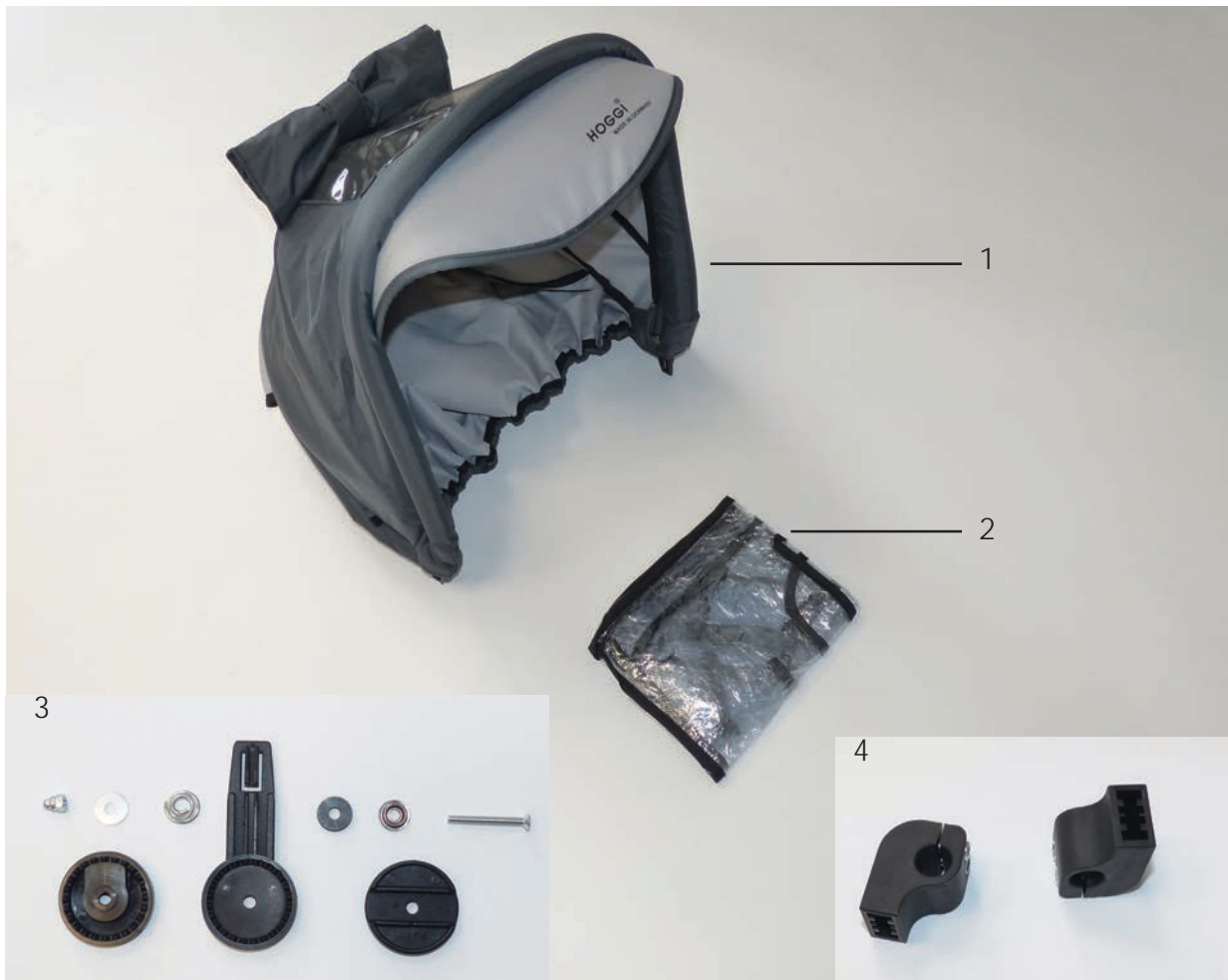
| Pos | Article number | Articel description | Quantity | Unit |
|--------------|------------------|--|----------|------------|
| 1-9 | 3211-7201 | Attendant brake DURO, two hand use | 1 | Set |
| 1 | 1209-0221 | Break lever 80° | 2 | Pc. |
| 2 | 1209-0001 | Break wire set 1,5m cable, shorten to 109cm | 2 | Pc. |
| 3 | 1039-0006 | Tapping screw with countersunk head | 6 | Pc. |
| 4 | 1149-0003 | Cable clip d 6,4 / 8 mm, black | 2 | Pc. |
| 5 | 1051-0005 | Washer A5,3 | 6 | Pc. |
| 6 | 1062-0516 | Blind rivet F5x16 | 2 | Pc. |
| 7 | 1149-0001 | Cable clip D 25 | 2 | Pc. |
| 8 | 1089-0004 | Cable tie, black, 5x180 | 4 | Pc. |
| 9 | 1204-0005 | Brake disc with aluminium-ring | 2 | Pc. |
| 10-16 | | Spare parts, Attendant brake | | |
| 10 | 3231-7217 | setscrew for cable, 160° angle | 1 | Pc. |
| 11 | 1131-0073 | Compression spring, for hub brake | 1 | Pc. |
| 12 | 1099-0015 | Screw nipple | 1 | Pc. |
| 13 | 3231-7213 | Alu-profile bracket with brake pad | 1 | Pc. |
| 14 | 3231-7214 | Base plate for hub brake | 1 | Pc. |
| 15 | 3231-7212 | Cover for hub brake | 1 | Pc. |
| 16 | 1039-0001 | Screw for plastic, cross rcessed pan head w. flange 4x10 | 3 | Pc. |

Spare parts



| Pos | Article number | Articel description | Quantity | Unit |
|-----|------------------|--|----------|------------|
| 1-2 | 3232-5190 | Calf pad support plate size 1 with foam insert | 1 | Set |
| | 3234-5190 | Ccalf pad support plate size 2 with foam insert | 1 | Set |
| 1 | 3231-5149-032 | Calf pad plate size 1 | 1 | Pc. |
| | 3233-5149-032 | Calf pad plate size 2 | 1 | Pc. |
| 2 | 3232-5173 | Foam for Calf pad plate size 1 | 1 | Pc. |
| | 3234-5173 | Foam for Calf pad plate size 2 | 1 | Pc. |

Spare parts



| Pos | Article number | Articel description | Quantity | Unit |
|-----|----------------------|---|----------|------------|
| 1-4 | 3211-9300-323 | Canopy DURO size 1, incl. adapter and rain protection, iron gray | 1 | Set |
| | 3212-9300-323 | Canopy DURO size 2, incl. adapter and rain protection, iron gray | 1 | Set |
| 1 | 7000-0007-323 | Canopy with rain cover, gray | 1 | Pc. |
| 2 | 7000-0008 | Rain cover for canopy, BINGO | 1 | Pc. |
| | 7000-0037 | Rain cover for canopy Zip size 2 | 1 | Pc. |
| 3 | 7000-0004 | Ratchet joint for canopy with fasteners | 2 | Pc. |
| 4 | 3211-9330E | Canopy adapter DURO with fastener complete | 1 | Set |

HOGGI GmbH
Eulerstraße 27 • 56235 Ransbach-Baumbach • Deutschland
Telefon: (+49) 2623 / 92 499-0 • Telefax: (+49) 2623 / 92 499-99
E-mail: info@hoggi.de • www.hoggi.de
