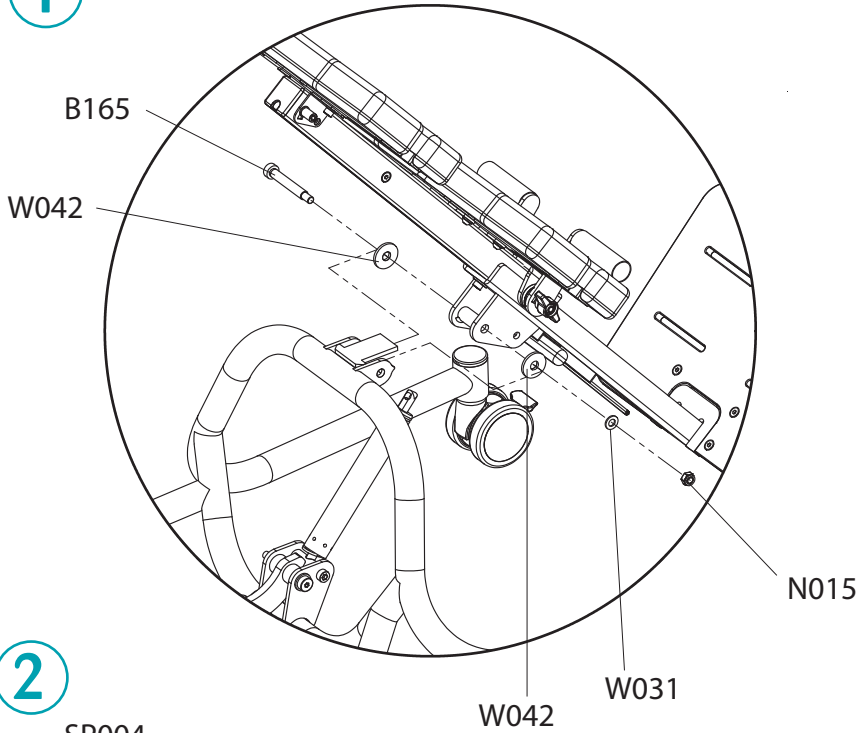
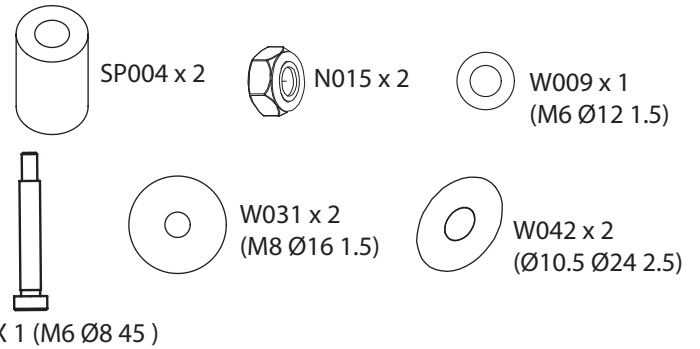
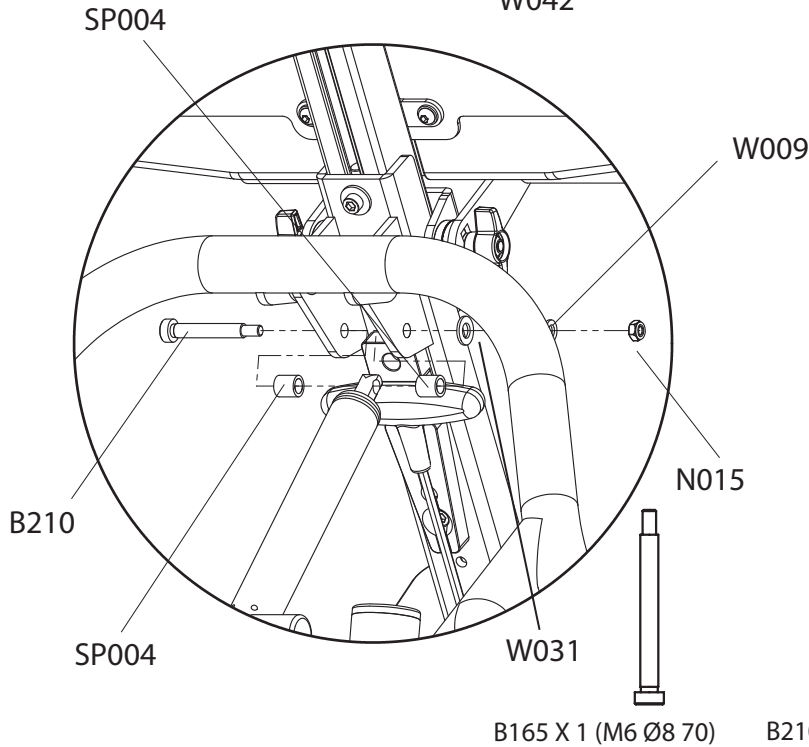


MUS01 001- BASE FRAME WITH PEDAL RELEASE FITTING INSTRUCTION

1

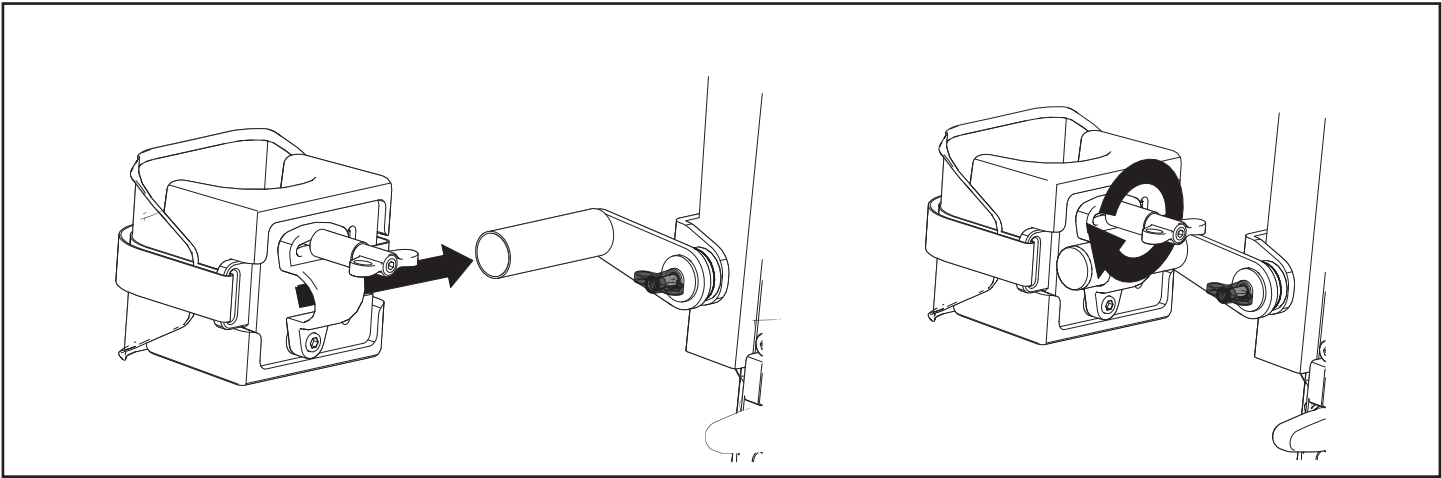
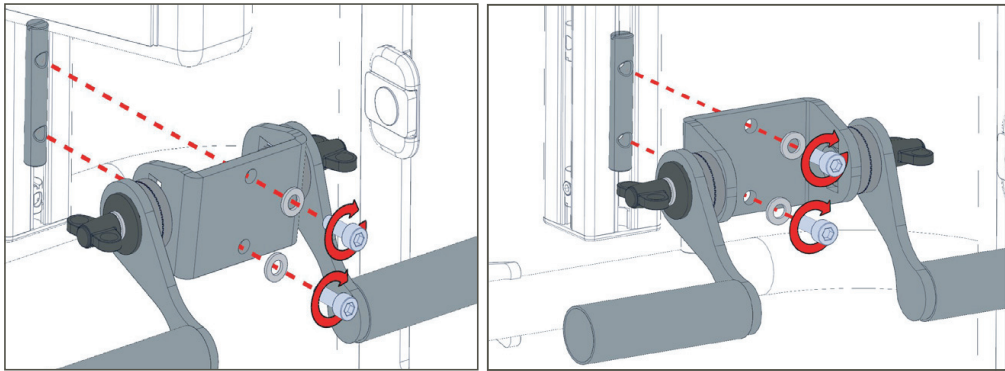
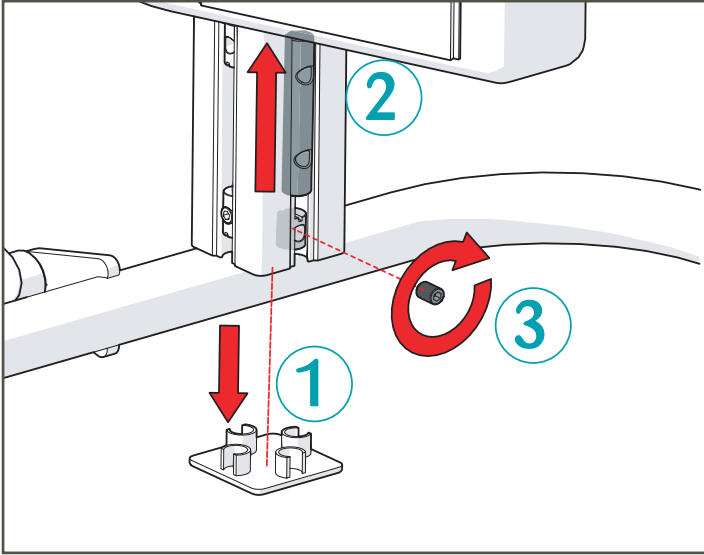


2

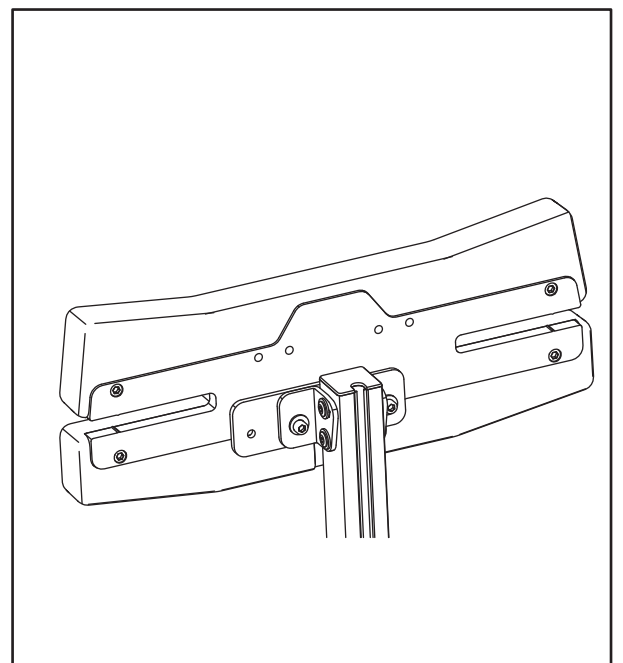
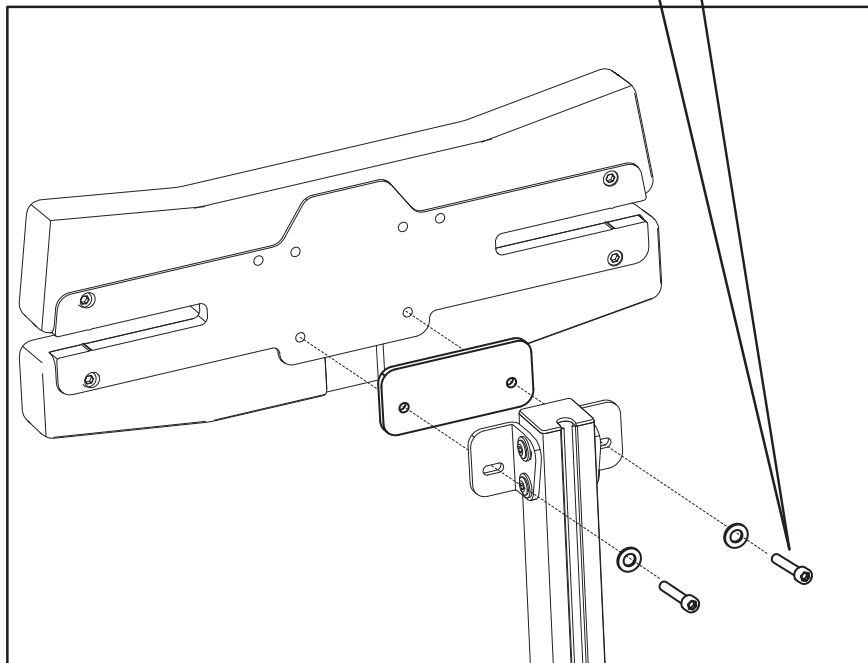
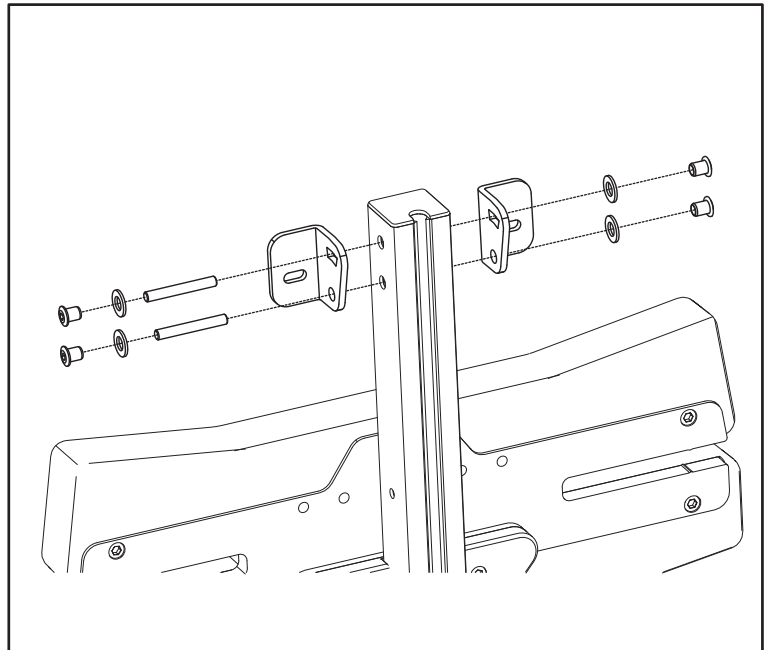
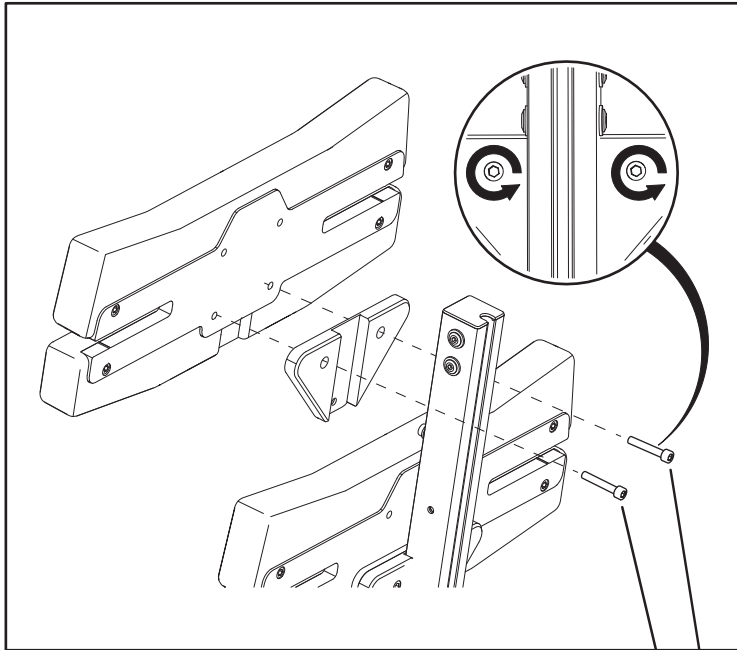




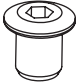


MUS01 005 - MULTISTANDER KNEE BLOCK

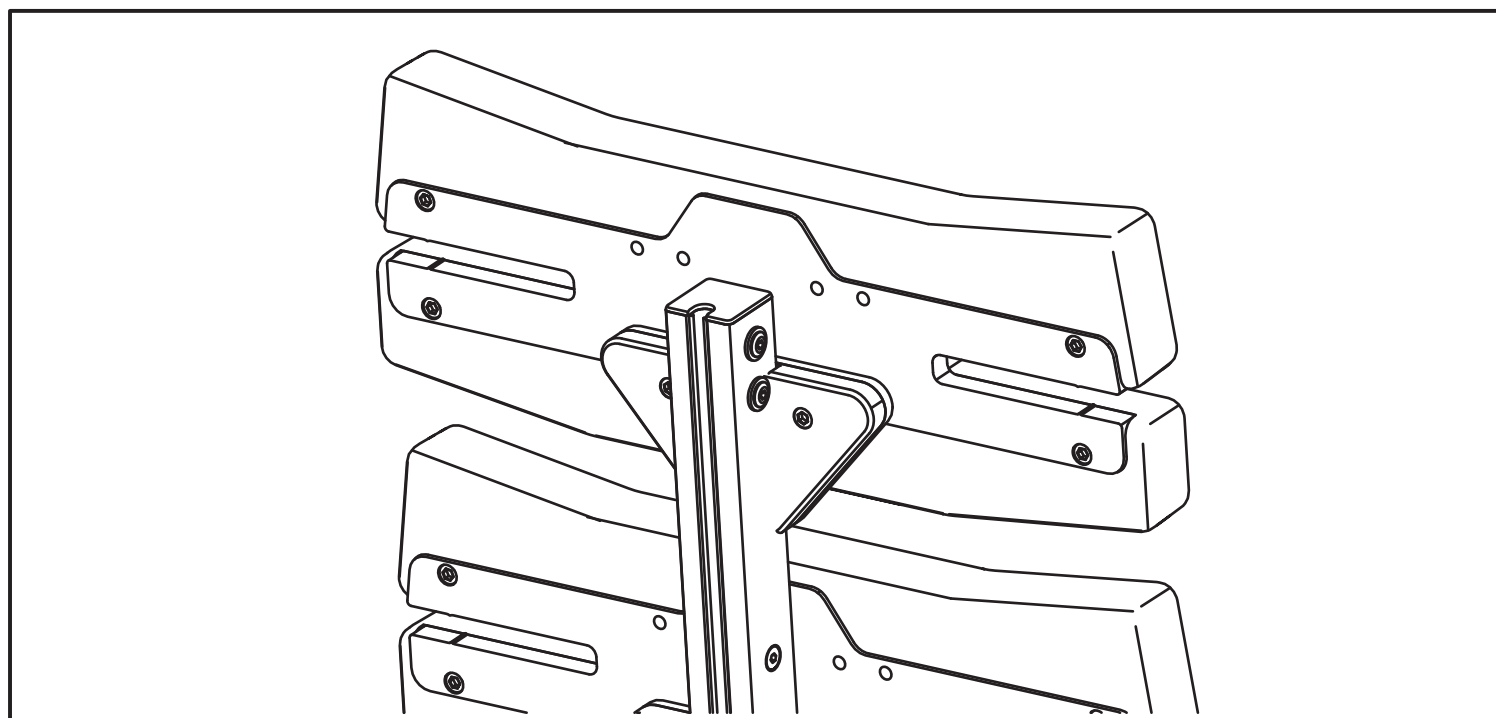
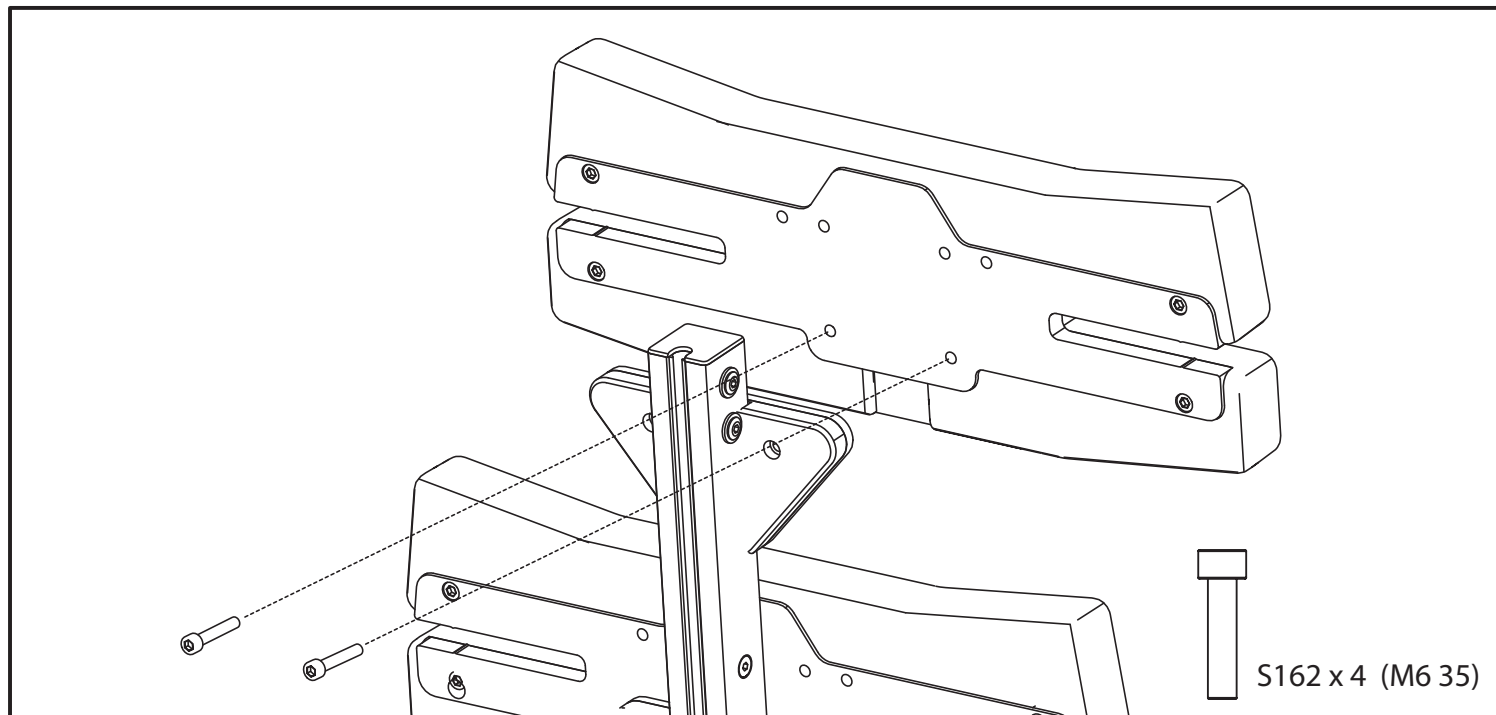


# MUS01 011- Chest Board angle adjustment kit

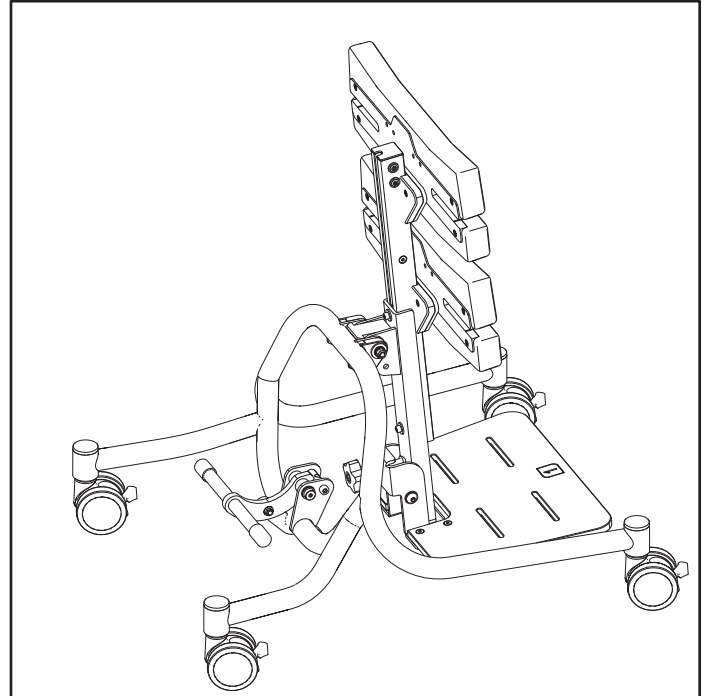
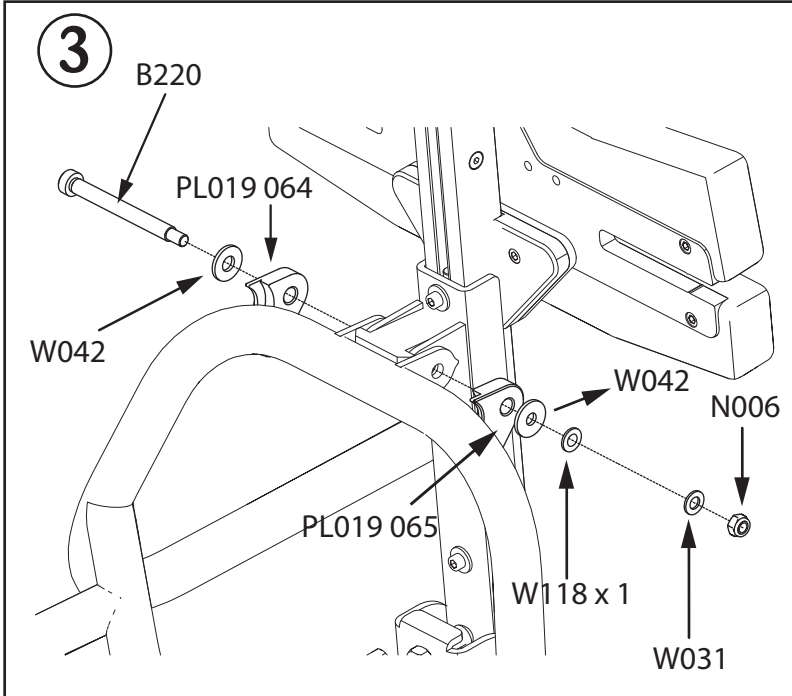
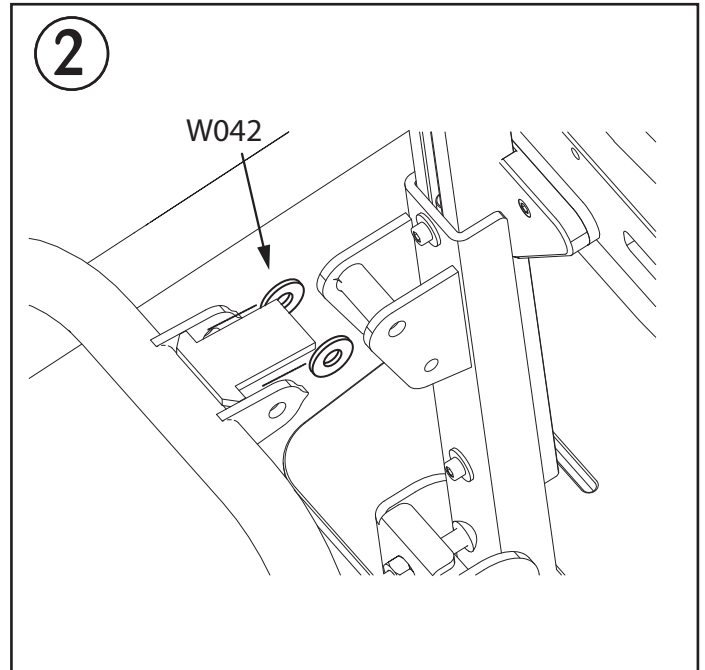
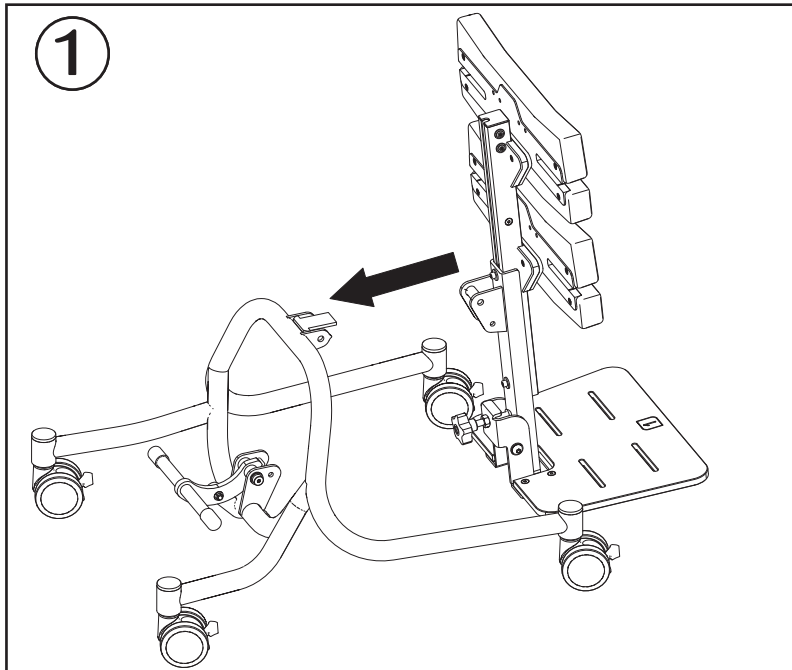


-   
ST014 x 2
-   
W031 x 6
-   
N071 x 4

# MUS01-B-0\* - MULTISTANDER SUPPORT BOARDS SIZE 1



MUS01-B-US-0x/ MUS01-F-US-08



B220 x 1 - M8 Ø10 90

W118 x 2- Ø10.5 Ø20 2

N006 x 1- M8 13 8

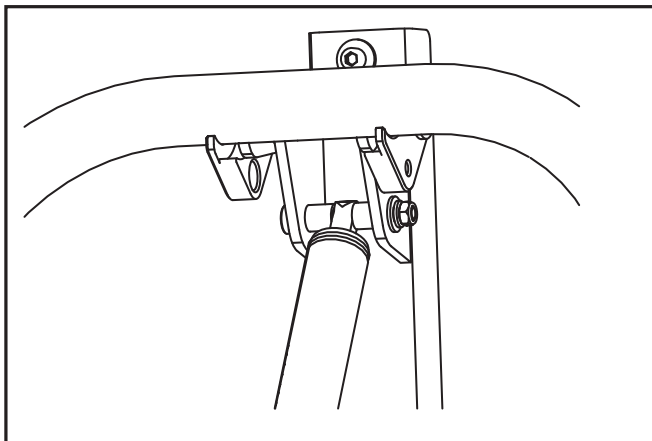
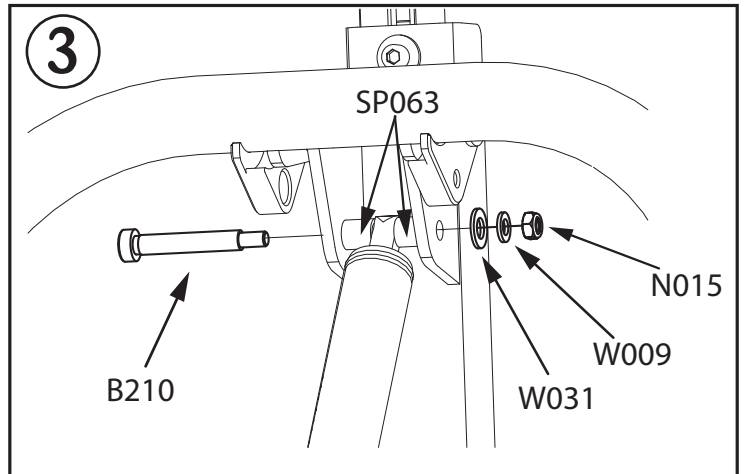
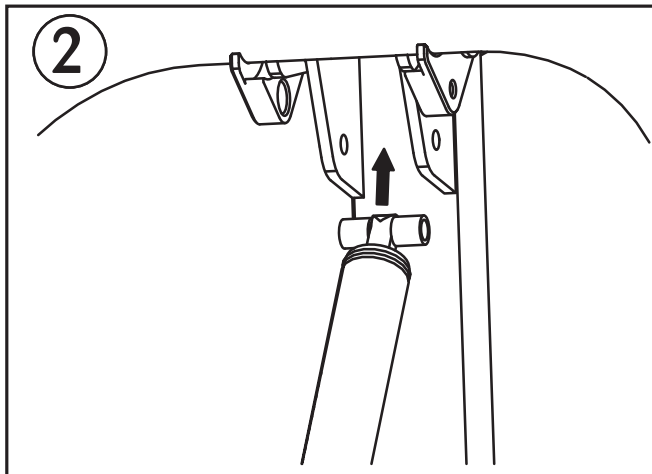
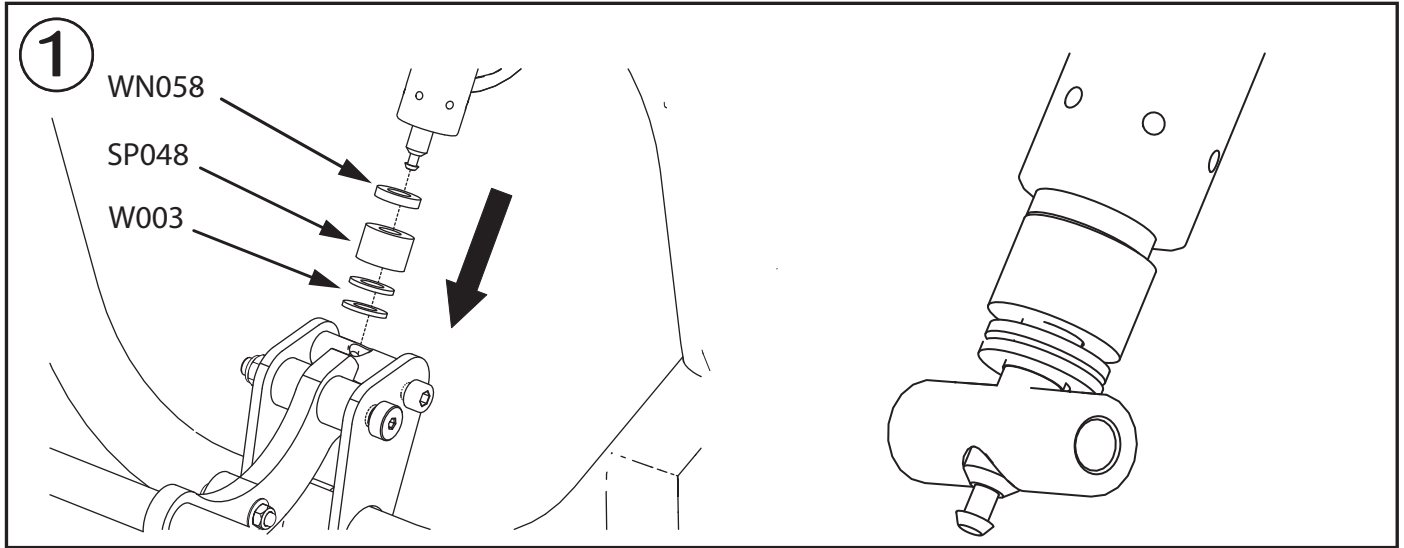
PL019 065 x 1

W042 x 4 - Ø10.5 Ø 24 2.5

W031 x 1 - M8 Ø16 1.5

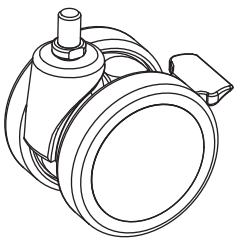
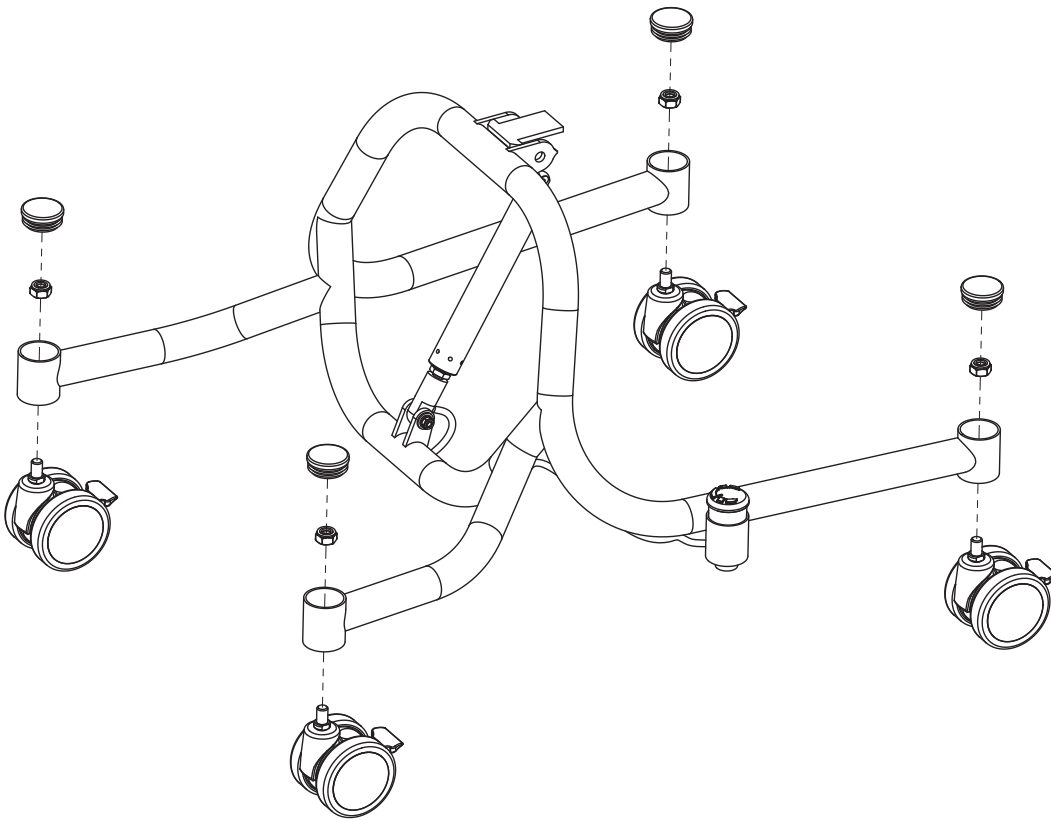
PL019 064 x 1

MUS01-B-US-0x/ MUS01-F-US-08



- SP048 x 1 - Ø10 Ø22 15
- N015 x 1 - M6 10 5.5
- WN058 x 1 - M10 20 4
- W003 x 2 M10 Ø20
- W031 x 1 M8 Ø16 1.5
- B210 x 1 - M6 Ø8 45
- W009 x 1 - M6 Ø 12 1.5
- SP063 x 2 - Ø8.4 Ø12

RPRT01 - 75MM Castors c/w 1 x Castor & Fixings u/w MUS01



CA002 x 1

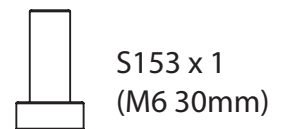
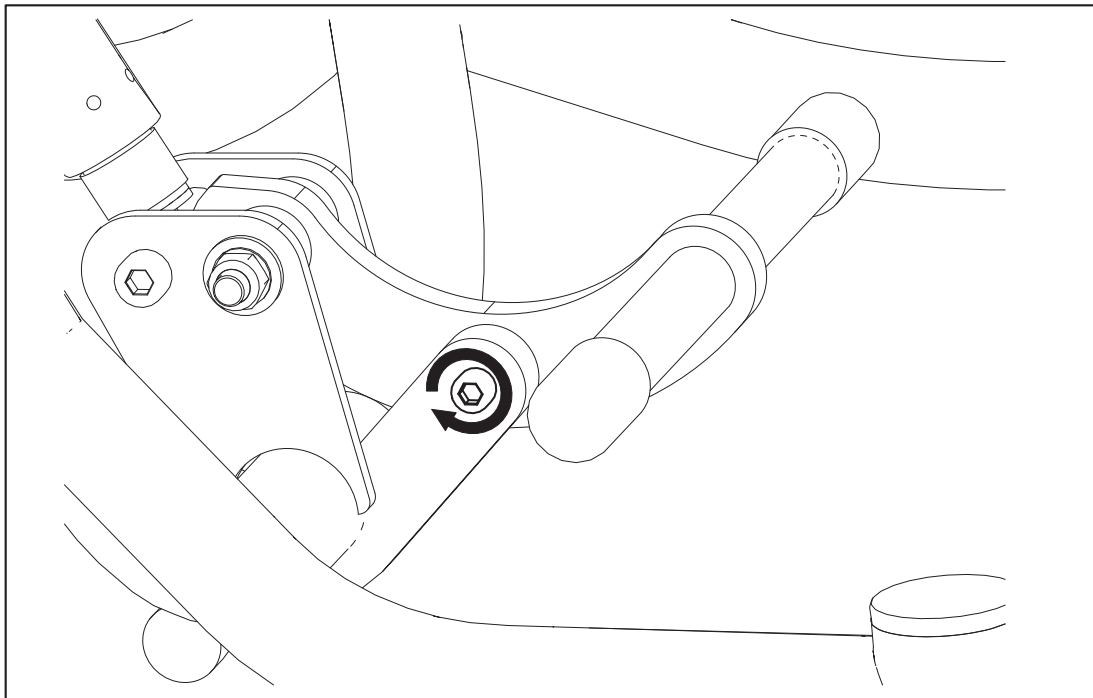
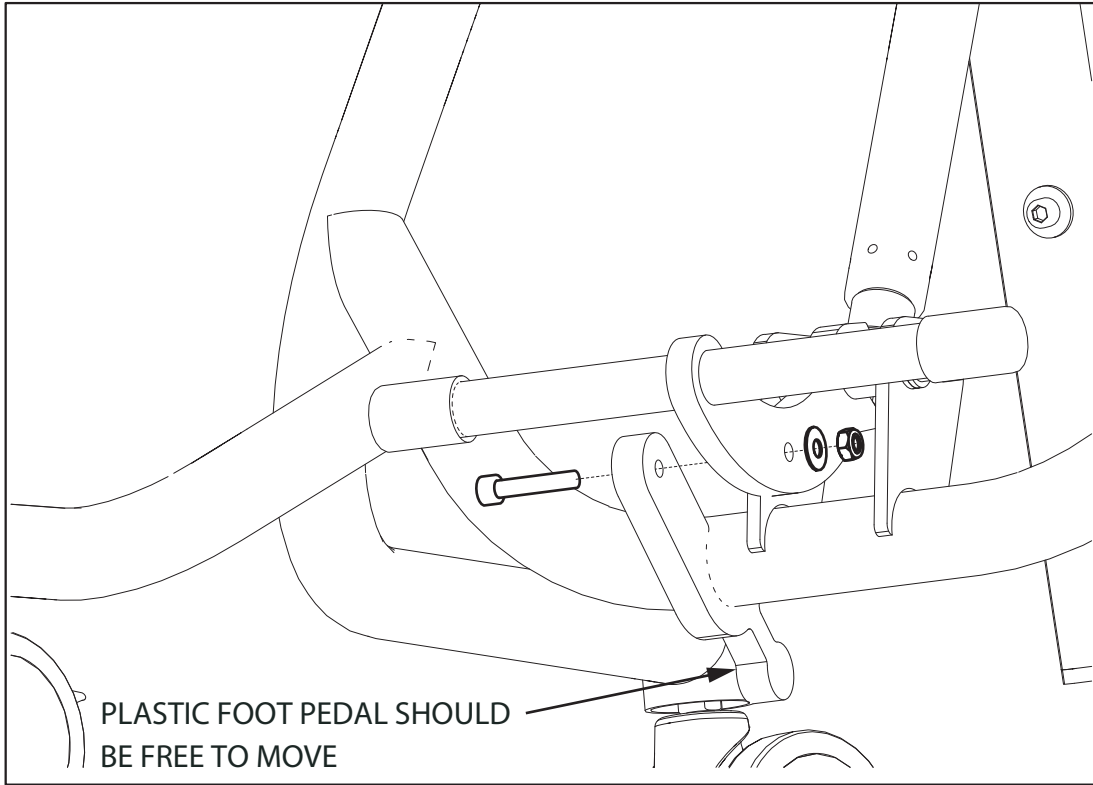


TI034 x 1



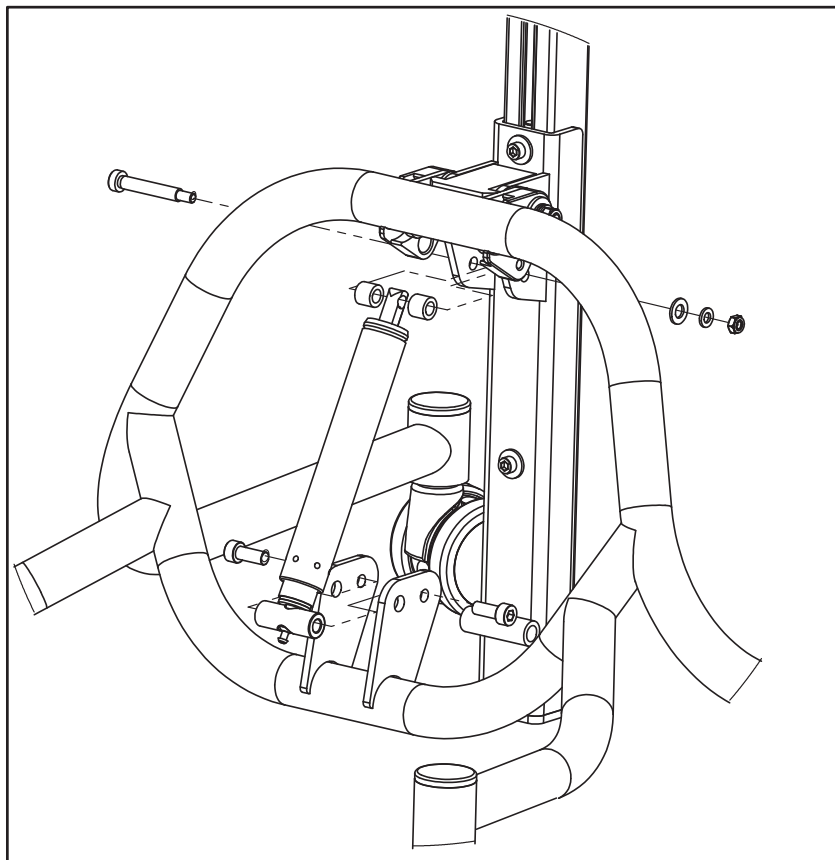
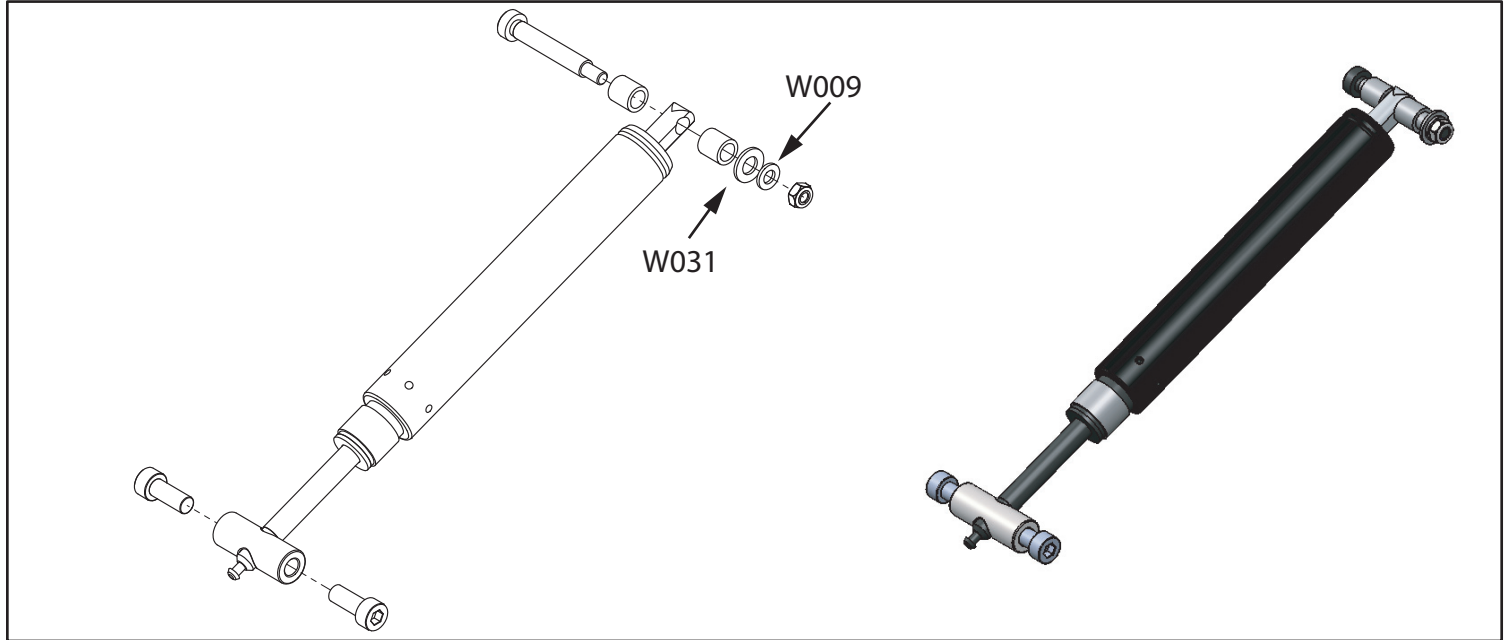
N023 x 1

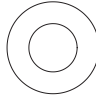
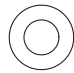


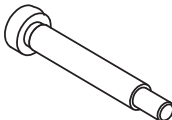

## RPRT90 - REPLACEMENT MULTISTANDER FOOT PEDAL LOCK AND FIXING





## RPRT93- REPLACEMENT GAS SPRING u/w MUS01, SUP-01



-  W031 x 1  
(Ø10.5 Ø24)
-  W009 x 1  
(M6 Ø12)
-  N015 x 1 (M6 10)
-  SP059 x 2
-  B210 x 1
-  S172 x 1