
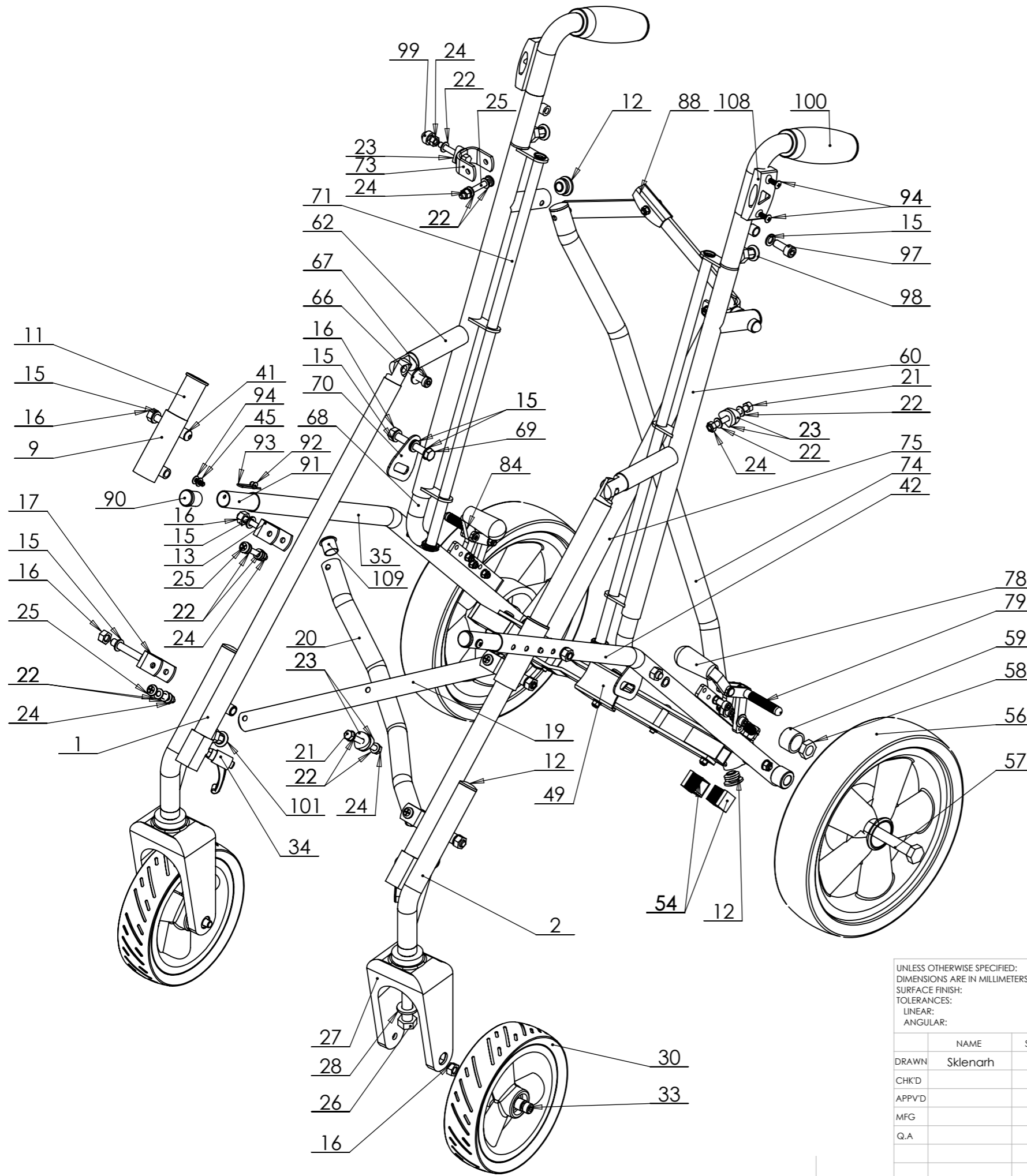


SCALE:	AUTHOR: Sklenarova	DESC: CRX - 30
	DATE: 08.08.2013	
	NAME: POTAHY/UPHOLSTERIES	DRAWING NR: SVR00012



UNLESS OTHERWISE SPECIFIED: DIMENSIONS ARE IN MILLIMETERS SURFACE FINISH: TOLERANCES: LINEAR: ANGULAR:				FINISH:		DEBUR AND BREAK SHARP EDGES		DO NOT SCALE DRAWING		REVISION	
DRAWN: Sklenarh								TITLE: CHASSIS/PODVOZEK CRX30			
CHK'D:								DWG NO. SVR00018AA			
APPV'D:								SCALE:1:20			
MFG:								SHEET 1 OF 1			
Q.A:								A3			
WEIGHT:											