
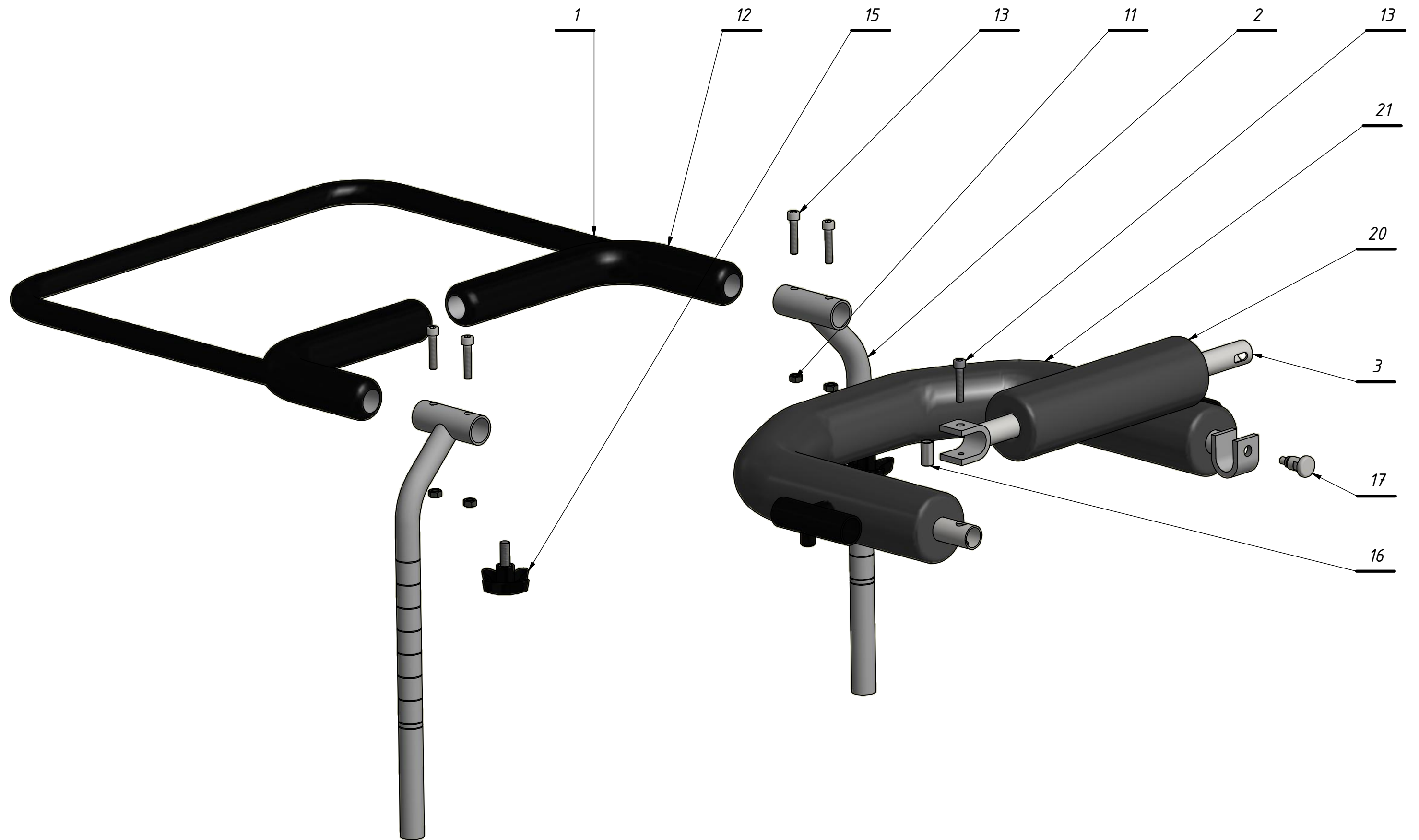
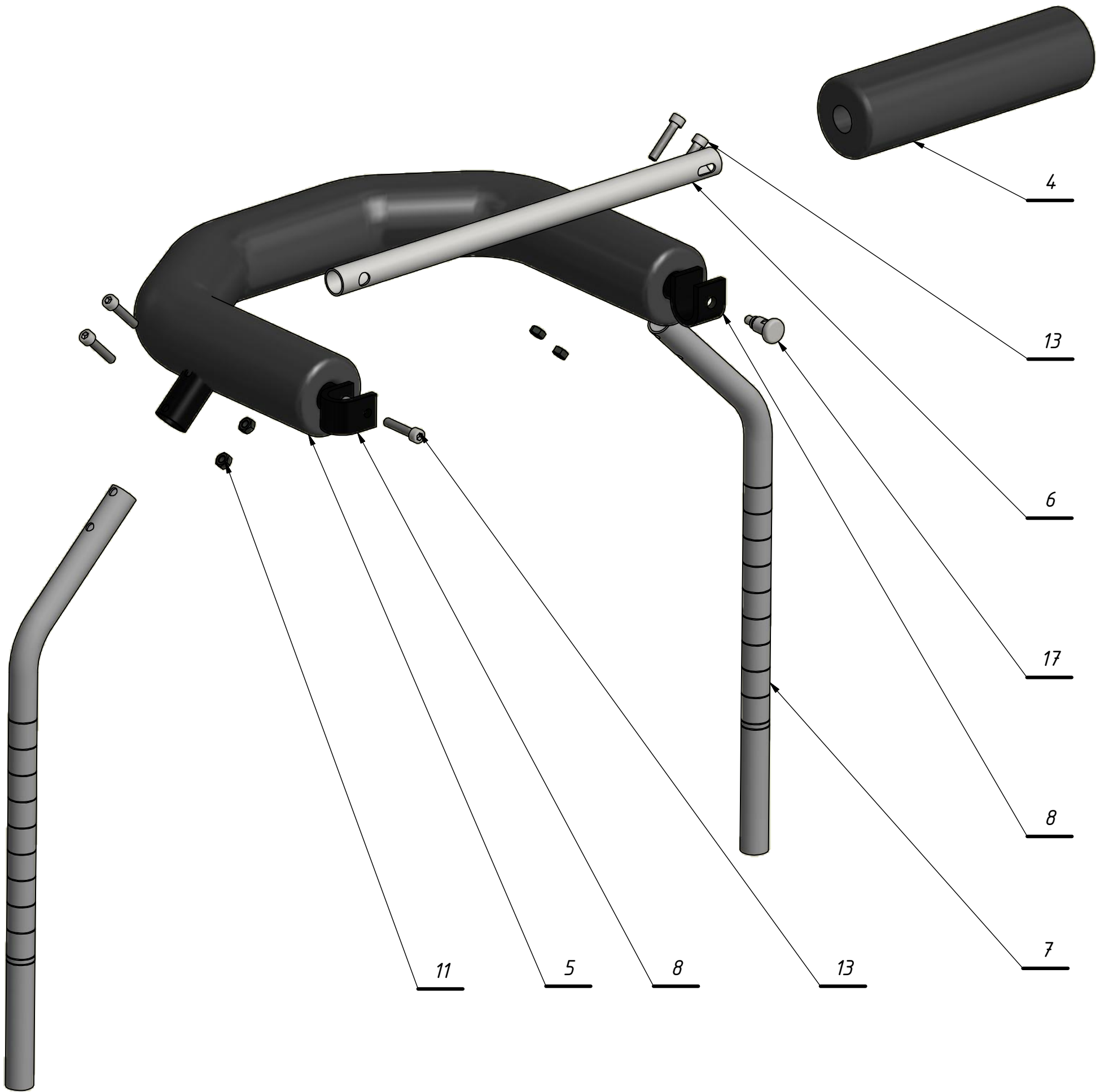


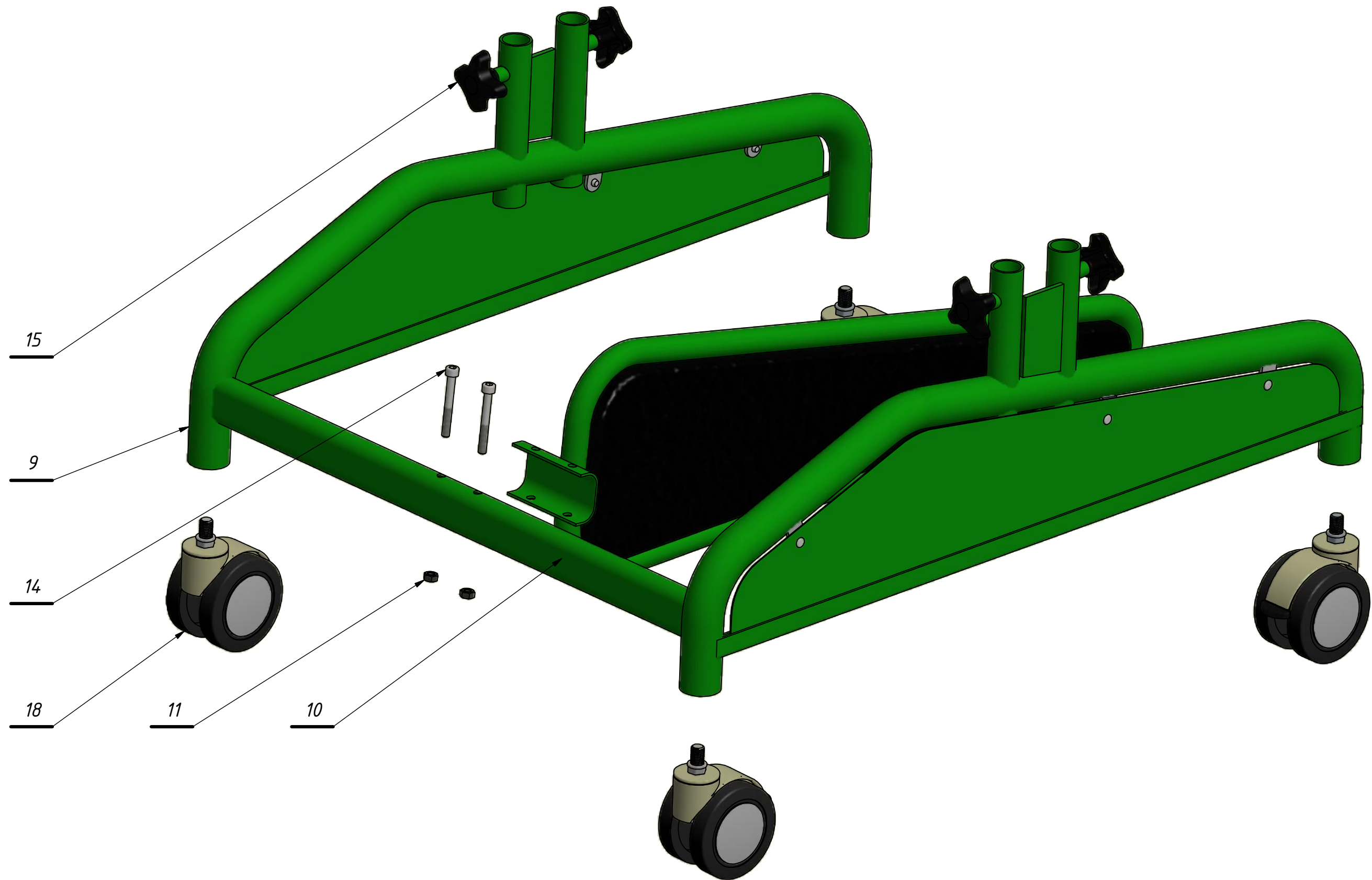
3	Base	1		AA-4.0300
2	Chest support	1		AA-4.0200
1	Hip support	1		AA-4.0100
Pos:	Title:		Pcs:	
4	Activall 4		1	
Sheet:	Scale:			
A3	1:5			
			AA-4.0000	




Pos:	Title:		Pcs:		
<b>4.1</b>	<b>Hip support</b>		<b>1</b>		
Sheet:	Scale:		<b>AKCESMED</b>		
<b>A3</b>	<b>1:3</b>				
			<b>AA-4.0100</b>		



Pos:	Title:		Pcs:		
<b>4.2</b>	<b>Chest support</b>		<b>1</b>		
Sheet:	Scale:		<b>AKCESMED</b>		
<b>A3</b>	<b>1:3</b>				
			<b>AA-4.0200</b>		



Pos:	Title:		Pcs:	
<b>4.3</b>	<b>Base</b>		<b>1</b>	
Sheet:	Scale:		 <b>AA-4.0300</b>	
<b>A3</b>	<b>1:4</b>			

Activall 4

1	Frame	1	Steel HC180	AA-4.0102-1
2	Bracket I	2	Steel OH18N9	AA-4.0103
3	Bracket II	1	Steel HC180	AA-4.0104
4	Round cushion	1	Polyurethane foam, imitation leather	Część18
5	Upholstery	1	Polyurethane foam, imitation leather	Część4
6	Bracket III	350,000 mm	Steel HC180	DIN 20 x 1,5 00000001
7	Bracket IV	925,697 mm	Steel OH18N9	DIN 20 x 1,5 00000005
8	Chest support	1	Steel HC180	AA-4.0252
9	Base	1	Steel HC180	AA-4.0300-1
10	Separator	1	Steel HC180, polyurethane foam, imitation leather, plywood	AA-4.0350
11	Hexagon nut M6- ISO 4032	10	Steel	ISO 4032 - M6
12	Foam lap	2	Polyurethane foam	Część10
13	Socket screw ISO 4762 - M6 x 30	10	Steel	ISO 4762 - M6 x 30
14	Socket screw ISO 4762 - M6 x 50	2	Steel	ISO 4762 - M6 x 50
15	Dial bolt Ø50xM8x20	6	Polyamide, Steel	SR5023M820S
16	Sleeve M6x1 l=8 mm	2	Galvanized steel	Tu M8x10x20
17	Lock M10	2	Steel	Z-10x1-B
18	Swede Wheel	4	Polyamide, polyurethane	Wheel-1175001GS-Swede-Wheel-STEP
19	Frame	1	Steel HC180	AA-4.0152
20	Round cushion	1	Polyurethane foam, imitation leather	Część17
21	Upholstery	1	Polyurethane foam, imitation leather	Część8