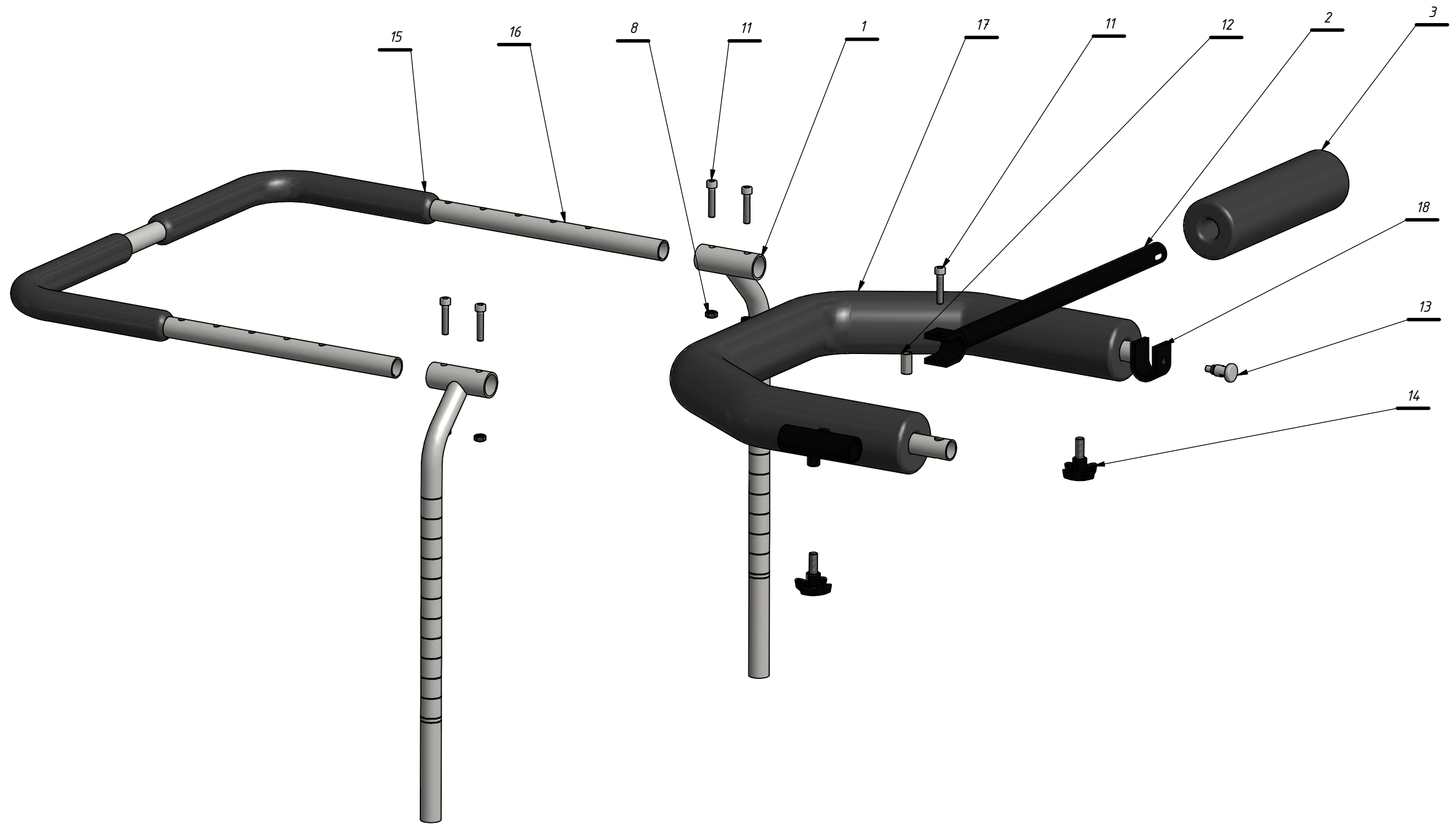
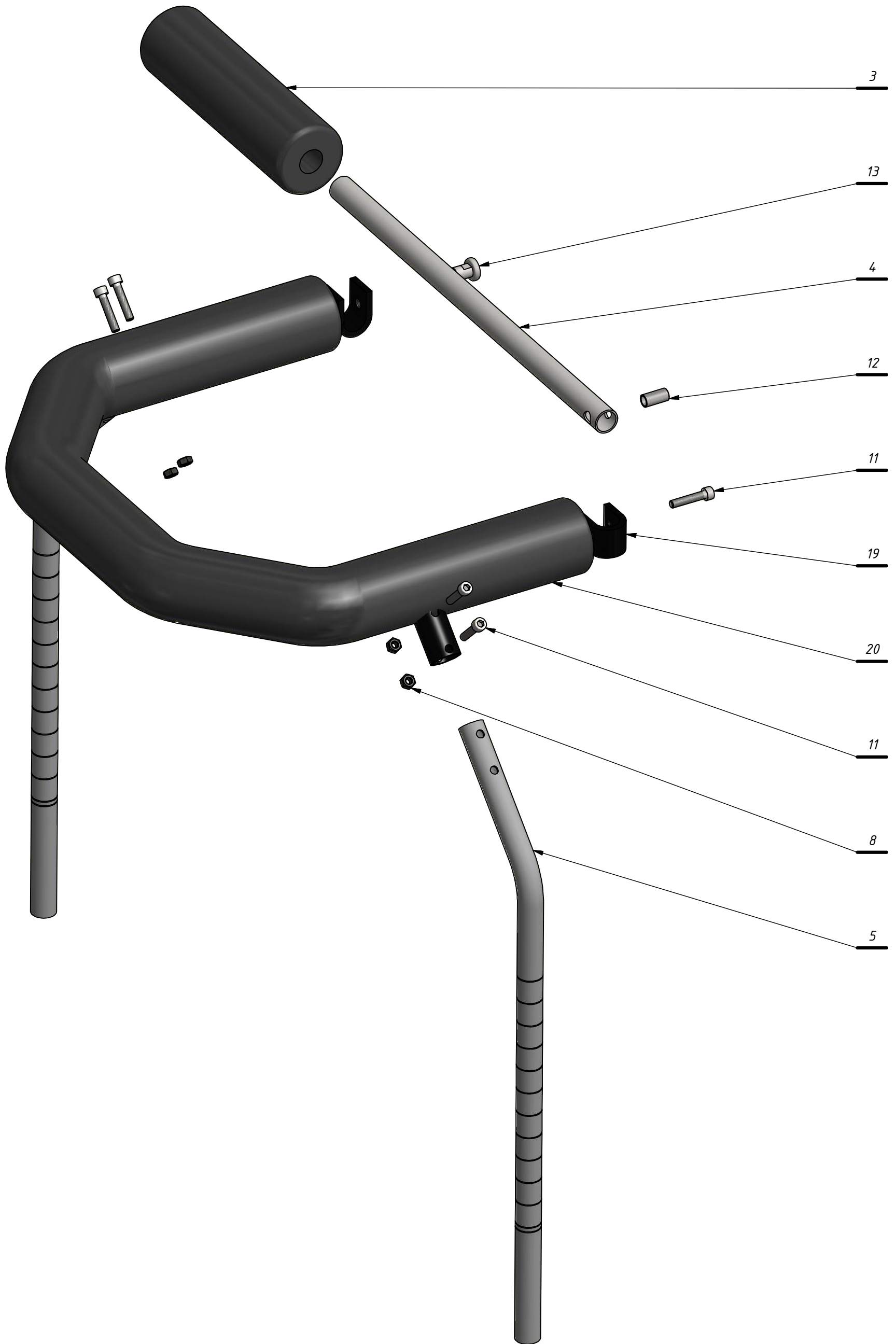



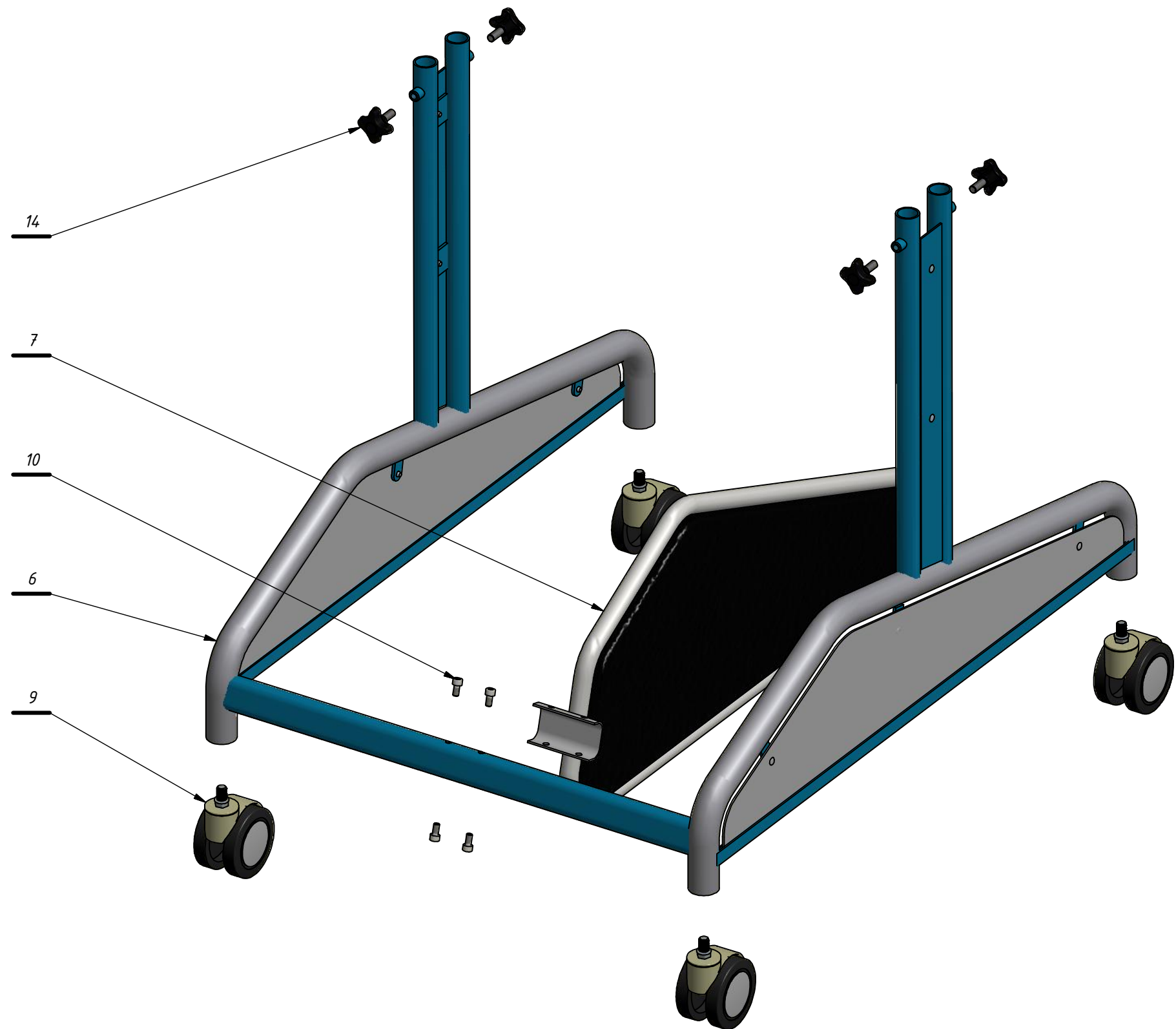
3	Base	1		AA-3.0300
2	Chest support	1		AA-3.0200
1	Hip support	1		AA-3.0100
Pos: 3	Title: <b>Activall 3</b>	Pcs: 1		
Sheet: A3	Scale: 1:6		<b>AKCESMED</b>	
			<b>AA-3.0000</b>	



Pos:	Title:		Pcs:		
<b>3.1</b>	<b>Hip support</b>		<b>1</b>		
Sheet:	Scale:		<b>AKCESMED</b>		
<b>A3</b>	<b>1:4</b>				
			<b>AA-3.0100</b>		



Pos:	Title:		Pcs:		
3.2	Chest support		1		
Sheet:	Scale:				
A3	1:3				
			AA-3.0200		



Pos:	Title:		Pcs:	
<b>3.3</b>	<b>Base</b>		<b>1</b>	
Sheet:	Scale:		<b>AKCESMED</b>	
<b>A3</b>	<b>1:5</b>			
			<b>AA-3.0300</b>	

### Activall 3

1	Bracket I	2	Steel OH18N9	AA-3.0103
2	Bracket II	1	Steel HC180	AA-3.0104
3	Round cushion	2	Polyurethane foam, imitation leather	AA-3.0110
4	Bracket III	400,000 mm	Steel HC180	AA-3.0203
5	Bracket IV	1071,084 mm	Steel OH18N9	AA-3.0204
6	Base	1	Steel HC180	AA-3.0300-1
7	Separator	1	Steel HC180, Polyurethane foam, imitation leather, plywood	AA-3.0350
8	Hexagon nut M6- ISO 4032	8	Steel	ISO 4032 - M6
9	Castor Swede Wheel	4	Polyamide, Polyurethane	1175001GS
10	Socket screw ISO 4762 - M6 x 12	4	Steel	ISO 4762 - M6 x 12
11	Socket screw ISO 4762 - M6 x 30	10	Steel	ISO 4762 - M6 x 30
12	Sleeve M6x1 l=8 mm	2	Steel	Tu M8x10x20
13	Lock M10	2	Steel	Z-10x1-B
14	Dial bolt Ø40xM8x20	6	Polyamide, Steel	SR4023M820S
15	Foam lap	2	Polyurethane foam	handl.
16	Frame II	1	Steel HC180	AA-3.0102-1
17	Upholstery	1	Polyurethane foam, imitation leather	AA-3.0151
18	Frame	1	Steel HC180	AA-3.0520
19	Chest support	1	Steel HC180	AA-3.0252
20	Upholstery	1	Polyurethane foam, imitation leather	AA-3.0251