
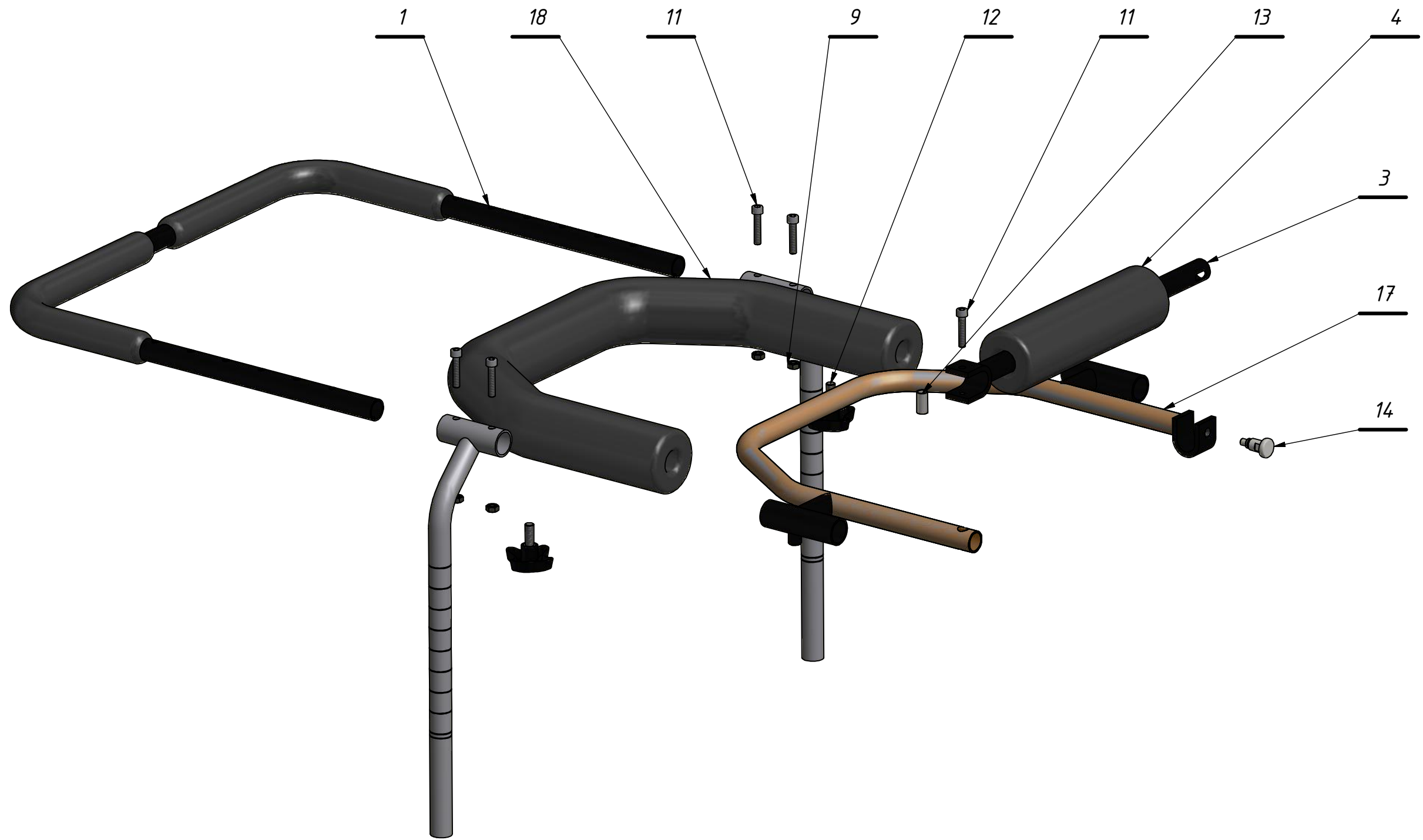
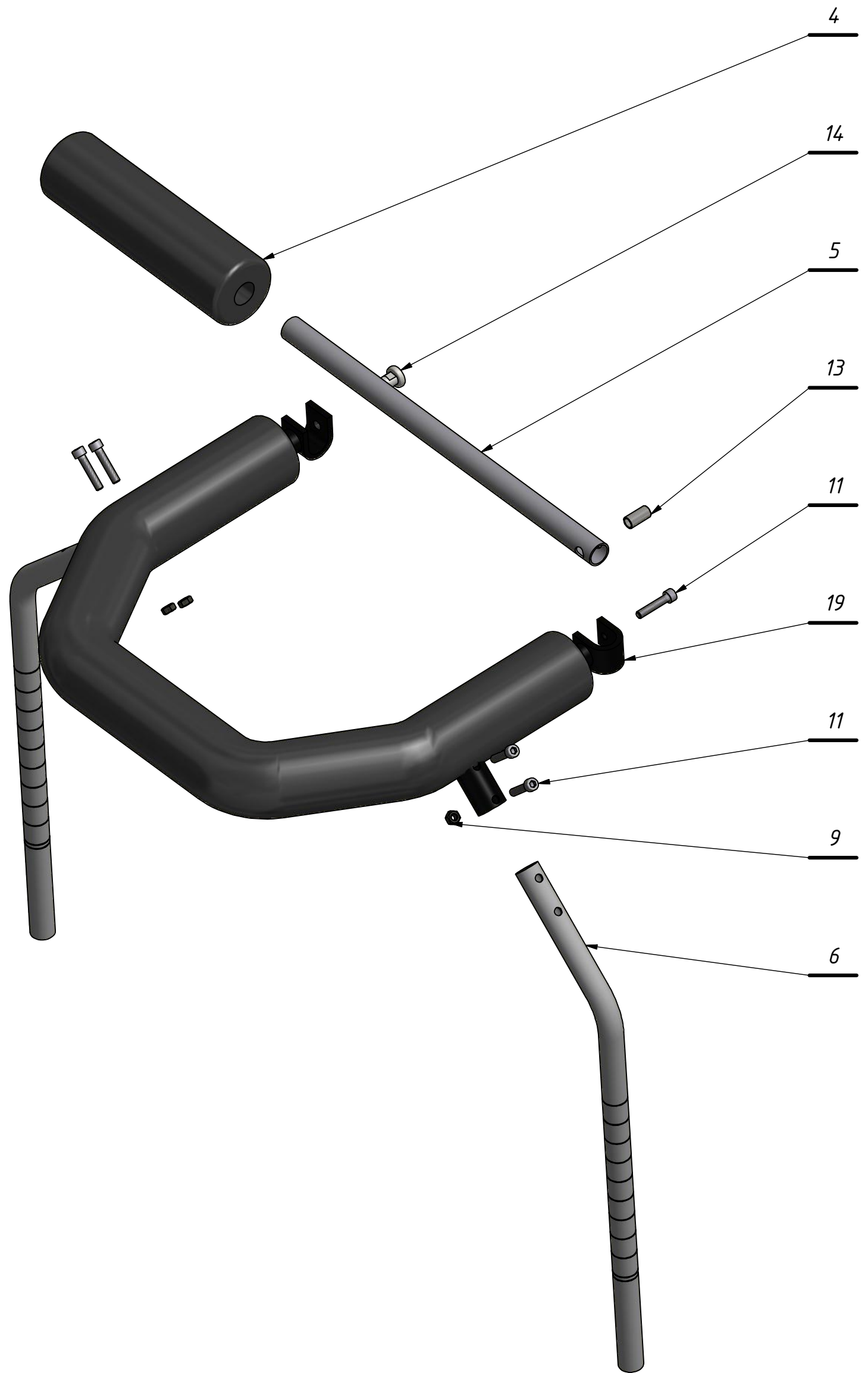


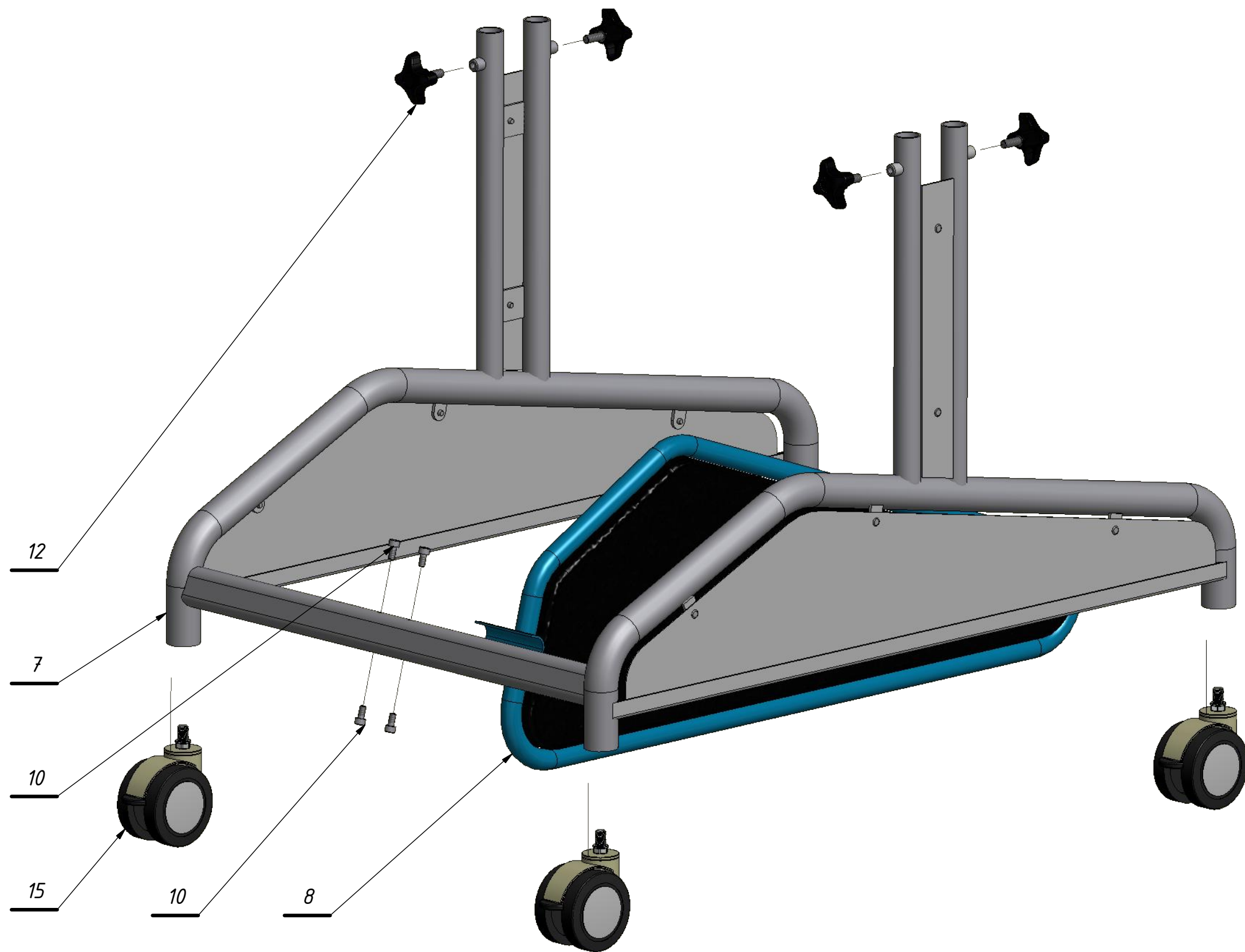
3	Base	1		AA-2.0300
2	Chest support	1		AA-2.0200
1	Hip support	1		AA-2.0100
Pos:	Title:		Pcs:	
2	Activall 2		1	
Sheet:	Scale:			
A3	1:6			
			AA-2.0000	



Pos:	Title:		Pcs:		
2.1	Hip support		1		
Sheet:	Scale:		AKCESMED		
A3	1:4				
			AA-2.0100		



Pos:	Title:		Pcs:	
2.2	Chest support		1	
Sheet:	Scale:		AKCES[®]MED	
A3	1:3,5			
			AA-2.0200	



Pos:	Title:		Pcs:	
2.3	Base		1	
Sheet:	Scale:		AKCESMED	
A3	1:4			
			AA-2.0300	

Activall 2

1	Frame	1	Steel HC180	AA-2.0102
2	Bracket I	2	Steel OH18N9	AA-2.0103
3	Bracket II	1	Steel HC180	AA-2.0104
4	Round cushion	2	Polyurethane foam, imitation leather	AA-2.0110
5	Bracket III	365,000 mm	Steel HC180	AA-2.0203
6	Bracket IV	992,266 mm	Steel OH18N9	AA-2.0204
7	Base	1	Steel HC180	AA-2.0300-1
8	Separator	1	Steel HC180, Polyurethane foam, imitation leather, plywood	AA-2.0350
9	Hexagon nut M6- ISO 4032	8	Steel	ISO 4032 - M6
10	Socket screw ISO 4762 - M6 x 12	4	Steel	ISO 4762 - M6 x 12
11	Socket screw ISO 4762 - M6 x 30	10	Steel	ISO 4762 - M6 x 30
12	Dial bolt Ø50xM8x20	6	Polyamide, Steel	SR5023M820S
13	Sleeve M6x1 l=8 mm	2	Steel	Tu M8x10x20
14	Lock M10	2	Steel	Z-10x1-B
15	Castor Swede Wheel	4	Polyamide, Polyurethane	1175001GS
16	Foam lap	2	Polyurethane foam	AA-2.0102-2
17	Frame	1	Steel HC180	AA-2.0152
18	Upholstery	1	Polyurethane foam, imitation leather	AA-2.0151
19	Chest support	1	Steel HC180	AA-2.0252
20	Upholstery	1	Polyurethane foam, imitation leather	AA-2.0251